



US00D909042S

(12) **United States Design Patent** (10) **Patent No.:** **US D909,042 S**
Holbrook et al. (45) **Date of Patent:** **** Feb. 2, 2021**

(54) **UMBRELLA HUB SYSTEM**

Primary Examiner — Steven J Czyz

(71) Applicants: **Richard Holbrook**, Pasadena, CA
(US); **Darren Mark**, Pasadena, CA
(US)

(74) *Attorney, Agent, or Firm* — Todd R. Miller

(72) Inventors: **Richard Holbrook**, Pasadena, CA
(US); **Darren Mark**, Pasadena, CA
(US)

(57) **CLAIM**

The ornamental design for an umbrella hub system, as shown and described.

(**) **Term:** **15 Years**

DESCRIPTION

(21) Appl. No.: **29/738,806**

(22) Filed: **Jun. 19, 2020**

(51) **LOC (13) Cl.** **03-03**

(52) **U.S. Cl.**
USPC **D3/10**

(58) **Field of Classification Search**
USPC D3/5, 6, 10

(Continued)

(56) **References Cited**

U.S. PATENT DOCUMENTS

1,712,430 A * 5/1929 Giszczynski A45B 25/06
135/39
2,136,569 A * 11/1938 Trimpi A45B 25/06
135/41

(Continued)

FOREIGN PATENT DOCUMENTS

EP 1654952 5/2006
EP 2845509 3/2015

(Continued)

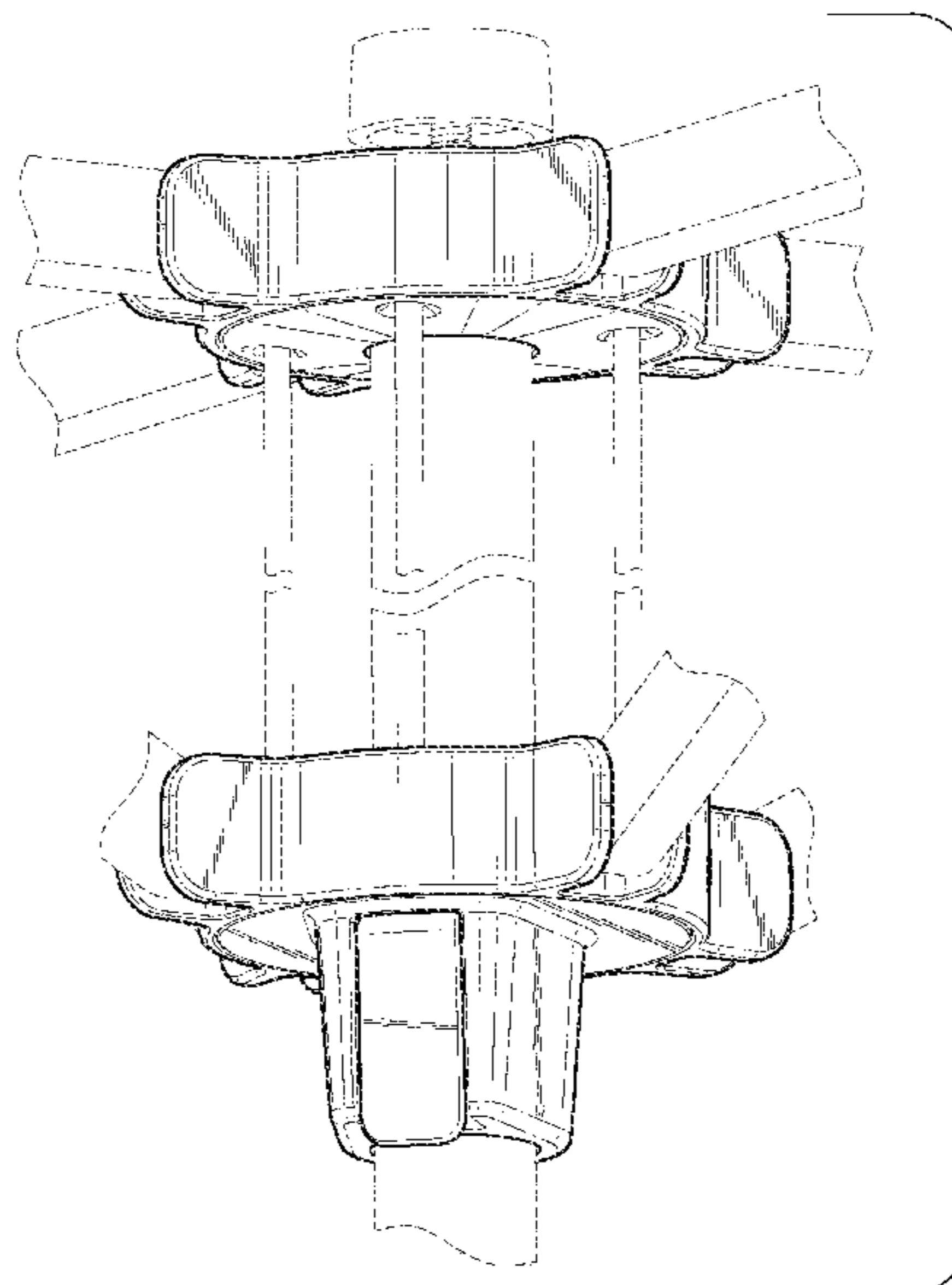
OTHER PUBLICATIONS

umbrosa.be/en, Feb. 13, 2020, Internet printout: <https://www.umbrosa.be/en>.

(Continued)

FIG. 1 is a perspective view of an umbrella hub system;
FIG. 2 is a front view thereof;
FIG. 3 is a right side view thereof, with the left side being a mirror image thereof;
FIG. 4 is a rear view thereof;
FIG. 5 is a top view thereof;
FIG. 6 is a bottom view thereof;
FIG. 7 is a bottom perspective view of the top hub of the umbrella hub system, shown separate for ease of disclosure;
FIG. 8 is a top perspective view thereof;
FIG. 9 is a front view thereof, with the rear, right, and left sides being a mirror image thereof;
FIG. 10 is a top view thereof;
FIG. 11 is a bottom view thereof;
FIG. 12 is another perspective view of the top hub of the umbrella hub system, shown in use with environment;
FIG. 13 is a top perspective view of the bottom hub of the umbrella hub system, shown separate for ease of disclosure;
FIG. 14 is a front view thereof;
FIG. 15 is a right side view thereof, with the left side view being a mirror image thereof;
FIG. 16 is a rear view thereof;
FIG. 17 is a top view thereof;
FIG. 18 is a bottom view thereof; and,
FIG. 19 is another perspective view of the bottom hub of the umbrella hub system, shown in use with environment.
The broken lines depict portions of the article and environment that form no part of the claimed design.

1 Claim, 18 Drawing Sheets



(58) **Field of Classification Search**
 CPC .. A45B 9/00; A45B 9/02; A45B 17/00; A45B
 19/00; A45B 19/08; A45B 23/00; A45B
 2023/0012; A45B 2023/0031; A45B
 2023/0037; A45B 2023/0043; A45B
 25/02; A45B 25/06; A45B 25/10
 See application file for complete search history.

(56) **References Cited**

U.S. PATENT DOCUMENTS

2,635,616 A * 4/1953 Haydu A45B 25/06
 135/28
 2,722,228 A * 11/1955 Sobotka A45B 25/06
 135/28
 2,779,345 A * 1/1957 Keller A45B 25/06
 135/28
 3,258,021 A * 6/1966 Tartaglia A45B 25/06
 135/43
 3,318,319 A * 5/1967 Evans, Jr. A45B 25/06
 135/43
 3,856,032 A * 12/1974 Schafer A45B 25/06
 135/28
 D279,834 S * 7/1985 Falzett D3/10
 4,567,907 A 2/1986 Dubinsky
 5,911,233 A * 6/1999 Wu A45B 25/08
 135/28
 6,311,706 B1 * 11/2001 Sato A45B 25/06
 135/28
 6,325,084 B1 * 12/2001 Cohen A45B 3/00
 135/16
 6,354,042 B1 * 3/2002 Kuo A45B 25/06
 52/28
 6,371,141 B1 * 4/2002 Lin A45B 25/08
 135/28
 D475,524 S 6/2003 Clarke
 D503,272 S * 3/2005 Machin D3/10
 D513,118 S 12/2005 Browne
 D526,476 S 8/2006 Browne
 7,178,535 B2 2/2007 Eder
 7,281,542 B2 * 10/2007 Ko A45B 25/06
 135/39
 7,318,444 B2 * 1/2008 Clarke A45B 25/06
 135/28
 D609,453 S 2/2010 Liu
 D626,324 S * 11/2010 Ma D3/10
 7,861,734 B2 * 1/2011 Ma F16G 11/103
 135/28
 7,900,643 B2 * 3/2011 Ma E04H 15/28
 135/28
 8,061,375 B2 * 11/2011 Ma A45B 25/02
 135/28

8,166,986 B2 * 5/2012 Ma A45B 25/02
 135/19.5
 8,230,869 B2 * 7/2012 Vanderminde, Sr. A45B 19/00
 135/31
 8,356,613 B2 * 1/2013 Ma F16G 11/105
 135/37
 8,393,340 B2 * 3/2013 Tung A45B 17/00
 135/15.1
 8,424,547 B1 * 4/2013 Ma A45B 25/08
 135/40
 8,555,905 B2 * 10/2013 Ma F16G 11/103
 135/28
 D719,343 S * 12/2014 Ma D3/5
 D731,166 S * 6/2015 Ma D3/5
 9,078,497 B2 * 7/2015 Ma A45B 25/10
 D738,609 S * 9/2015 Ma D3/5
 9,498,030 B2 * 11/2016 Ma A45B 25/06
 D782,179 S * 3/2017 Ma D3/5
 D813,524 S 3/2018 To
 D813,525 S * 3/2018 Ma D3/10
 D814,173 S * 4/2018 Ma D3/10
 D833,137 S * 11/2018 Ma D3/10
 D838,099 S * 1/2019 Kaufmann D3/10
 D847,487 S * 5/2019 Ma D3/10
 10,492,579 B1 * 12/2019 Volin A45B 23/00
 10,631,603 B2 * 4/2020 Ma A45B 25/02
 10,736,390 B2 * 8/2020 Ma A45B 25/06
 2006/0102215 A1 * 5/2006 Eder A45B 25/10
 135/29
 2007/0062565 A1 * 3/2007 Clarke A45B 25/22
 135/16

FOREIGN PATENT DOCUMENTS

EP 2223624 7/2015
 EP 2774503 4/2017

OTHER PUBLICATIONS

tuuci.com, Feb. 13, 2020, Internet printout: <https://www.tuuci.com/>.
 tuuci.com, Feb. 13, 2020, Internet printout: <https://www.tuuci.com/collections/parasols/>.
 tropitone.com, Feb. 13, 2020, Internet printout: <https://www.tropitone.com/outdoor-furniture/commercial/product-collection/basta-sole-umbrellas-cabanas>.
 shademakerusa.com, Feb. 13, 2020, Internet printout: <https://www.shademakerusa.com/#sirius>.
 janusetcie.com, Feb. 13, 2020, Internet printout: <https://www.janusetcie.com/residential/collections/#eT7h6m12>.
 janusetcie.com, Feb. 13, 2020, Internet printout: <https://www.janusetcie.com/residential/collections/#FmvmBij3>.

* cited by examiner

FIG. 1

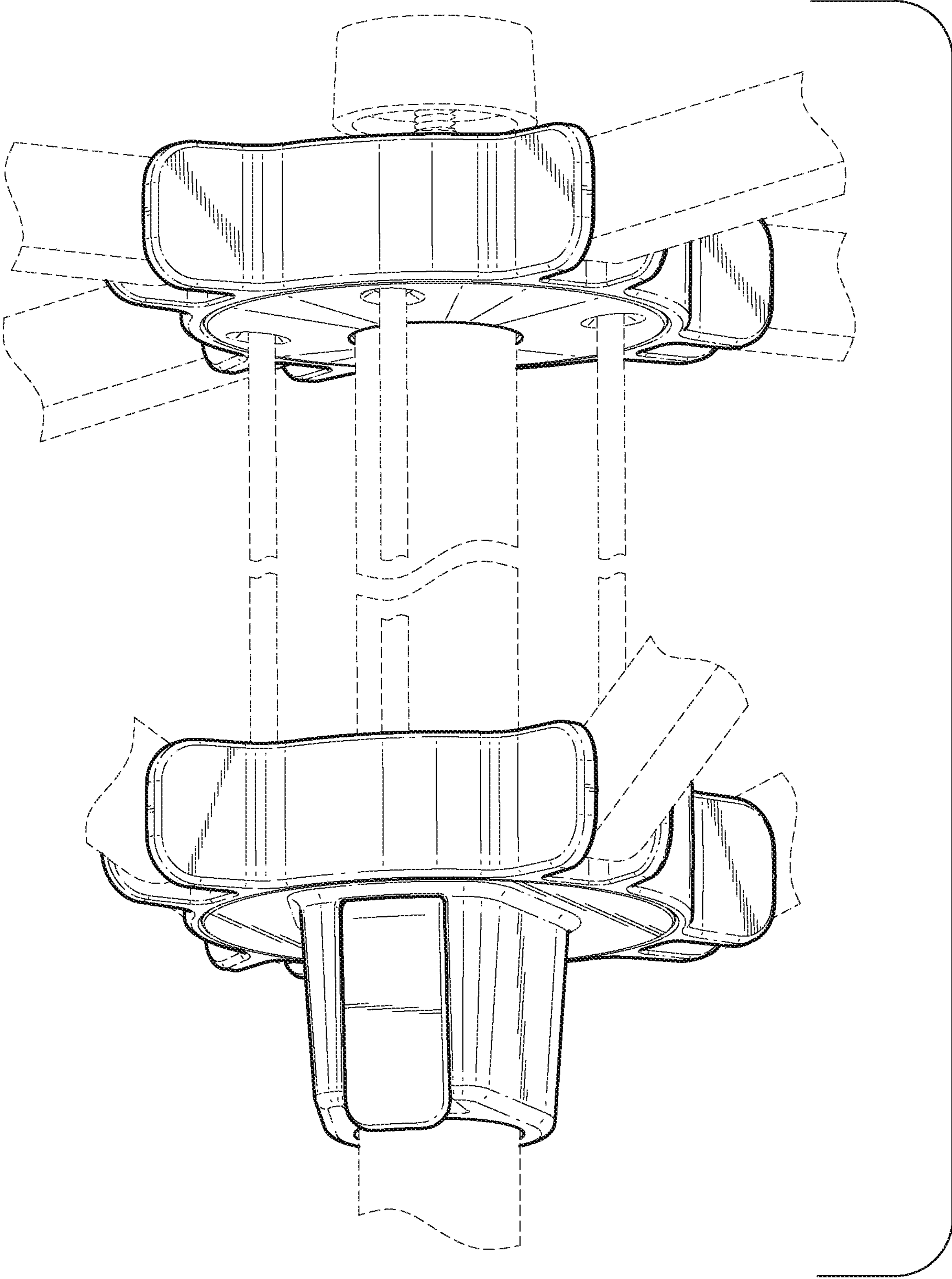


FIG. 2

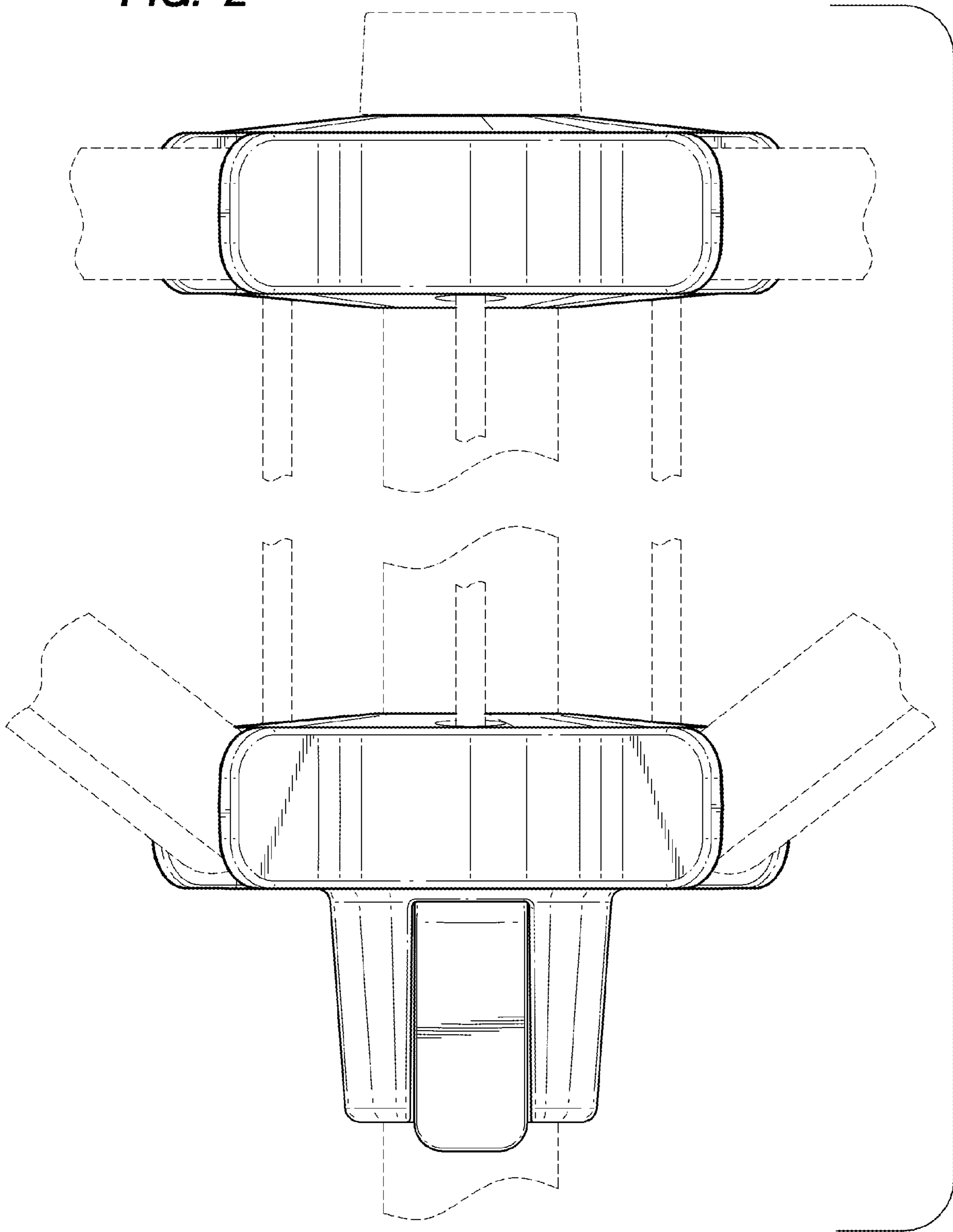


FIG. 3

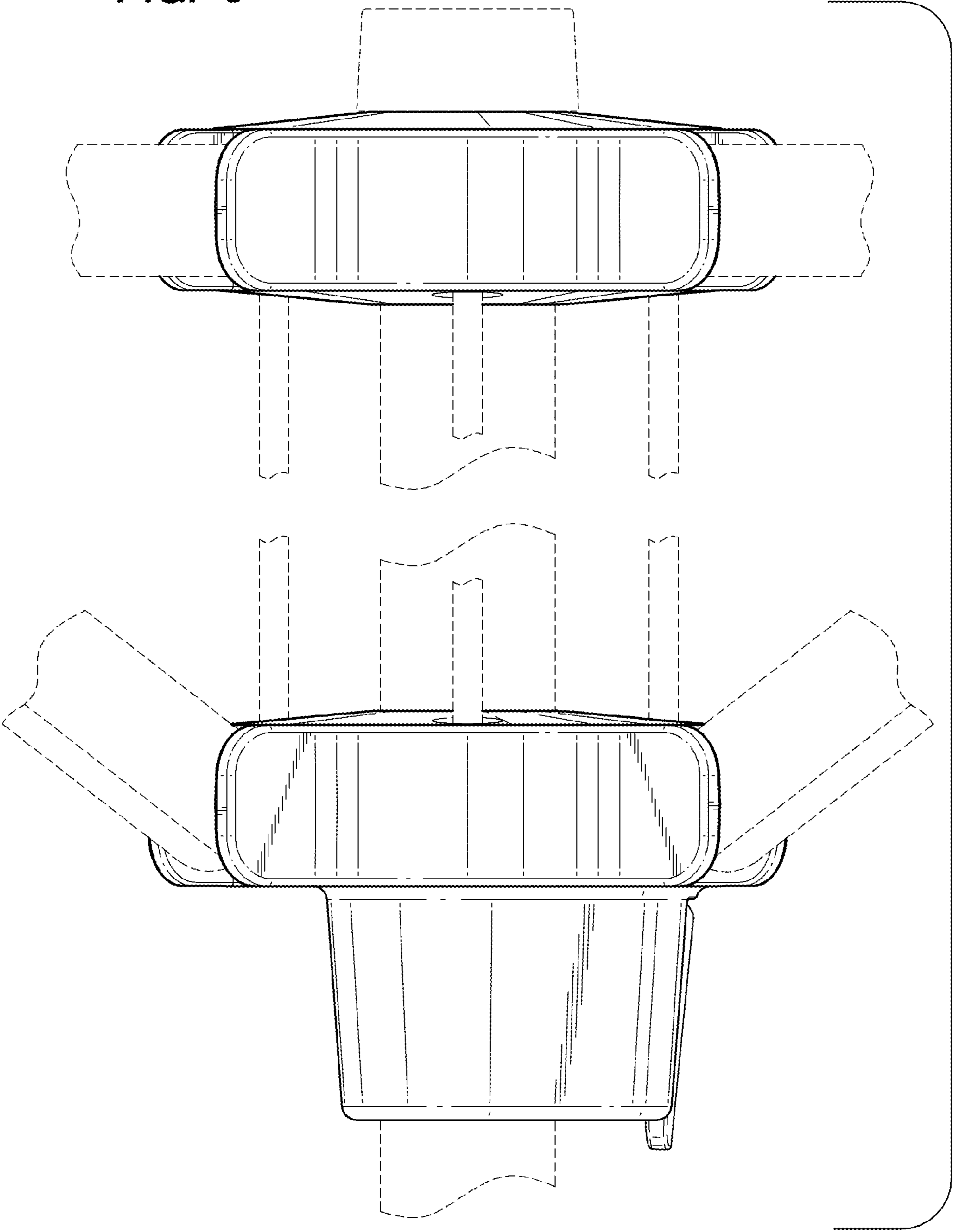


FIG. 4

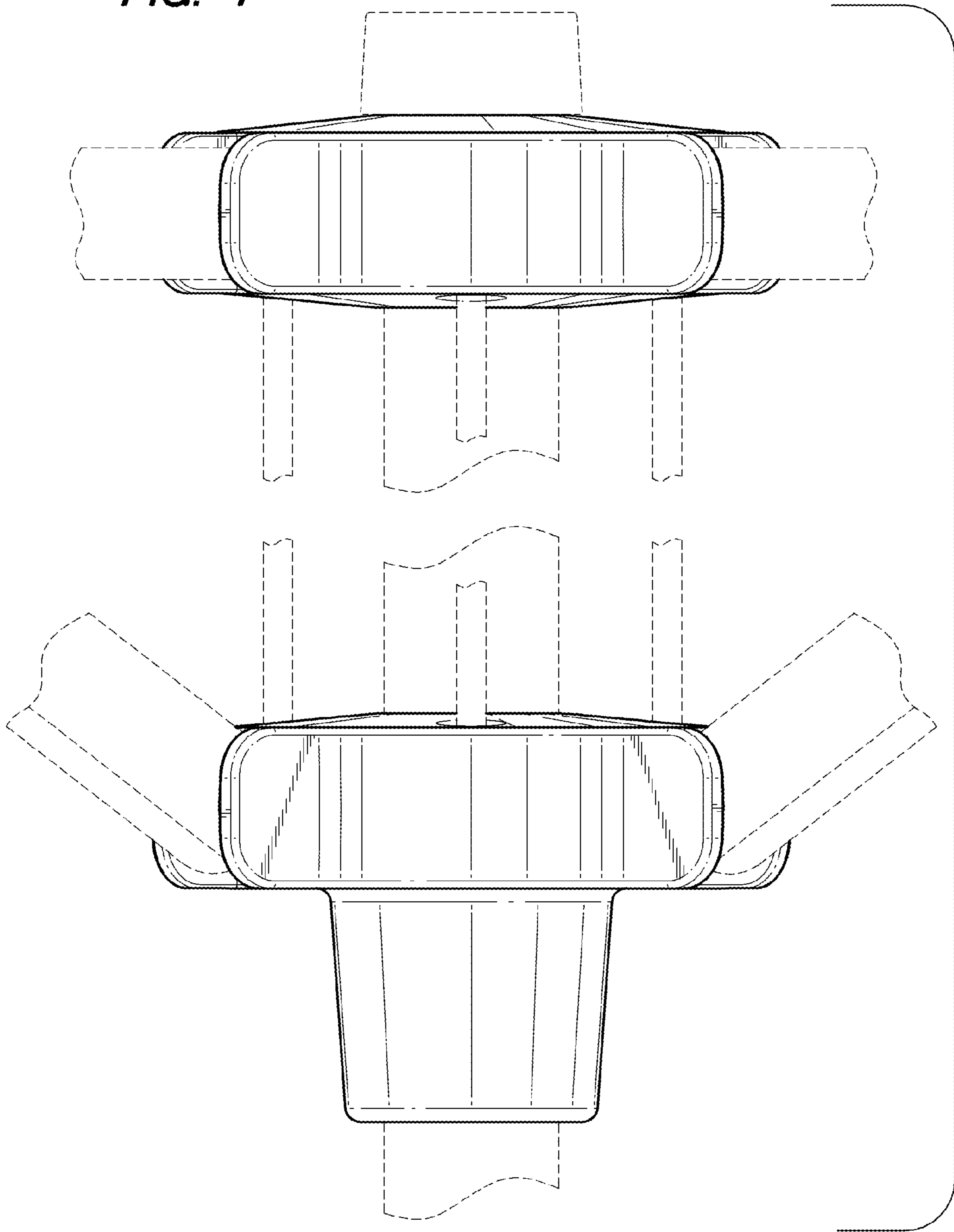


FIG. 5

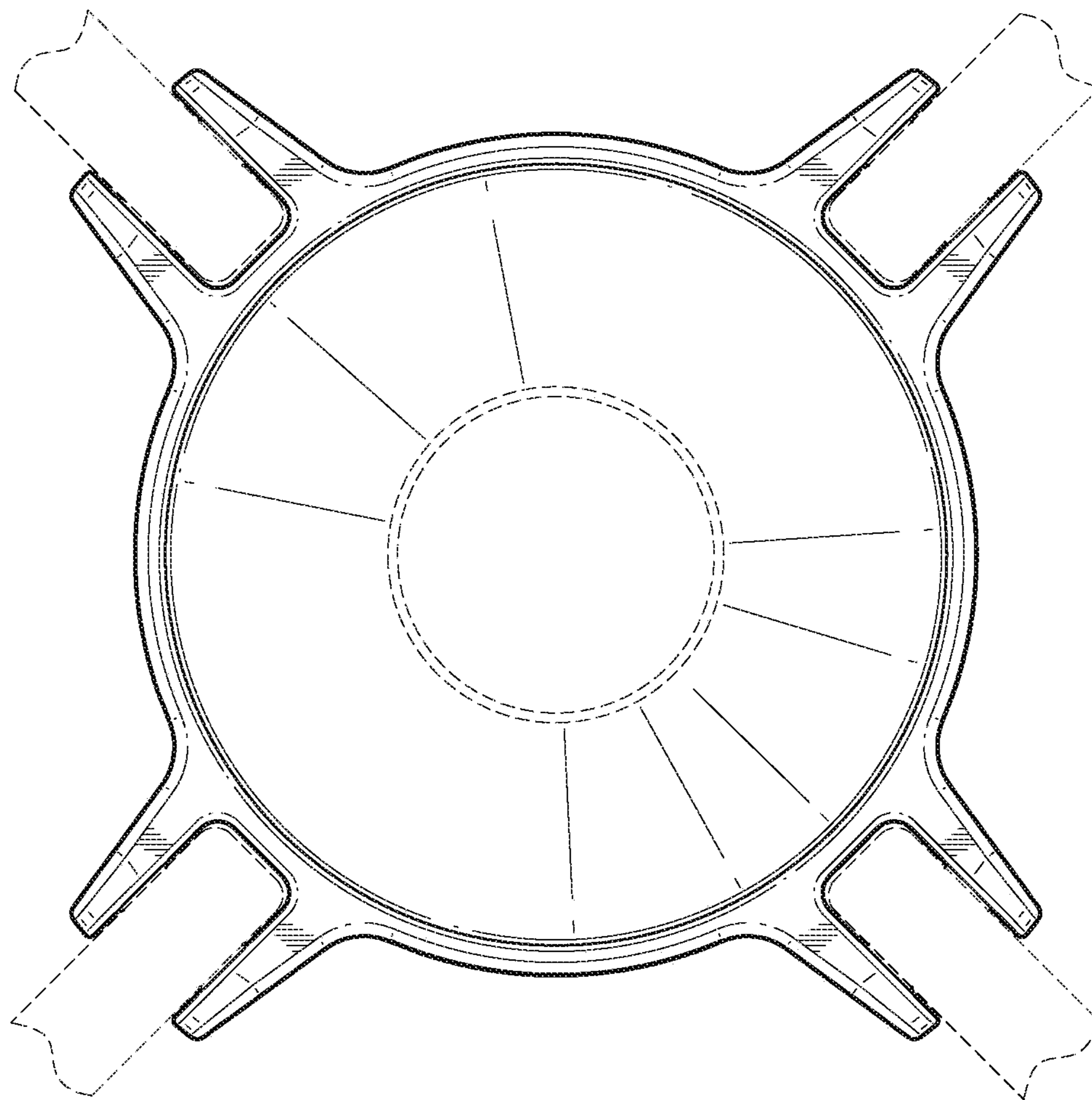


FIG. 6

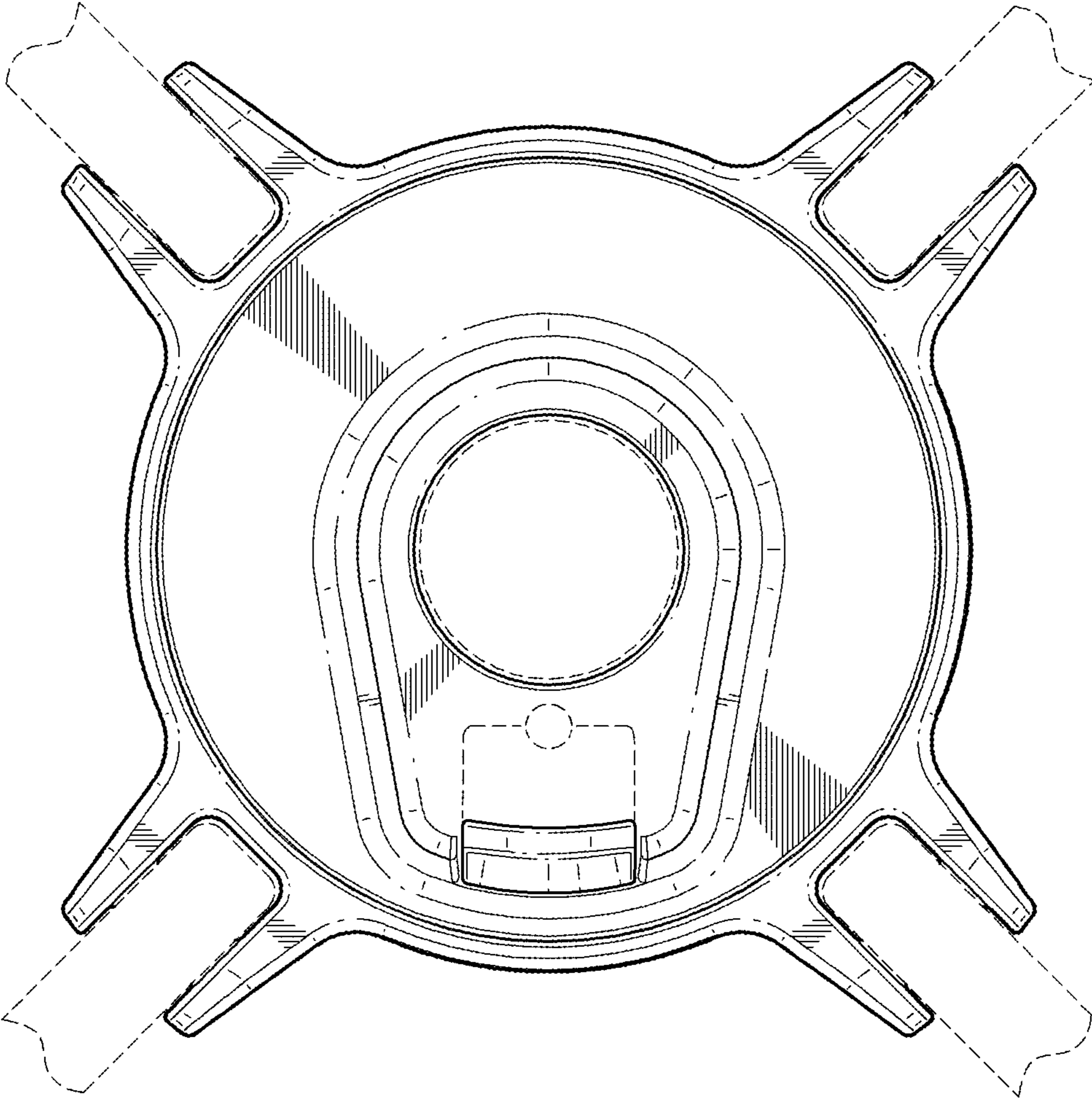


FIG. 7

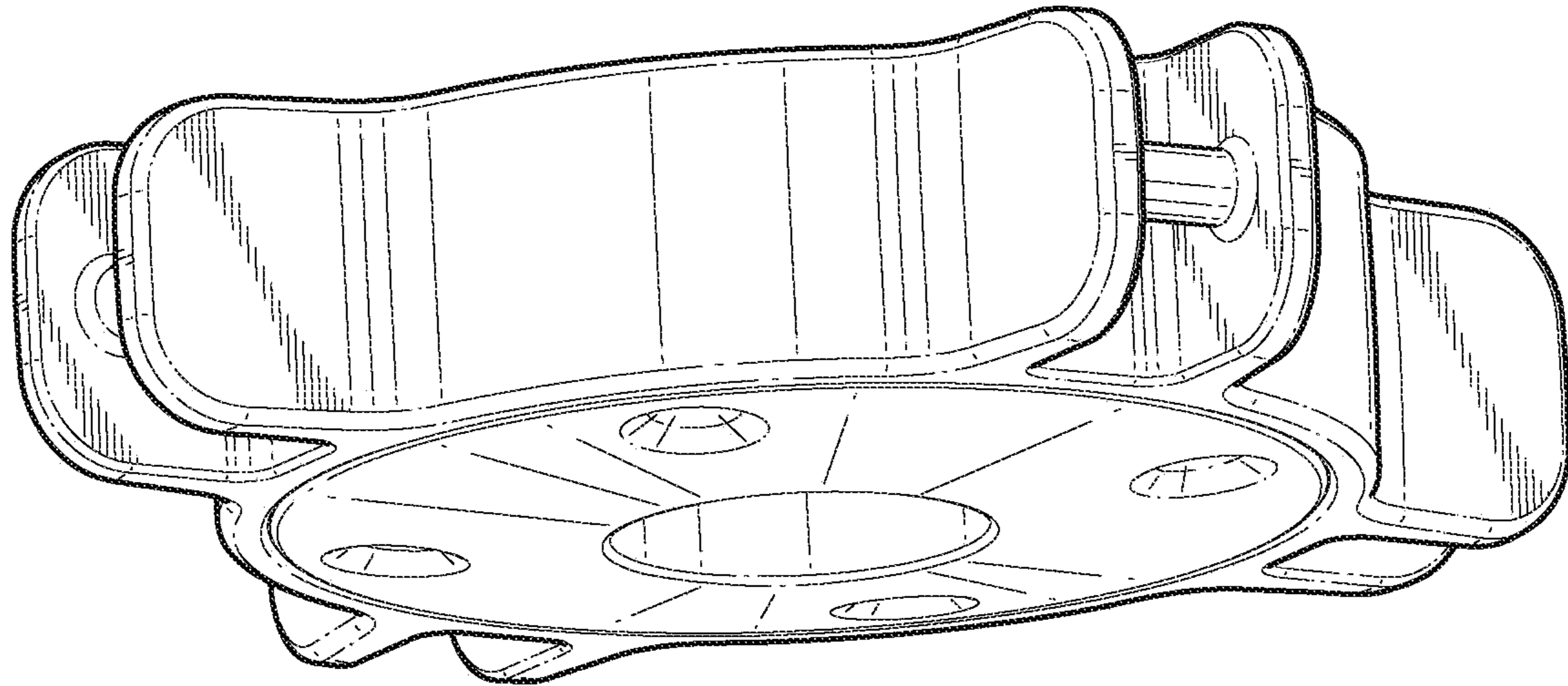


FIG. 8

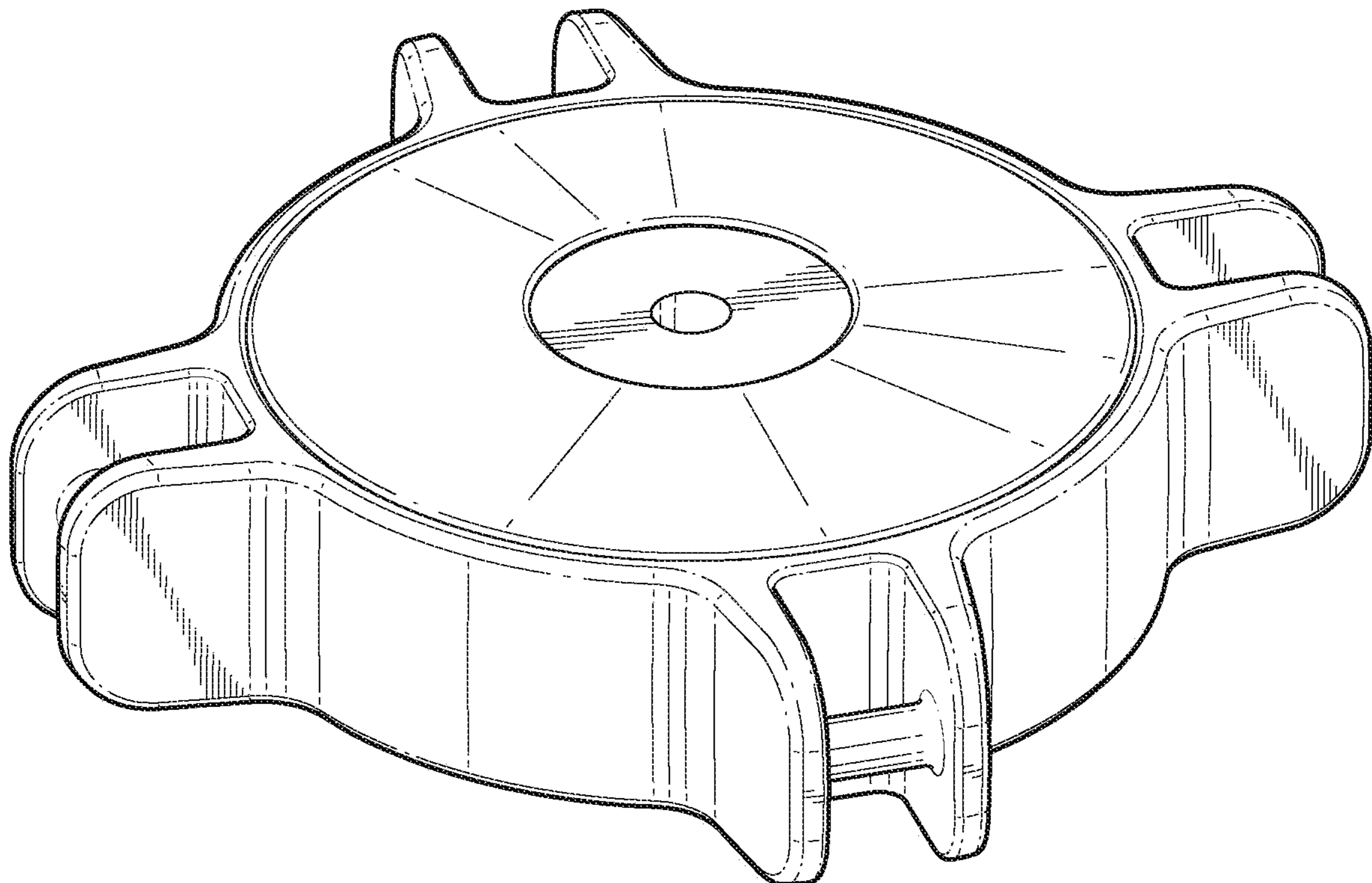


FIG. 9

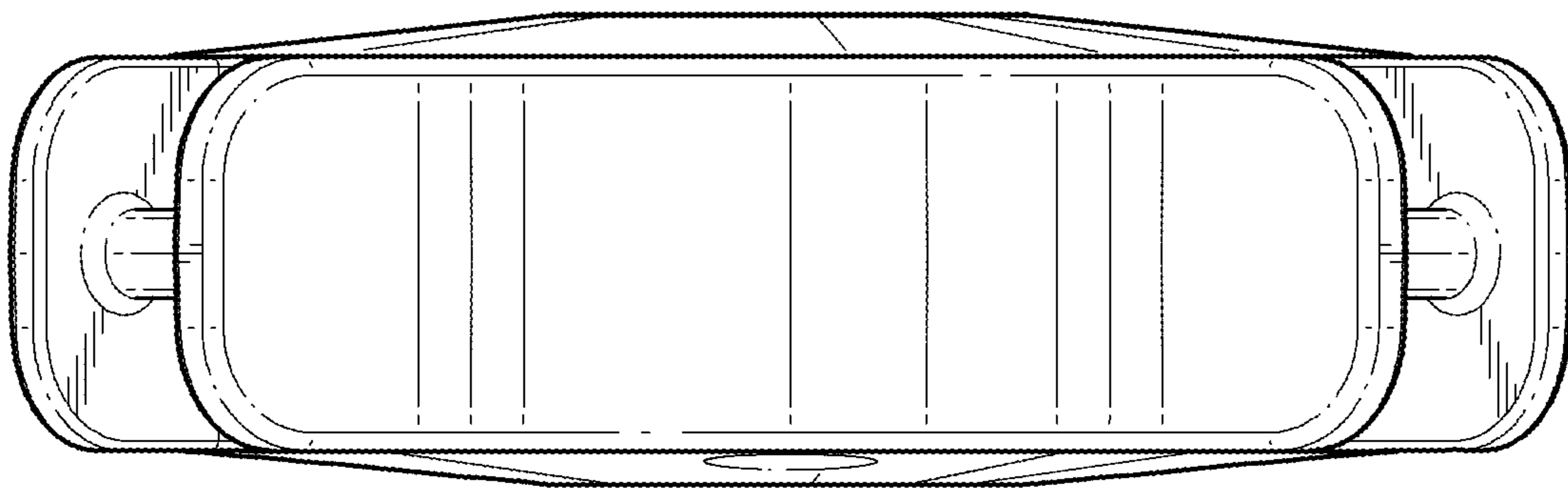


FIG. 10

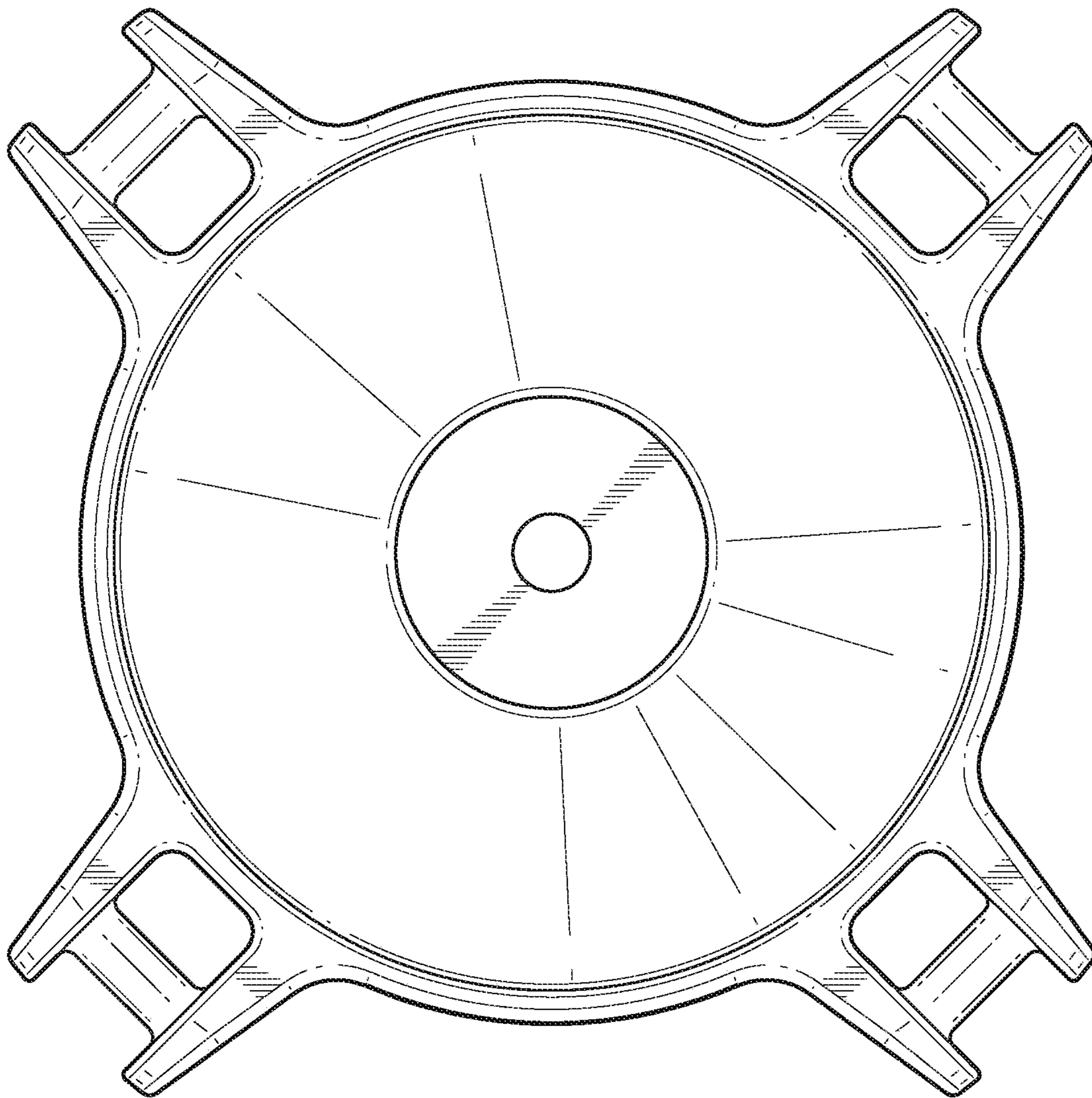


FIG. 11

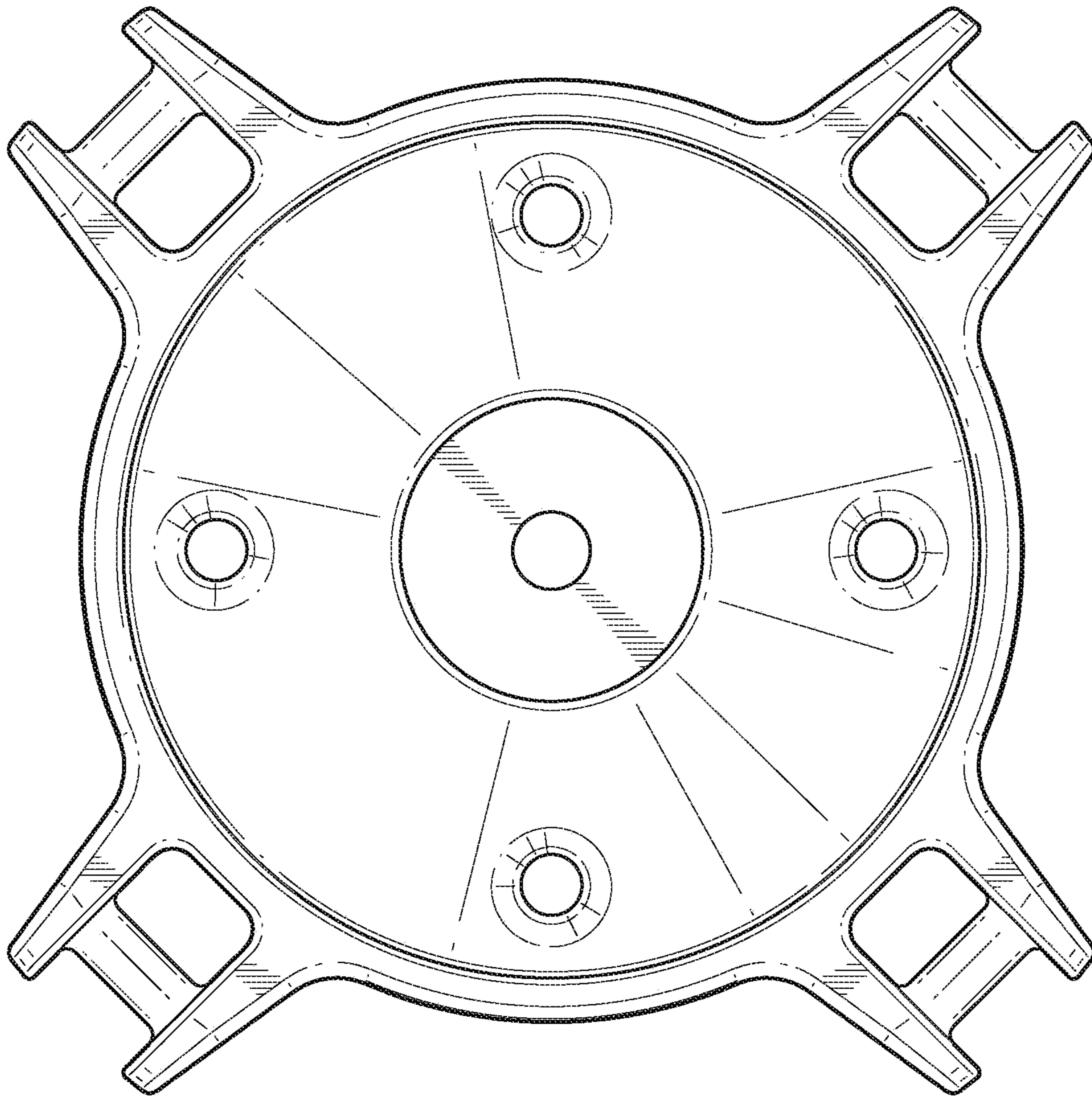


FIG. 12

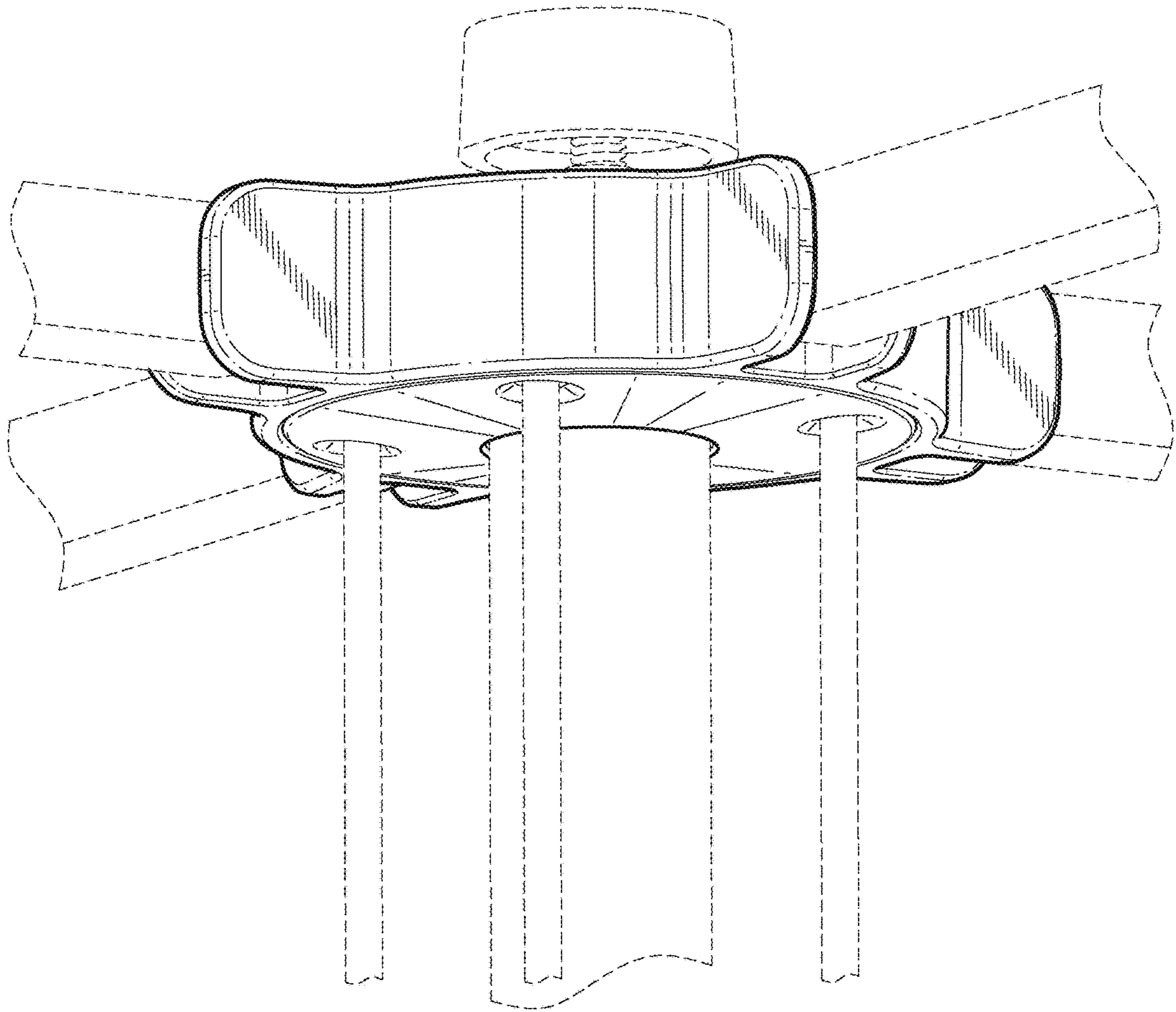


FIG. 13

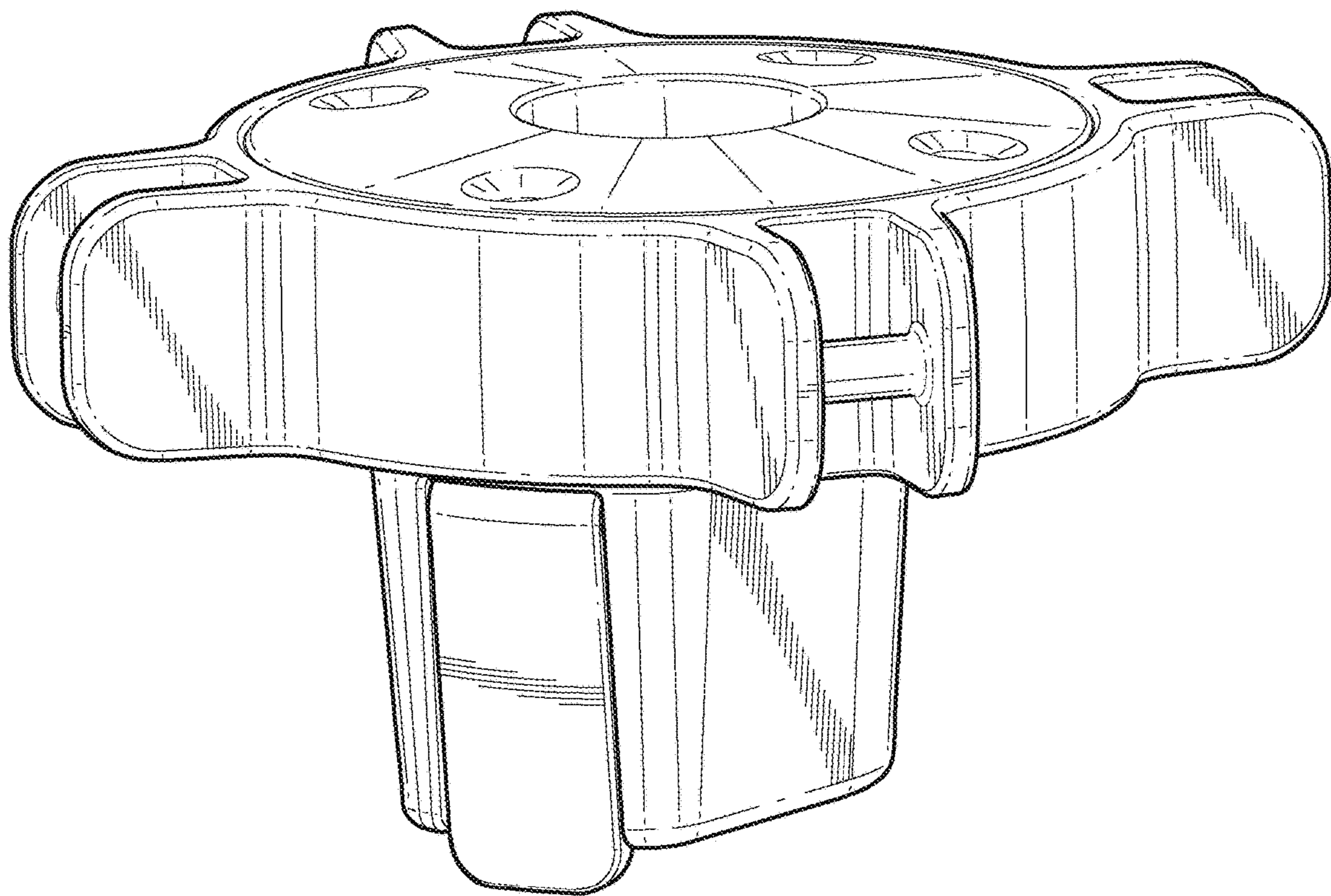


FIG. 14

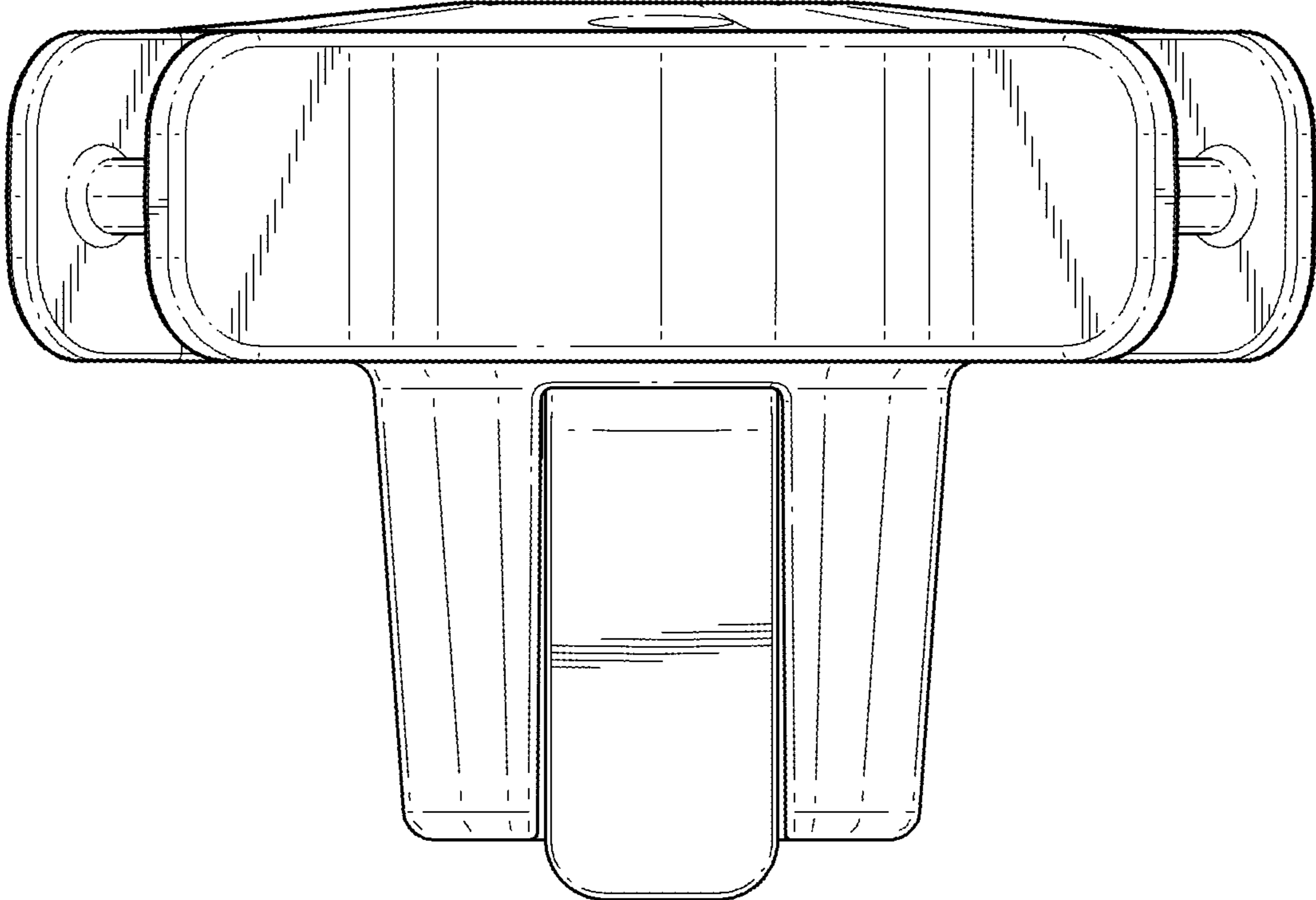


FIG. 15

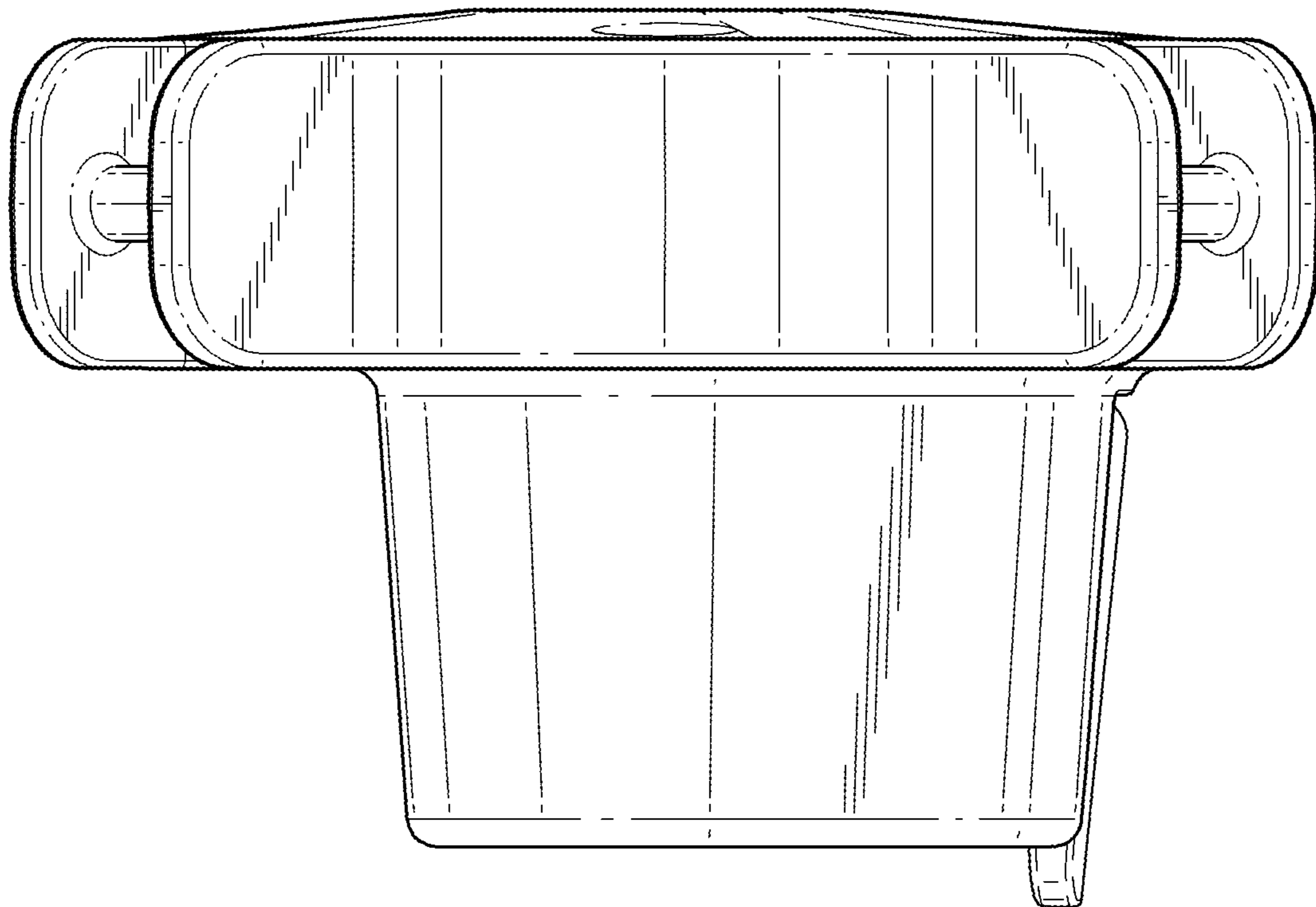


FIG. 16

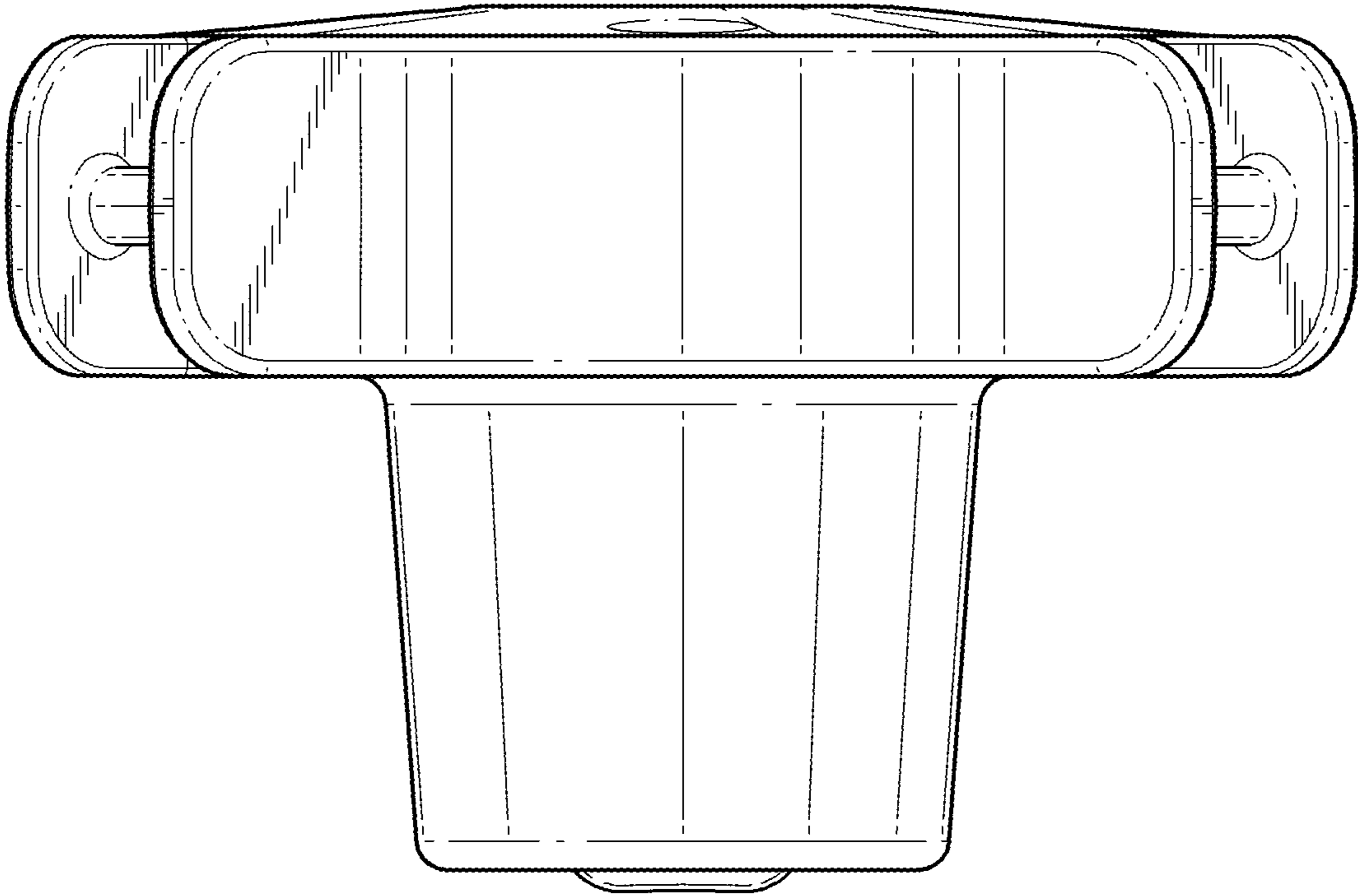


FIG. 17

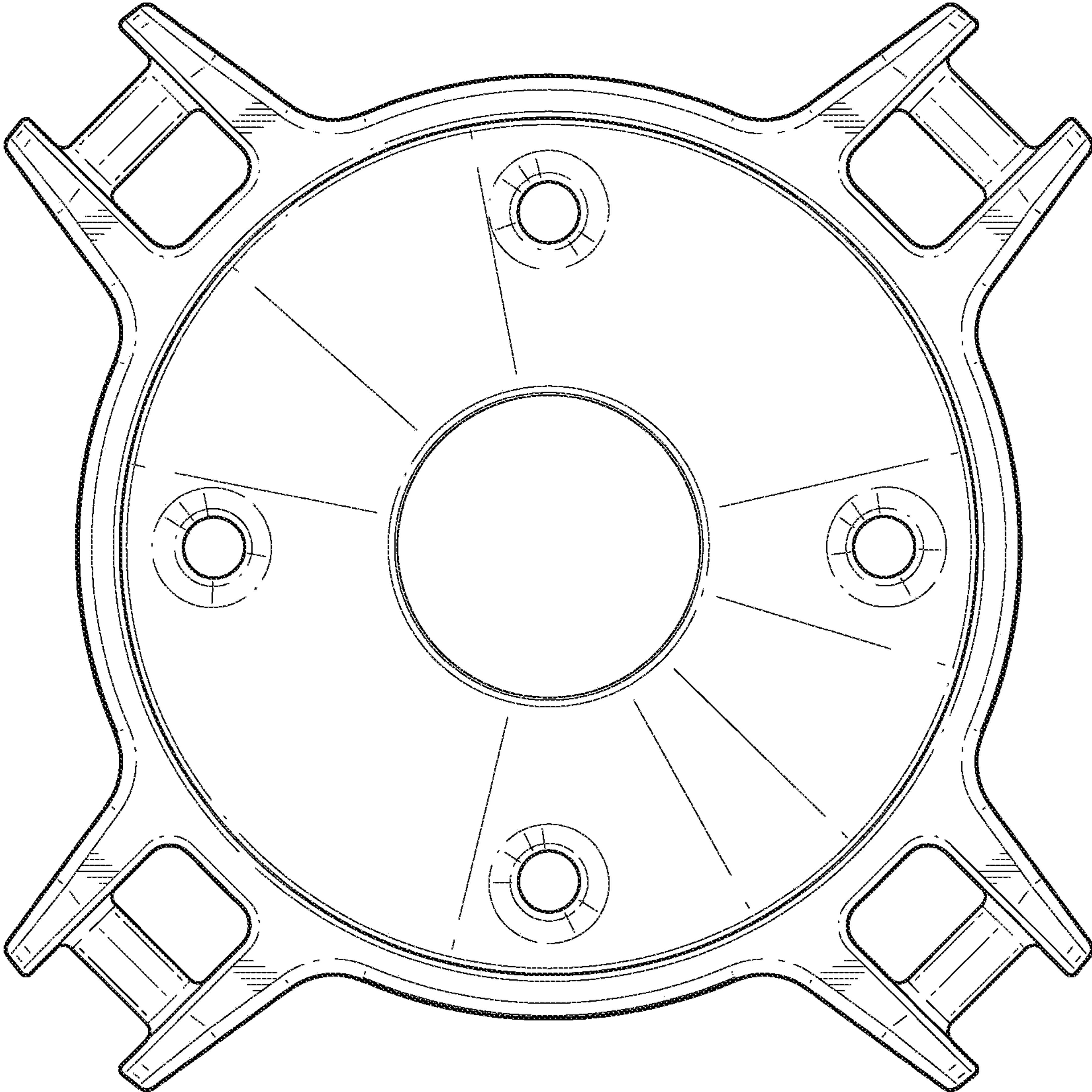


FIG. 18

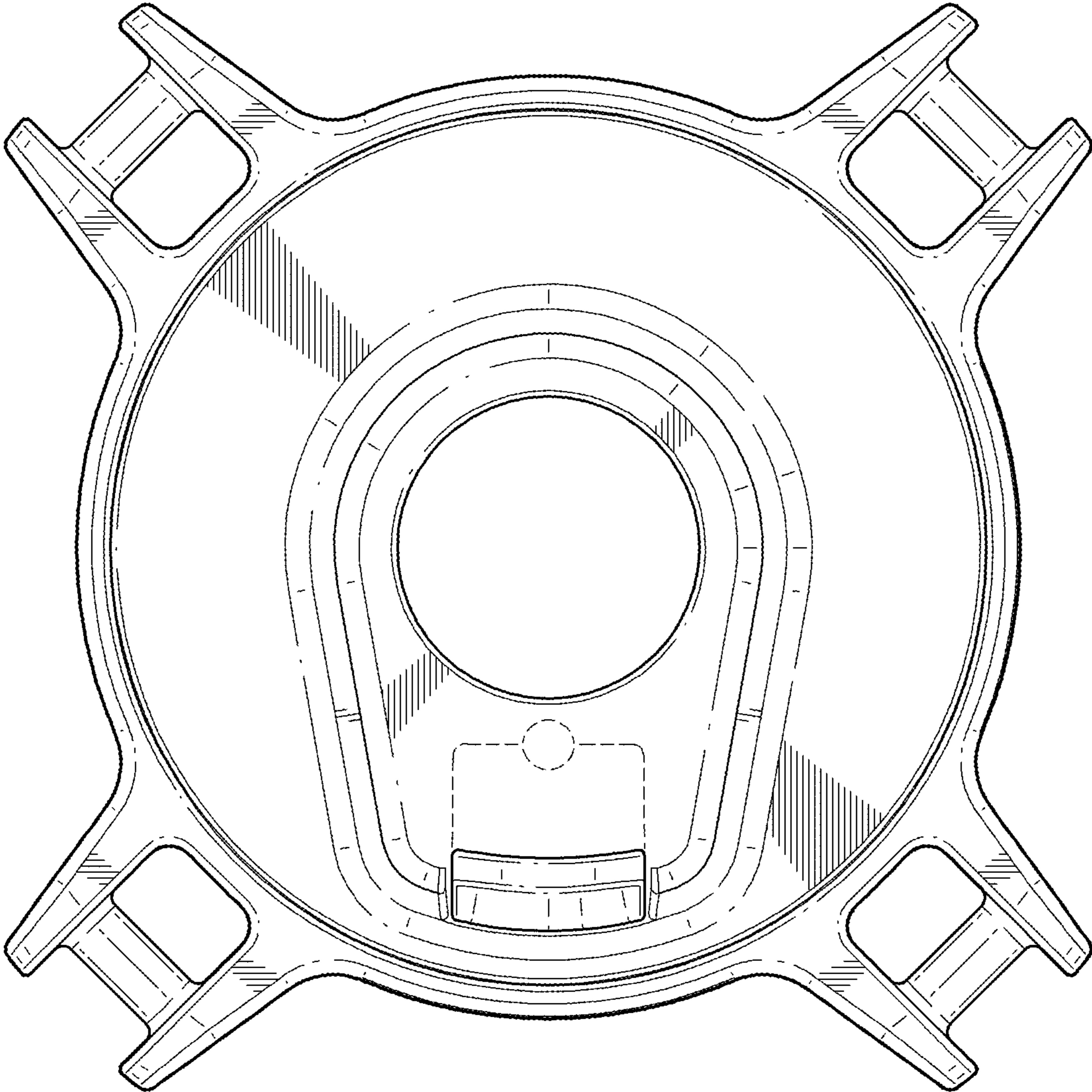


FIG. 19

