



US00D909041S

(12) **United States Design Patent** (10) **Patent No.:** **US D909,041 S**  
**Sears** (45) **Date of Patent:** **\*\* \*Feb. 2, 2021**

(54) **LACE STOPPER**

(71) Applicant: **Guy David Sears**, Lithia Springs, GA (US)

(72) Inventor: **Guy David Sears**, Lithia Springs, GA (US)

(\*) Notice: This patent is subject to a terminal disclaimer.

(\*\*) Term: **15 Years**

(21) Appl. No.: **29/680,856**

(22) Filed: **Feb. 20, 2019**

(51) **LOC (13) Cl.** ..... **02-07**

(52) **U.S. Cl.**  
USPC ..... **D2/976**

(58) **Field of Classification Search**  
USPC ..... D3/208, 226, 304-315; D6/512, 525, D6/608, 672, 675; D2/896, 976, 978, D2/999; D8/71; D32/37  
CPC ..... A43C 11/00; A43C 7/00  
See application file for complete search history.

(56) **References Cited**

**U.S. PATENT DOCUMENTS**

1,446,663	A *	2/1923	Sandberg	.....	A43C 7/005 24/712.3
4,644,610	A *	2/1987	Fish	.....	A01G 13/04 211/70.6
5,343,599	A *	9/1994	Reeves	.....	A45F 5/02 24/36
D445,980	S *	7/2001	Tjugum	.....	A43C 7/005 D32/61
D713,095	S *	9/2014	Bishop	.....	A43C 7/005 D28/10
D736,312	S *	8/2015	Elbaum	.....	D18/50
D806,376	S *	1/2018	Sears	.....	A01G 13/04 D2/976

D880,840	S *	4/2020	Gellineau	.....	A45F 5/02 D2/999
2008/0256759	A1 *	10/2008	Kasbohm	.....	B65F 7/00 24/30.5 S
2017/0354205	A1 *	12/2017	Sears	.....	A43C 7/00
2019/0183211	A1 *	6/2019	Siprut	.....	A43C 7/005

\* cited by examiner

*Primary Examiner* — Kevin K Rudzinski  
*Assistant Examiner* — Amber J Rabie  
(74) *Attorney, Agent, or Firm* — Fish & Richardson P.C.

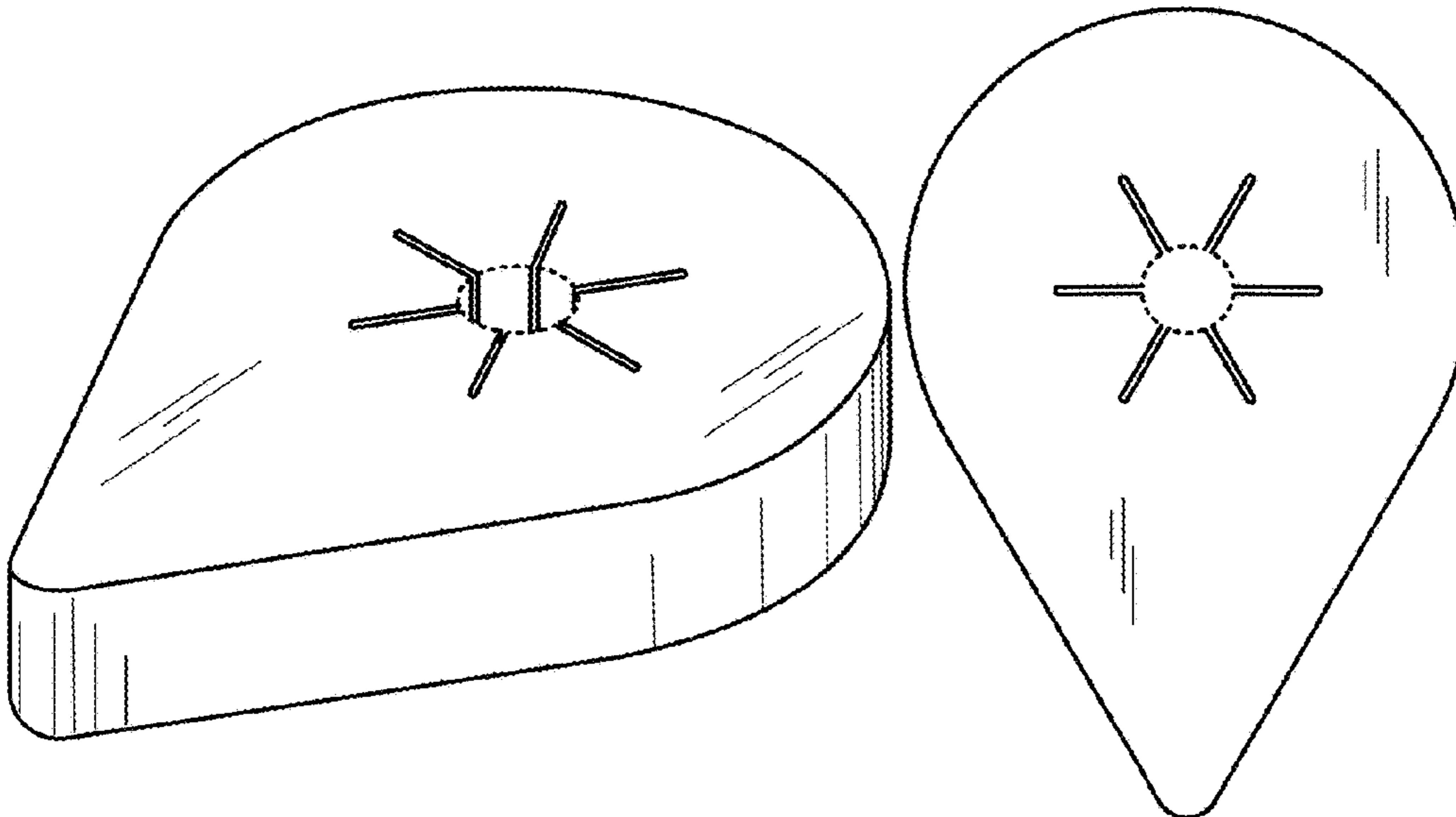
(57) **CLAIM**

The ornamental design for a lace stopper, as shown and described.

**DESCRIPTION**

FIG. 1 is a front perspective view of a first embodiment of my lace stopper.  
FIG. 2 is a front view of the embodiment of FIG. 1.  
FIG. 3 is a back view of the embodiment of FIG. 1.  
FIG. 4 is a right side view of the embodiment of FIG. 1.  
FIG. 5 is a left side view of the embodiment of FIG. 1.  
FIG. 6 is a top view of the embodiment of FIG. 1.  
FIG. 7 is a bottom view of the embodiment of FIG. 1.  
FIG. 8 is another front perspective view of the embodiment of FIG. 1.  
FIG. 9 is a front perspective view of a second embodiment of my lace stopper.  
FIG. 10 is a front view of the embodiment of FIG. 9.  
FIG. 11 is a back view of the embodiment of FIG. 9.  
FIG. 12 is a right side view of the embodiment of FIG. 9.  
FIG. 13 is a left side view of the embodiment of FIG. 9.  
FIG. 14 is a top view of the embodiment of FIG. 9.  
FIG. 15 is a bottom view of the embodiment of FIG. 9; and, FIG. 16 is another front perspective view of the embodiment of FIG. 9.  
The broken lines illustrate portions of the lace stopper that form no part of the claimed design.

**1 Claim, 8 Drawing Sheets**



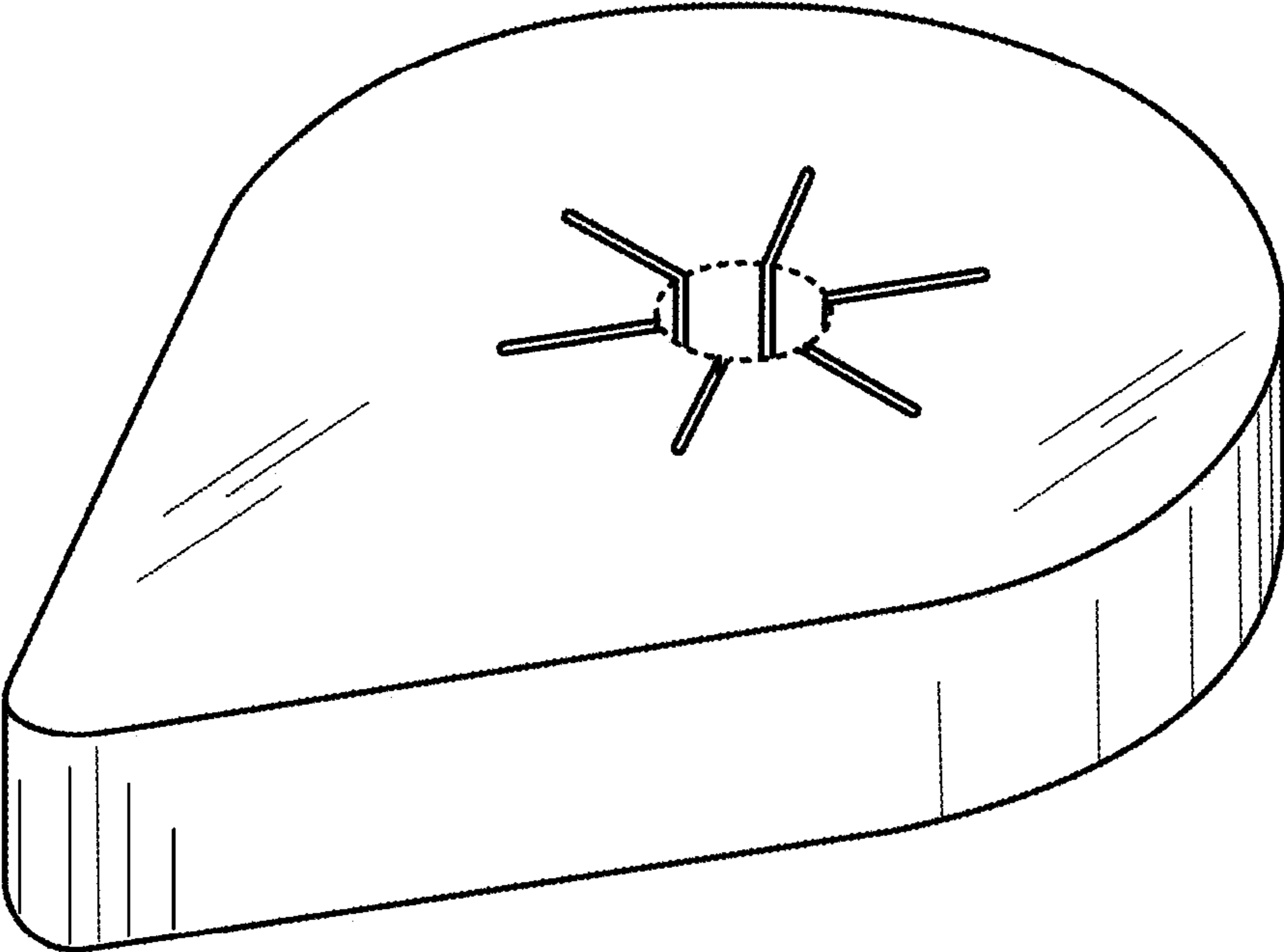
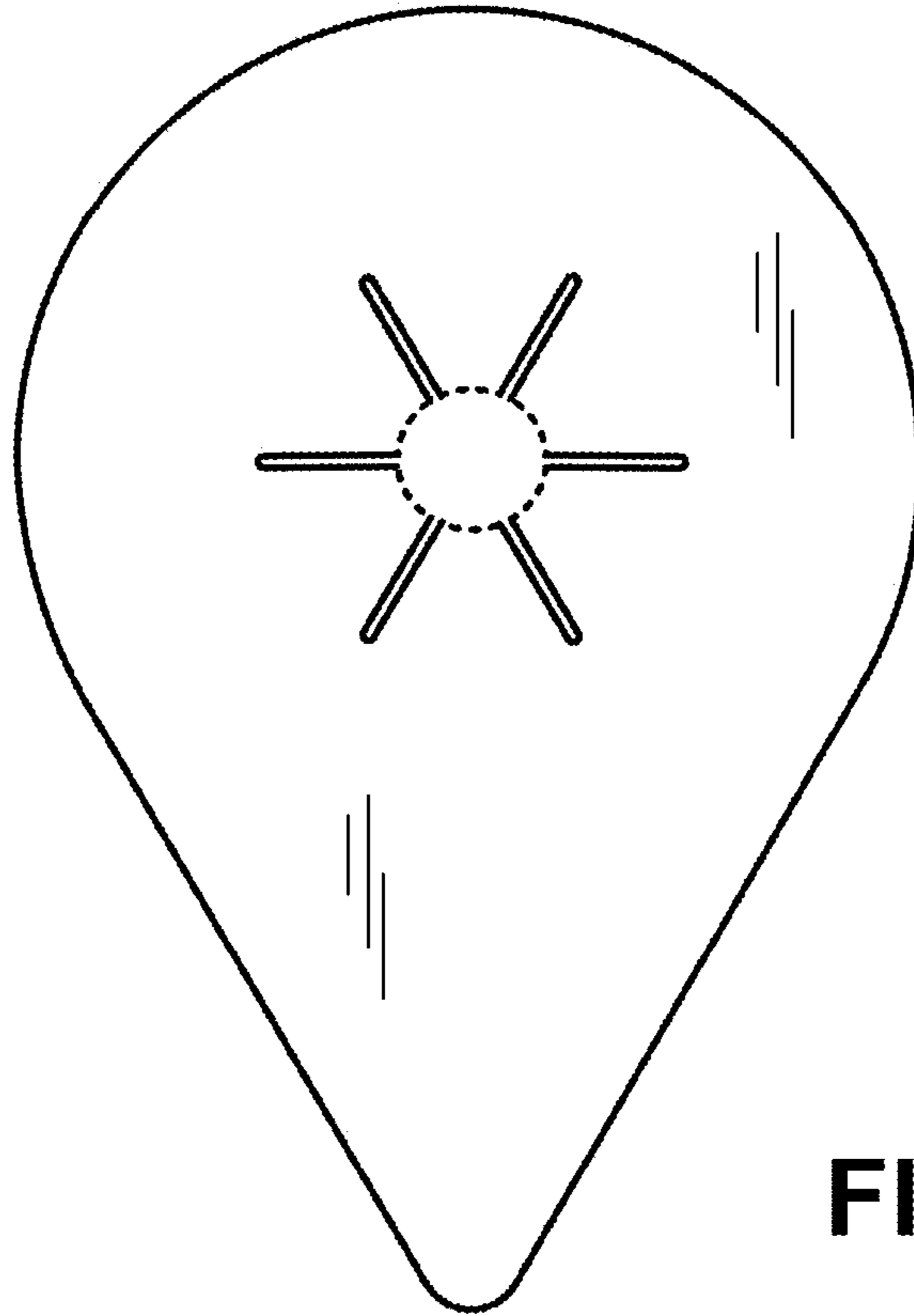
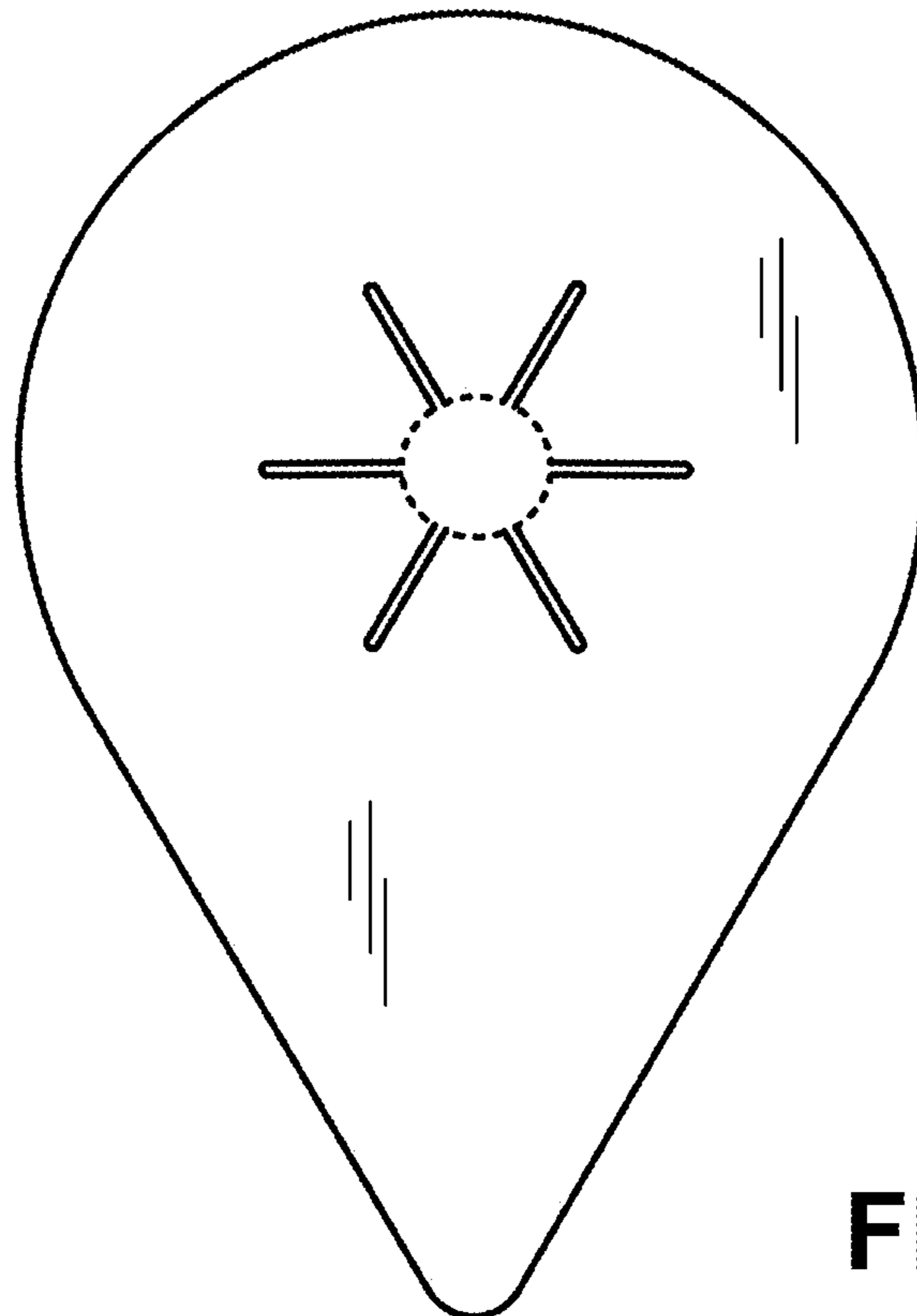


FIG. 1



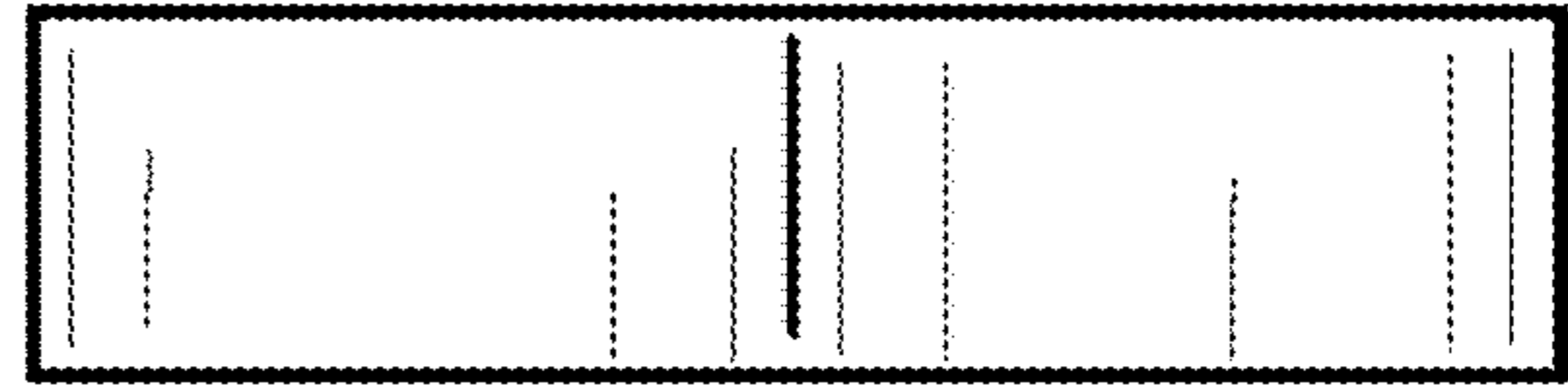
**FIG. 2**



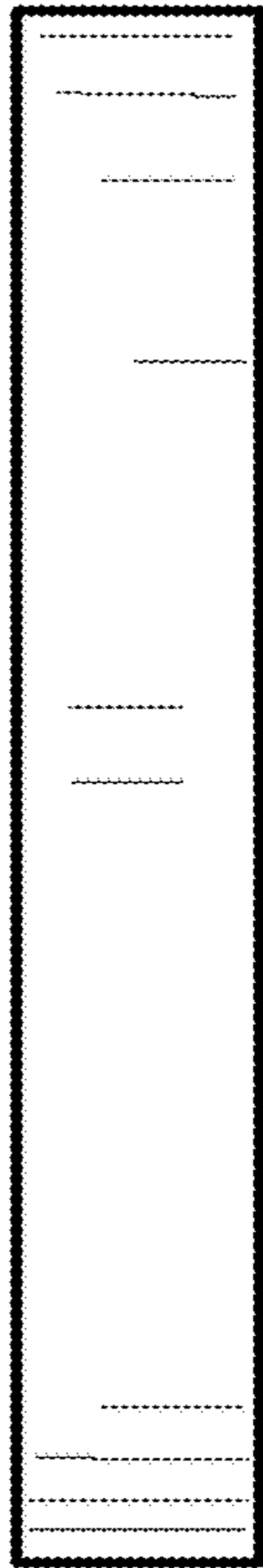
**FIG. 3**



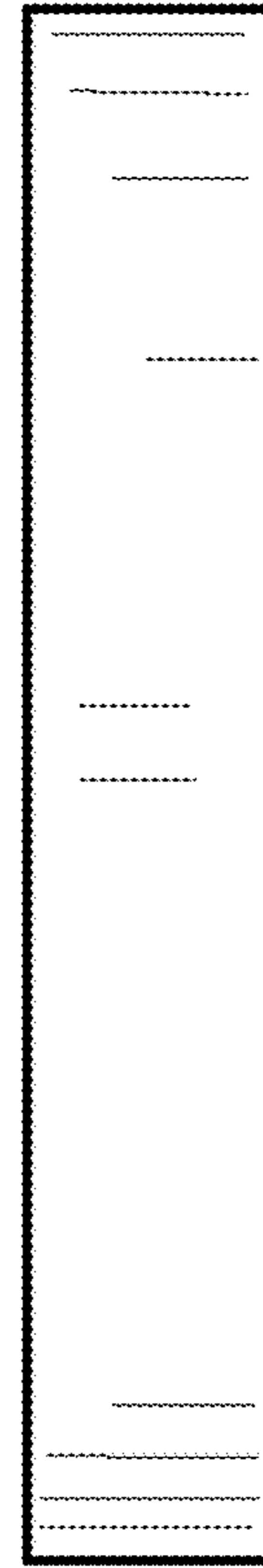
**FIG. 4**



**FIG. 5**



**FIG. 6**



**FIG. 7**

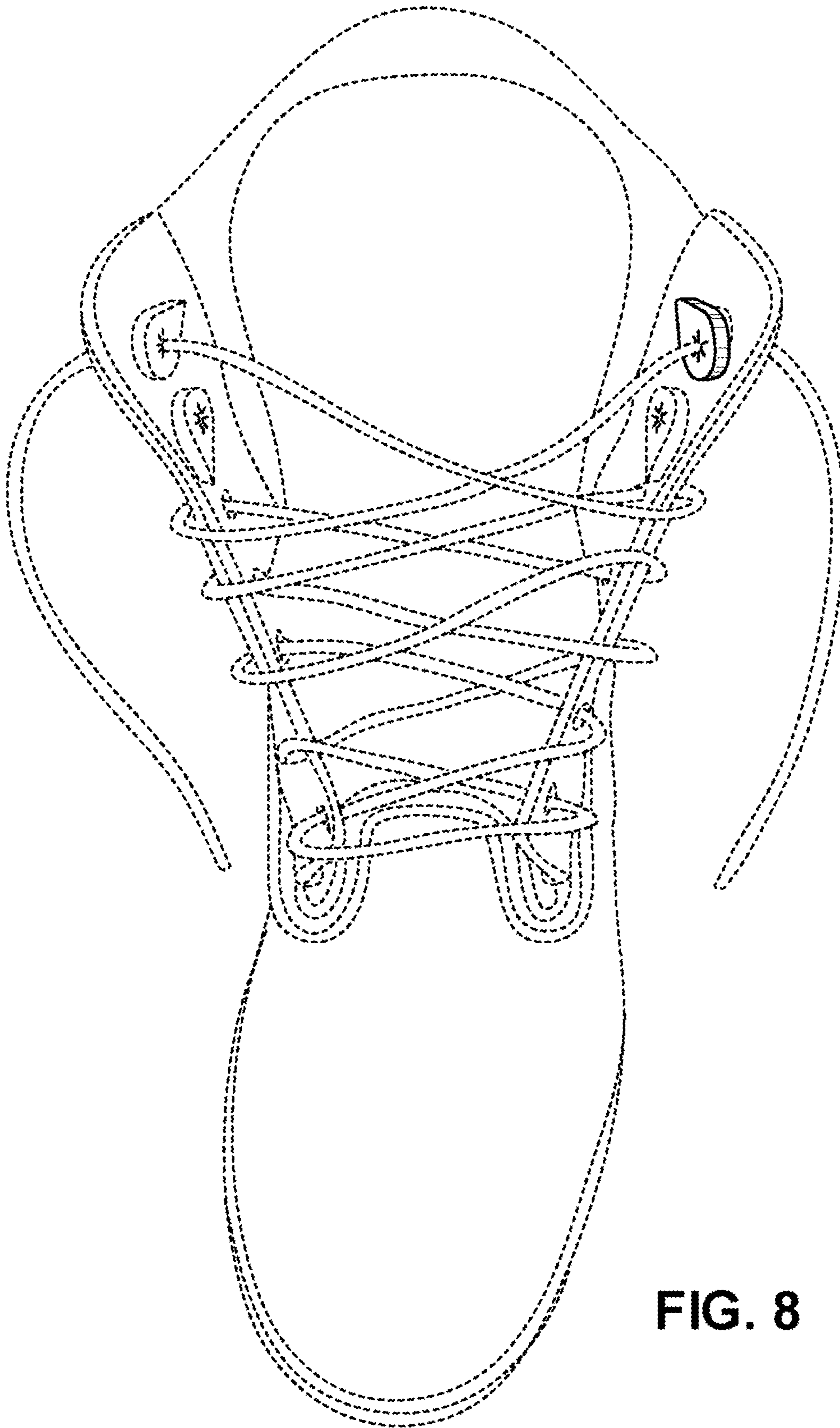
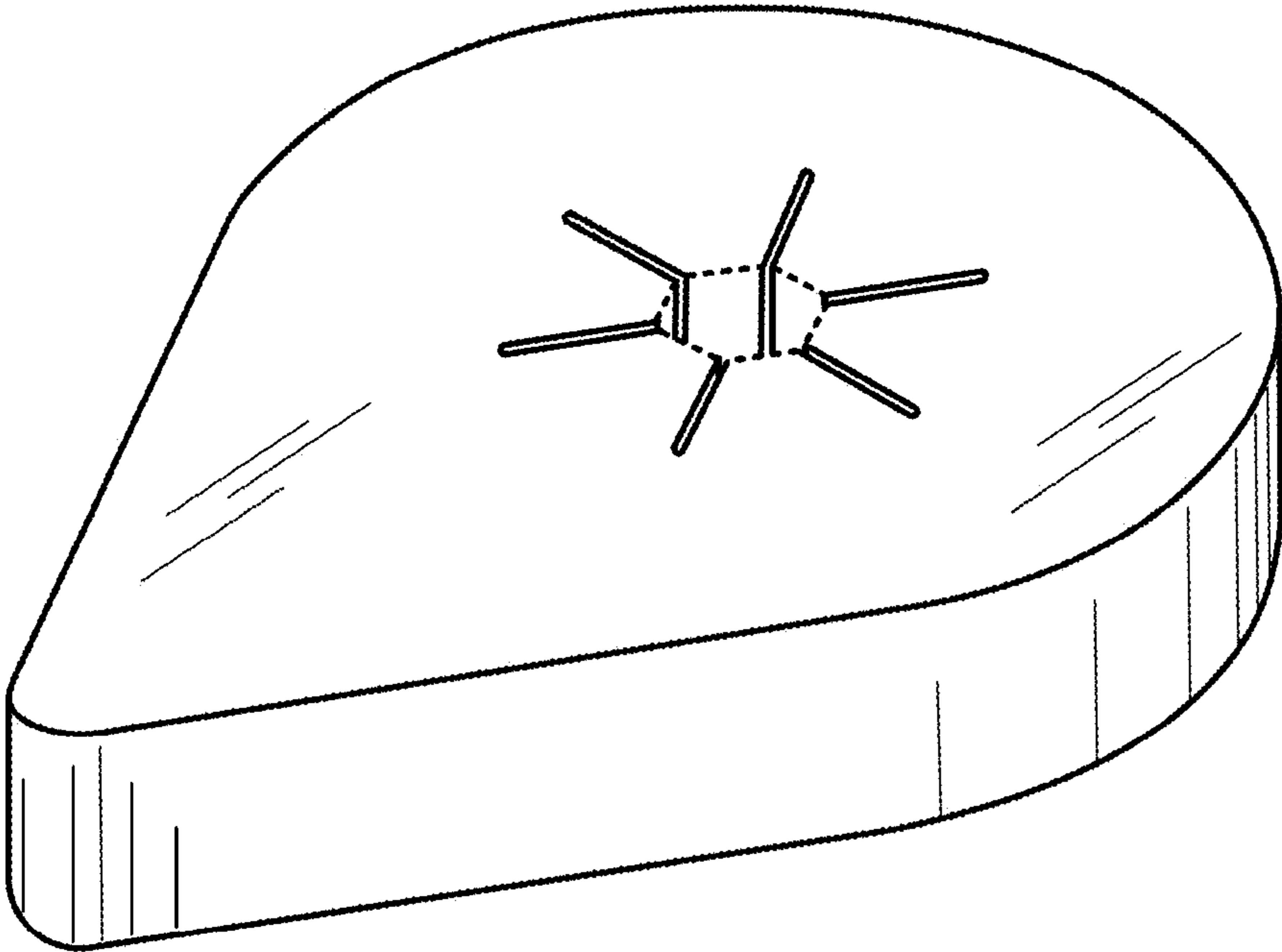
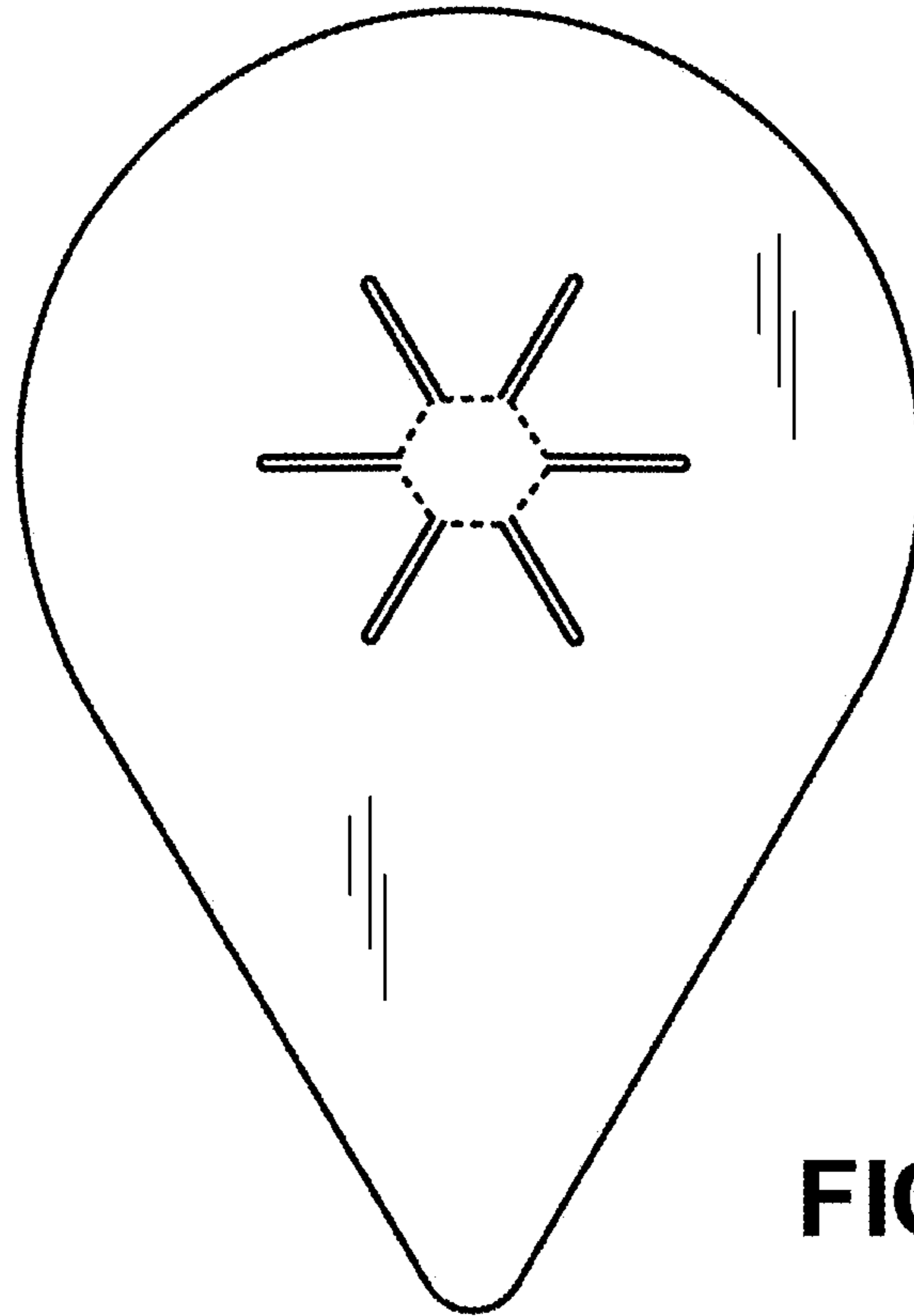


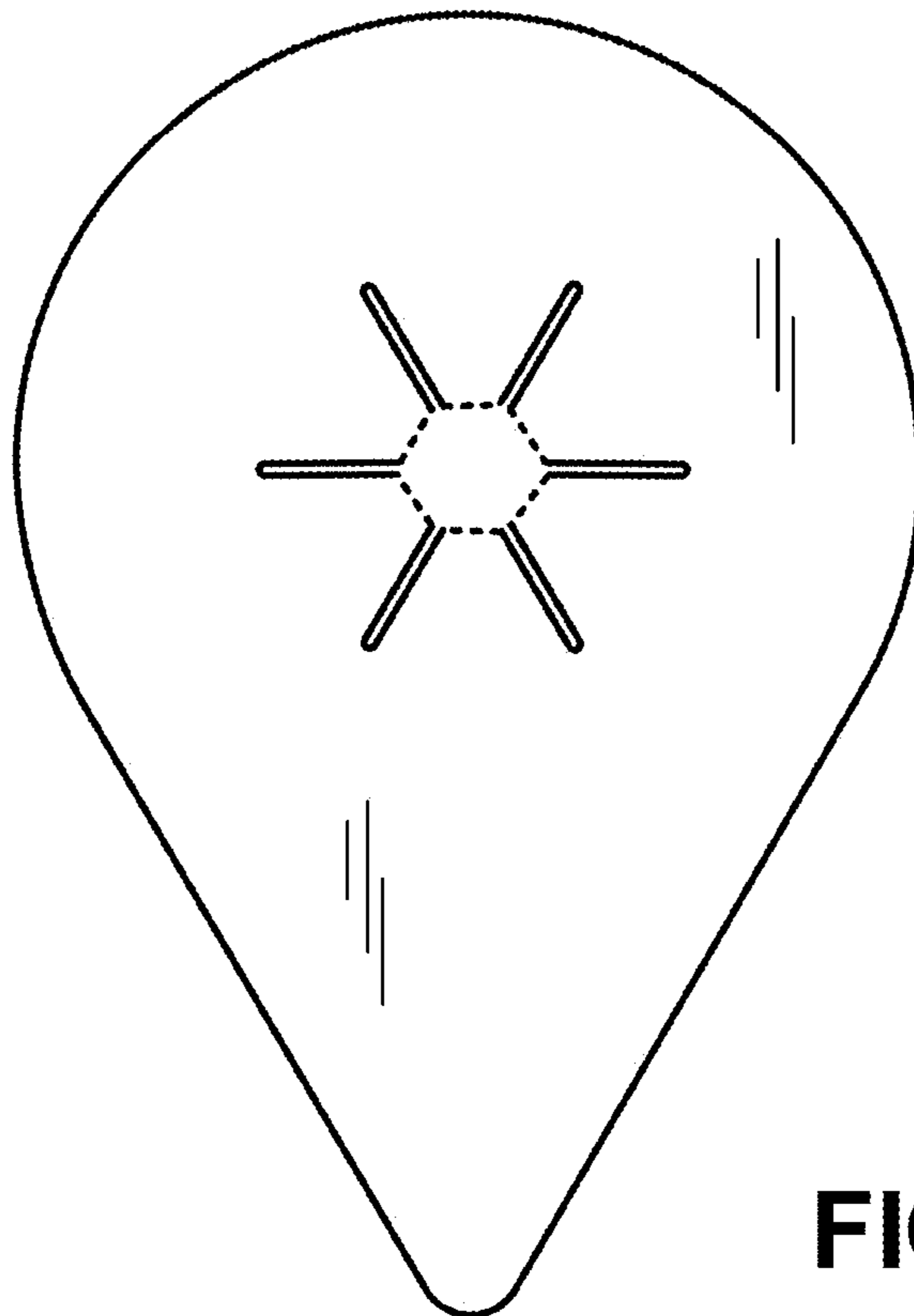
FIG. 8



**FIG. 9**



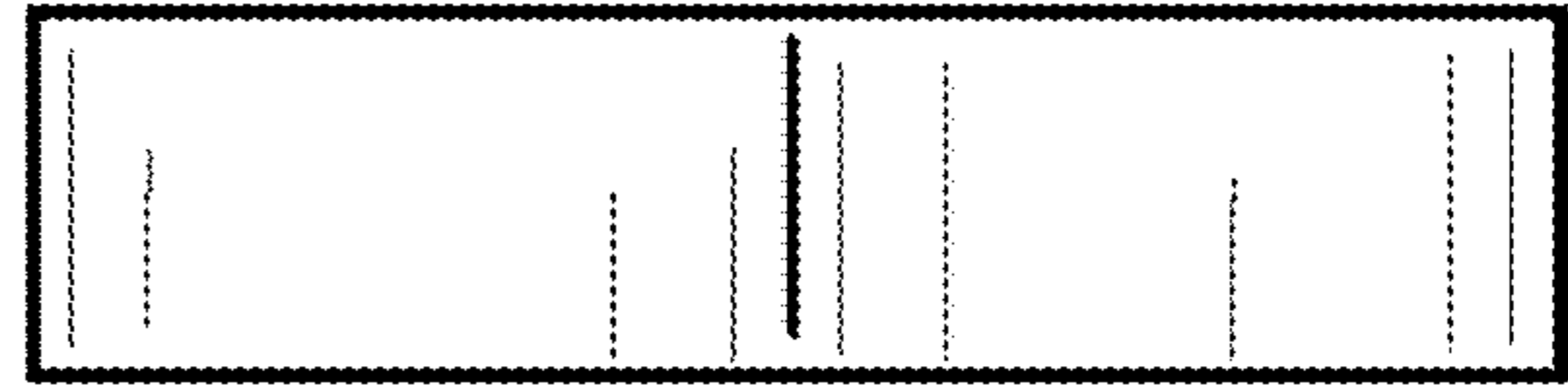
**FIG. 10**



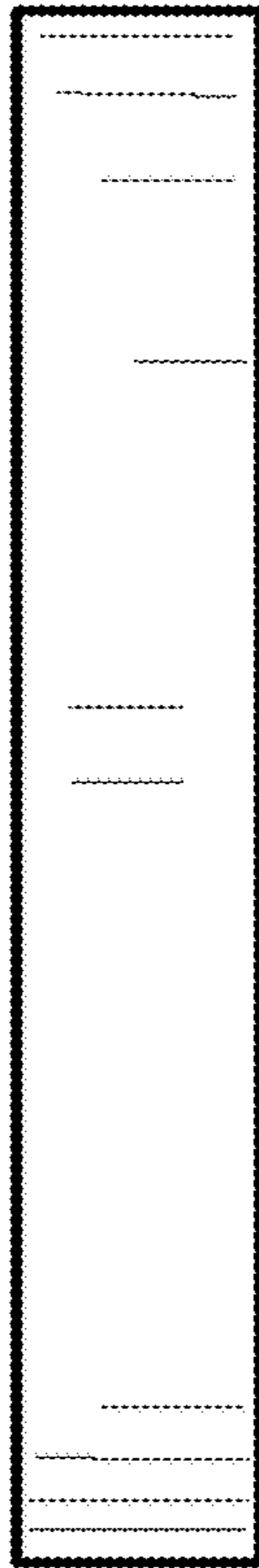
**FIG. 11**



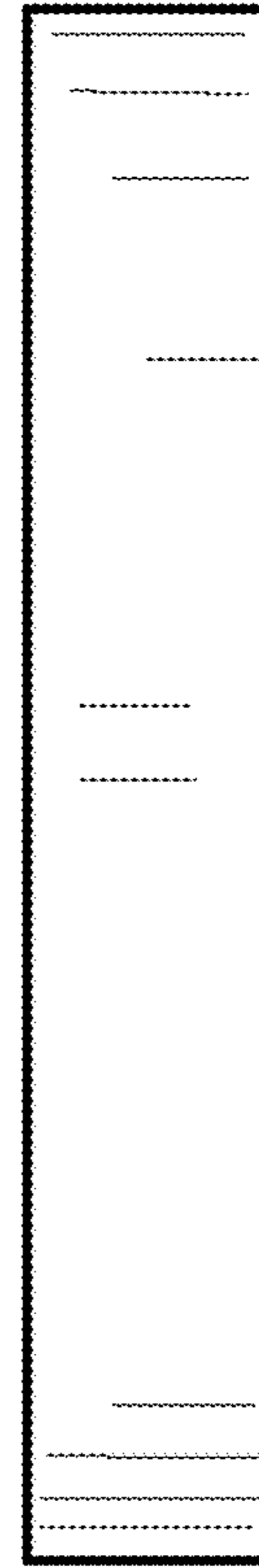
**FIG. 12**



**FIG. 13**

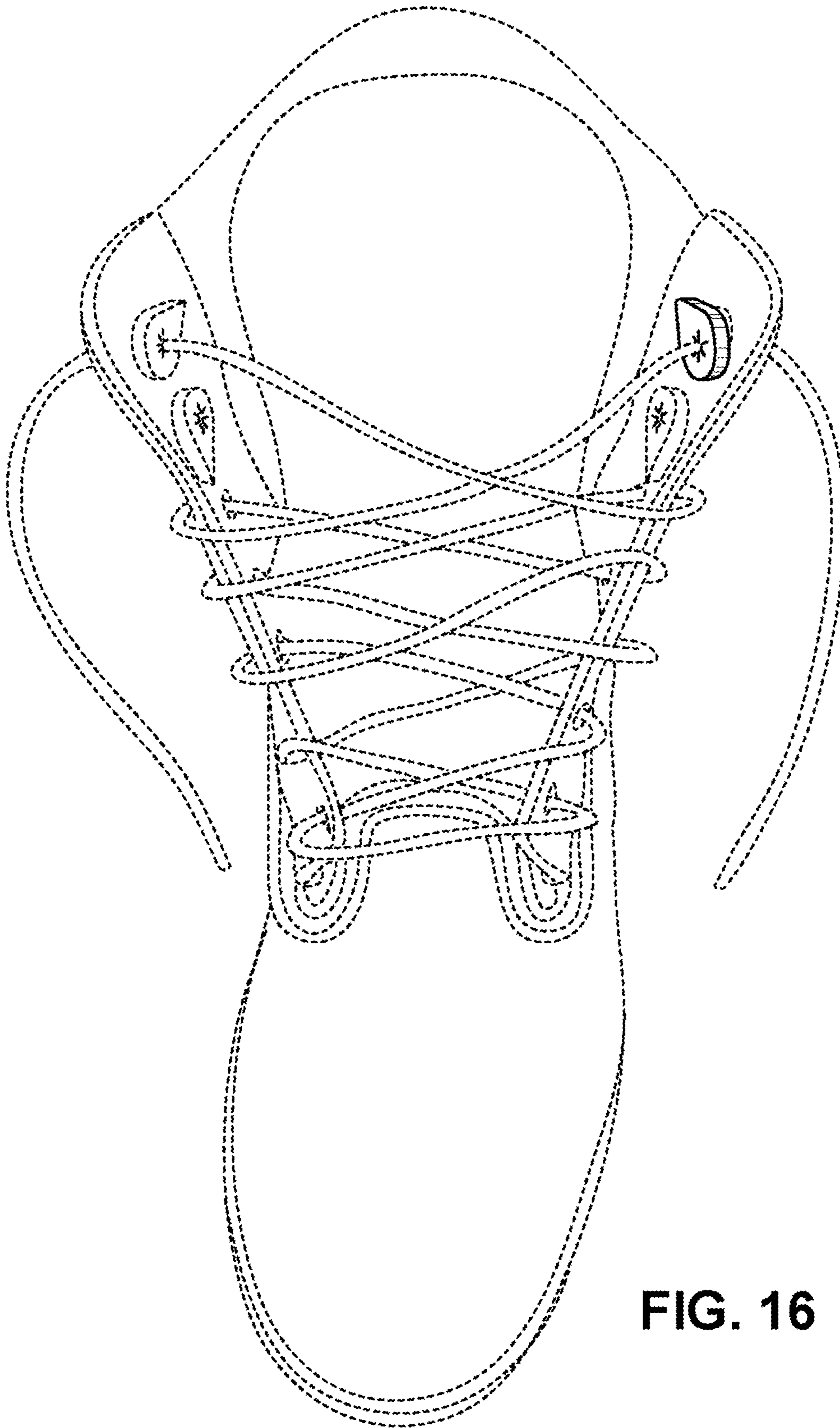


**FIG. 14**



**FIG. 15**





**FIG. 16**