



US00D909027S

(12) **United States Design Patent** (10) **Patent No.:** **US D909,027 S**  
**Fongher et al.** (45) **Date of Patent:** **\*\* Feb. 2, 2021**

(54) **FOOTWEAR**  
(71) Applicant: **Crocs, Inc.**, Niwot, CO (US)  
(72) Inventors: **Federico Fongher**, Villatora di Saonara (IT); **Stefano Del Biondi**, Noventa Padovana (IT)  
(73) Assignee: **CROCS, INC.**, Niwot, CO (US)

5,685,094 A 11/1997 Lin  
5,894,687 A 4/1999 Lin  
6,138,383 A 10/2000 Steinke et al.  
6,434,859 B1 8/2002 Kim  
6,857,202 B2 2/2005 Pfander  
D529,263 S \* 10/2006 Wolf ..... D2/923  
D591,494 S 5/2009 Jolicoeur  
D595,943 S 7/2009 Cai  
D617,086 S 6/2010 Avent et al.  
(Continued)

(\*\*) Term: **15 Years**

**FOREIGN PATENT DOCUMENTS**

(21) Appl. No.: **29/656,430**

CO 11030 12/2019  
DE 474016 C 3/1929  
(Continued)

(22) Filed: **Jul. 12, 2018**

(51) **LOC (13) Cl.** ..... **02-04**

(52) **U.S. Cl.**

USPC ..... **D2/923**

(58) **Field of Classification Search**

USPC ..... D2/896, 898, 899, 900, 916, 917, 919,  
D2/923, 943, 946, 969, 972  
CPC ..... A43B 13/38; A43B 23/00; A43B 3/10;  
A43B 3/12; A43B 3/16  
See application file for complete search history.

**OTHER PUBLICATIONS**

U.S. Appl. No. 29/630,408, filed Dec. 20, 2017.  
(Continued)

*Primary Examiner* — Rashida C. Walshon  
(74) *Attorney, Agent, or Firm* — Wilmer Cutler Pickering Hale and Dorr LLP

(56) **References Cited**

**U.S. PATENT DOCUMENTS**

3,253,601 A 5/1966 Scholl  
3,589,037 A 6/1971 Gallagher  
4,345,387 A 8/1982 Daswick  
4,823,799 A 4/1989 Robbins  
4,831,749 A 5/1989 Tsai  
4,841,647 A 6/1989 Turucz  
4,843,741 A 7/1989 Yung-Mao  
4,852,274 A 8/1989 Wilson  
4,896,441 A 1/1990 Galasso et al.  
4,908,962 A 3/1990 Yung-Mao  
4,934,071 A 6/1990 Virgini et al.  
4,999,931 A 3/1991 Vermeulen  
5,400,526 A 3/1995 Sessa  
D373,013 S 8/1996 Rosetta  
5,551,173 A 9/1996 Chambers

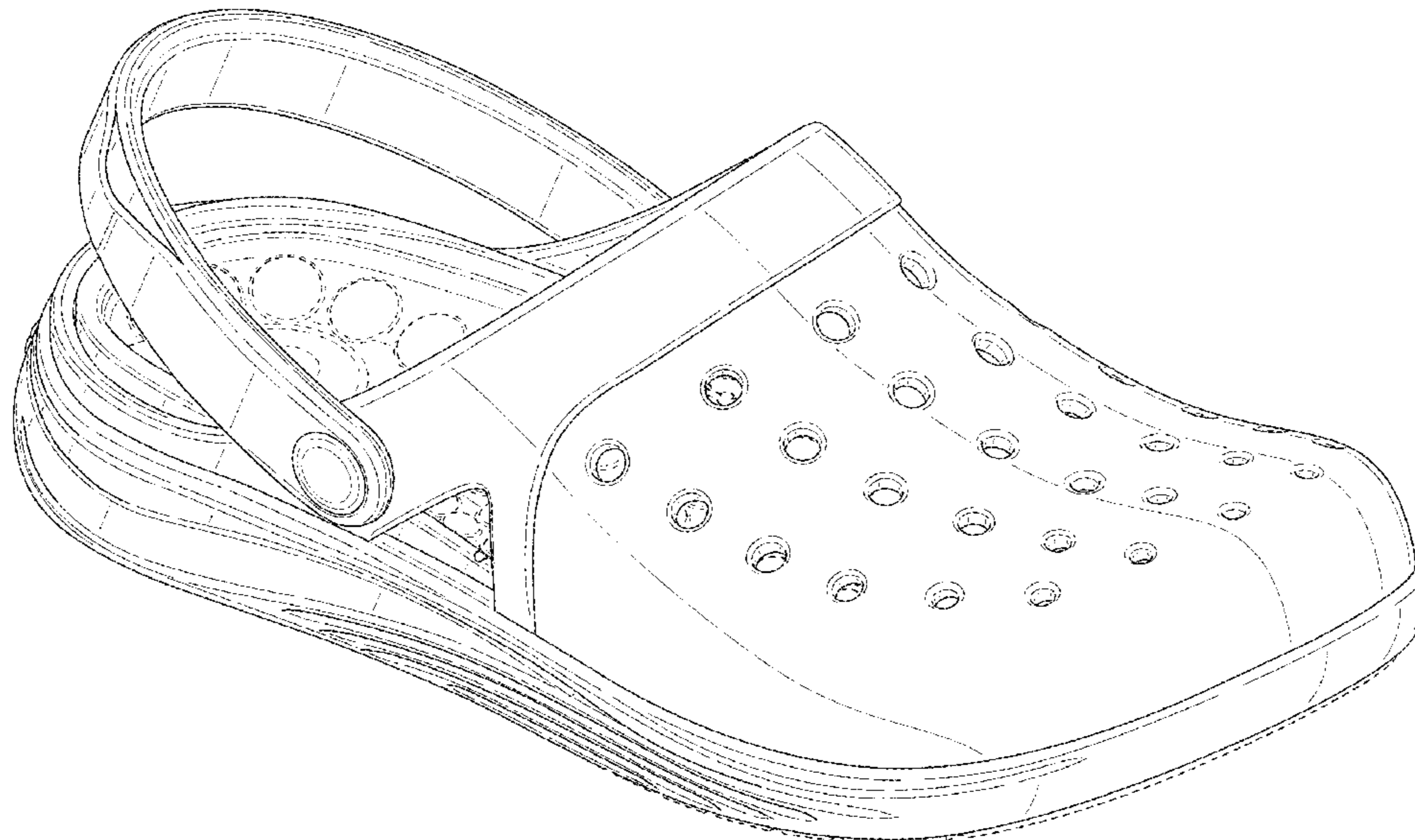
(57) **CLAIM**

The ornamental design for footwear, as shown and described.

**DESCRIPTION**

FIG. 1 is a front perspective view of footwear;  
FIG. 2 is a front view thereof;  
FIG. 3 is a back view thereof;  
FIG. 4 is an outer side view thereof;  
FIG. 5 is an inner side view thereof;  
FIG. 6 is a top view thereof; and,  
FIG. 7 is a bottom view thereof.  
The portions shown in dashed lines form no part of the claimed design.

**1 Claim, 7 Drawing Sheets**



(56)

References Cited

U.S. PATENT DOCUMENTS

D626,321 S 11/2010 Cagner  
 7,850,628 B2 12/2010 Beirut  
 D642,773 S \* 8/2011 Liow ..... D2/896  
 D650,157 S \* 12/2011 Liow ..... D2/923  
 D657,543 S 4/2012 Bove  
 D659,366 S 5/2012 Madvin  
 D691,351 S \* 10/2013 Pugazhenthithi ..... D2/896  
 D698,133 S \* 1/2014 Callegarini ..... D2/896  
 D698,531 S \* 2/2014 Lock ..... D2/896  
 D709,677 S \* 7/2014 del Biondi ..... D2/923  
 D717,528 S 11/2014 Avent  
 D732,808 S \* 6/2015 Del Biondi ..... D2/923  
 D738,082 S 9/2015 Ho  
 D739,129 S 9/2015 Del Biondi  
 D751,798 S \* 3/2016 Laska ..... D2/923  
 D753,377 S \* 4/2016 Bigolin ..... D2/907  
 D768,364 S \* 10/2016 Chanthavong ..... D2/923  
 D768,365 S \* 10/2016 Thompson ..... A43B 13/38  
 D2/923  
 D771,364 S 11/2016 Nester et al.  
 D771,365 S 11/2016 Nester et al.  
 D772,543 S \* 11/2016 Laska ..... D2/923  
 D776,414 S 1/2017 Qin  
 9,554,616 B2 1/2017 Horesh et al.  
 D801,013 S \* 10/2017 Laska ..... D2/932  
 D808,142 S 1/2018 Yang et al.  
 D819,317 S 6/2018 Wurtz  
 D823,587 S 7/2018 Lin  
 D824,648 S 8/2018 Southernwood et al.  
 D824,649 S 8/2018 Southernwood et al.  
 D828,990 S 9/2018 Evans  
 D833,124 S \* 11/2018 Laska ..... D2/916  
 D856,642 S 8/2019 Abadjian  
 D869,137 S 12/2019 Del Biondi et al.  
 2004/0118017 A1 6/2004 Dalton et al.  
 2004/0134098 A1 7/2004 Beck  
 2004/0168354 A1 9/2004 Nguyen  
 2005/0049533 A1 3/2005 Beirut  
 2005/0241180 A1 11/2005 Squadroni  
 2006/0026740 A1 2/2006 Vargas et al.  
 2006/0213091 A1 9/2006 Ometto et al.  
 2009/0056171 A1 3/2009 Lin  
 2010/0205831 A1 8/2010 Cheskin et al.

2011/0061263 A1 3/2011 Everz-Vaz  
 2012/0073162 A1 3/2012 Guirado Martinez et al.  
 2013/0104419 A1 5/2013 Horesh et al.  
 2013/0145651 A1\* 6/2013 Bathum ..... A43B 13/38  
 36/43  
 2013/0199056 A1 8/2013 Lim  
 2013/0303952 A1 11/2013 Golan  
 2016/0183627 A1 6/2016 Ho  
 2016/0353840 A1 12/2016 Mason et al.  
 2019/0142107 A1 5/2019 Ferniani

FOREIGN PATENT DOCUMENTS

EP 0553736 A1 8/1993  
 EP 0780063 A1 6/1997  
 EP 1568289 A1 8/2005  
 GB 2066049 A 7/1981  
 WO WO-99/32004 A1 7/1999  
 WO WO-01/03536 A1 1/2001

OTHER PUBLICATIONS

Gitibaba, High Quality Men Women Orthopedic Height Increase Insoles Massaging Invisible Half Comfortable Foot Pad Shoe Lift Feet Care, downloaded Jan. 10, 2018, <https://www.aliexpress.com/item/High-Quality-Men-Women-Orthopedic-Height-Increase-Insoles-Massaging-Invisible-Half-Comfortable-Foot-Pad-Shoe-Lift/32> (10 pages).  
 Soumit, "Silicon Gel Massage Health Care Insoles for Men Women Blood Circulation Shoes Insole Soles Shoe Inserts Foot Pad," downloaded Jan. 10, 2018, <https://www.aliexpress.com/store/product/Soumit-Silicone-Magnetic-Therapy-Durable-Insoles-Comfortable-Inserts-Foot-Health-Care-Pain-Relief-Massage-Ins...> (9 pages).  
 Futzuki—The Pain Relieving Reflexology Mat (and Screen Shots from Video), downloaded from <https://www.futzuki.com/> on Jan. 2, 2018 (6 pages).  
 U.S. Appl. No. 62/585,299, filed Nov. 13, 2017.  
 Opposition dated May 15, 2019 to the registration of the Industrial Design titled: "Calzado" received in related Colombian Patent Application No. NC2019/0000183 (114 pages).  
 Resolution No. 75655 dated Dec. 19, 2019 which grants Colombian Patent Application No. NC2019/0000183 (33 pages).

\* cited by examiner

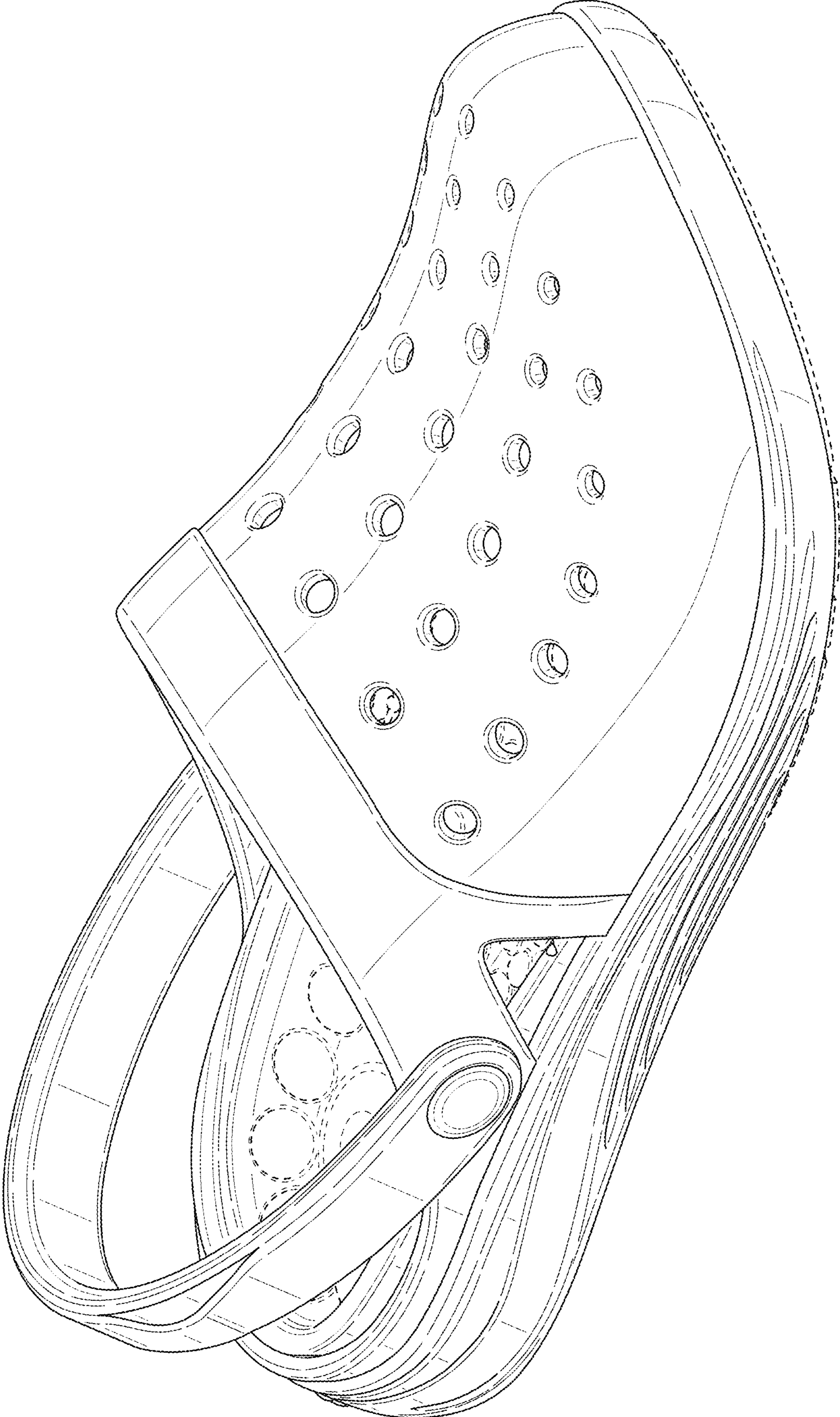


FIG. 1

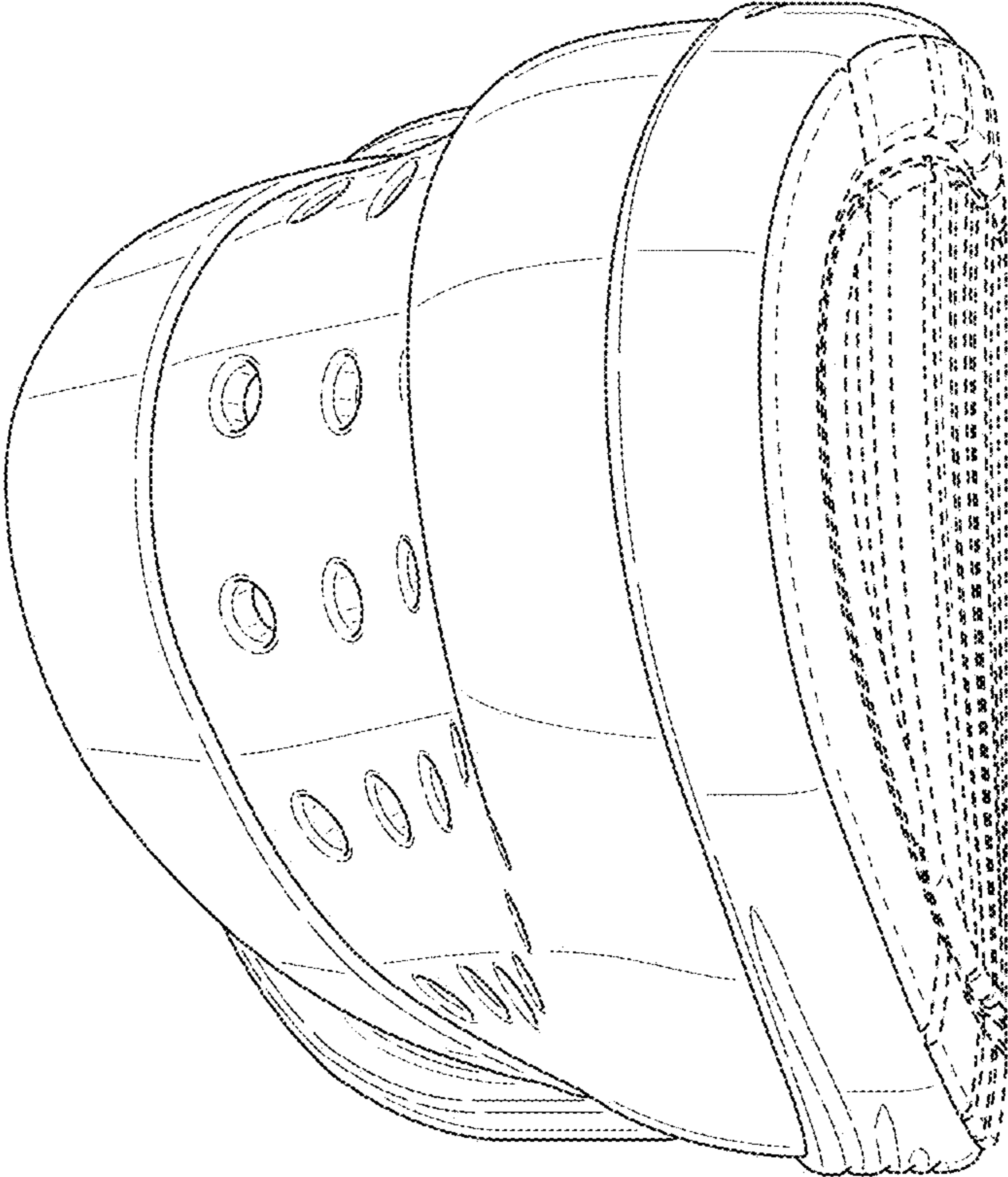


FIG. 2

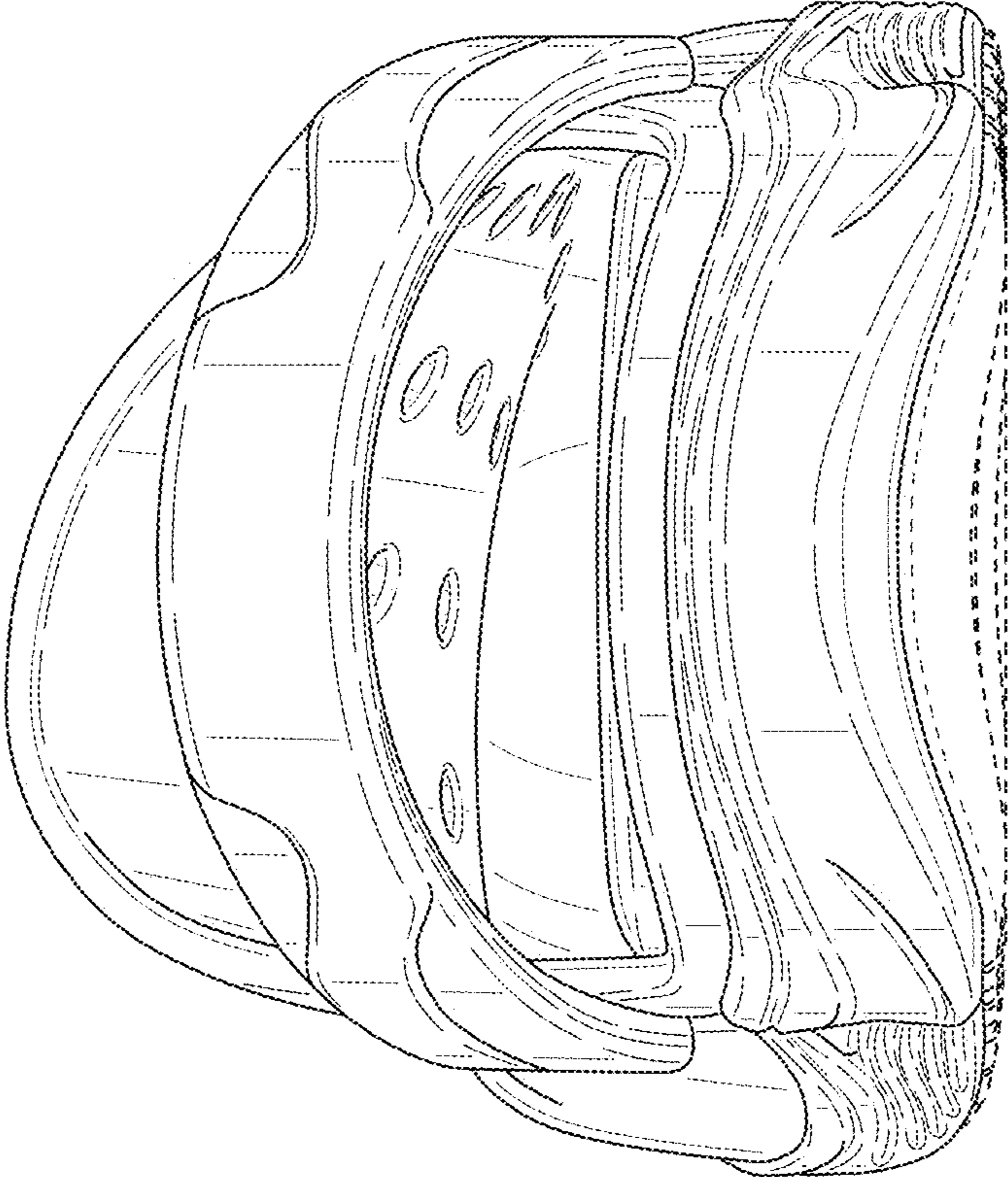


FIG. 3

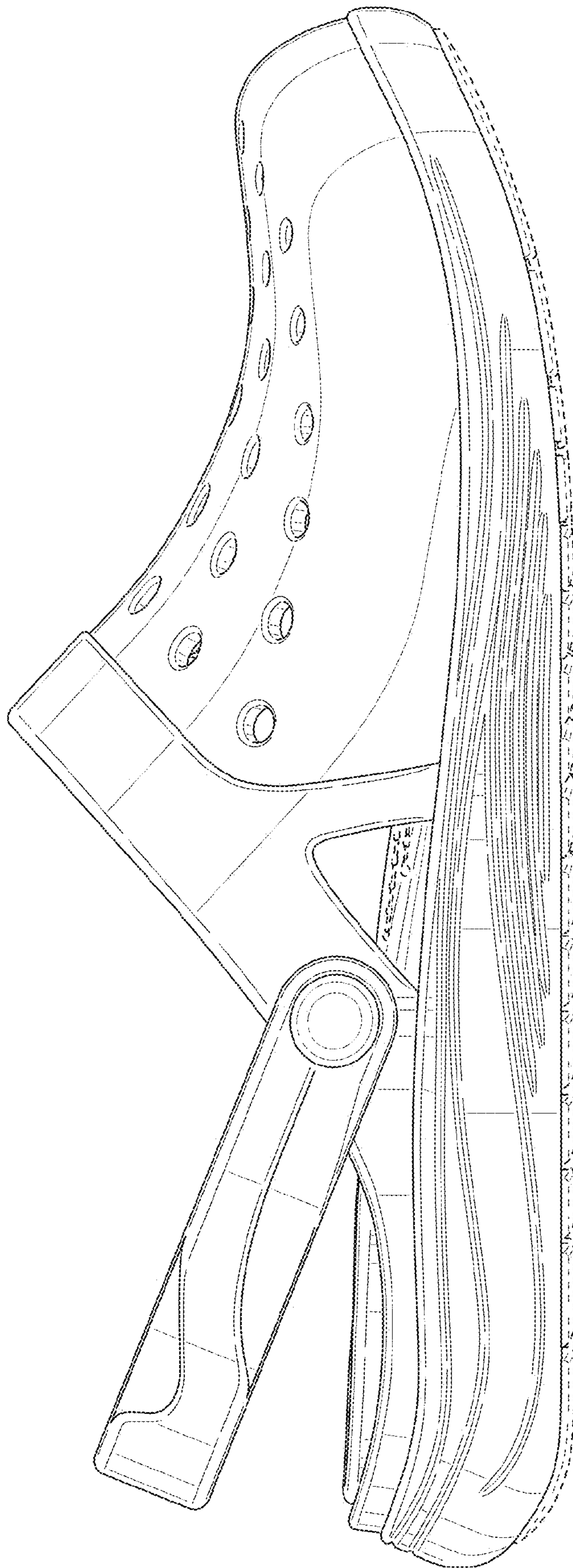


FIG. 4

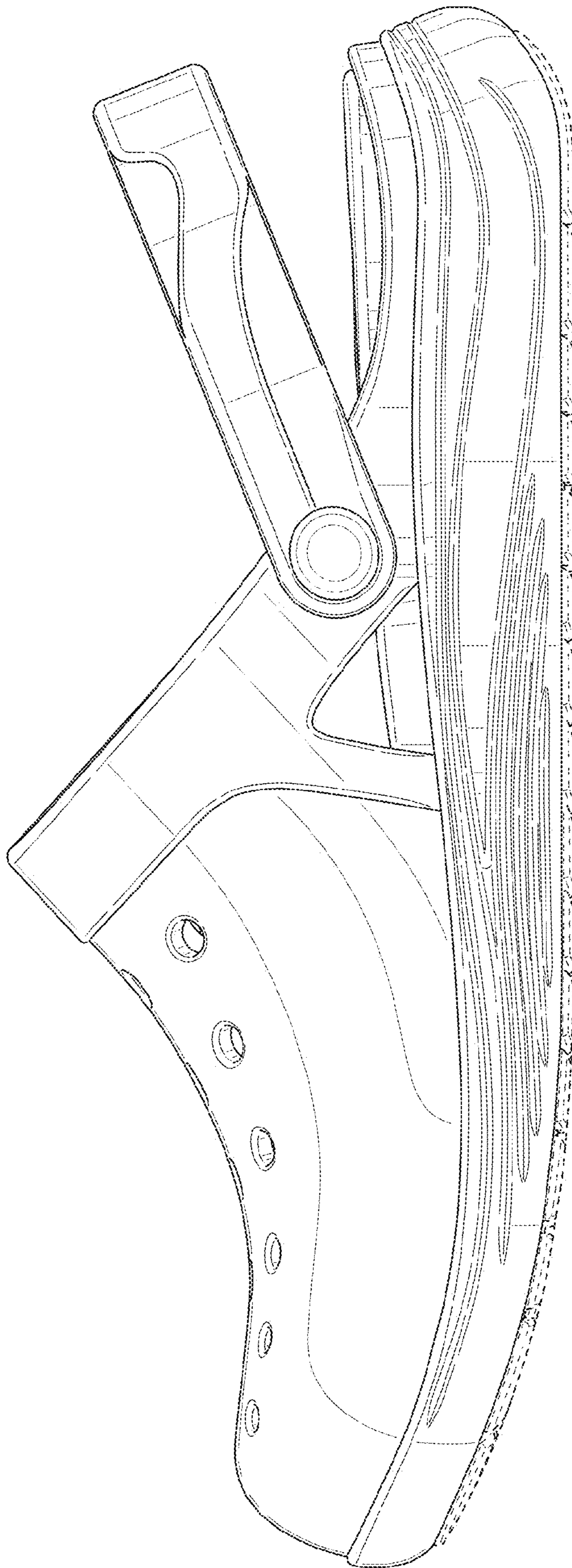


FIG. 5

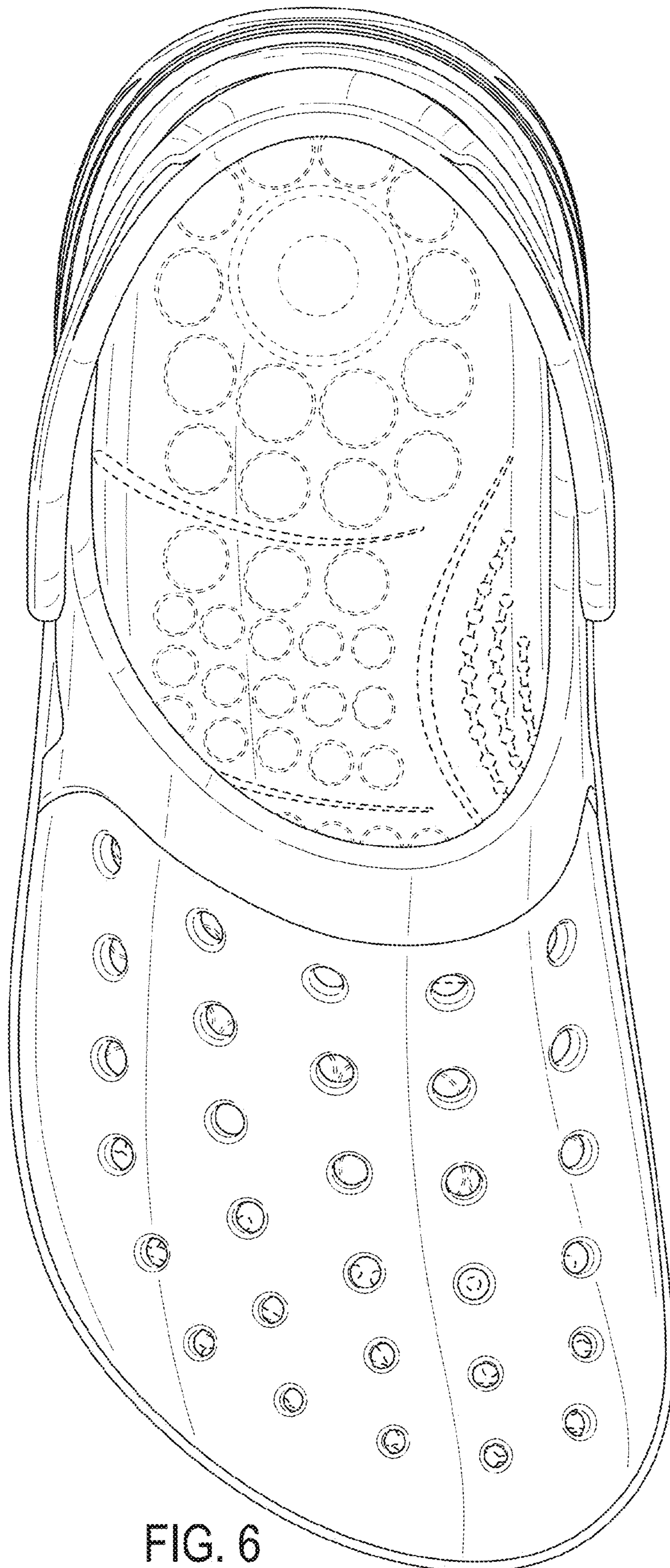


FIG. 6



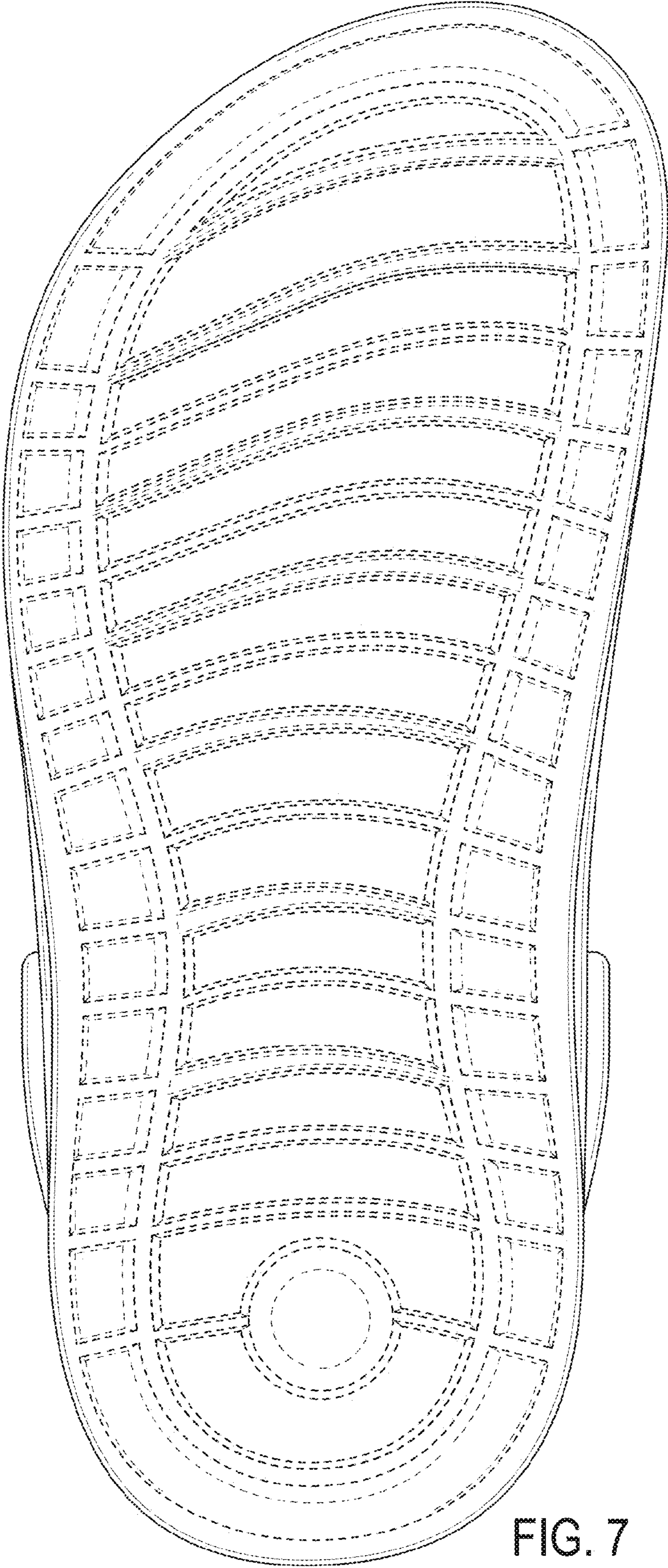


FIG. 7