



US00D909013S

(12) **United States Design Patent** (10) **Patent No.:** **US D909,013 S**  
**Yoo** (45) **Date of Patent:** **\*\* Feb. 2, 2021**

(54) **CAP WITH A CROWN PORTION OF THREE PANELS**

(71) Applicant: **YUPOONG, INC.**, Seoul (KR)

(72) Inventor: **Heungsun Yoo**, Gimpo-si (KR)

(73) Assignee: **YUPOONG, INC.**, Seoul (KR)

(\*\*) Term: **15 Years**

(21) Appl. No.: **29/656,681**

(22) Filed: **Jul. 16, 2018**

(51) **LOC (13) Cl.** ..... **02-03**

(52) **U.S. Cl.**  
USPC ..... **D2/865; D2/882**

(58) **Field of Classification Search**  
USPC ..... D2/865, 866, 869, 870, 871, 872, 873,  
D2/874, 875, 876, 877, 878, 879, 880,  
D2/881, 882, 883, 884, 886, 891, 894,  
D2/895  
CPC ..... A42B 1/00; A42B 1/004; A42B 1/006;  
A42B 1/02; A42B 1/06; A42B 1/061;  
A42B 1/062; A42B 1/063; A42B 1/24;  
A42B 1/241  
See application file for complete search history.

(56) **References Cited**

U.S. PATENT DOCUMENTS

D186,839 S \* 12/1959 Lipschutz ..... D2/882  
D339,903 S \* 10/1993 Ballew ..... D2/884  
5,359,734 A \* 11/1994 Rathburn ..... A42B 1/248  
2/195.1  
7,159,247 B2 \* 1/2007 Kim ..... A42B 1/22  
2/181  
D636,562 S \* 4/2011 Lam ..... D2/882

D693,099 S \* 11/2013 Purdy ..... D2/882  
D709,675 S \* 7/2014 Cho ..... D2/882  
D710,074 S \* 8/2014 Cho ..... D2/882  
D765,357 S \* 9/2016 Zenoff ..... D2/866  
9,438,975 B2 \* 9/2016 Mariasov ..... H04R 1/028  
10,492,554 B2 \* 12/2019 Sears ..... A42B 1/248  
2017/0245571 A1 \* 8/2017 Csillag ..... A42B 1/004  
2019/0166941 A1 \* 6/2019 Mao ..... A42B 1/062

\* cited by examiner

Primary Examiner — Jasmine Mlinarcik

(74) Attorney, Agent, or Firm — Lex IP Meister, PLLC

(57) **CLAIM**

The ornamental design for a cap with a crown portion of three panels, as shown and described.

**DESCRIPTION**

FIG. 1 is a perspective view of the cap with a crown portion of three panels showing my design;  
FIG. 2 is a front elevation view thereof;  
FIG. 3 is a back elevation view thereof;  
FIG. 4 is a left side elevation view thereof;  
FIG. 5 is a right side elevation view thereof;  
FIG. 6 is a top plan view thereof; and,  
FIG. 7 is a bottom plan view thereof.

The long dashed broken lines that depict the cap button, cap visor, and interior elements of the cap crown define portions of the cap with a crown portion of three panels that form no part of the claimed design. The short dashed lines along the interior of the cap crown in FIG. 7 define portions of the cap with a crown portion of three panels that form no part of the claimed design. The short dashed broken lines along the exterior surface of the cap depict features of the cap with a crown portion of three panels that form no part of the claimed design.

**1 Claim, 7 Drawing Sheets**

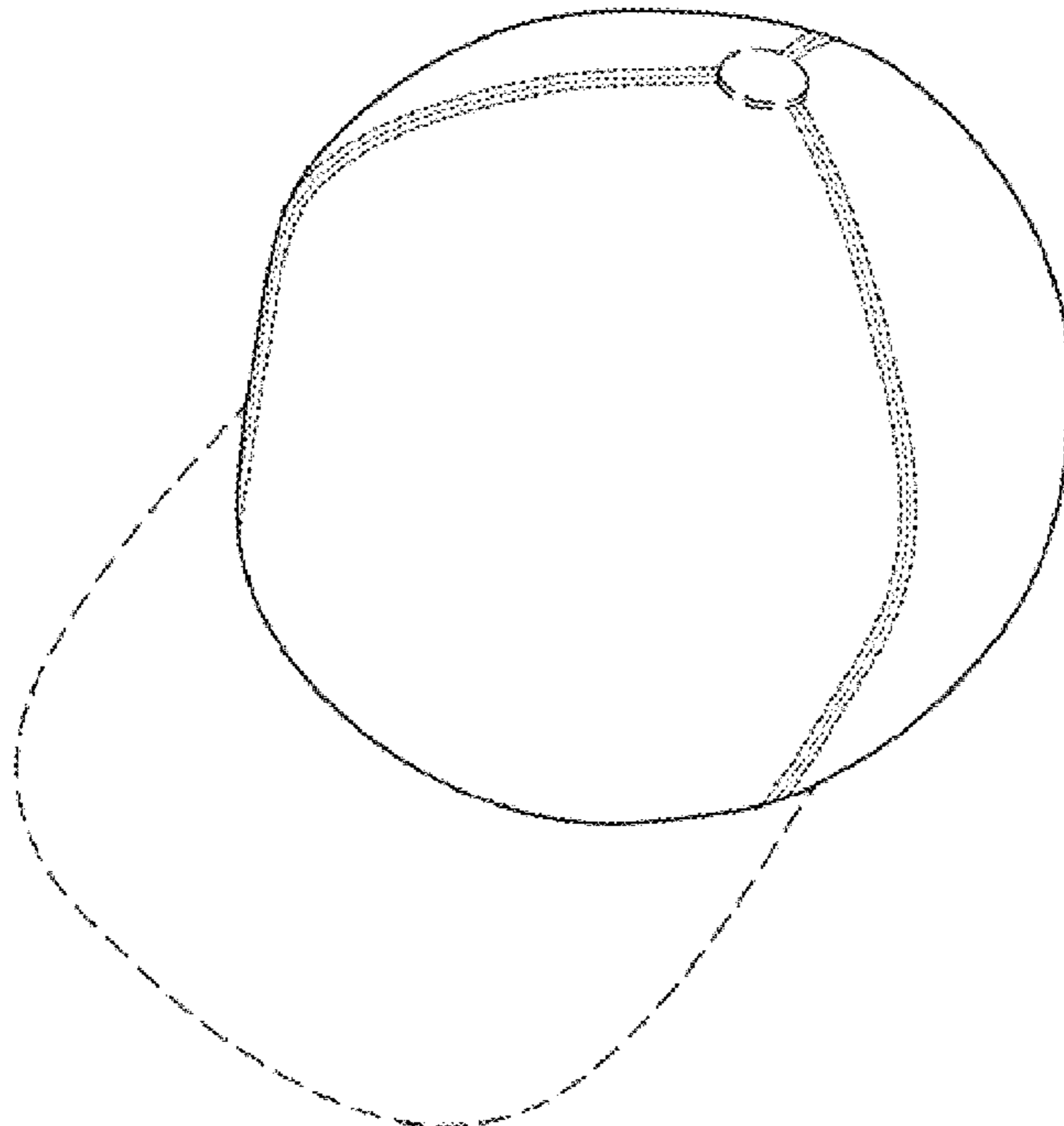


FIG. 1

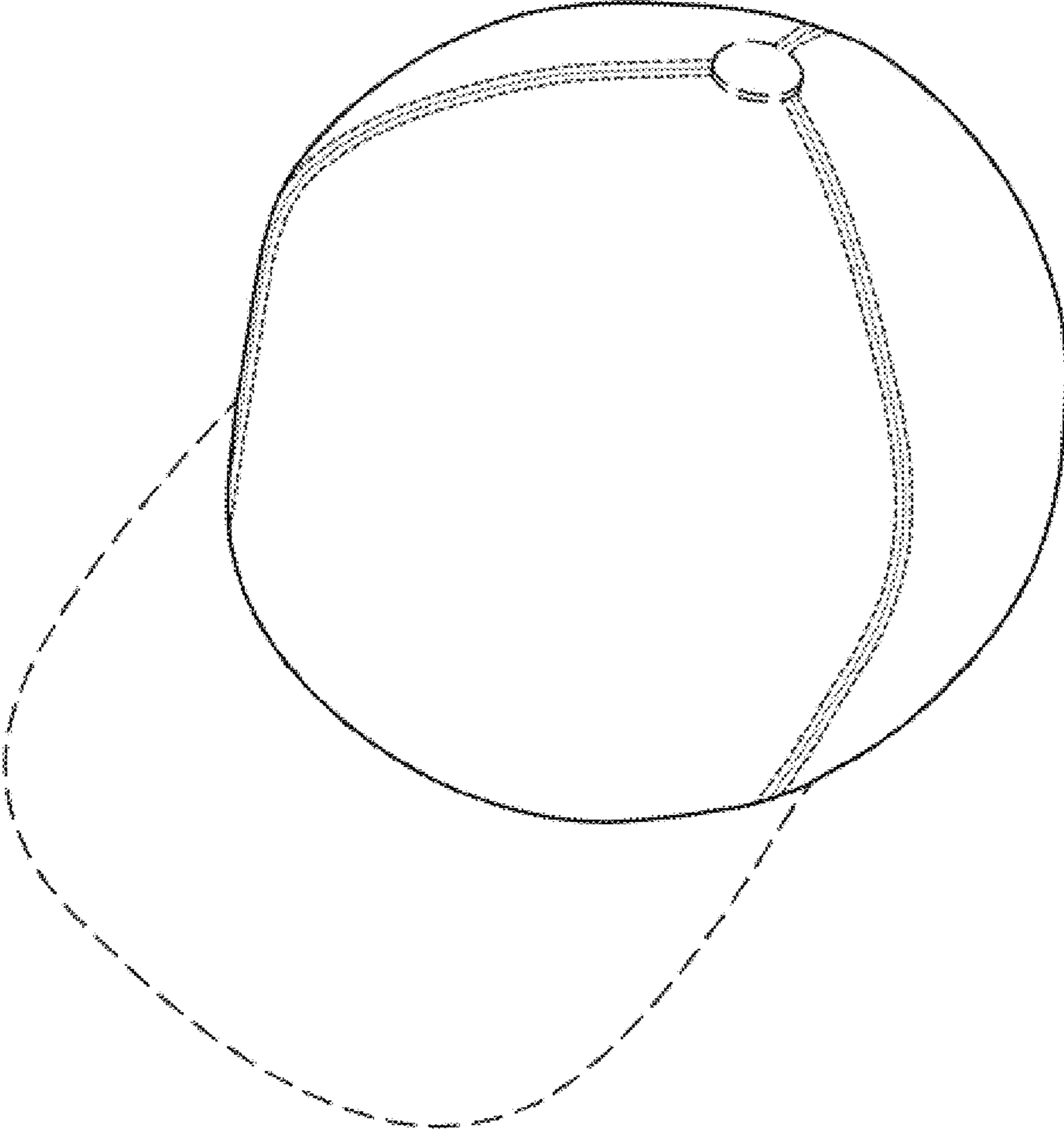


FIG. 2

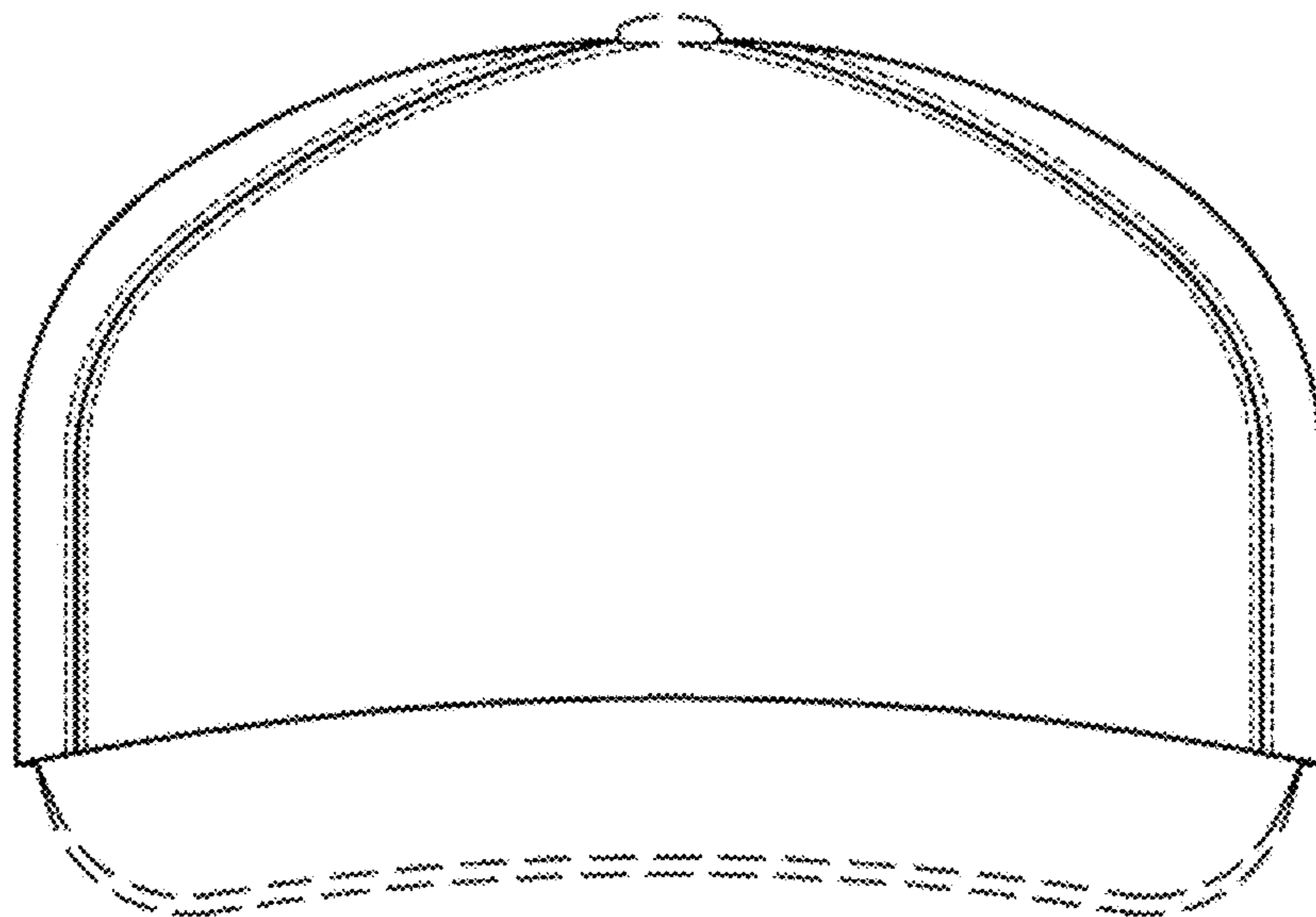


FIG. 3

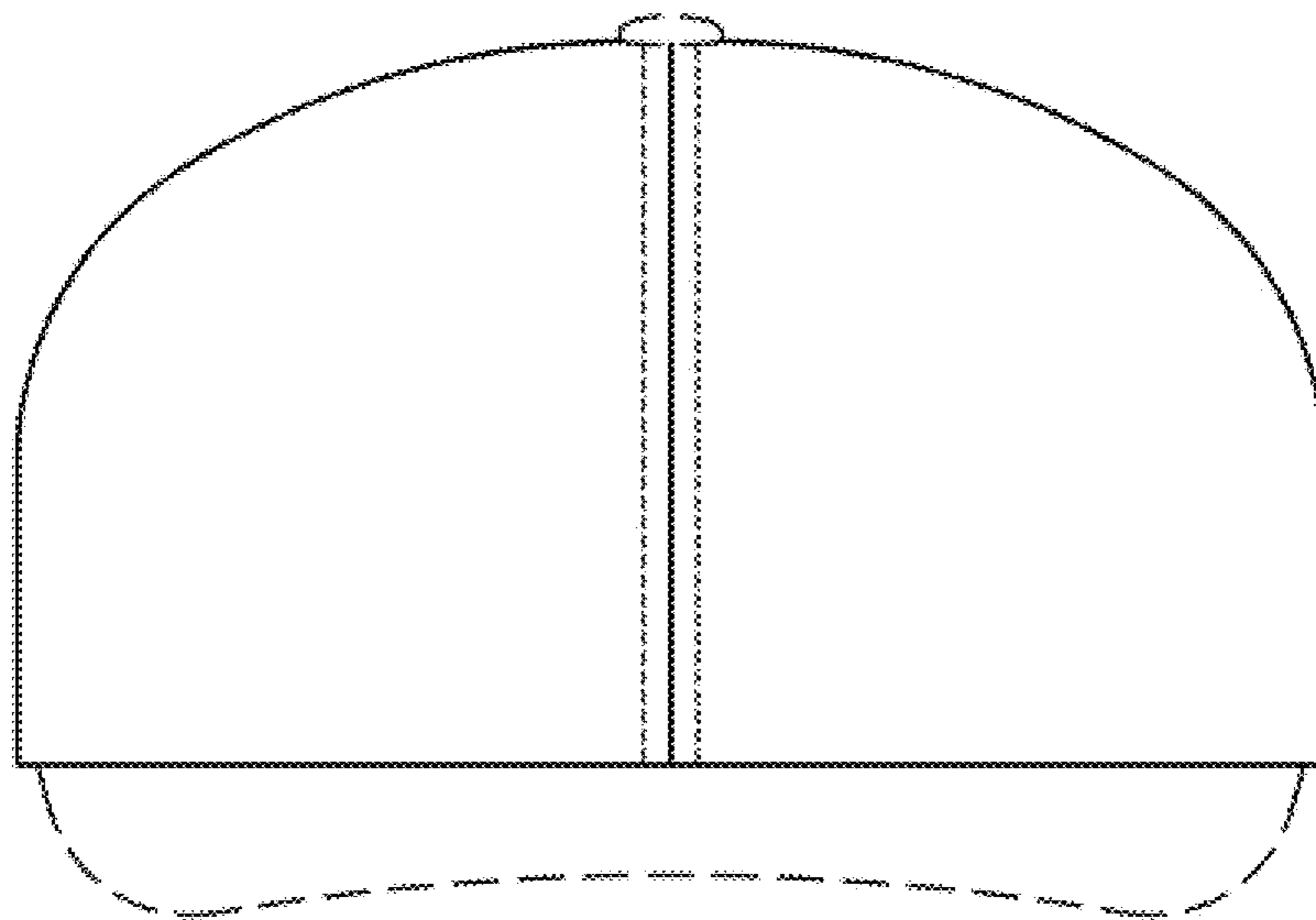


FIG. 4

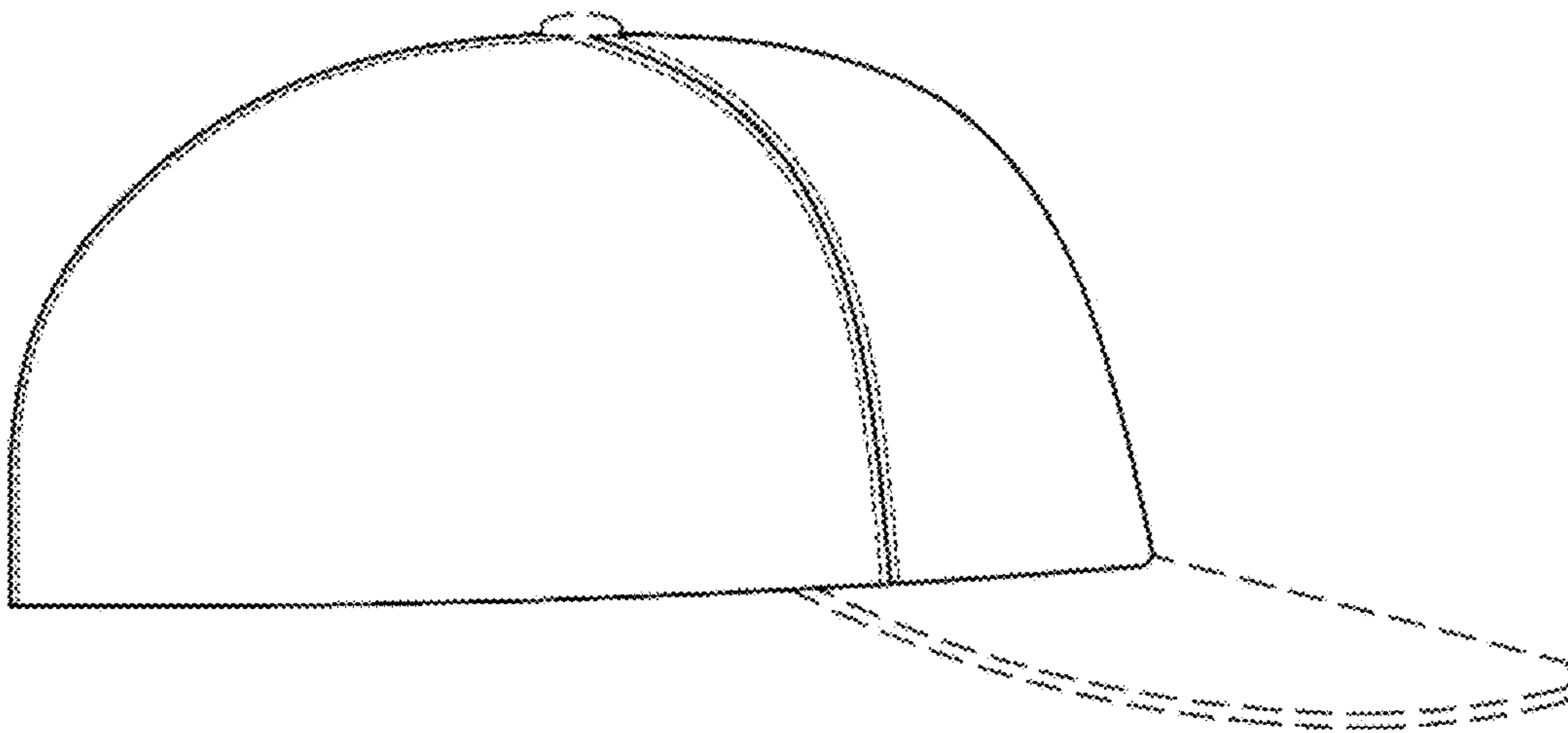


FIG. 5

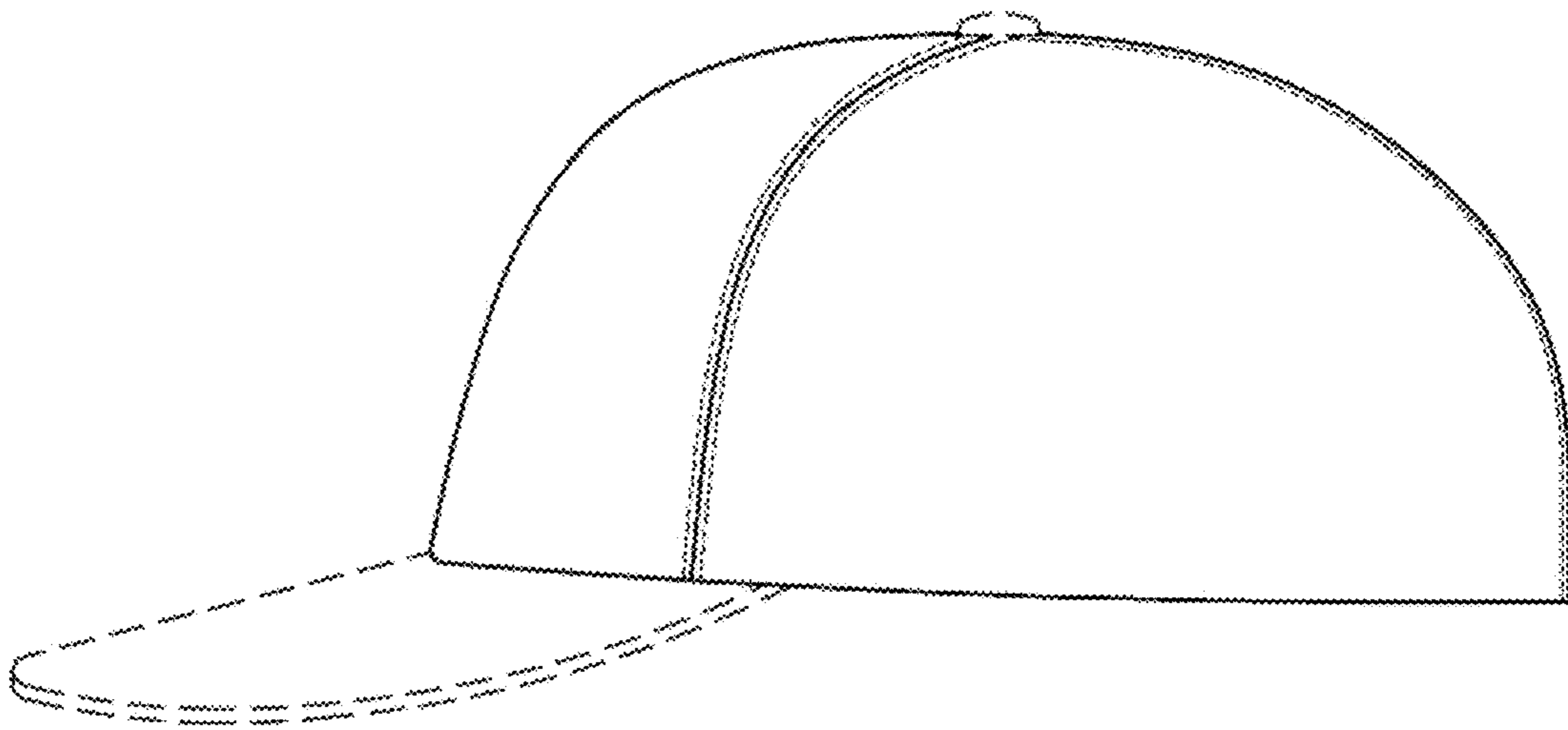


FIG. 6

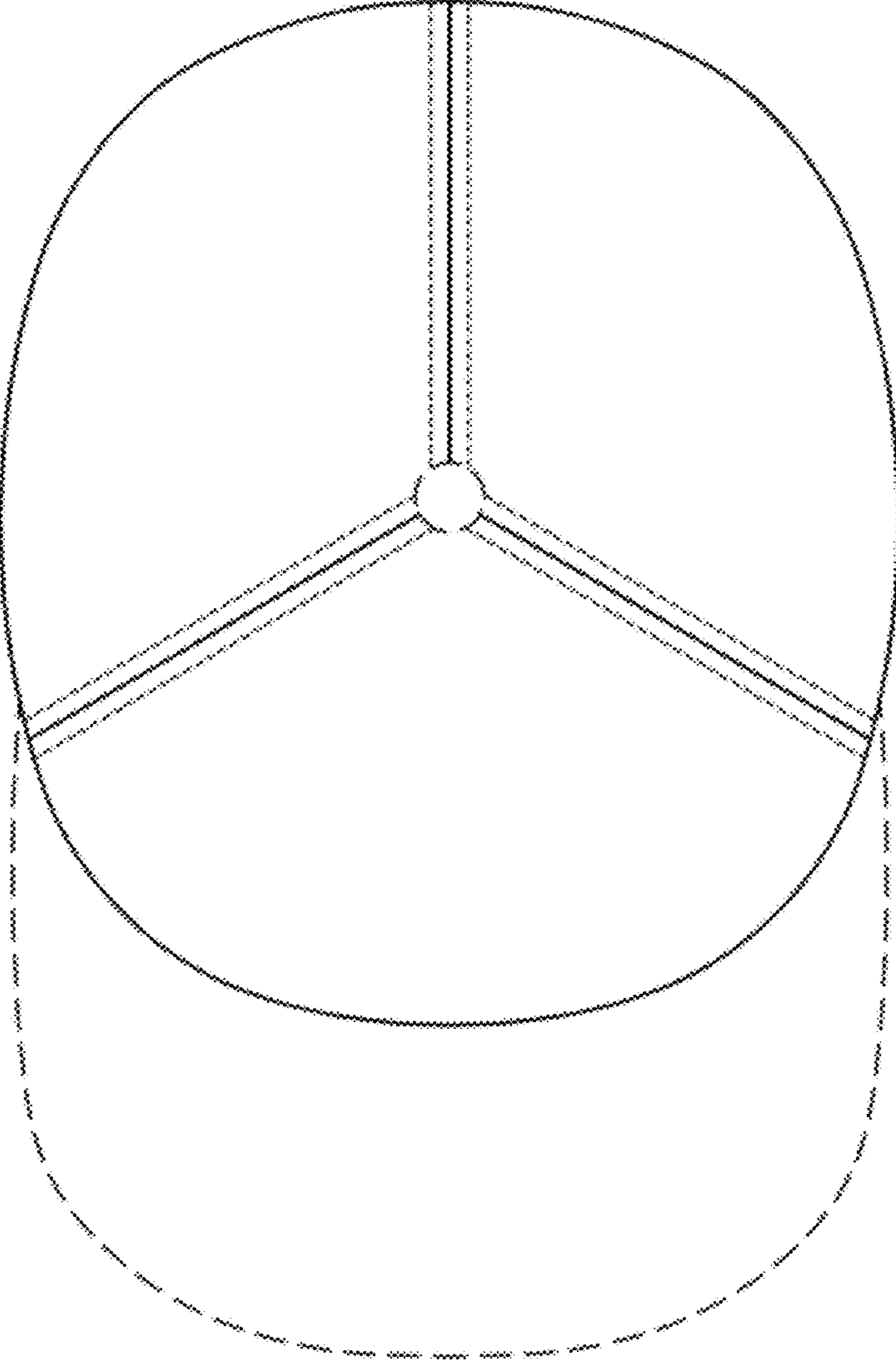


FIG. 7

