



US00D909008S

(12) **United States Design Patent**  
**Qiu et al.**

(10) **Patent No.:** **US D909,008 S**

(45) **Date of Patent:** **\*\* Feb. 2, 2021**

(54) **BELT COVER**

(71) Applicant: **ZhiCheng Xie**, Shenzhen (CN)

(72) Inventors: **XiaoFei Qiu**, Shenzhen (CN);  
**ZhiCheng Xie**, Shenzhen (CN)

(73) Assignee: **ZhiCheng Xie**, Shenzhen (CN)

(\*\*) Term: **15 Years**

(21) Appl. No.: **29/704,880**

(22) Filed: **Sep. 9, 2019**

(30) **Foreign Application Priority Data**

Aug. 23, 2019 (CN) ..... 2019 3 0461176

(51) **LOC (13) Cl.** ..... **02-04**

(52) **U.S. Cl.**  
USPC ..... **D2/627**

(58) **Field of Classification Search**

USPC ..... D2/624–629, 631, 635–640, 720, 815,  
D2/838, 859, 894; D3/221, 222, 224,  
D3/226, 228; D11/5, 13; D24/190;  
D29/101.1, 101.3

CPC ..... A41D 13/1236; A41F 11/02; A41F 11/16;  
A41F 3/02; A41F 5/00; A41F 9/02; A41F  
9/002; A41F 9/025; A45F 2003/006;  
F16G 13/00; B60R 22/00; B60R  
2022/006; F41C 33/001; F41C 33/002

See application file for complete search history.

(56) **References Cited**

**U.S. PATENT DOCUMENTS**

D294,540 S \* 3/1988 Richardson ..... 224/915  
4,795,190 A \* 1/1989 Weightman ..... B60R 22/00  
280/808  
D312,921 S \* 12/1990 Chang ..... D2/639  
D314,859 S \* 2/1991 Weightman ..... D2/639  
D320,110 S \* 9/1991 Hawkins ..... D2/639

D323,363 S \* 1/1992 Ely ..... D2/639  
D387,187 S \* 12/1997 Connor ..... D11/200  
D396,938 S \* 8/1998 Bugatti ..... D2/639  
D446,381 S \* 8/2001 Garfield ..... D2/500  
D513,962 S \* 1/2006 Beckwith ..... D8/322  
D607,399 S \* 1/2010 Wilson ..... D12/400  
D642,794 S \* 8/2011 Gerson ..... D3/226  
D721,888 S \* 2/2015 Nabet, Jr. .... B60R 22/00  
D3/226  
D795,569 S \* 8/2017 McCoy-Watson ..... D3/226  
D819,962 S \* 6/2018 Pomerantz ..... D3/221

\* cited by examiner

*Primary Examiner* — Kevin K Rudzinski

*Assistant Examiner* — Clare Ann Gannon

(57) **CLAIM**

The ornamental design for a belt cover, as shown and described.

**DESCRIPTION**

FIG. 1 is a perspective view of a belt cover showing my new design;

FIG. 2 is another perspective view thereof;

FIG. 3 is a front elevational view thereof;

FIG. 4 is a rear elevational view thereof;

FIG. 5 is a left side elevational view thereof;

FIG. 6 is a right side elevational view thereof;

FIG. 7 is a top plan view thereof;

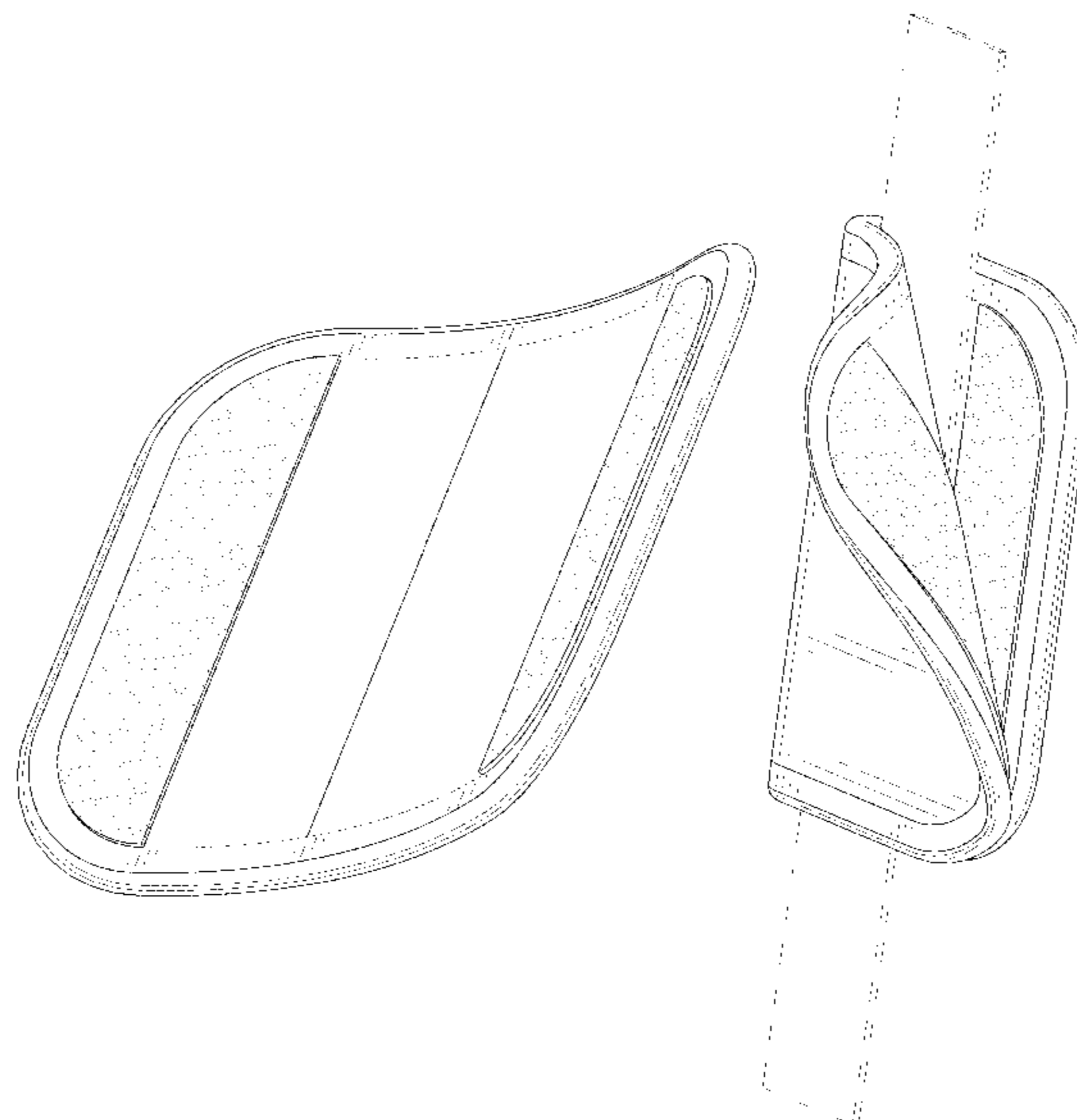
FIG. 8 is a bottom plan view thereof;

FIG. 9 is a perspective view of the belt cover where the belt cover is in a folded state; and,

FIG. 10 is a perspective view of the belt cover where the belt cover is in a configuration of use.

The broken lines depicting a seat belt in FIG. 10 of the drawings represent environment that forms no part of the claimed design. All other broken lines, which are immediately adjacent to shaded surfaces, depict portions of the belt cover that form no part of the claimed design.

**1 Claim, 10 Drawing Sheets**



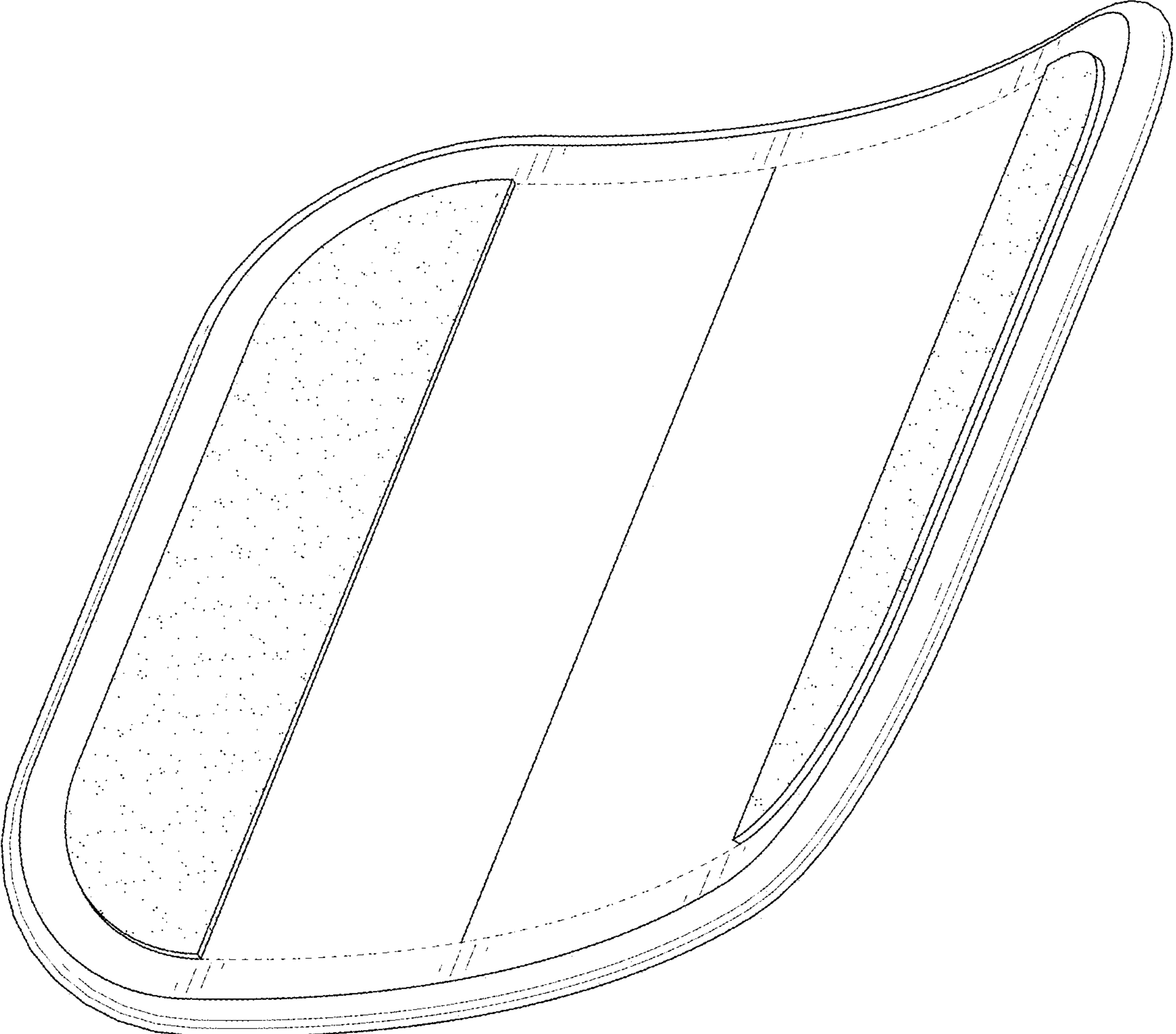


FIG. 1

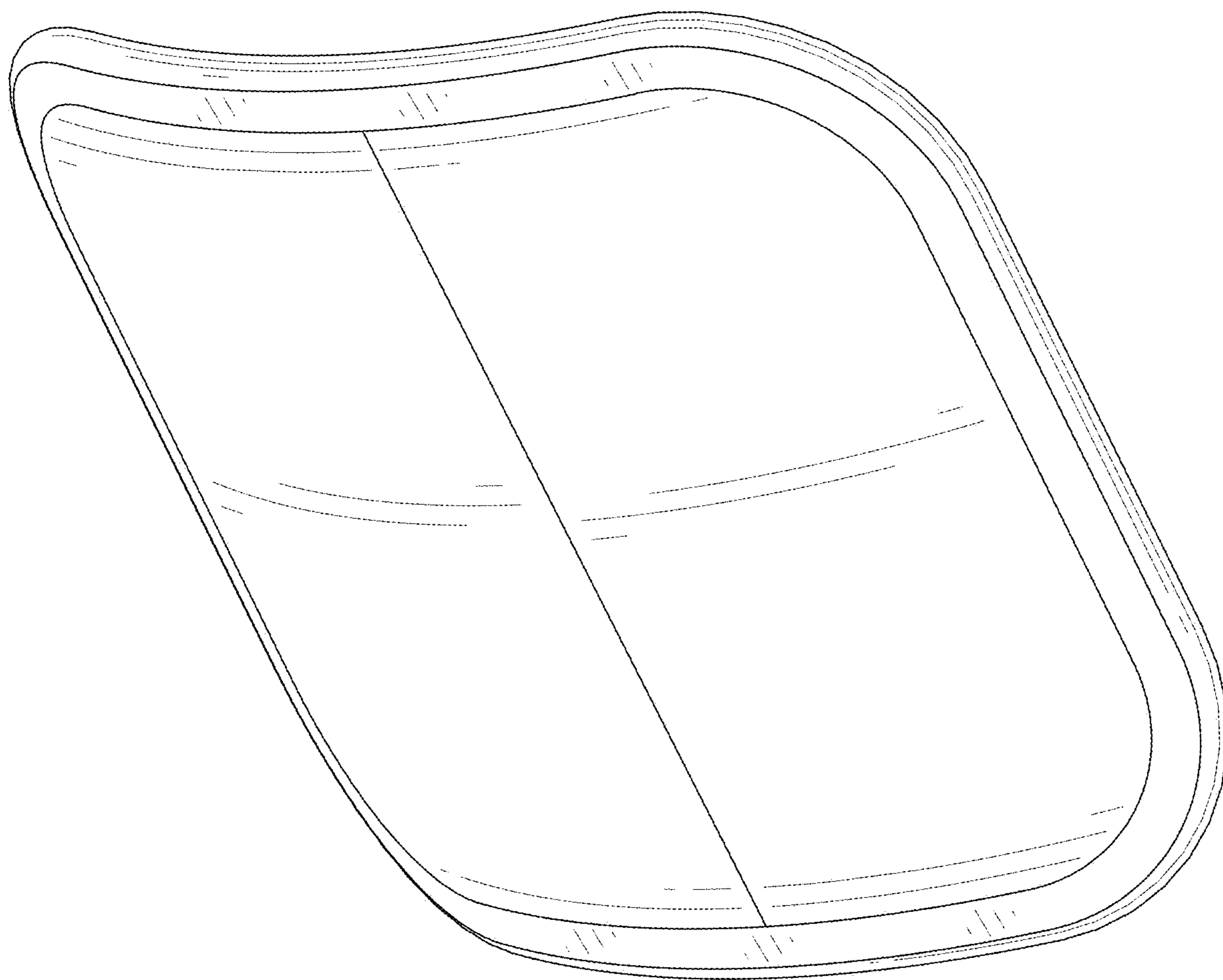


FIG. 2

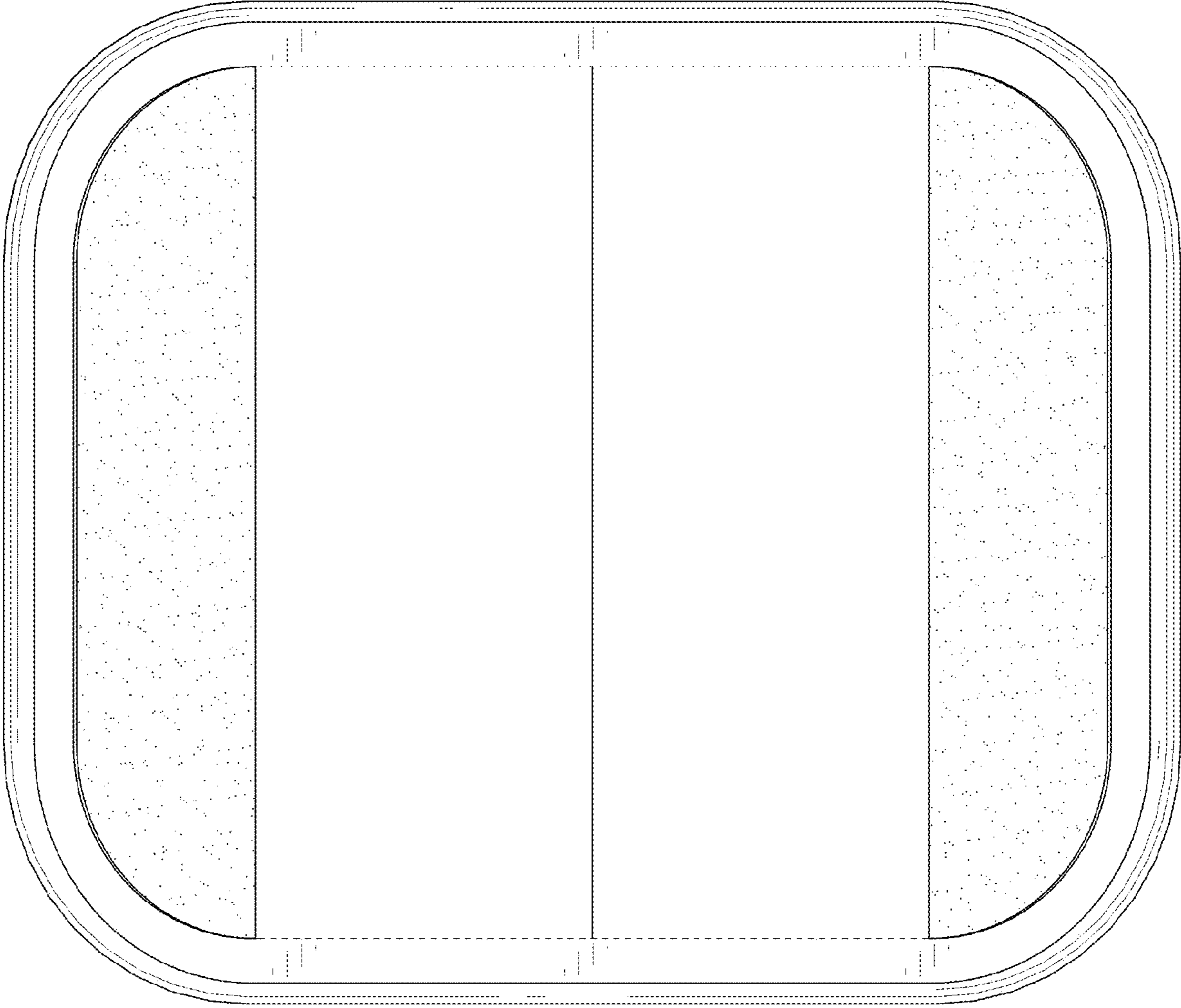


FIG. 3

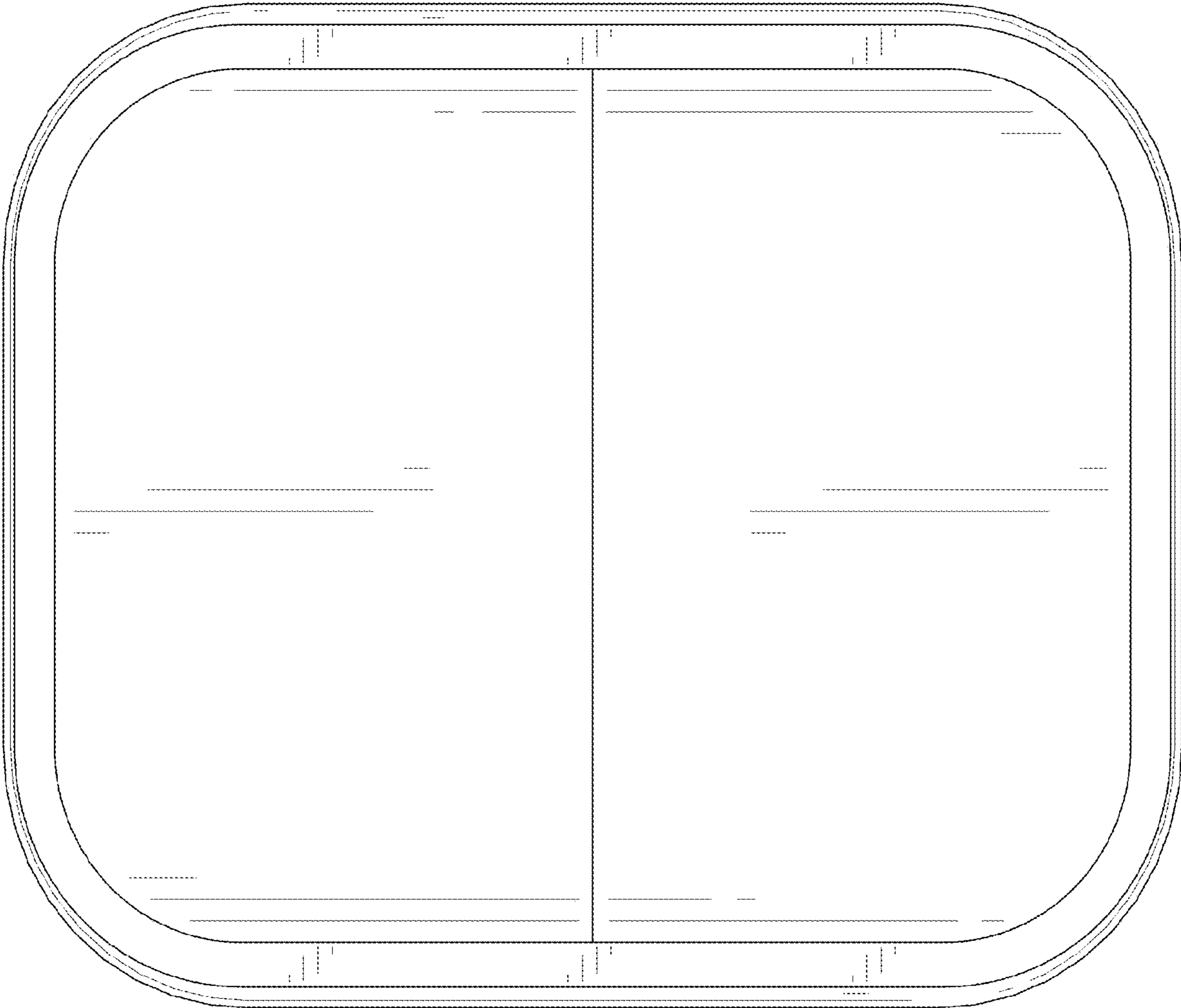


FIG. 4

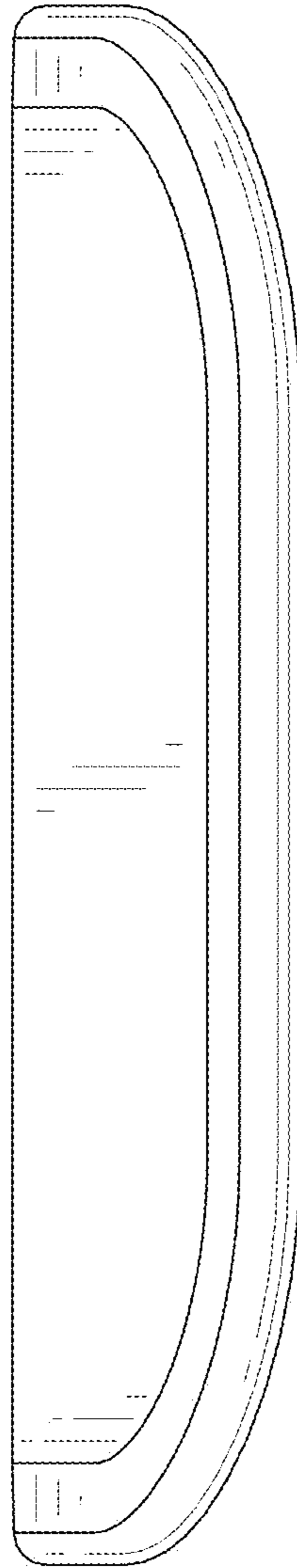


FIG. 5

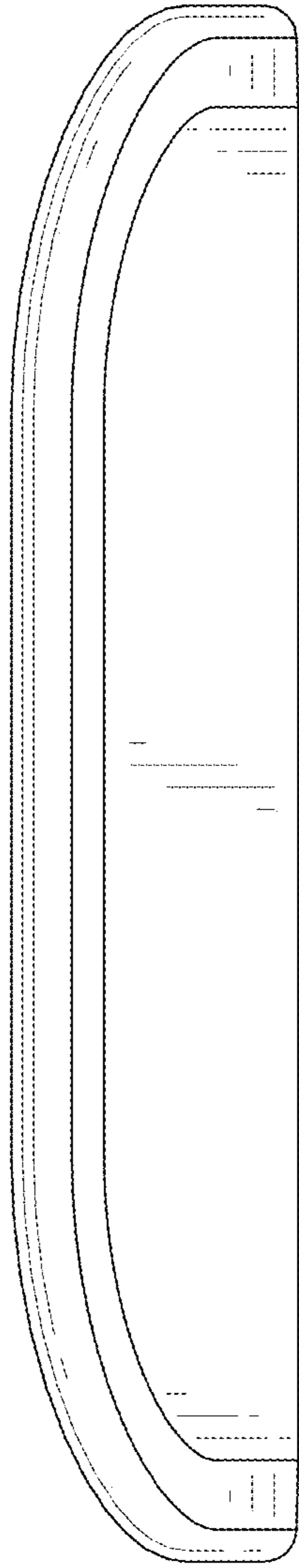


FIG. 6

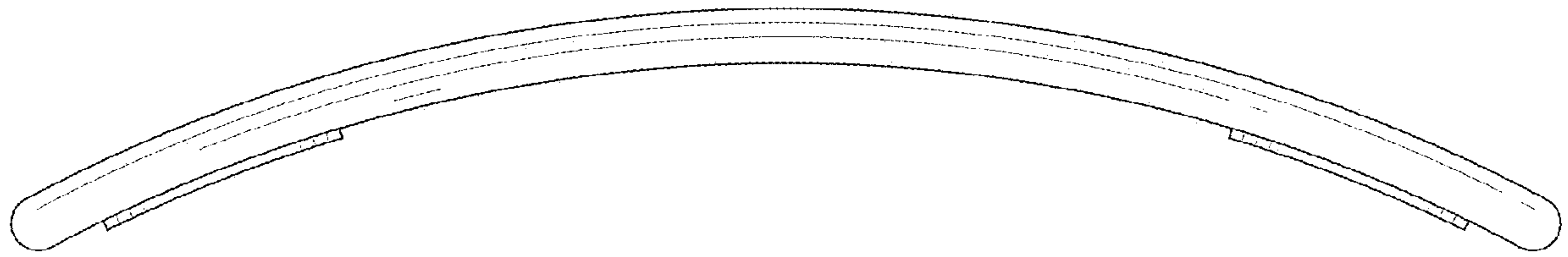


FIG. 7



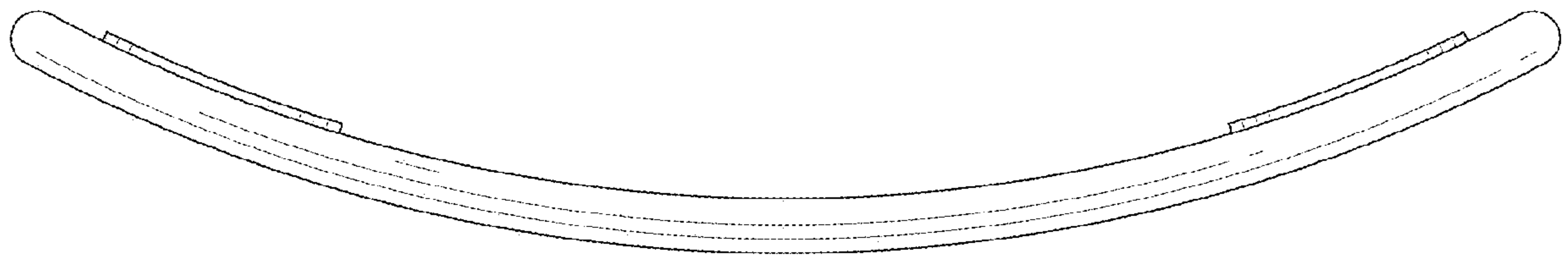


FIG. 8

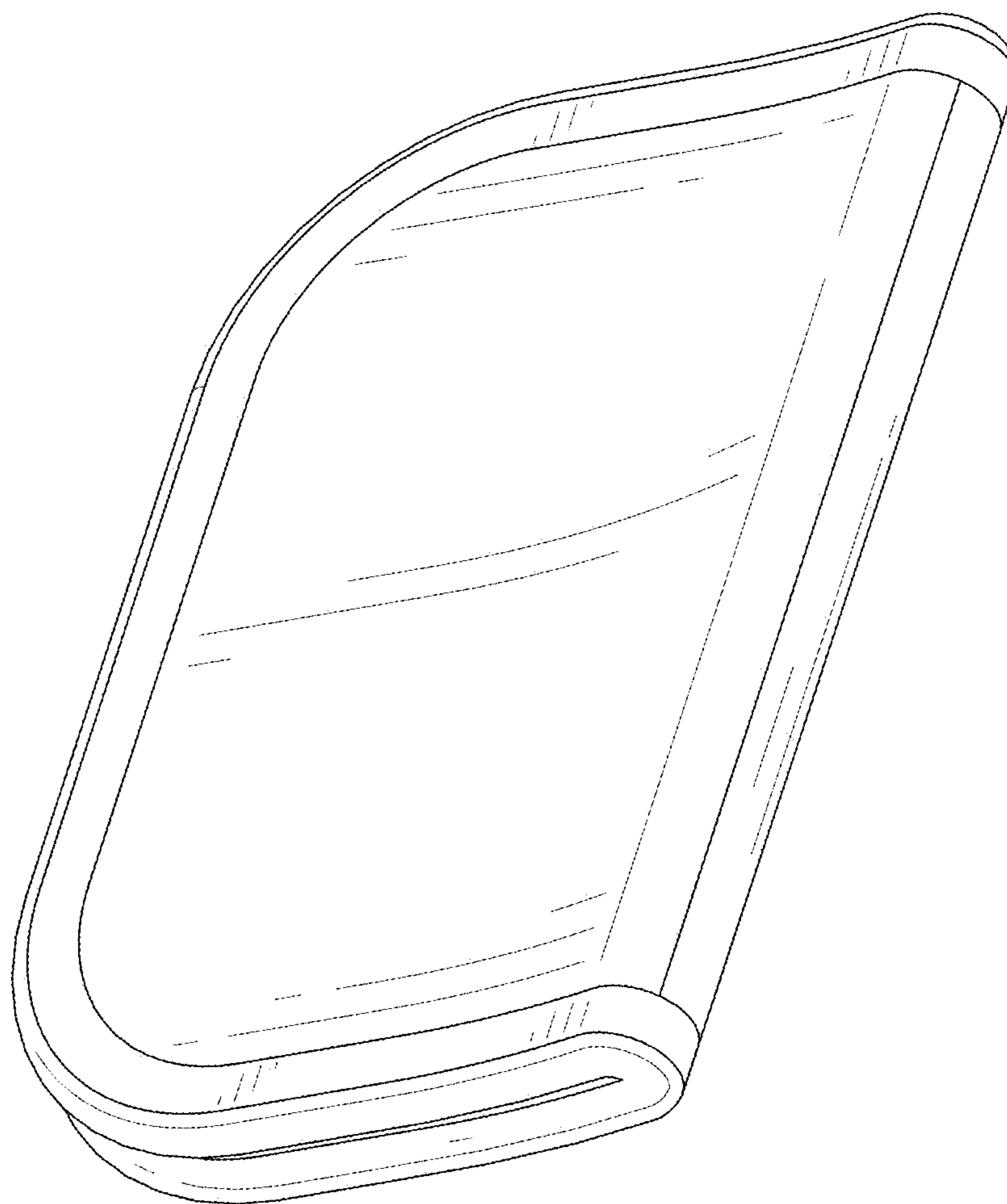


FIG. 9

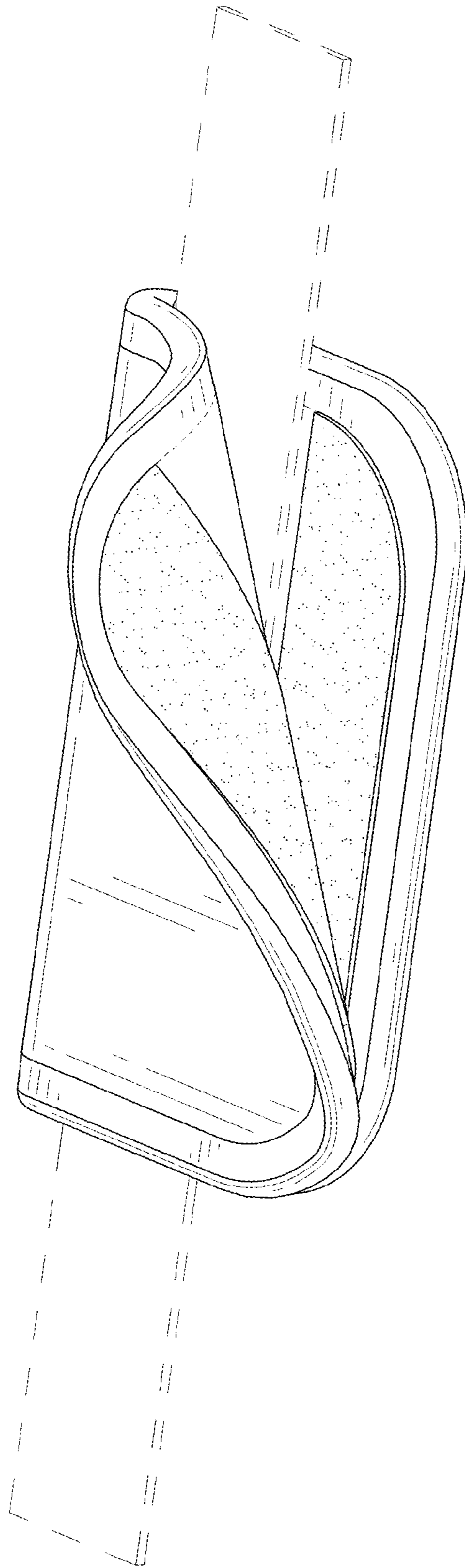


FIG. 10