



US00D909005S

(12) **United States Design Patent**
Herbeck et al.

(10) **Patent No.:** **US D909,005 S**
(45) **Date of Patent:** **** Jan. 26, 2021**

(54) **FOLDABLY CONSTRUCTED PALLET**

(74) *Attorney, Agent, or Firm* — Dorsey & Whitney LLP

(71) Applicant: **Green Ox Pallet Technology, LLC**,
Centennial, CO (US)

(57) **CLAIM**

We claim the ornamental design for a foldably constructed pallet, as shown and described.

(72) Inventors: **Joshua Daniel Herbeck**, Centennial,
CO (US); **Gregory D. Van de Mark**,
Centennial, CO (US)

DESCRIPTION

(73) Assignee: **GREEN OX PALLET
TECHNOLOGY, LLC**, Centennial,
CO (US)

FIG. 1 is a top isometric exploded view of a foldably constructed pallet in a first folded configuration. The pallet insert is shown in dashed lines for environment.

(**) Term: **15 Years**

FIG. 2 is a bottom isometric exploded view of the foldably constructed pallet of FIG. 1 in the first folded configuration.

(21) Appl. No.: **29/684,025**

FIG. 3 is a top isometric exploded view of the foldably constructed pallet of FIG. 1 in a second folded configuration.

(22) Filed: **Mar. 18, 2019**

FIG. 4 is a bottom isometric exploded view of the foldably constructed pallet of FIG. 1 in the second folded configuration.

(51) **LOC (13) Cl.** **09-08**

(52) **U.S. Cl.**
USPC **D34/38**

FIG. 5 is an isometric view of the foldably constructed pallet top of FIG. 1 in an unfolded configuration.

(58) **Field of Classification Search**
USPC D34/28, 29, 30, 31, 32, 33, 34, 35, 36,
D34/37, 38; D25/119, 120, 122, 123,
(Continued)

FIG. 6 is a top plan view of the foldably constructed pallet top of FIG. 5.

(56) **References Cited**

U.S. PATENT DOCUMENTS

D370,762 S * 6/1996 Young, Jr. D34/38
5,690,037 A * 11/1997 Hill B65D 19/0026
108/51.11

FIG. 7 is a bottom plan view of the foldably constructed pallet top of FIG. 5.

FIG. 8 is a front elevation view of the foldably constructed pallet top of FIG. 5.

FIG. 9 is a rear elevation view of the foldably constructed pallet top of FIG. 5.

FIG. 10 is a left side elevation view of the foldably constructed pallet top of FIG. 5.

FIG. 11 is a right side elevation view of the foldably constructed pallet top of FIG. 5.

FIG. 12 is an isometric view of the foldably constructed pallet bottom of FIG. 1 in an unfolded configuration.

(Continued)

OTHER PUBLICATIONS

OTB, announced 2020 [online], [site visited Mar. 5, 2020]. Available from internet, URL: <http://www.otbcontainer.com/pallets.html> (Year: 2020).*

FIG. 13 is a top plan view of the foldably constructed pallet bottom of FIG. 12.

FIG. 14 is a bottom plan view of the foldably constructed pallet bottom of FIG. 12.

FIG. 15 is a front elevation view of the foldably constructed pallet bottom of FIG. 12.

FIG. 16 is a rear elevation view of the foldably constructed pallet bottom of FIG. 12.

(Continued)

Primary Examiner — George A Bugg
Assistant Examiner — Tamara L Hahn

(Continued)

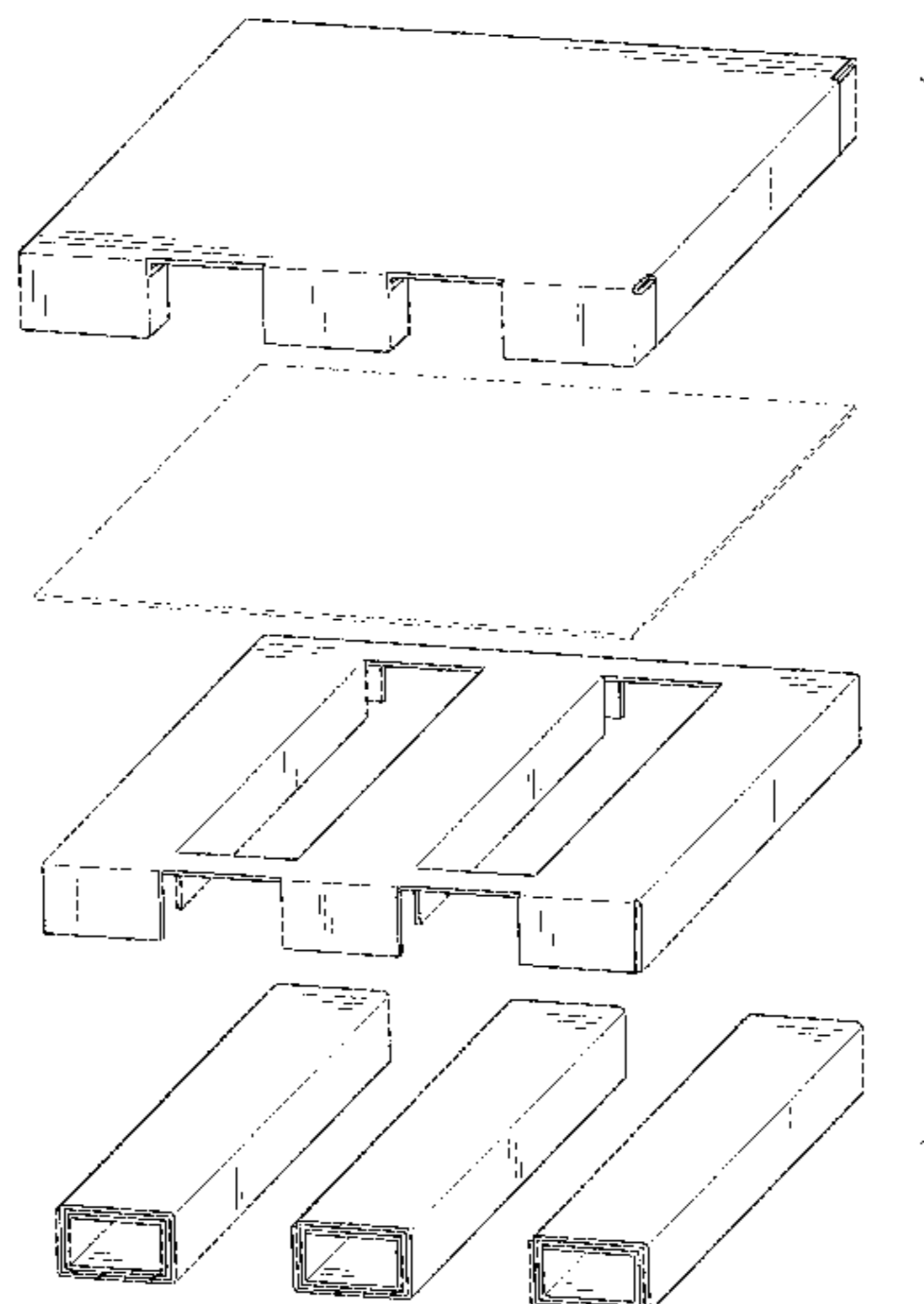


FIG. 17 is a left side elevation view of the foldably constructed pallet bottom of FIG. 12.
 FIG. 18 is a right side elevation view of the foldably constructed pallet bottom of FIG. 12.
 FIG. 19 is an isometric view of the foldably constructed pallet rails of FIG. 1 in a folded configuration.
 FIG. 20 is a front elevation view of the foldably constructed pallet rails of FIG. 19.
 FIG. 21 is a rear elevation view of the foldably constructed pallet rails of FIG. 19.
 FIG. 22 is a left side elevation view of the foldably constructed pallet rails of FIG. 19.
 FIG. 23 is a right side elevation view of the foldably constructed pallet rails of FIG. 19.
 FIG. 24 is a top plan view of the foldably constructed pallet rails of FIG. 19.
 FIG. 25 is a bottom plan view of the foldably constructed pallet rails of FIG. 19.
 FIG. 26 is an isometric view of the foldably constructed pallet of FIG. 1 in a first assembled configuration; and,
 FIG. 27 is an isometric view of the foldably constructed pallet of FIG. 1 in a second assembled configuration.
 The dashed lines in FIGS. 1-4 illustrate a pallet insert for environment and form no part of the claimed design. The dotted lines in FIGS. 5-7 and 12-14 represent fold lines of the claimed design.

1 Claim, 21 Drawing Sheets

(58) **Field of Classification Search**
 USPC D25/124, 125, 126; D8/349, 354,
 D8/373-377; D9/456
 CPC B65D 2519/00; B65D 2519/00273; B65D
 2519/00288; B65D 2519/00363; B65D
 2519/00069; B65B 65/00; E06B 1/12;

E04C 3/00; E04C 3/02; E04C 3/125;
 E04C 3/127; E04B 1/18; E04B 1/24

See application file for complete search history.

(56)

References Cited

U.S. PATENT DOCUMENTS

D746,536	S	*	12/2015	Herbeck	D34/38
D767,849	S	*	9/2016	Van de Mark	D34/38
D767,850	S	*	9/2016	Van de Mark	D34/38
D775,524	S	*	1/2017	Herbeck	D9/433
D776,397	S	*	1/2017	Herbeck	D34/38
D776,398	S	*	1/2017	Herbeck	D34/38
D781,023	S	*	3/2017	Johnson	D34/38
D781,523	S	*	3/2017	Roberts	D34/38
D800,988	S	*	10/2017	Van de Mark	D34/38
D808,608	S	*	1/2018	Van de Mark	D34/38
D816,375	S	*	5/2018	Roberts	D6/606
D816,939	S	*	5/2018	Blosser	D34/38
D819,924	S	*	6/2018	Darlow	D34/38
D828,973	S	*	9/2018	Herbeck	D34/38
D838,429	S	*	1/2019	Herbeck	D34/38
10,246,219	B2	*	4/2019	Herbeck	B65D 19/38
10,301,066	B2	*	5/2019	Van Riper	B65D 19/0018
D878,196	S	*	3/2020	Tsai	D9/432
D878,200	S	*	3/2020	Steiner	D9/433
2007/0068426	A1	*	3/2007	Teags	B65D 19/0028
						108/51.3
2016/0207558	A1	*	7/2016	Frankenberg	B65D 25/00

OTHER PUBLICATIONS

Millwood, announced 2020 [online], [site visited Mar. 5, 2020]. Available from internet, URL: <https://www.millwoodinc.com/Wood-Products-Pallets-Alternative-Pallets-Corrugated-Pallets> (Year: 2020).*
 Remmey, announced 2019 [online], [site visited Mar. 5, 2020]. Available from internet, URL: <https://www.remmey.com/corrugated-pallets/> (Year: 2019).*

* cited by examiner

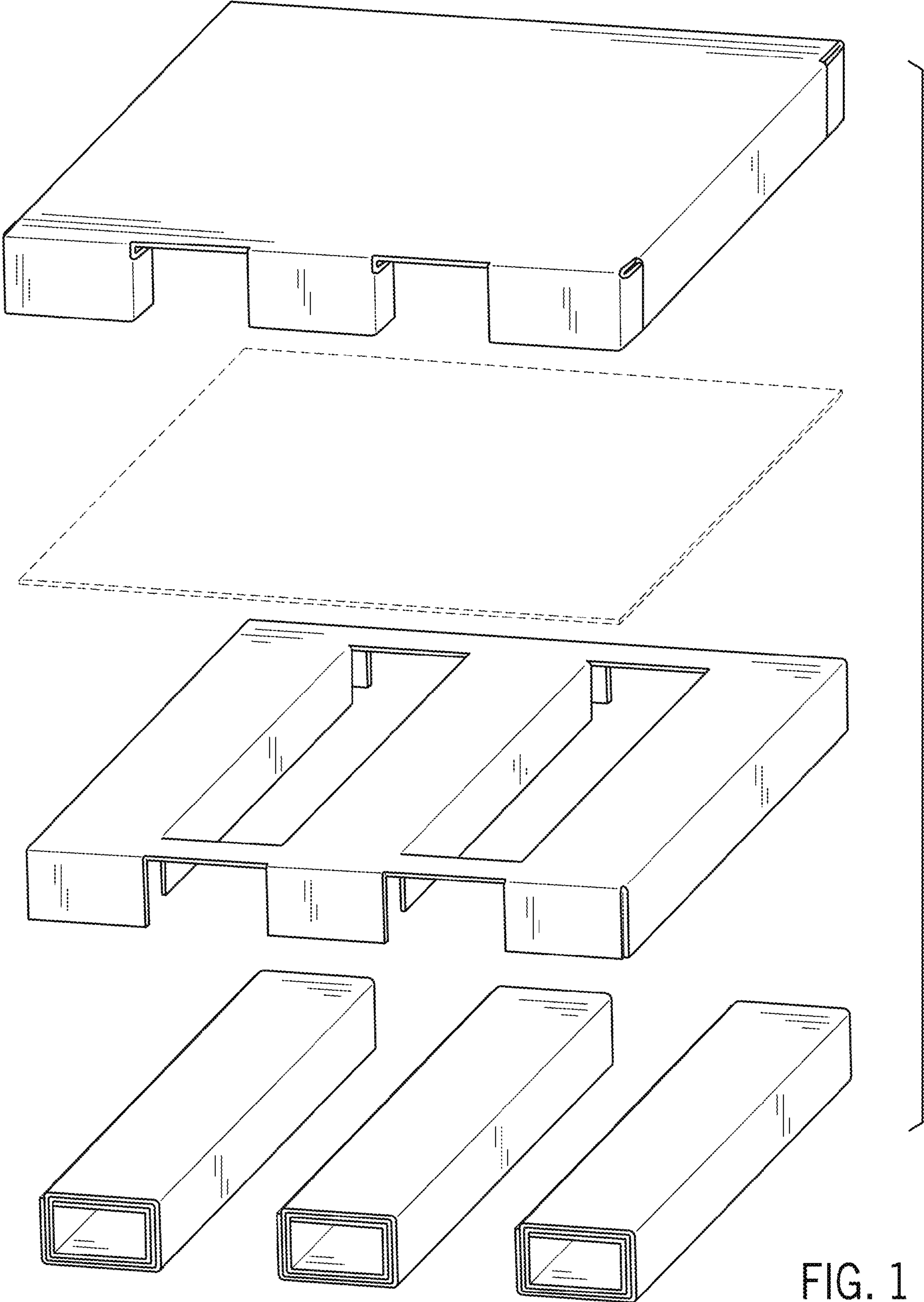


FIG. 1

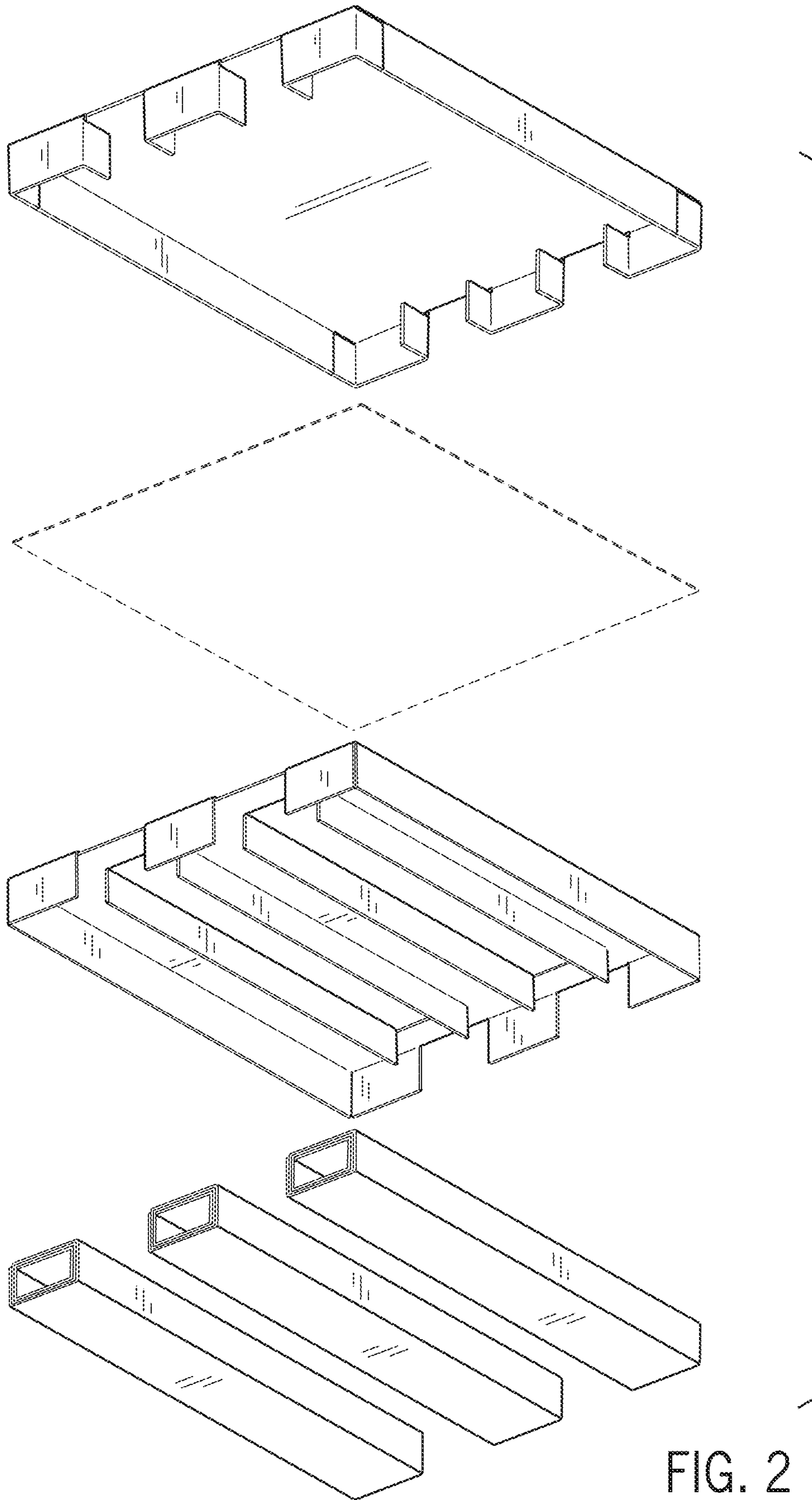


FIG. 2

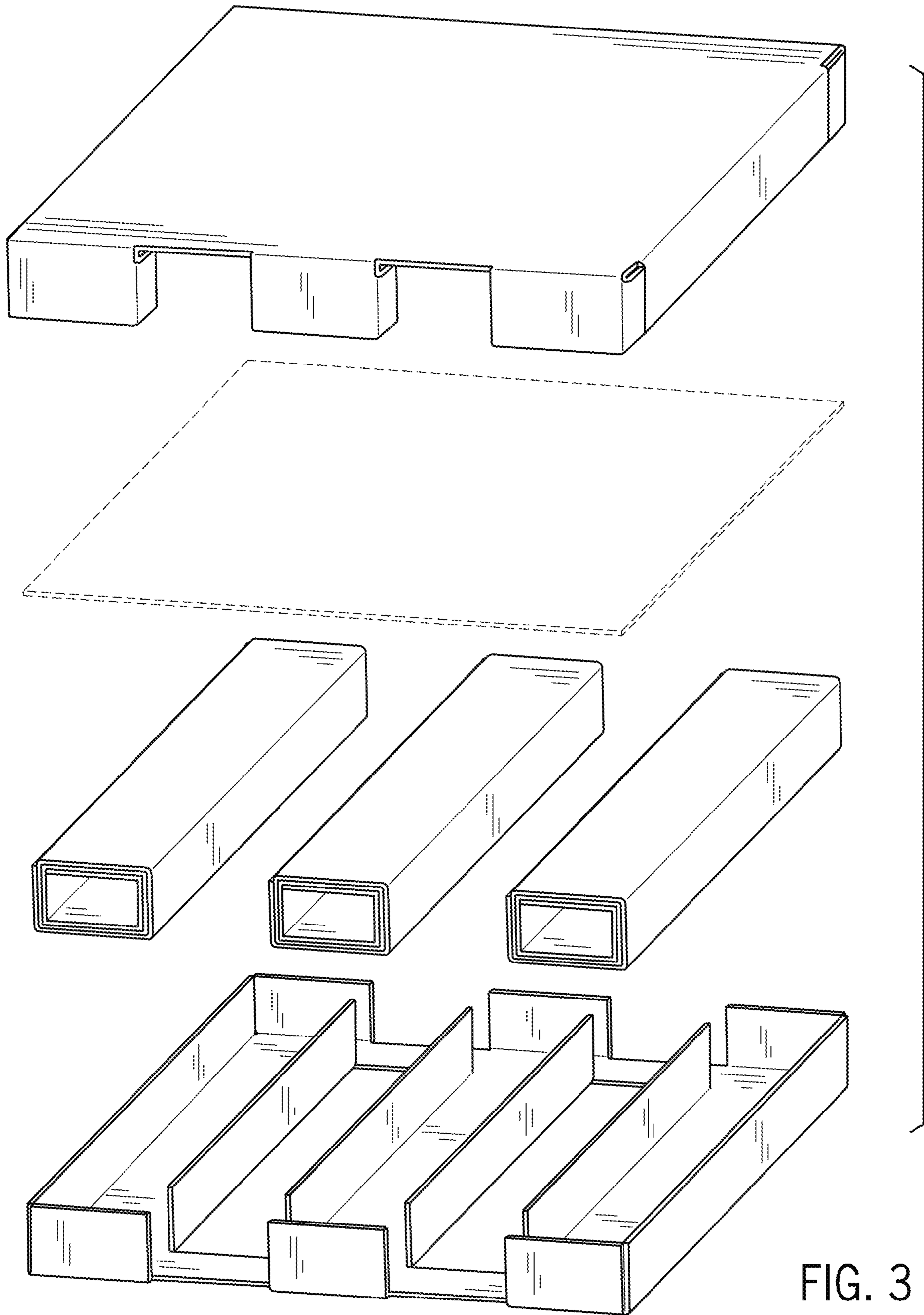
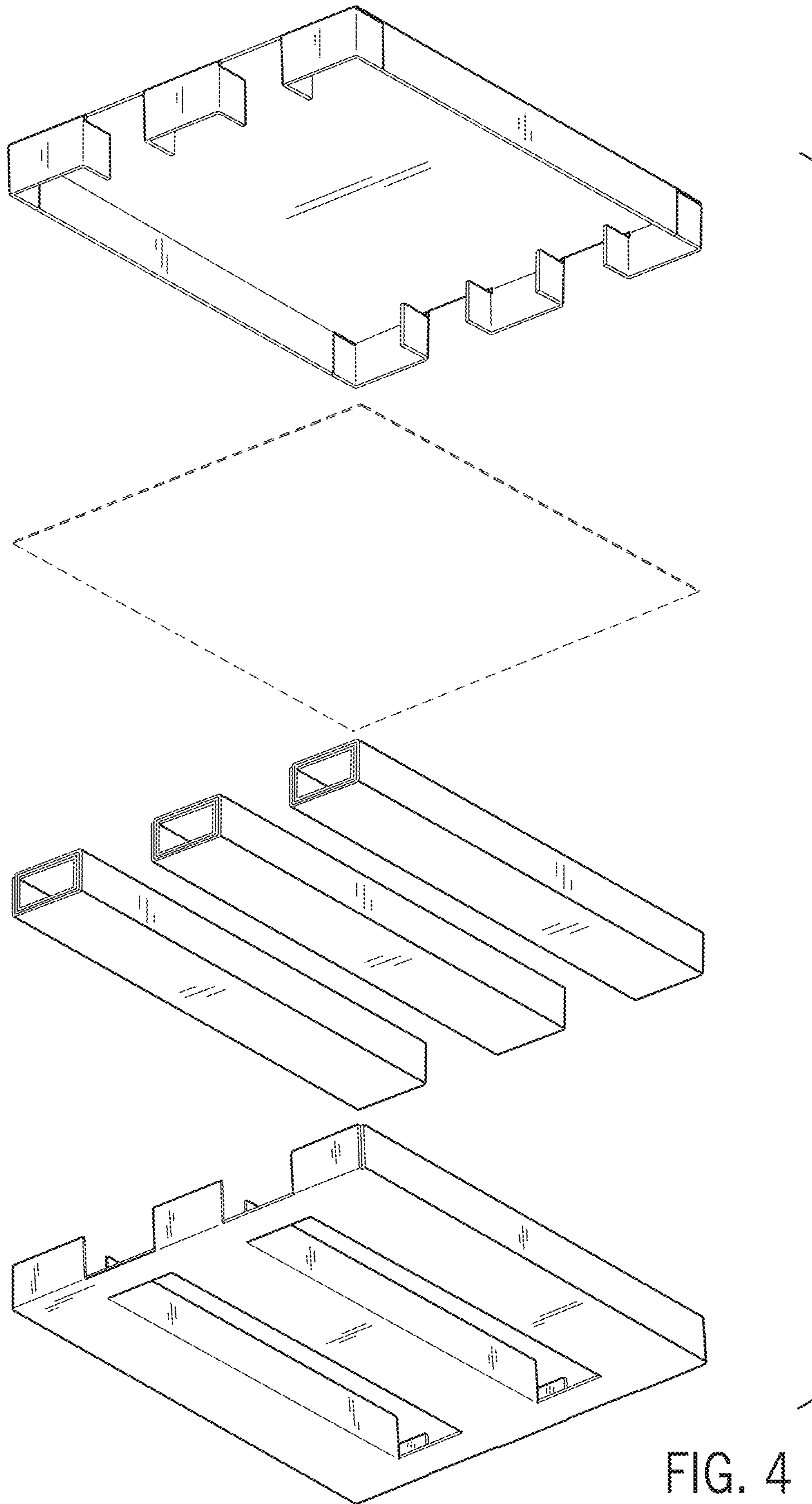


FIG. 3



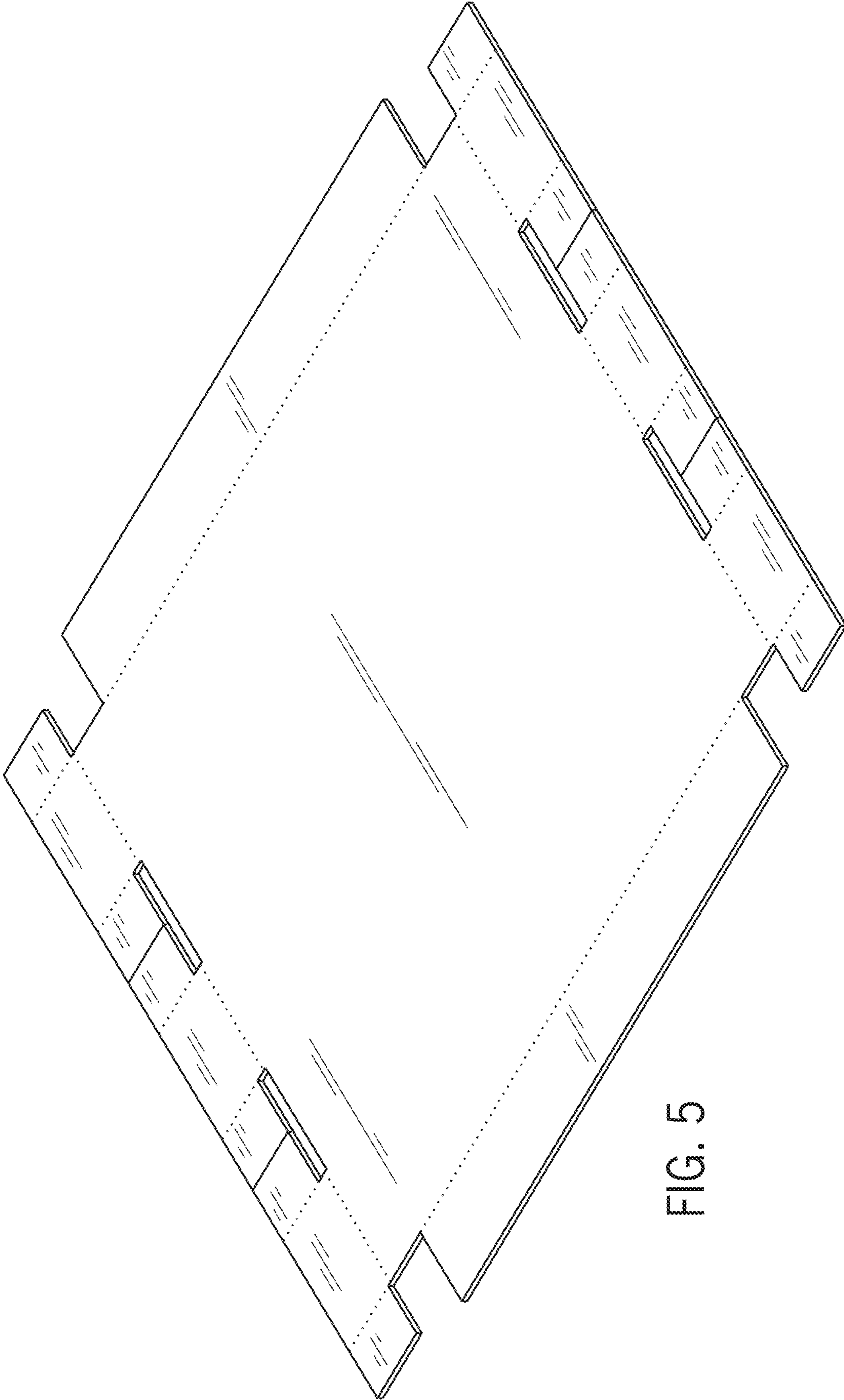


FIG. 5

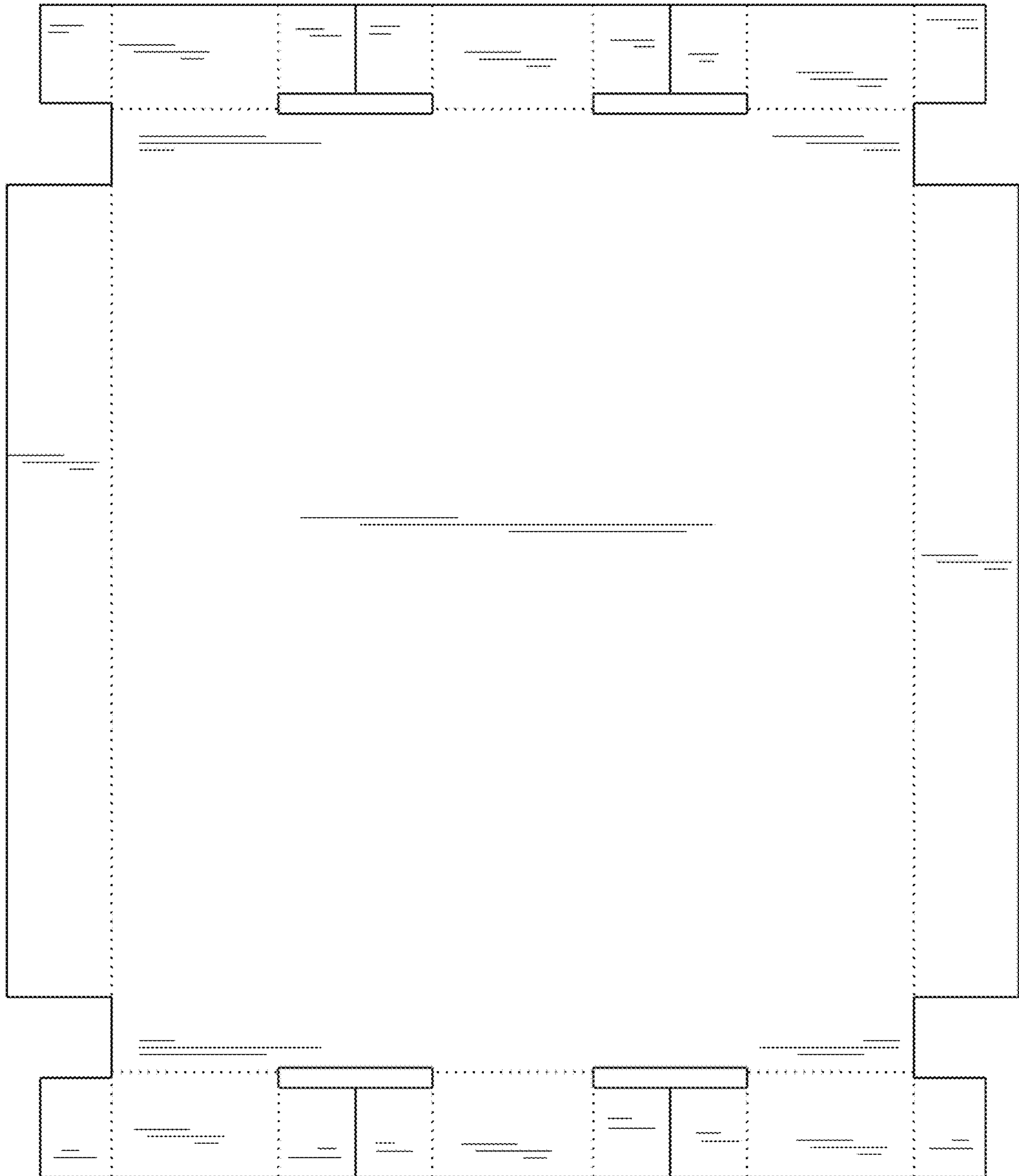


FIG. 6

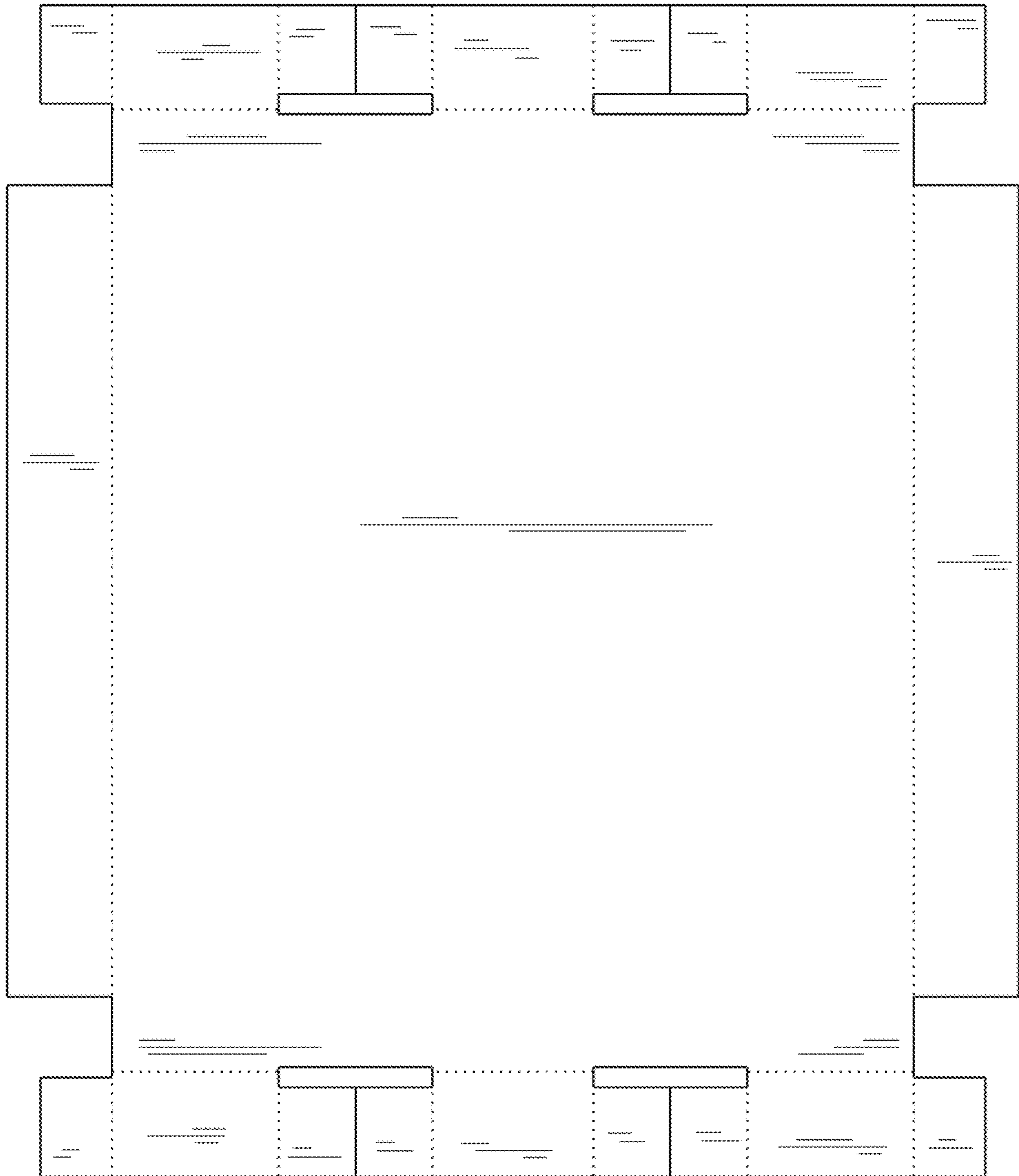


FIG. 7

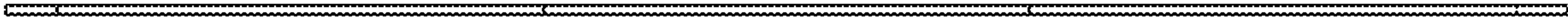


FIG. 8

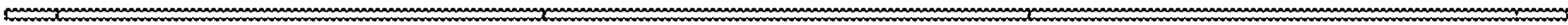


FIG. 9

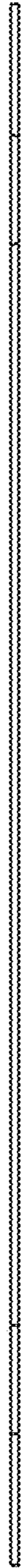


FIG. 10



FIG. 11

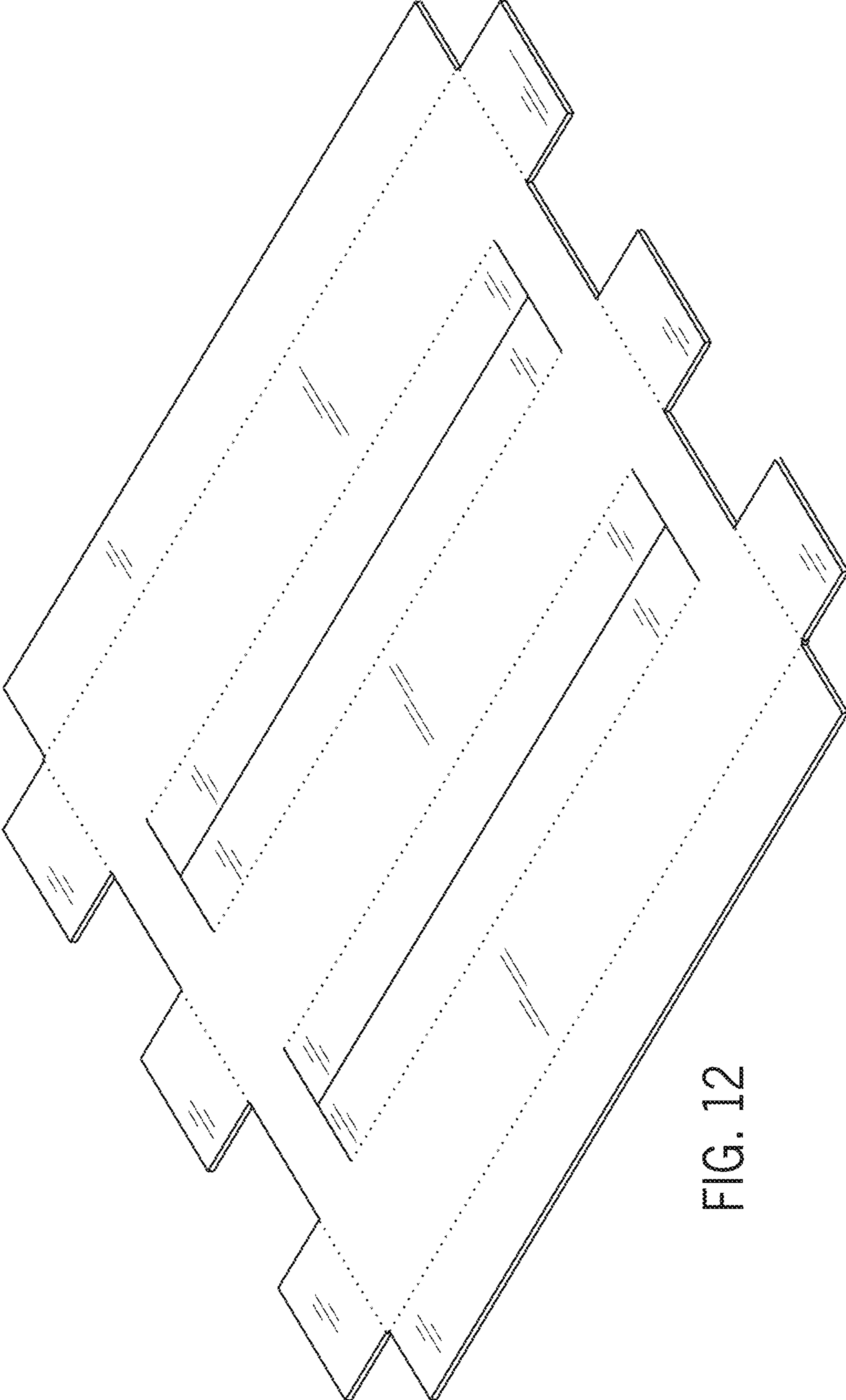


FIG. 12

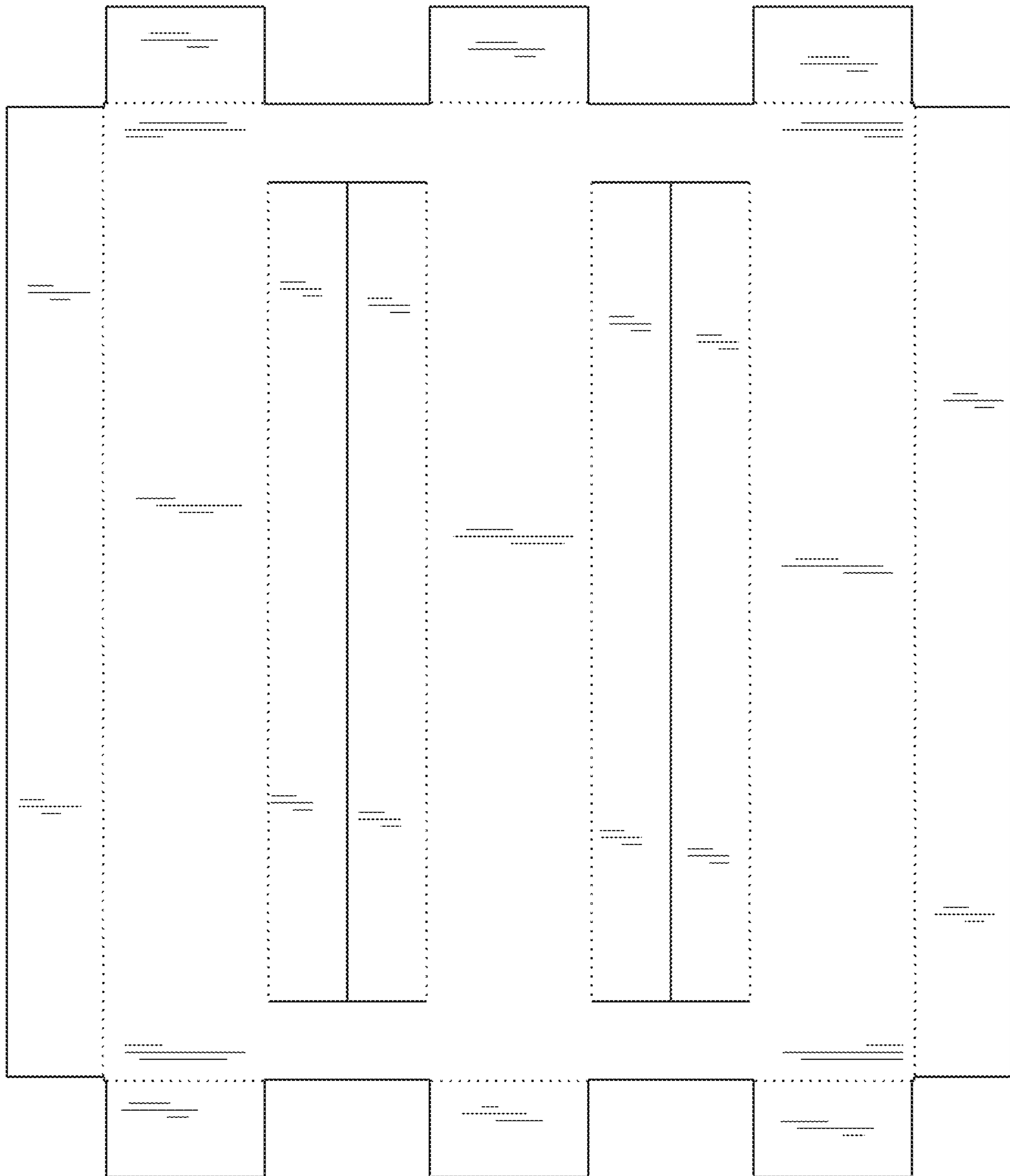


FIG. 13

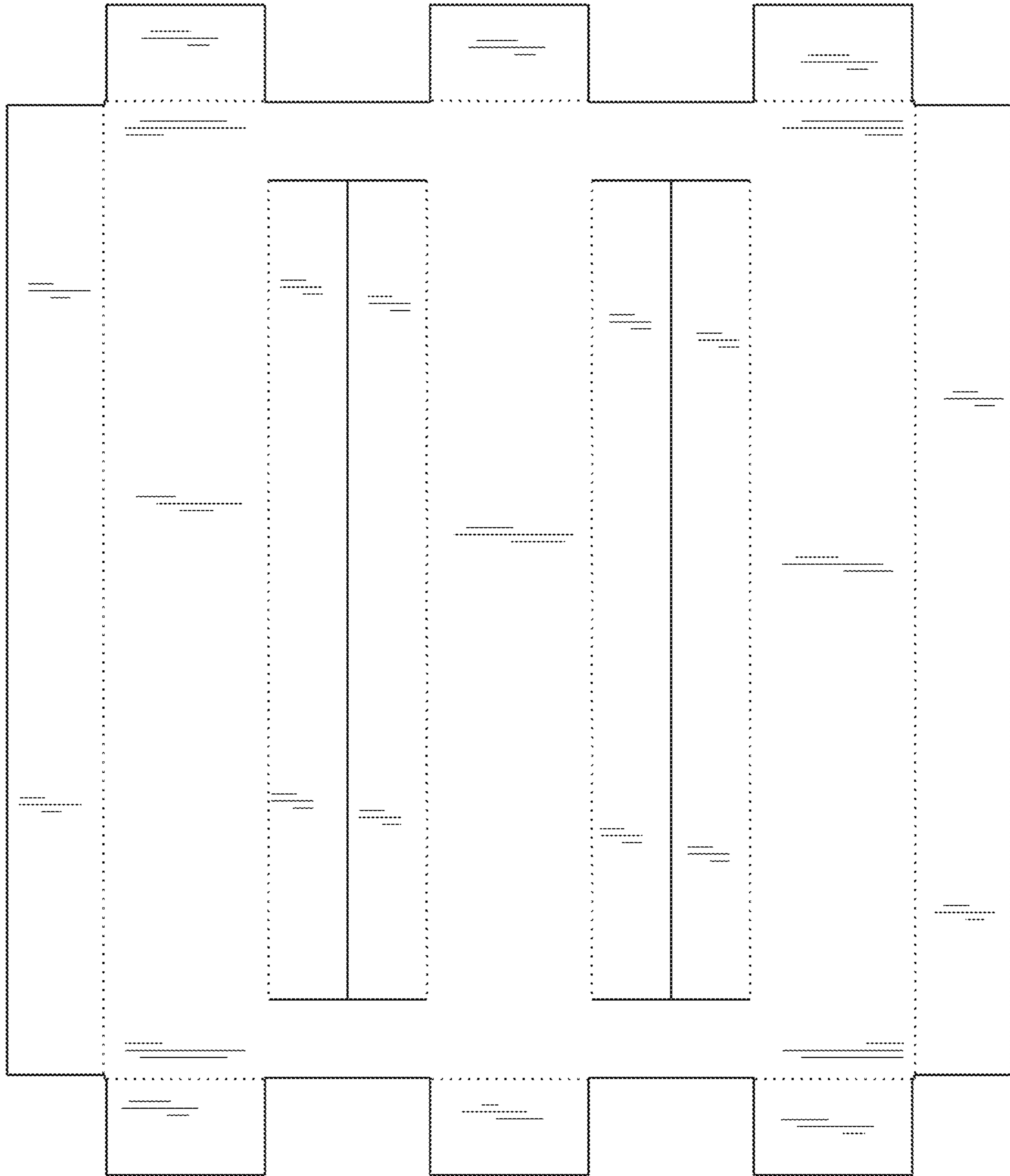


FIG. 14

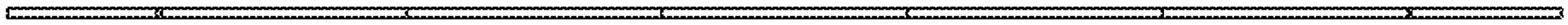


FIG. 15

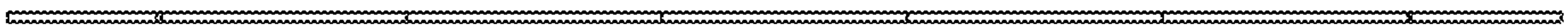


FIG. 16

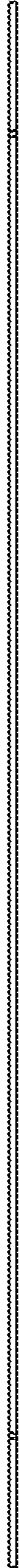


FIG. 17



FIG. 18

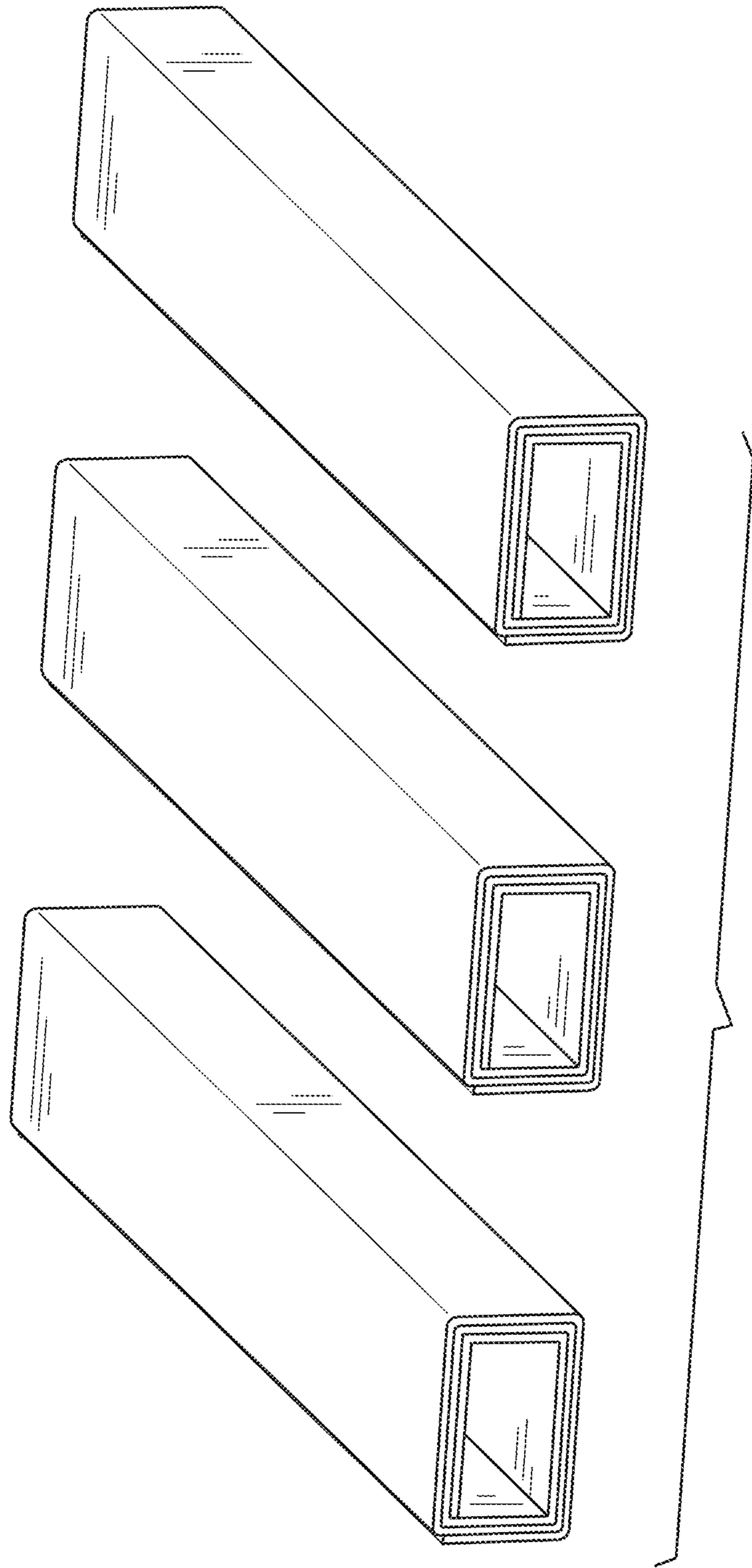


FIG. 19

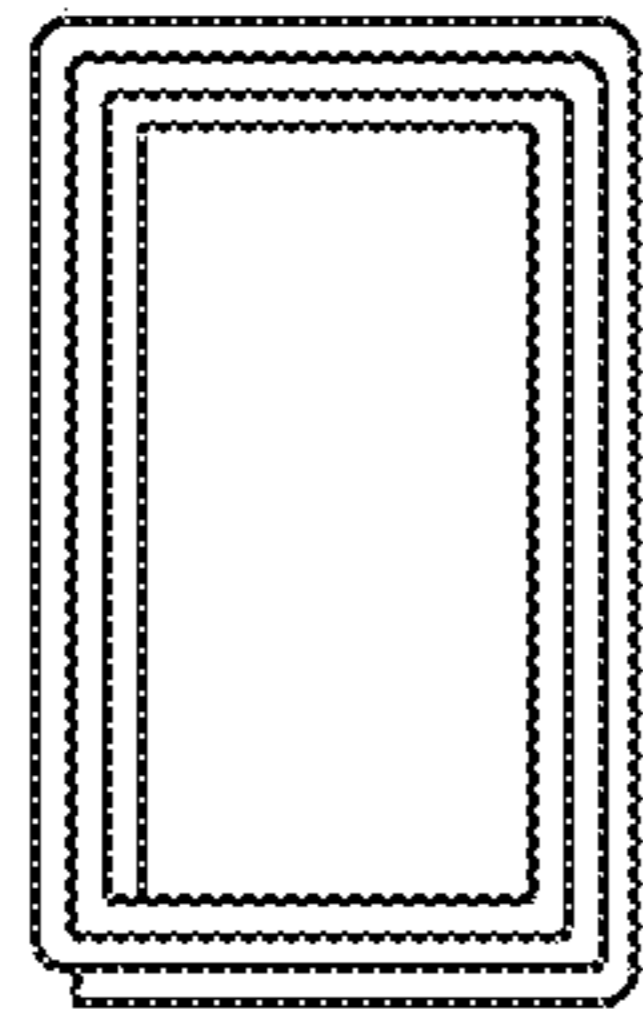
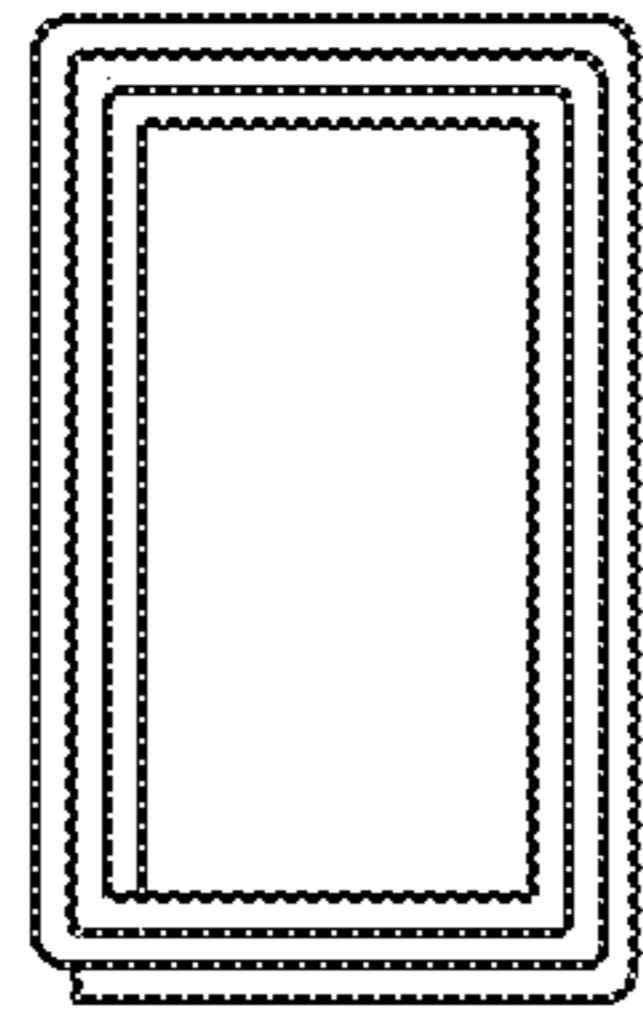
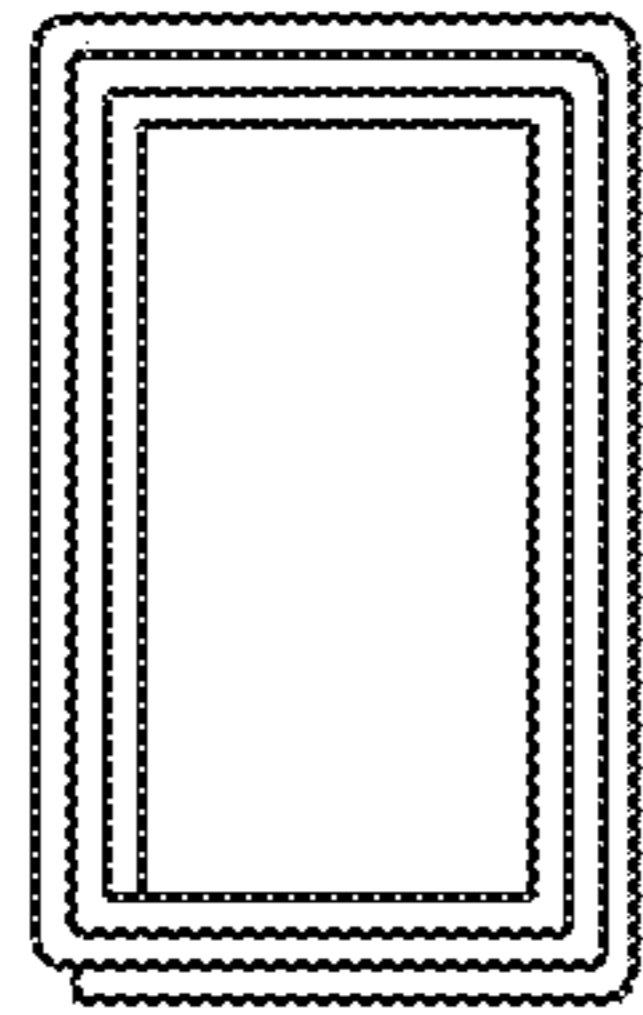


FIG. 20

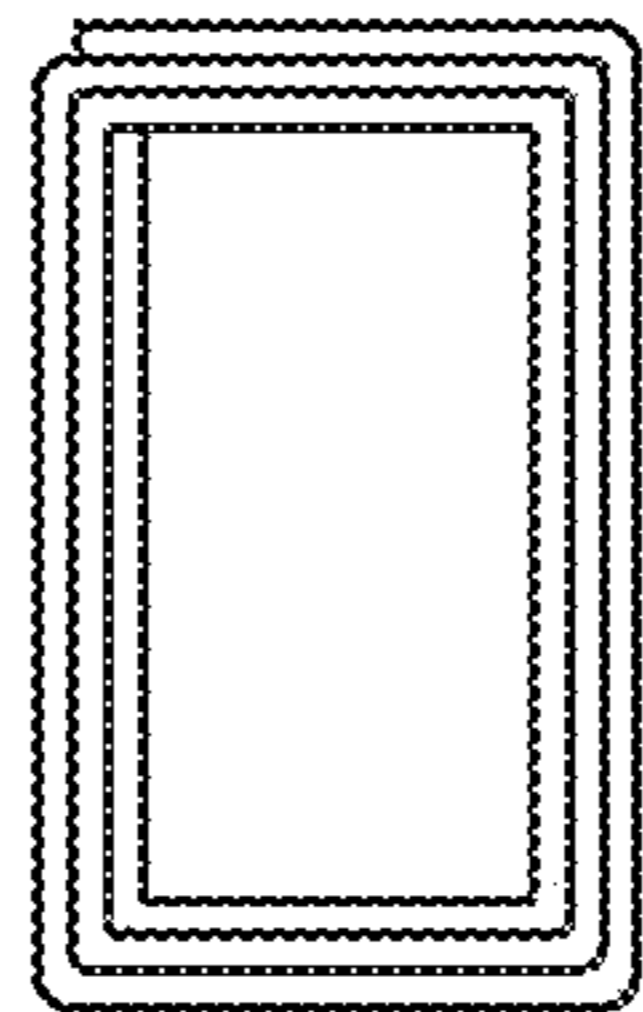
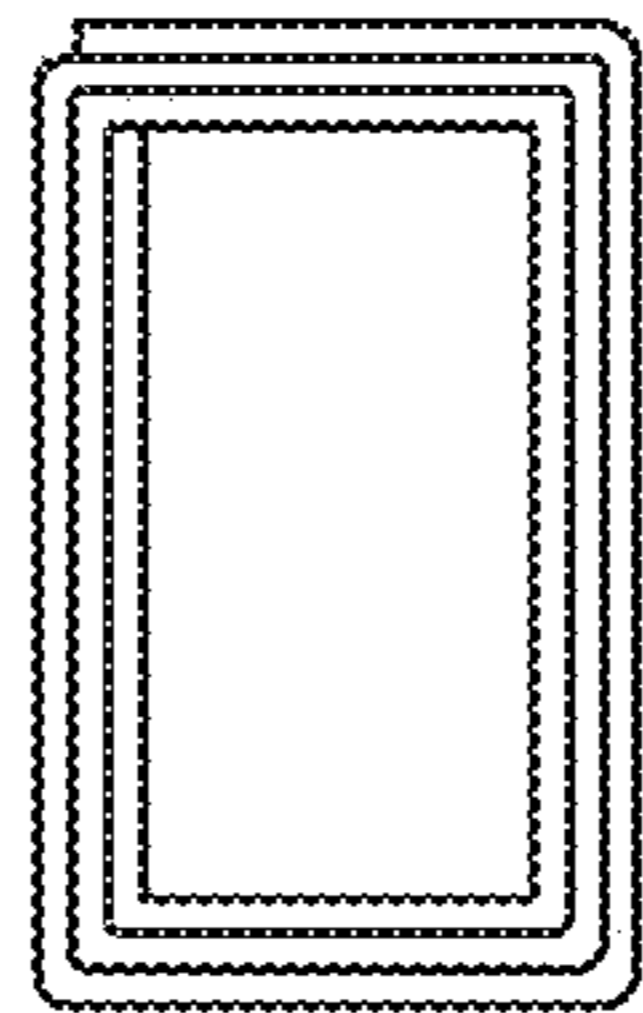
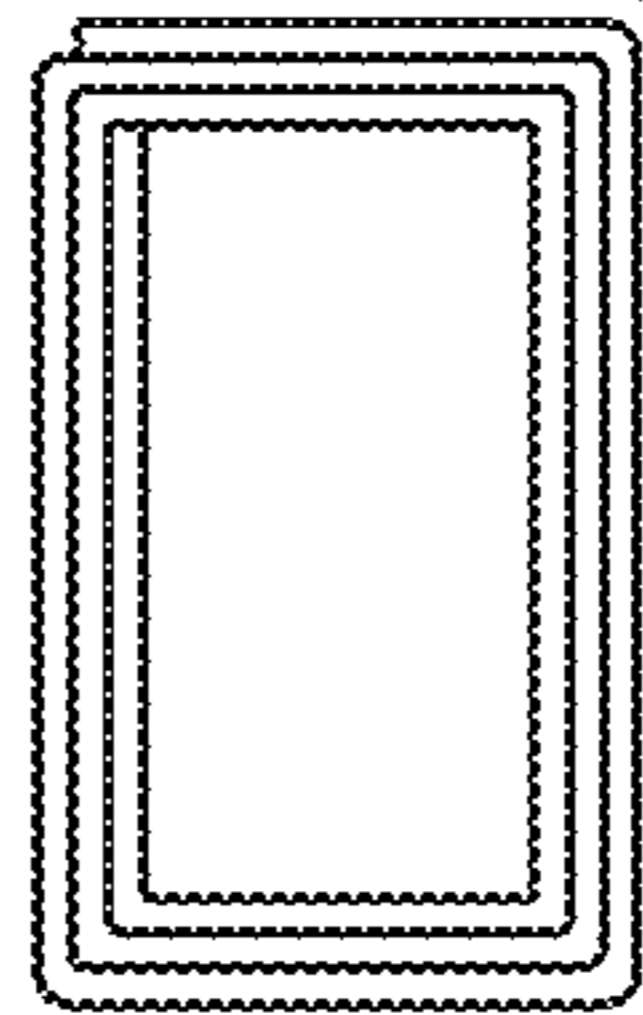


FIG. 21

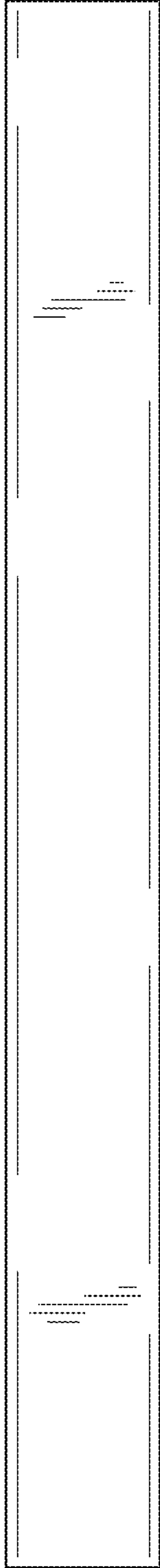


FIG. 22

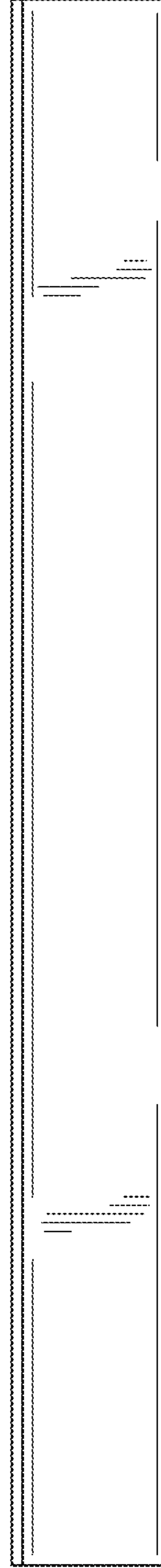


FIG. 23

FIG. 24

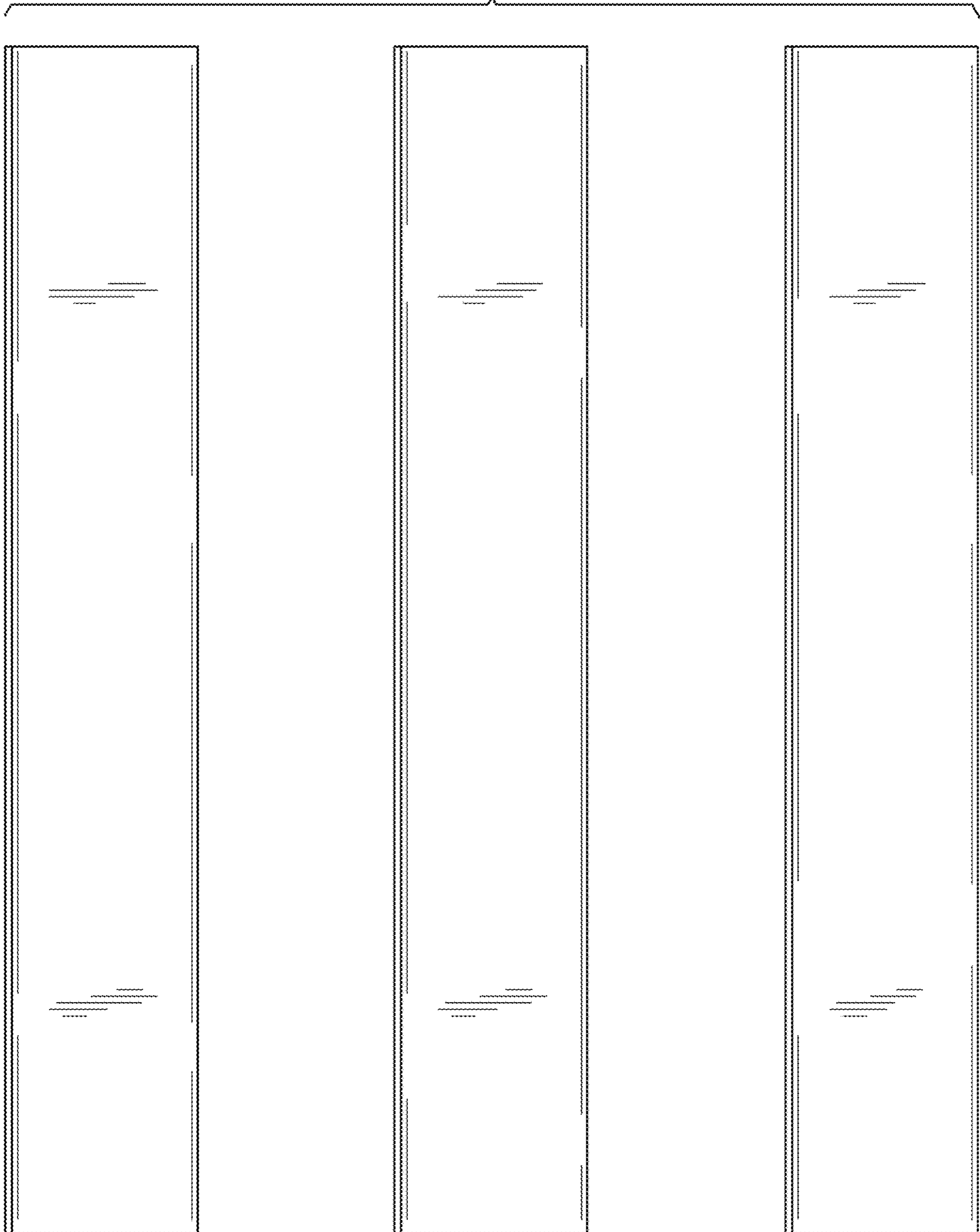
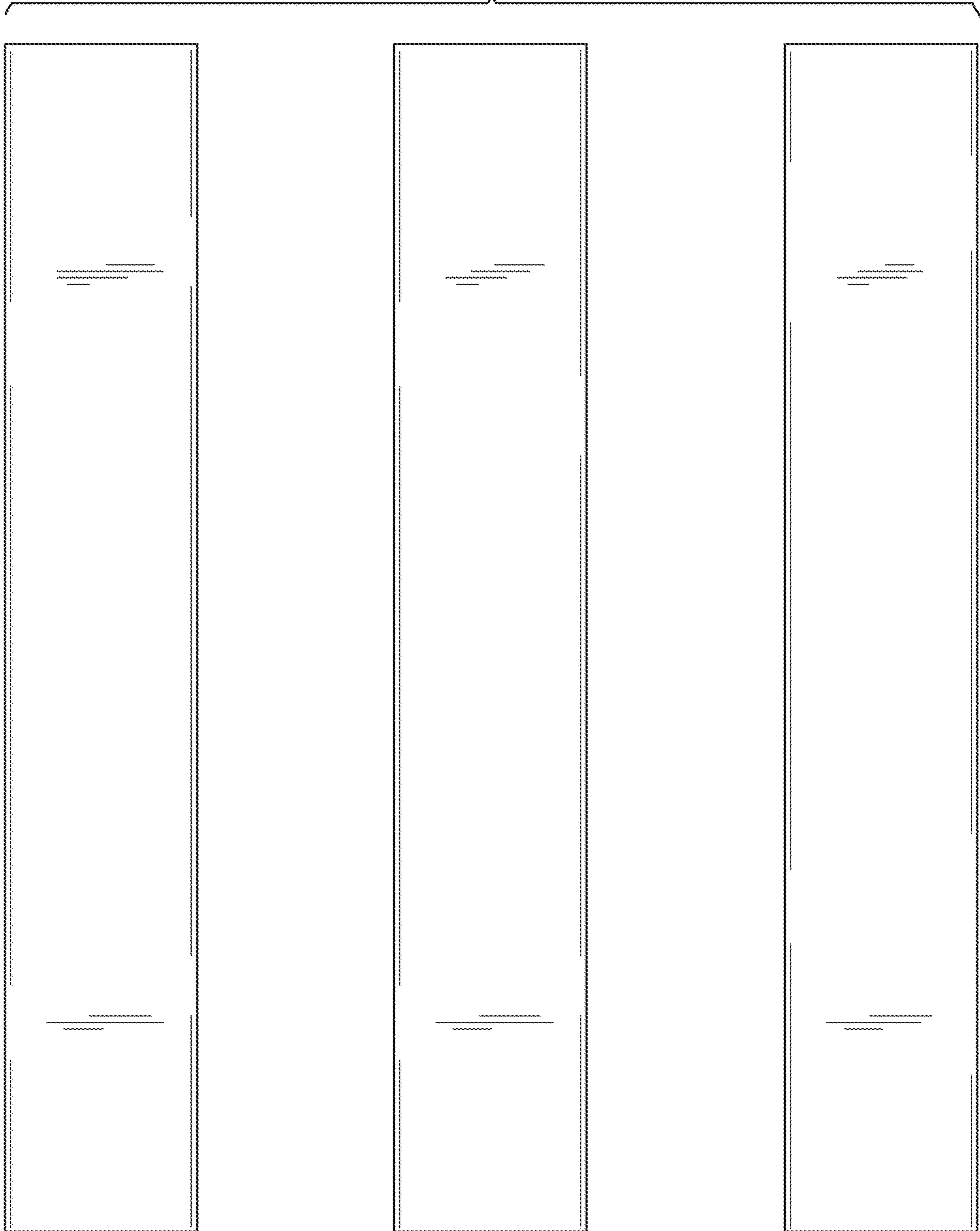


FIG. 25



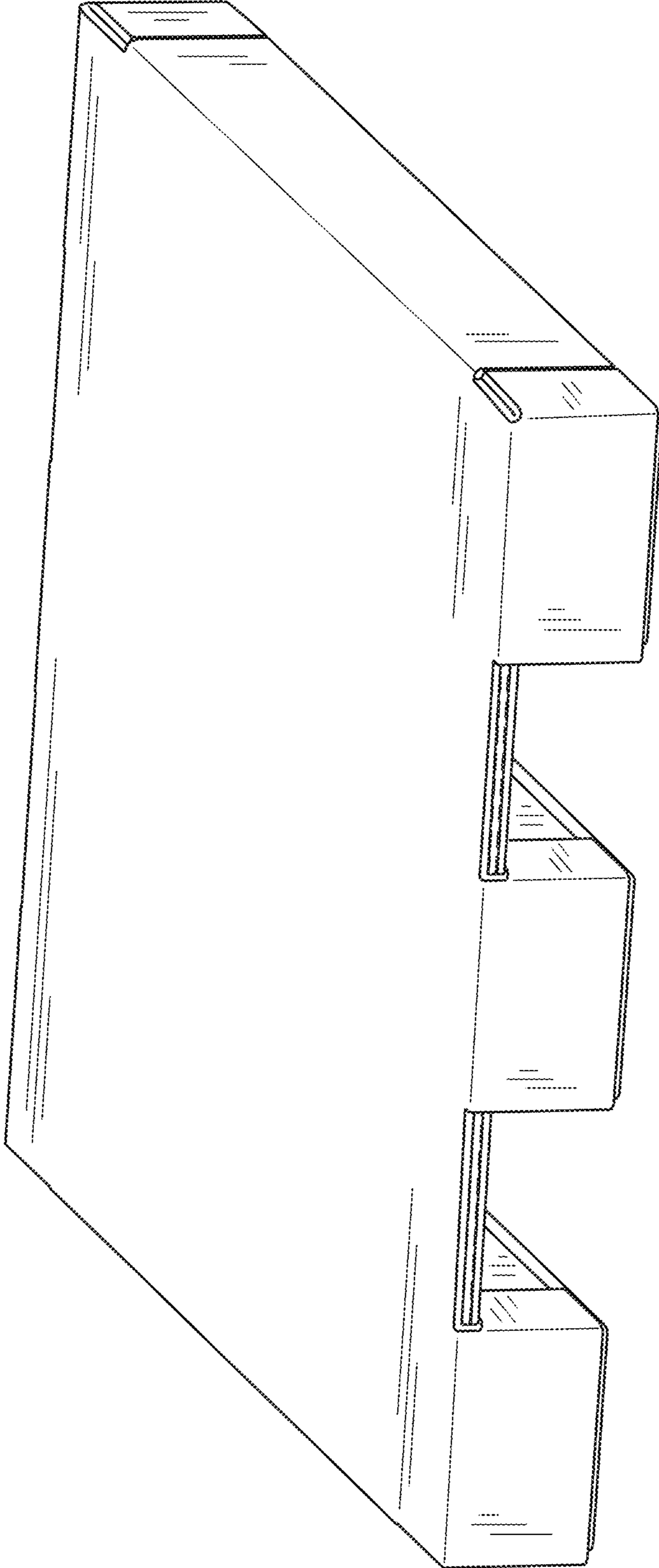


FIG. 26

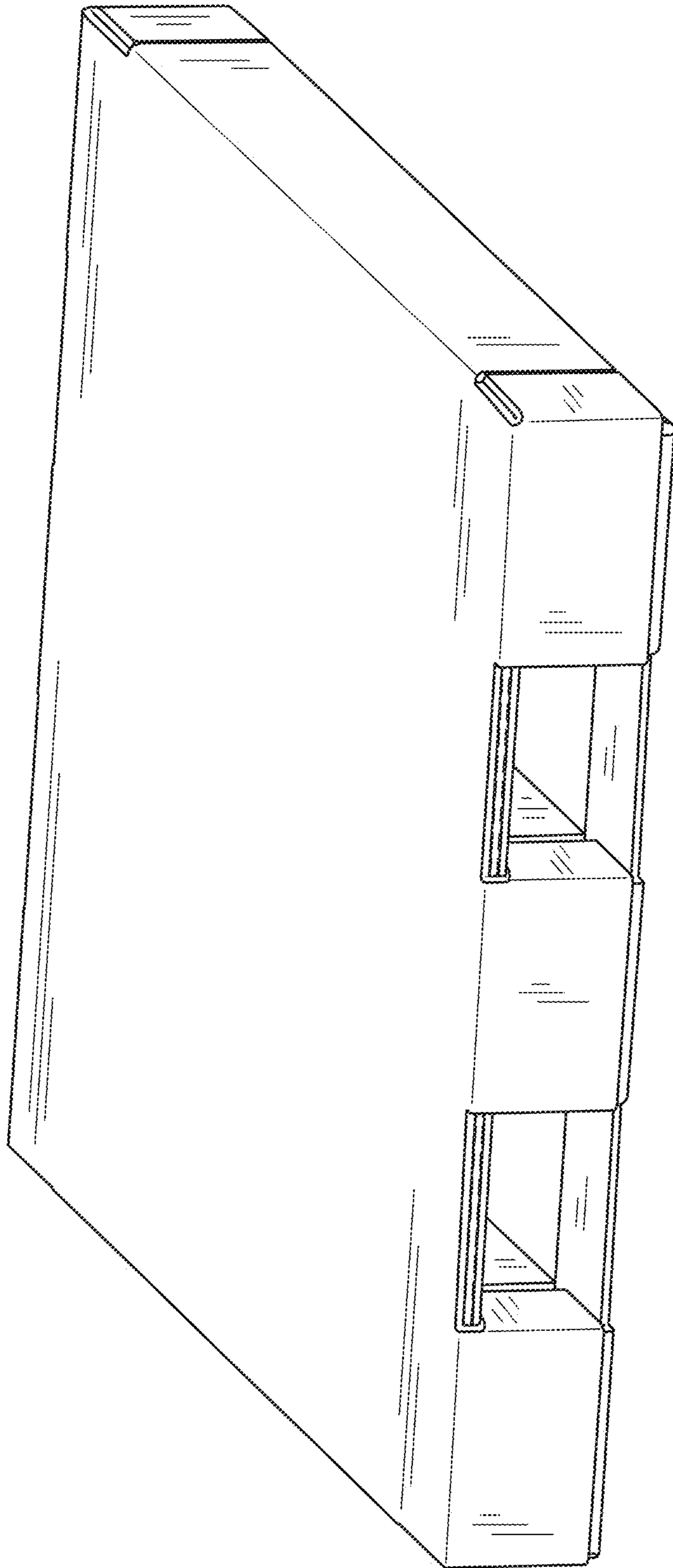


FIG. 27