



US00D909004S

(12) **United States Design Patent**
Brendel

(10) **Patent No.:** **US D909,004 S**

(45) **Date of Patent:** **** Jan. 26, 2021**

(54) **REMOTE CONTROL DEVICE**

(71) Applicant: **BRENDEL HOLDING GmbH & Co., KG**, Crailsheim (DE)

(72) Inventor: **Wolfgang Brendel**, Crailsheim (DE)

(73) Assignee: **BRENDEL HOLDING GmbH & Co. KG**, Crailsheim (DE)

(**) Term: **15 Years**

(21) Appl. No.: **29/685,826**

(22) Filed: **Mar. 31, 2019**

(51) **LOC (13) Cl.** **12-05**

(52) **U.S. Cl.**
USPC **D34/35; D13/168; D15/28; D21/333; D21/566**

(58) **Field of Classification Search**
USPC D21/333, 414, 430, 447, 561, 566, 582, D21/599; D12/16.1, 345; D14/218, 401,
(Continued)

(56) **References Cited**

U.S. PATENT DOCUMENTS

D209,151 S * 11/1967 Jones D21/561
D368,073 S * 3/1996 Zulian D13/168
(Continued)

FOREIGN PATENT DOCUMENTS

CN 305391829 * 10/2019
CN 305765361 * 5/2020
(Continued)

OTHER PUBLICATIONS

Modern crane remote controls need to be future-proof, exible and safe, by Euan Youdale, posted Apr. 19, 2011 [Online], [Site visited May 13, 2020] Available From Internet, URL:<<https://www.khl.com/features/modern-crane-remote-controls-need-to-be-future-proof-flexible-and-safe-/63297.article>> (Year: 2011).*

(Continued)

Primary Examiner — Sandra Snapp

Assistant Examiner — Donald B Rose, Jr.

(74) *Attorney, Agent, or Firm* — Westerman, Hattori, Daniels & Adrian, LLP

(57) **CLAIM**

The ornamental design for a remote control device, as shown and described.

DESCRIPTION

FIG. 1 is a front view of a remote control device according to a first embodiment.

FIG. 2 is a back view of the remote control device shown in FIG. 1.

FIG. 3 is a top view of the remote control device shown in FIG. 1.

FIG. 4 is a bottom view of the remote control device shown in FIG. 1.

FIG. 5 is a left side view of the remote control device shown in FIG. 1.

FIG. 6 is a right side view of the remote control device shown in FIG. 1.

FIG. 7 is a front view of a remote control device according to a second embodiment.

FIG. 8 is a back view of the remote control device shown in FIG. 7.

FIG. 9 is a top view of the remote control device shown in FIG. 7.

FIG. 10 is a bottom view of the remote control device shown in FIG. 7.

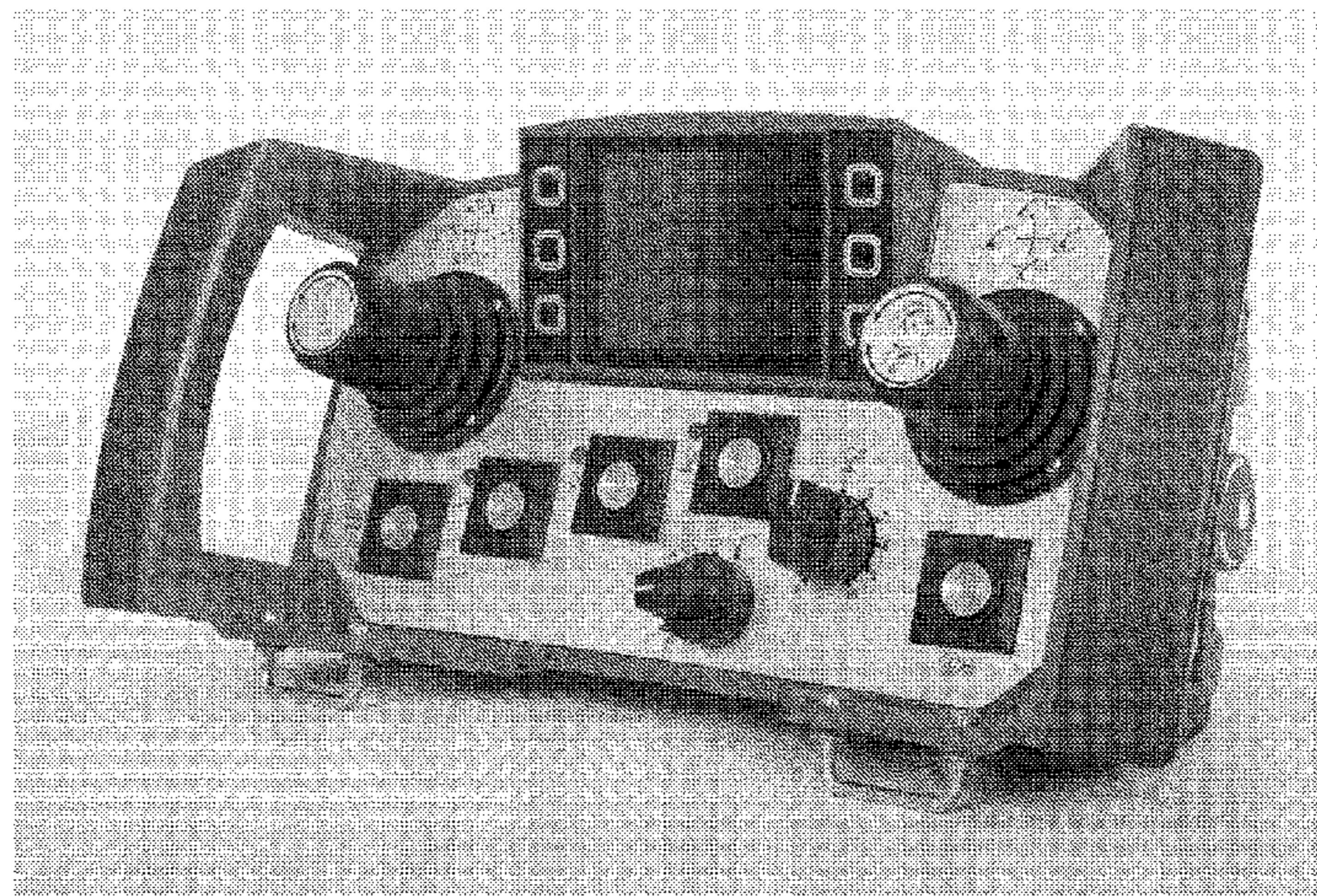
FIG. 11 is a left side view of the remote control device shown in FIG. 7.

FIG. 12 is a right side view of the remote control device shown in FIG. 7; and,

FIG. 13 is a front perspective side view of the remote control device shown in FIG. 7.

The broken lines illustrate portions of the remote control device that form no part of the claimed design.

1 Claim, 13 Drawing Sheets



(58) **Field of Classification Search**

USPC D14/414; D13/164, 168; D34/35;
 D15/18, 28; 340/12.5; 248/118
 CPC G06F 3/0346; G06F 3/014; G06F 3/033;
 G06F 3/017; G06F 3/0362; G06F 3/0338;
 G06F 3/023; G06F 3/0488; G06F 3/01;
 G06F 3/039; G05D 1/0011; G05D
 1/0038; G05D 1/0016; B64C 39/024;
 B60K 37/06; H04L 67/125

See application file for complete search history.

(56) **References Cited**

U.S. PATENT DOCUMENTS

D423,595 S * 4/2000 Goto D14/401
 D427,600 S * 7/2000 Probstel D14/414
 D509,266 S * 9/2005 Gollhofer D21/566
 D557,218 S * 12/2007 Ewringmann D13/164
 D592,126 S * 5/2009 da Silveira D12/345
 D672,397 S * 12/2012 Wai D14/401
 D737,539 S * 8/2015 Zeppetbauer D34/35
 D742,936 S * 11/2015 Ewringmann D15/28
 D762,179 S * 7/2016 Wong D13/168
 D777,623 S * 1/2017 Anderton D12/174
 D789,425 S * 6/2017 Smith D15/21
 D834,655 S * 11/2018 Oberndorfer D21/566

D861,767 S * 10/2019 Morishita D16/237
 D861,768 S * 10/2019 Morishita D16/237
 10,452,064 B1 * 10/2019 Ray B64C 39/024
 D868,708 S * 12/2019 Goos D13/168
 D868,709 S * 12/2019 Goos D13/168
 D868,710 S * 12/2019 Goos D13/168
 2014/0353438 A1 * 12/2014 Kerdreux B60K 37/06
 248/118
 2016/0313732 A1 * 10/2016 Seydoux G06T 19/006
 2017/0210603 A1 * 7/2017 Maffeis B66C 13/44
 2019/0262992 A1 * 8/2019 Kim B25J 9/1689

FOREIGN PATENT DOCUMENTS

KR 300858226.0000 * 6/2016
 WO 2019/057759 * 3/2019

OTHER PUBLICATIONS

A roundup of the latest remote controls for cranes, by Euan Youdale, posted Aug. 10, 2010 [Online], [Site visited May 13, 2020] Available From Internet<<https://www.khl.com/features/a-roundup-of-the-latest-remote-controls-for-cranes-/57593.article>> (Year: 2010).*
 REM Genesis, First Available Date Jan. 19, 2020 [Online], [Site visited May 13, 2020] Available From Internet, URL:<<https://monocrane.co.nz/rem-genesis/>> (Year: 2020).*

* cited by examiner

FIG. 1

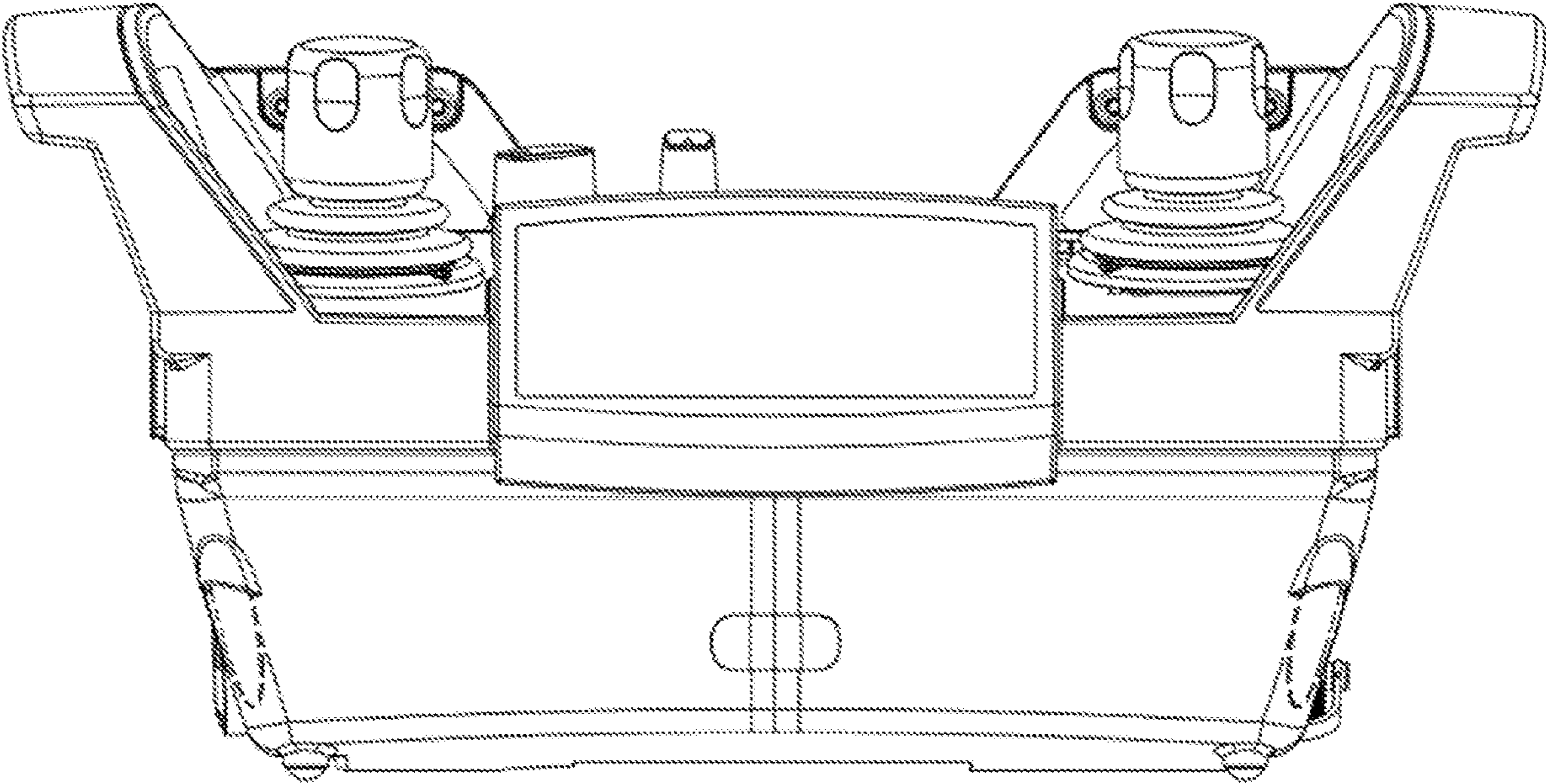


FIG. 2

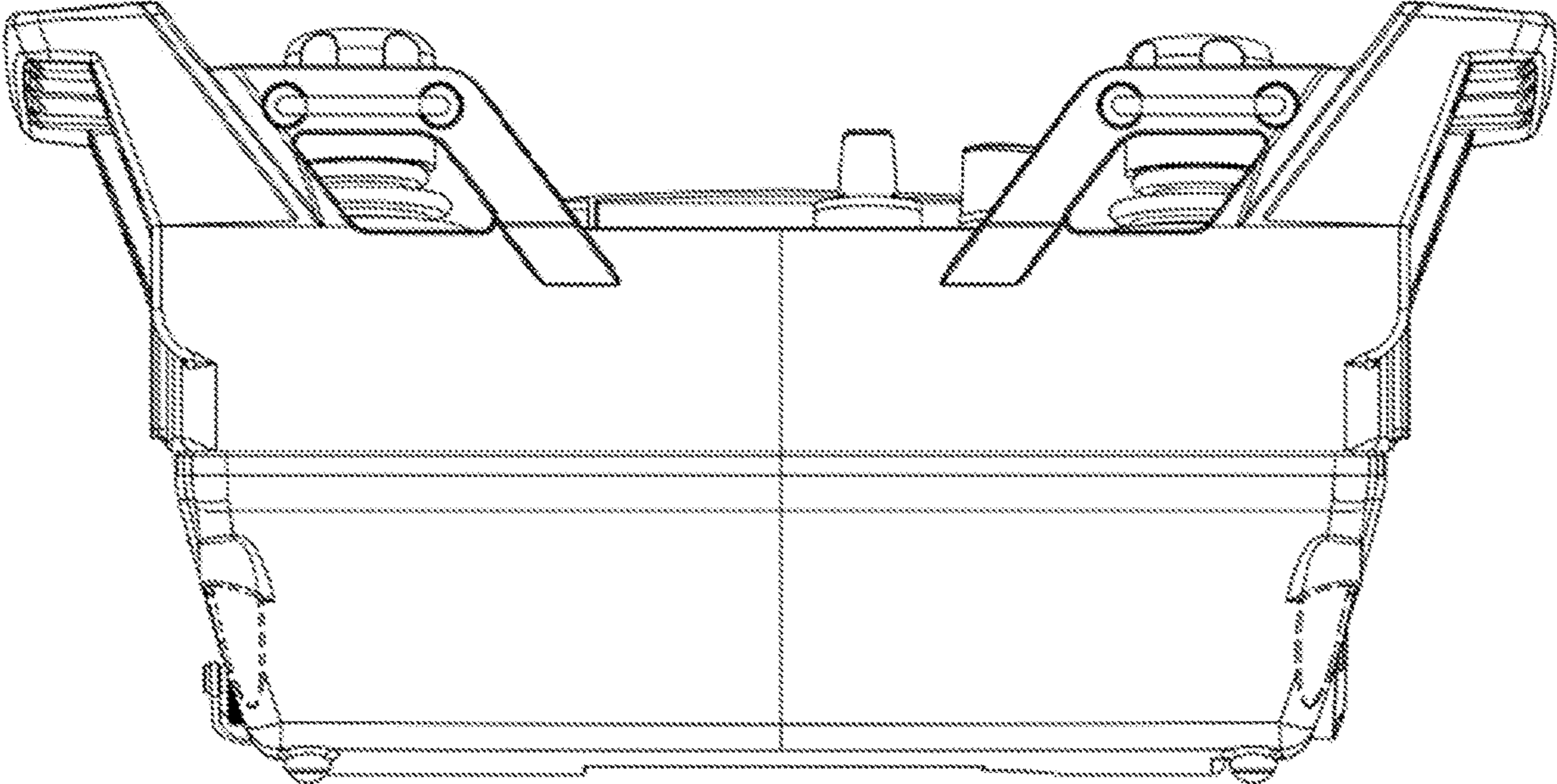


FIG. 3

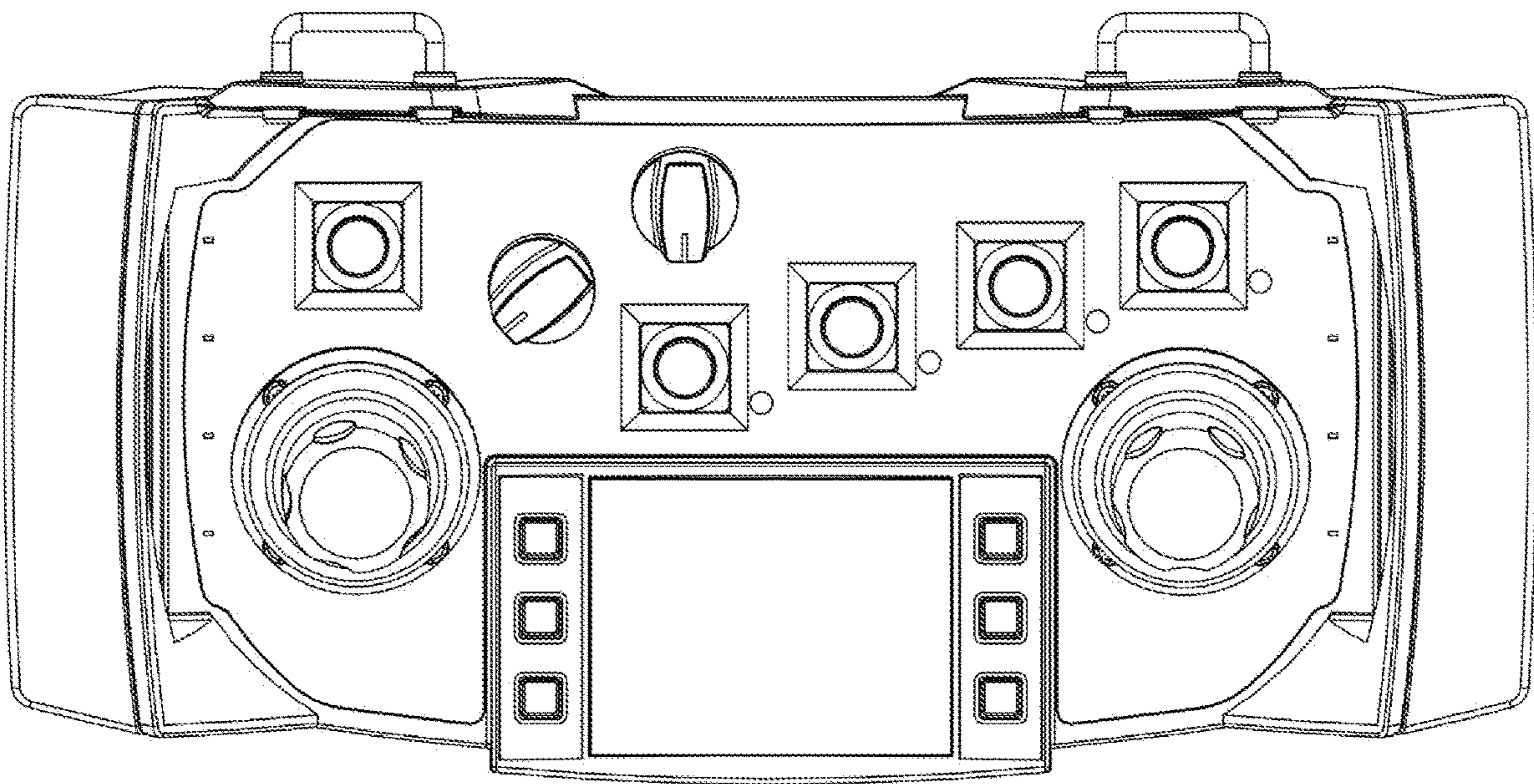


FIG. 4

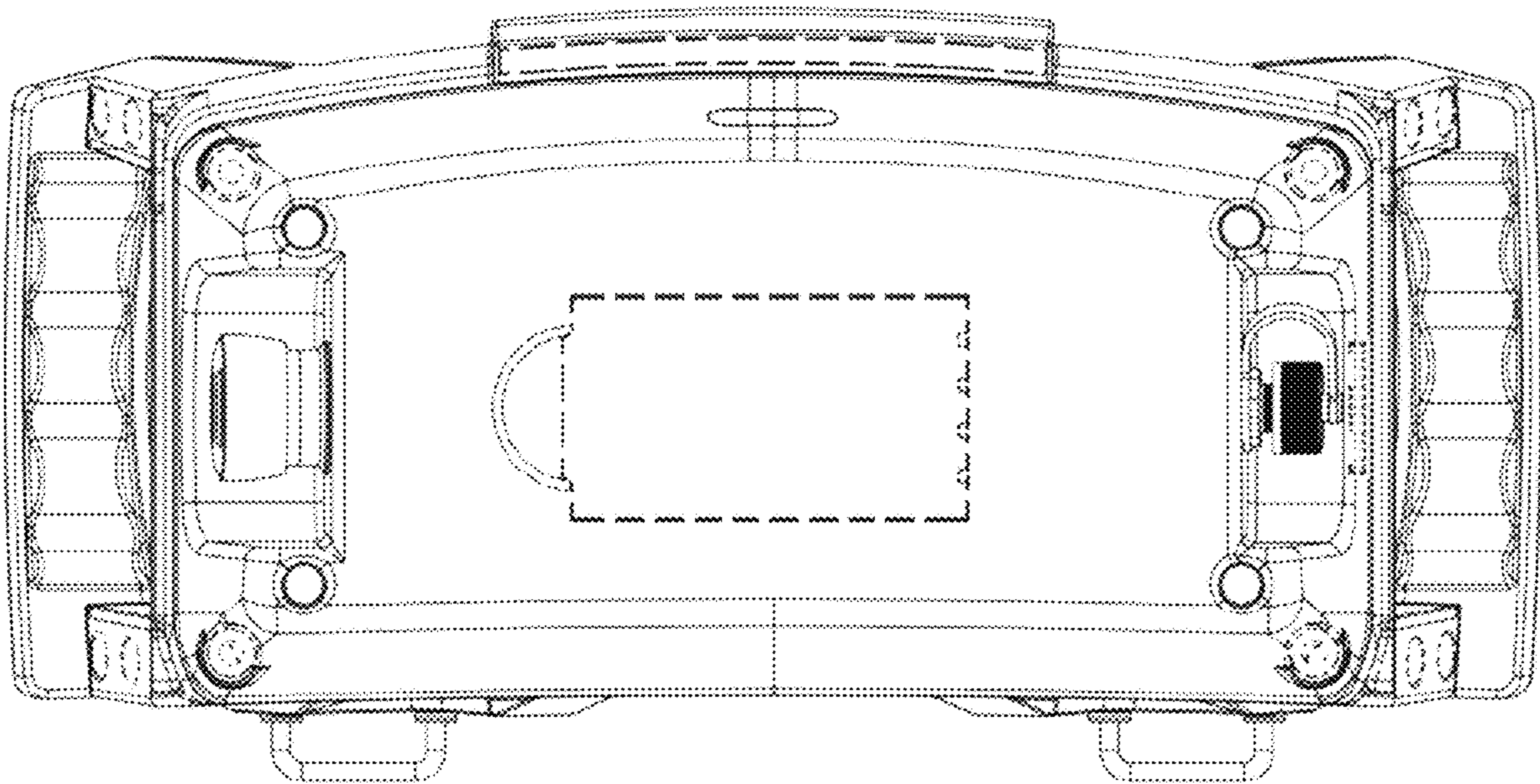


FIG. 5

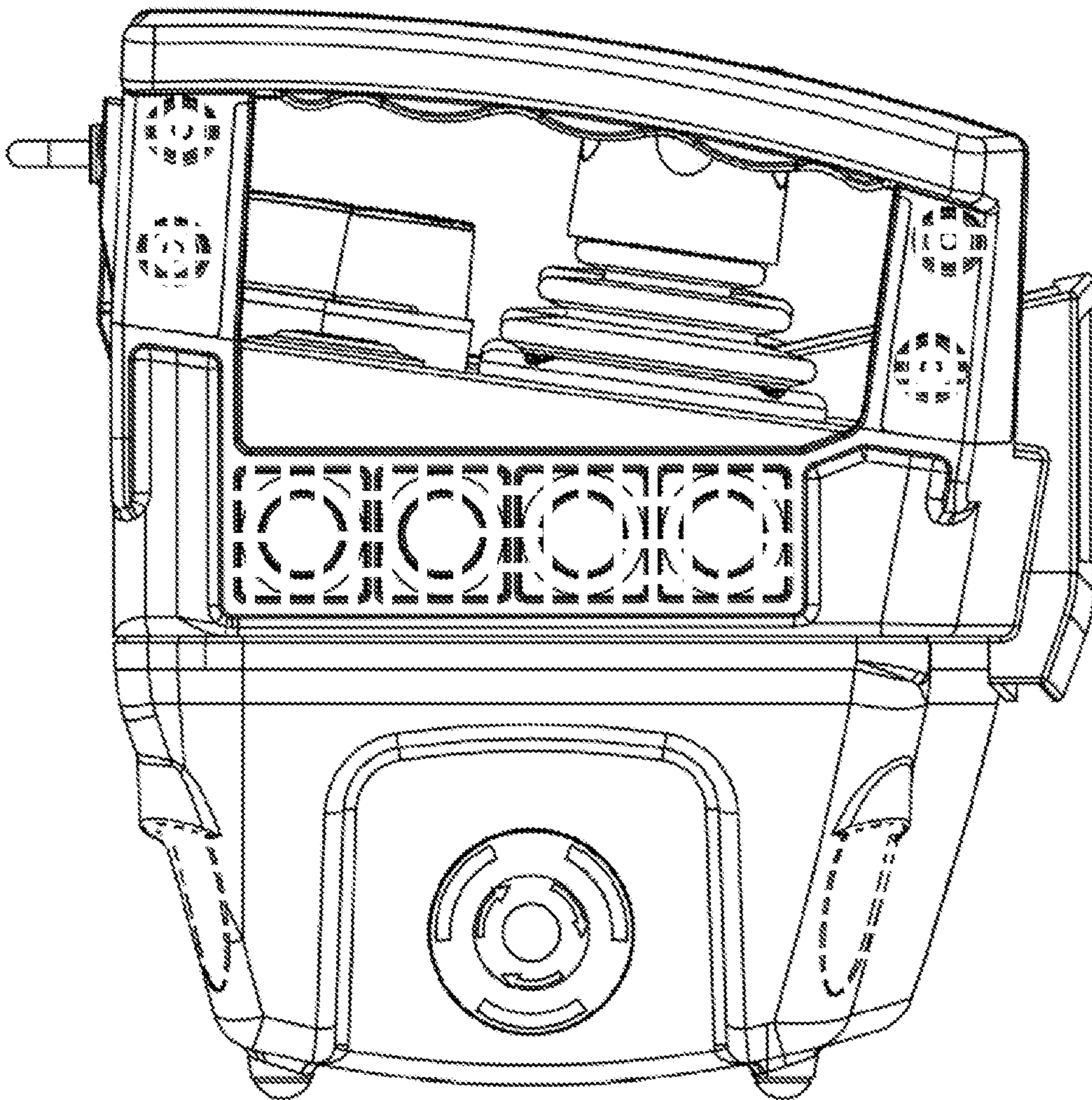


FIG. 6

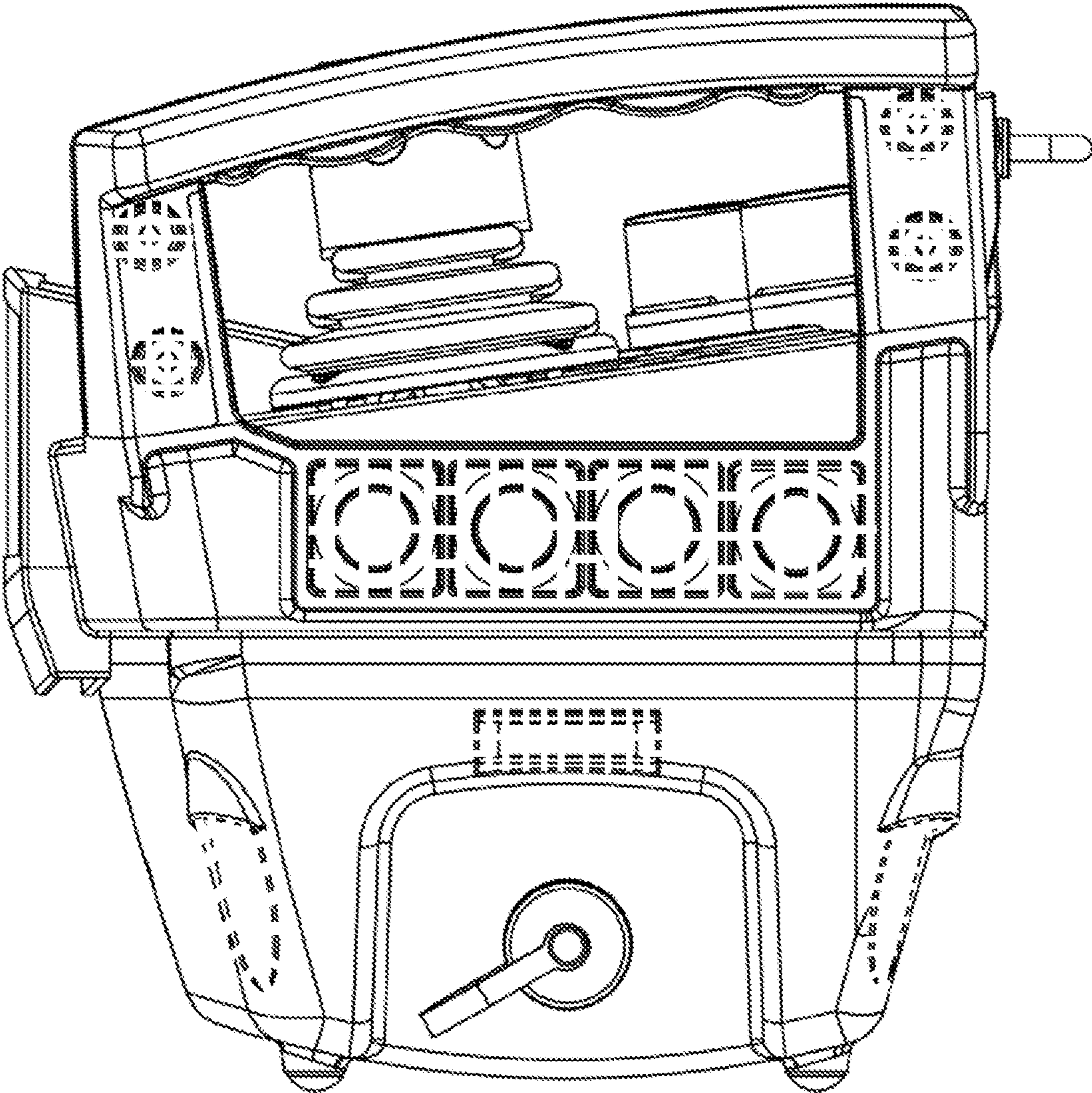


FIG. 7

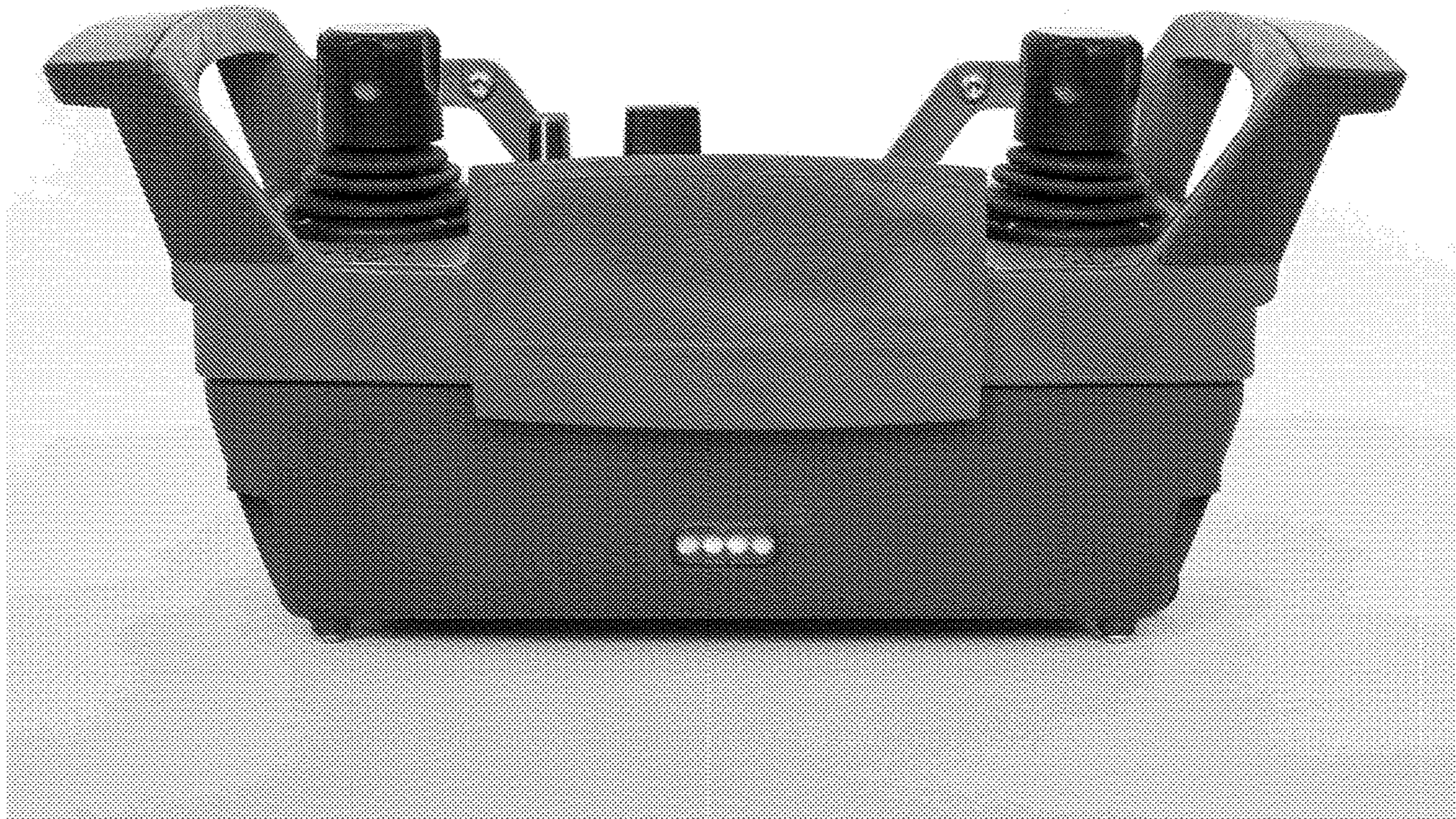


FIG. 8

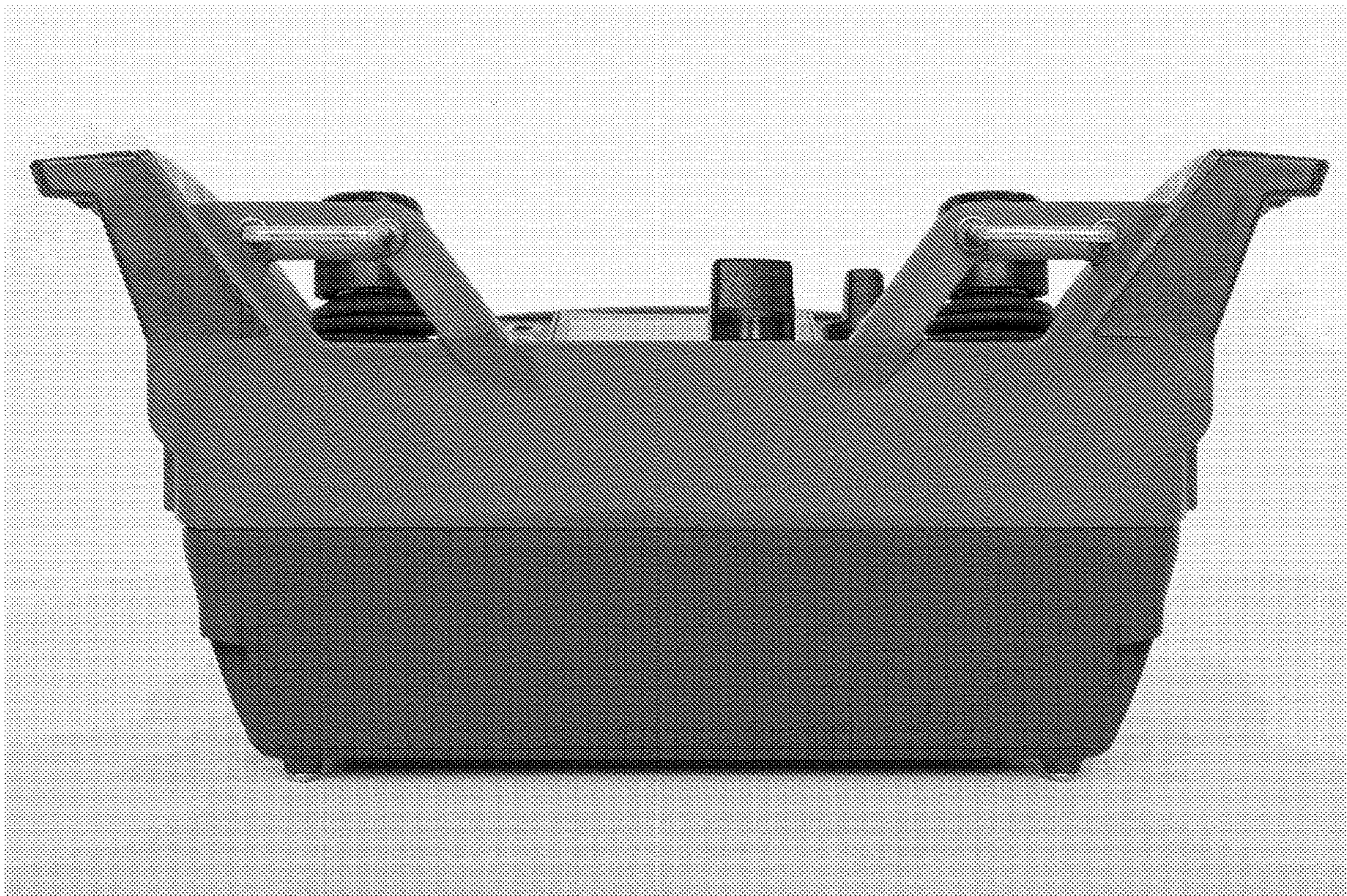


FIG. 9

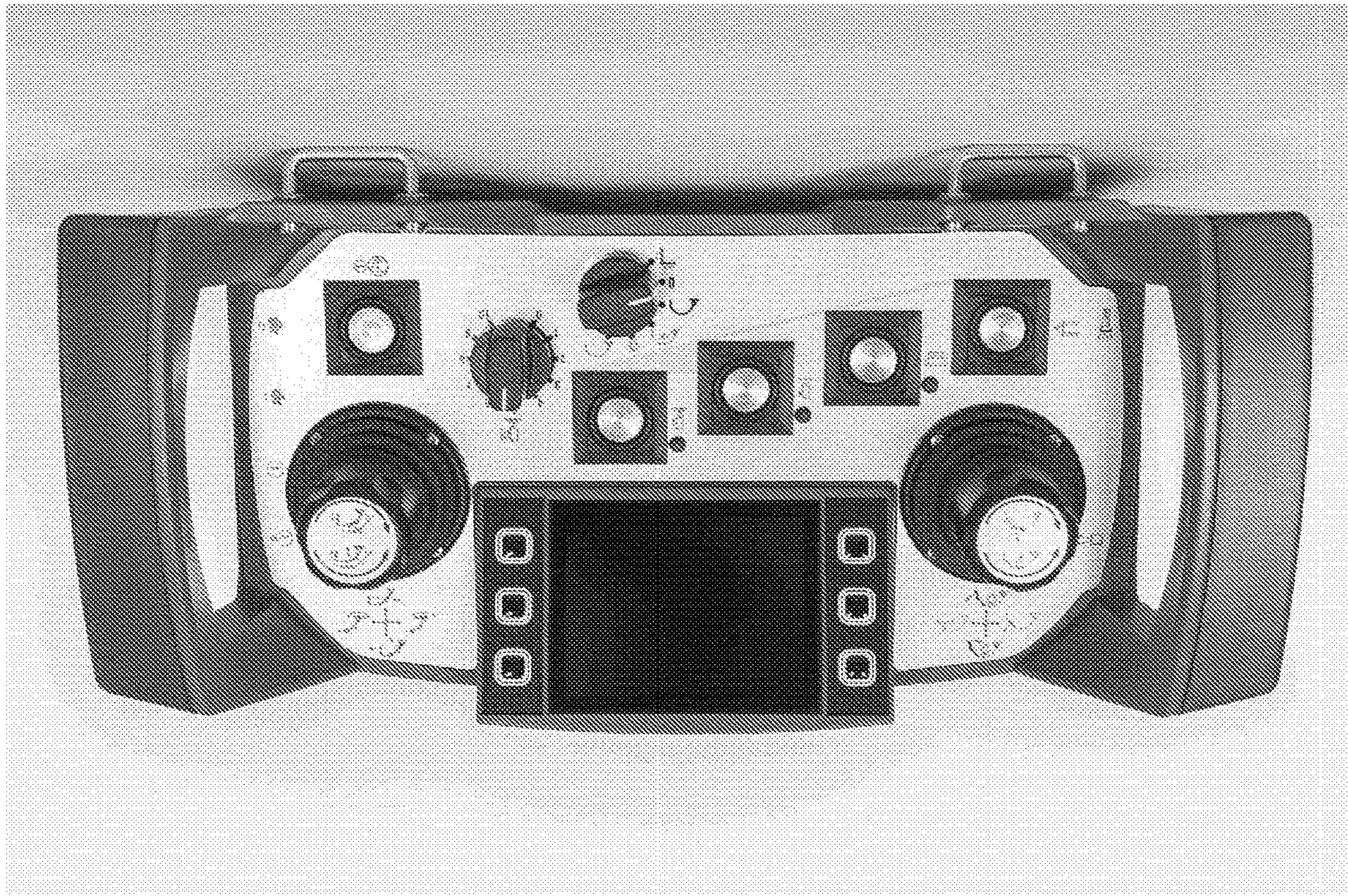


FIG. 10

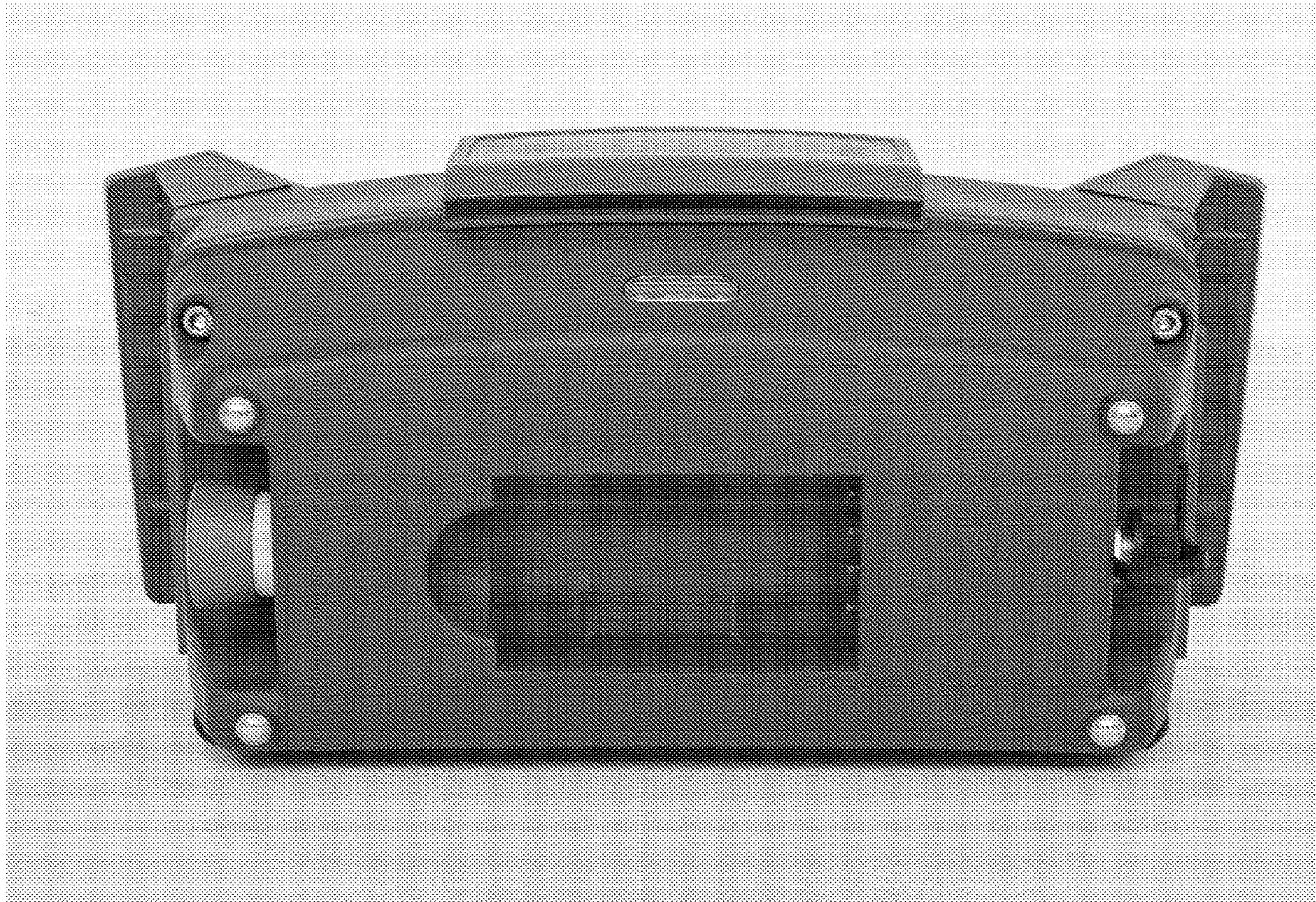


FIG. 11



FIG. 12

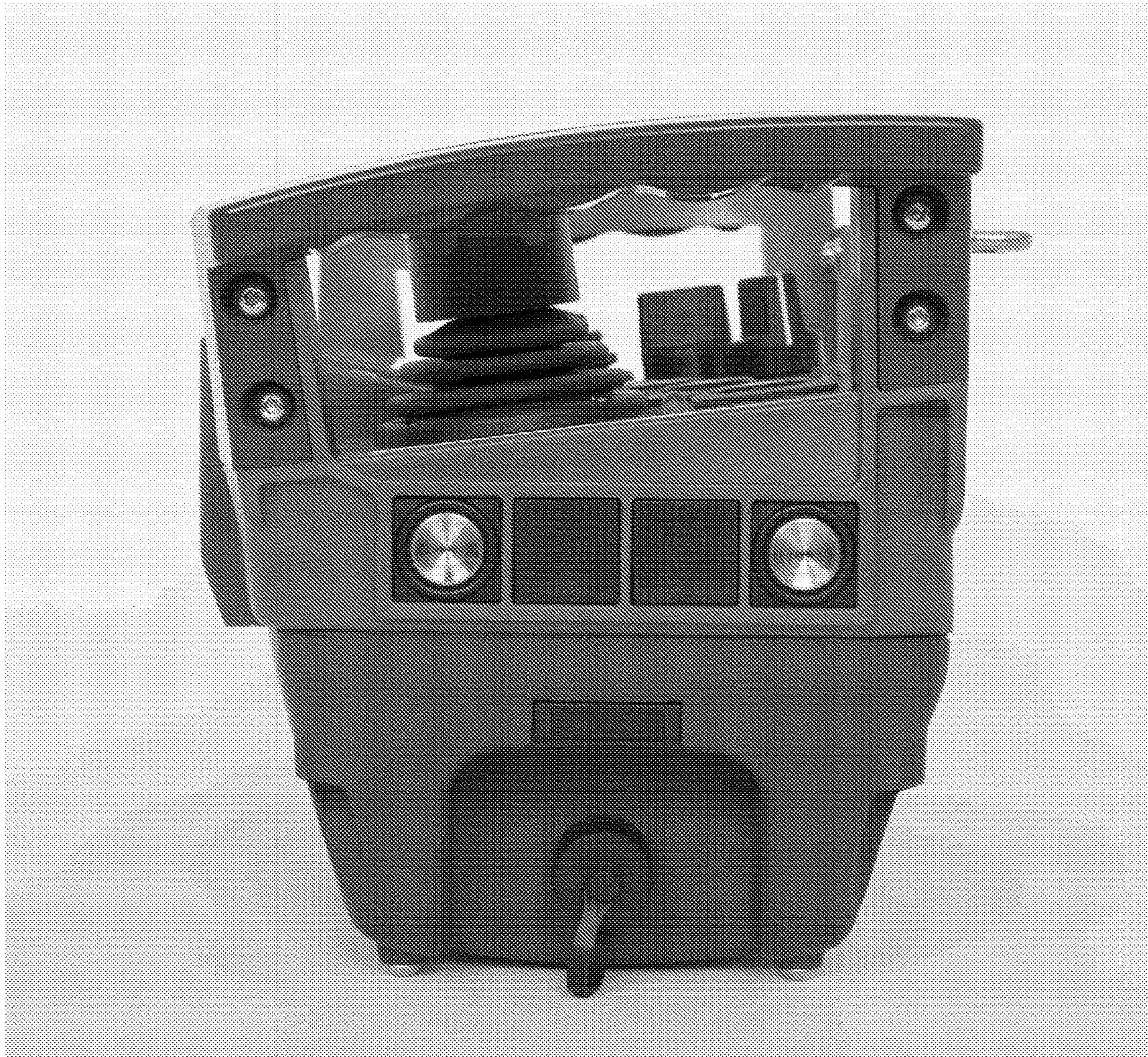


FIG. 13

