



US00D909002S

(12) **United States Design Patent**
Chang

(10) **Patent No.:** **US D909,002 S**

(45) **Date of Patent:** **** Jan. 26, 2021**

(54) **WASTEBASKET**

(71) Applicant: **Kwang Ok Chang**, Seoul (KR)

(72) Inventor: **Kwang Ok Chang**, Seoul (KR)

(**) Term: **15 Years**

(21) Appl. No.: **29/666,425**

(22) Filed: **Oct. 12, 2018**

(30) **Foreign Application Priority Data**

Apr. 13, 2018 (KR) 30-2018-0017448

(51) **LOC (13) Cl.** **09-09**

(52) **U.S. Cl.**
USPC **D34/9**

(58) **Field of Classification Search**
USPC D34/1, 5, 6, 7, 8, 9, 10, 11; 220/495.06,
220/495.07, 495.08, 908.1, 908
CPC B65F 1/163; B65F 1/02; B62B 5/0433
See application file for complete search history.

(56) **References Cited**

U.S. PATENT DOCUMENTS

D631,221 S * 1/2011 Yang D34/9
D773,769 S * 12/2016 Chen D34/9

D804,133 S * 11/2017 Yang D34/9
D841,275 S * 2/2019 Chen D34/9
D845,576 S * 4/2019 Lu D34/9
10,279,996 B2 * 5/2019 Yang B65F 1/1623
D853,067 S * 7/2019 Chen D34/9
D861,277 S * 9/2019 Chen D34/9

* cited by examiner

Primary Examiner — Gino Colan
(74) *Attorney, Agent, or Firm* — Cantor Colburn LLP

(57) **CLAIM**

The ornamental design for a wastebasket, as shown and described.

DESCRIPTION

FIG. 1 is a perspective view of a wastebasket showing my new design;
FIG. 2 is a front elevational view thereof;
FIG. 3 is a rear elevational view thereof;
FIG. 4 is a left side elevational view thereof;
FIG. 5 is a right side elevational view thereof;
FIG. 6 is a top plan view thereof;
FIG. 7 is a bottom plan view thereof; and,
FIG. 8 is a perspective view showing a further embodiment thereof.

The broken lines in the drawing views are included for the purpose of illustrating the unclaimed portions of the wastebasket and form no part of the claimed design.

1 Claim, 7 Drawing Sheets

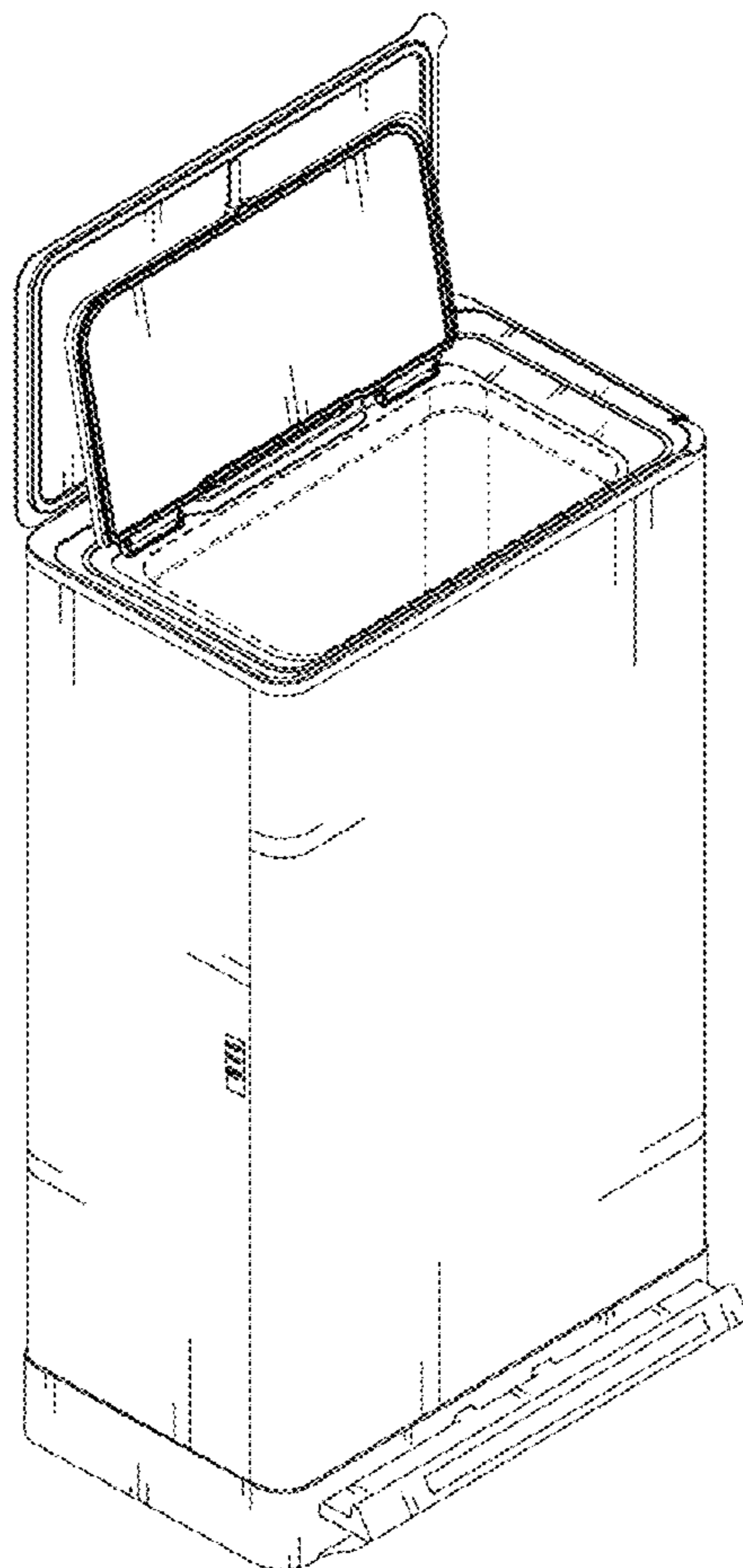


FIG. 1

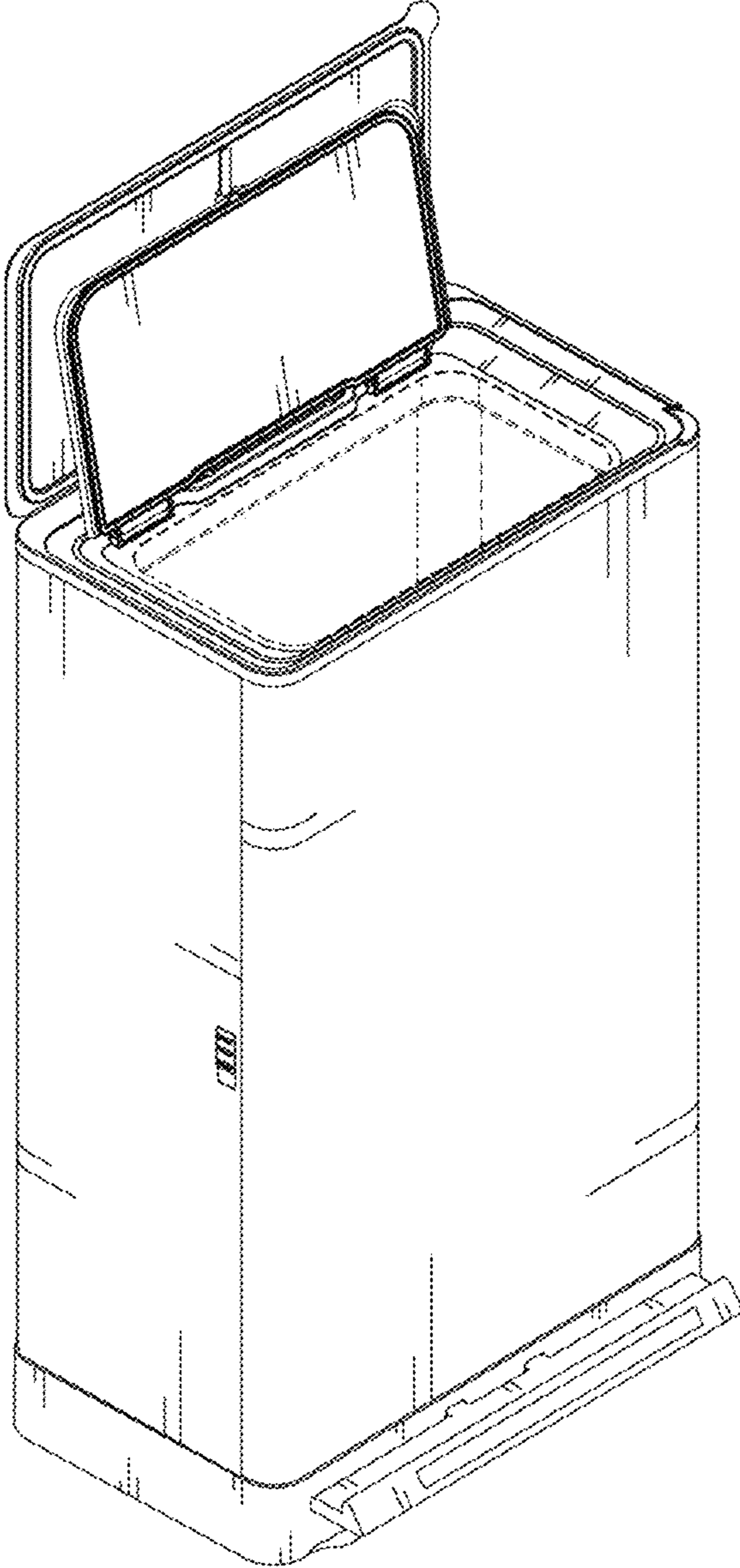


FIG. 2

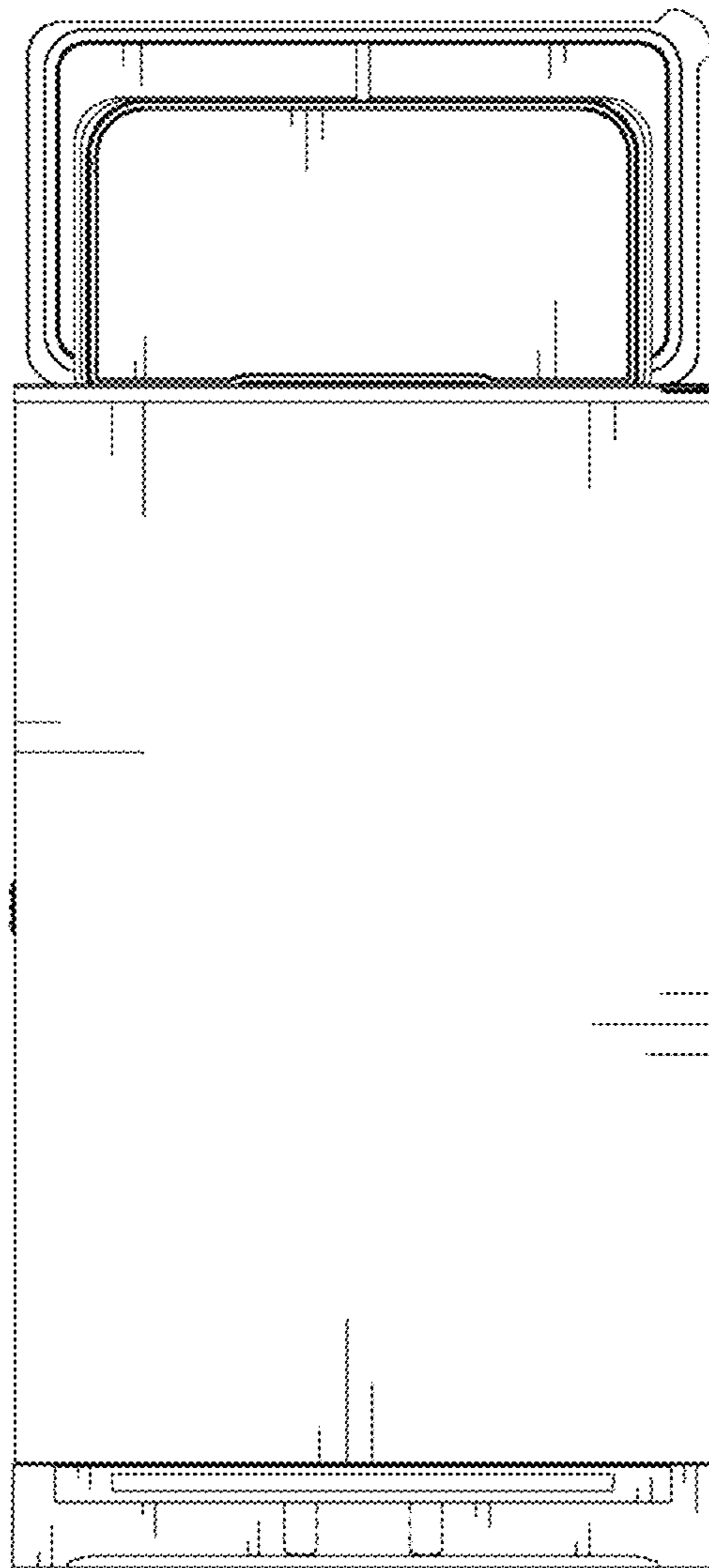


FIG. 3

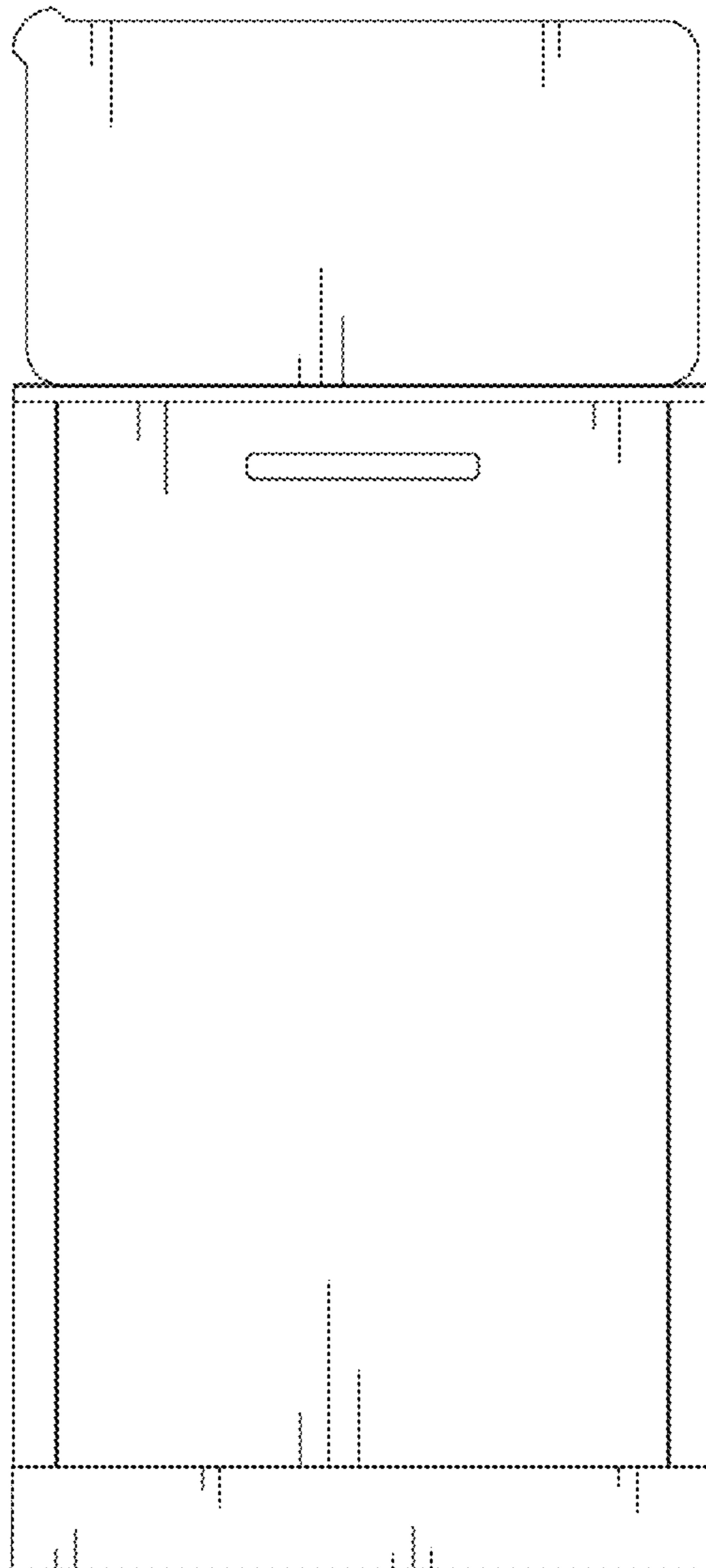


FIG. 4

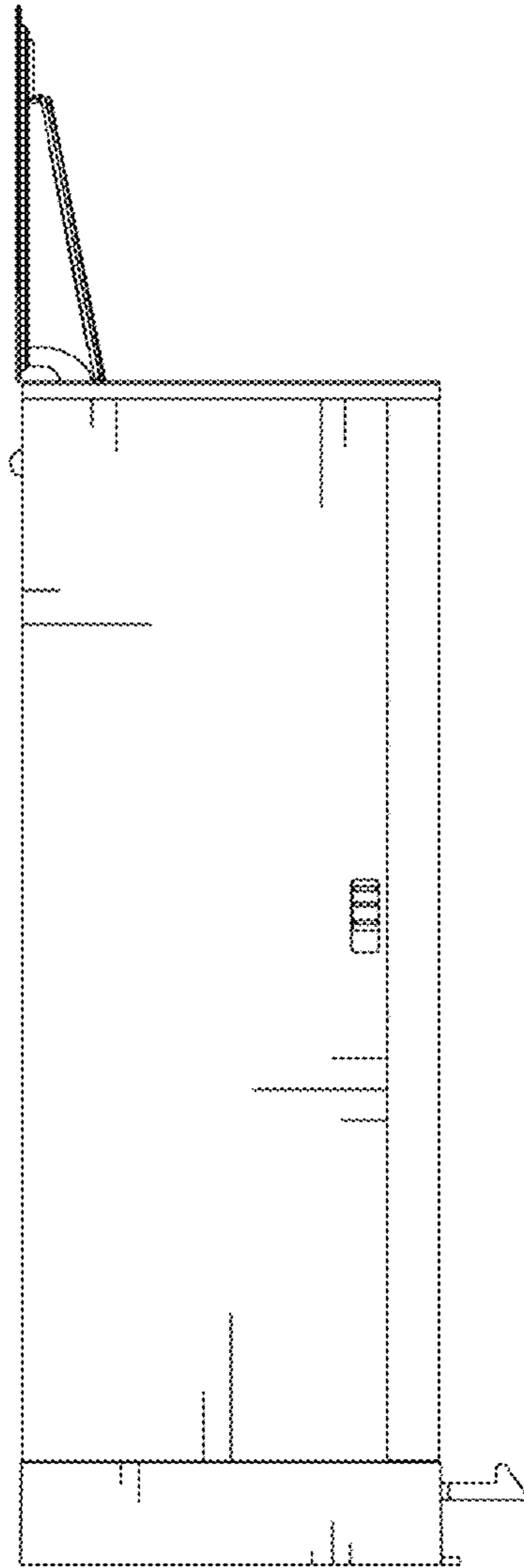


FIG. 5

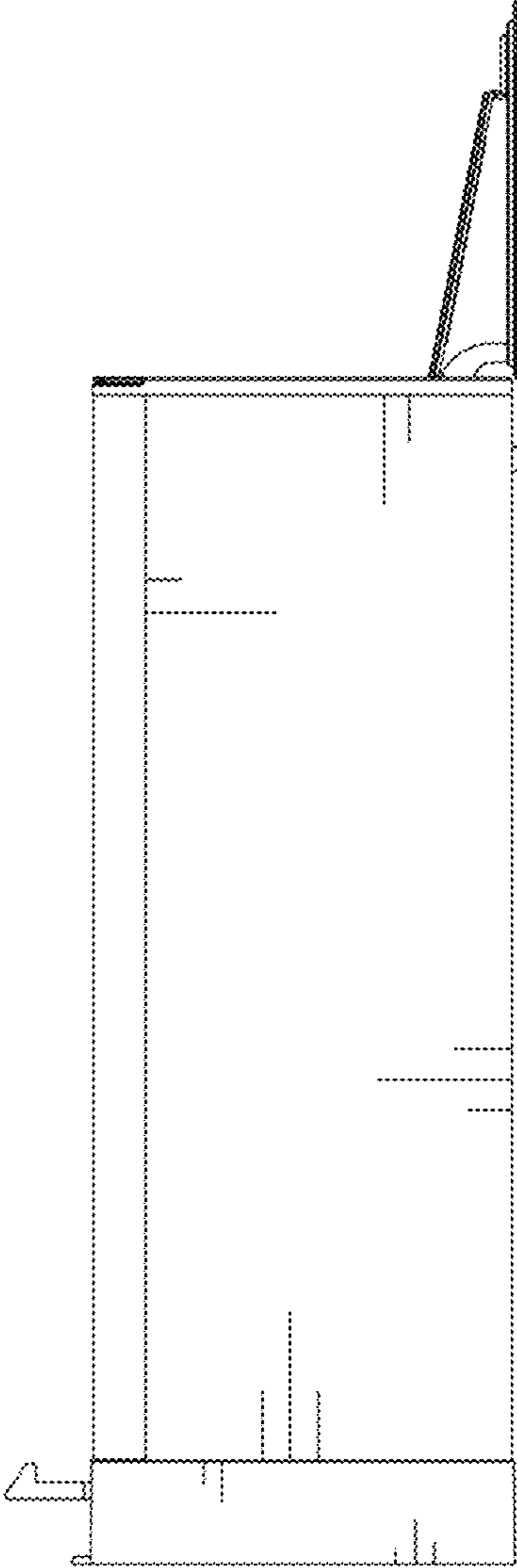


FIG. 6

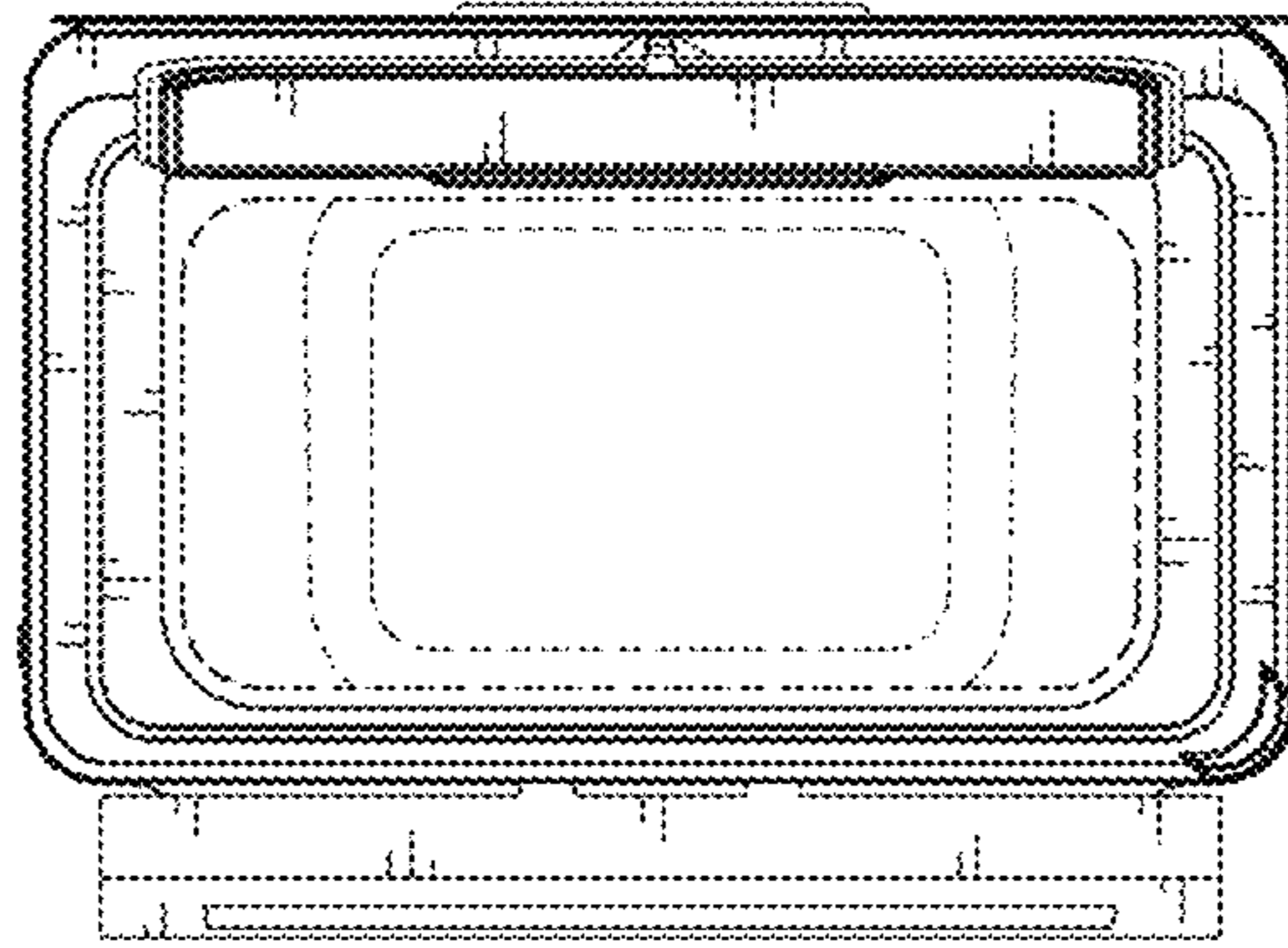


FIG. 7

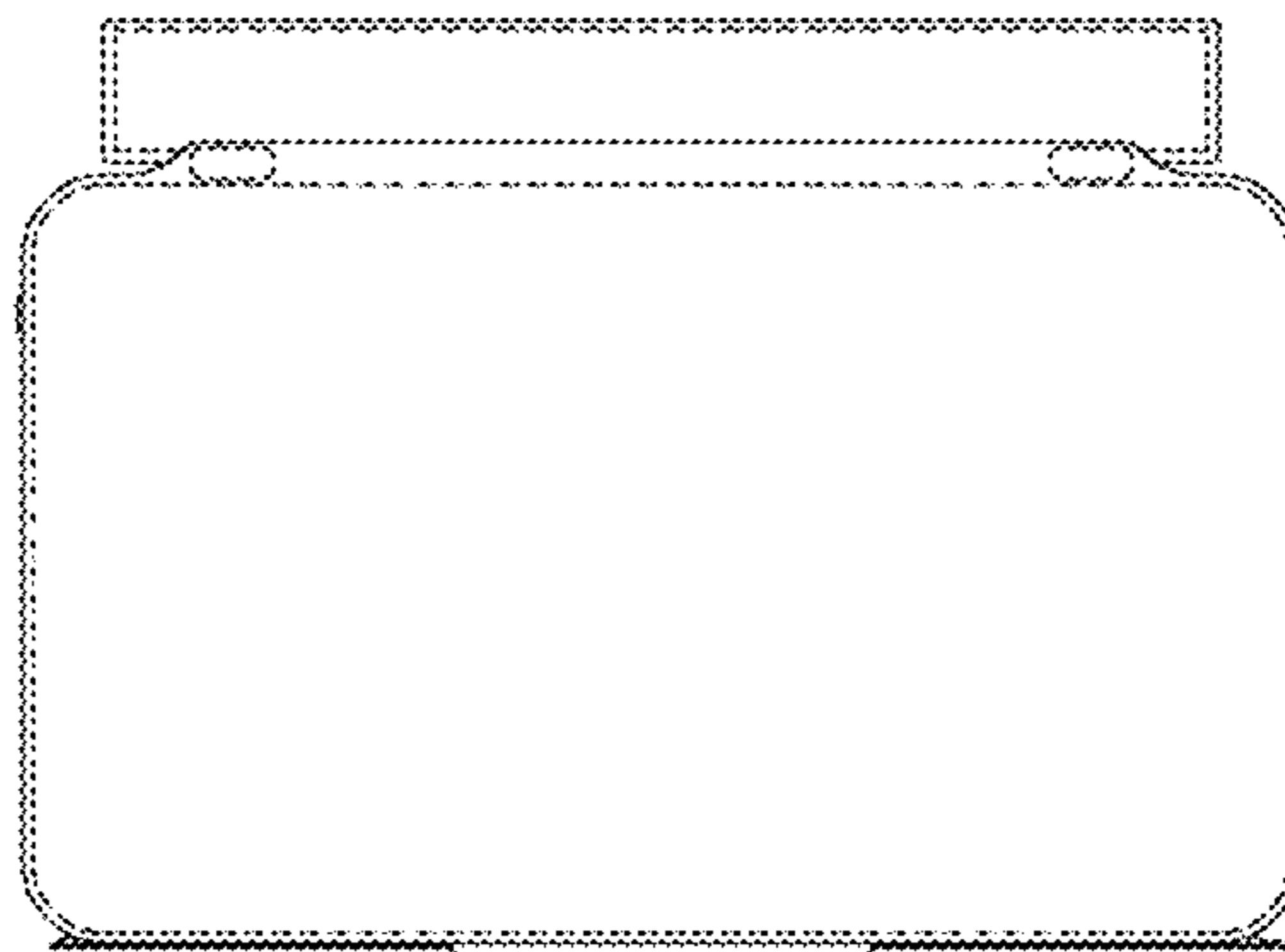


FIG. 8

