



US00D909001S

(12) **United States Design Patent**
Ross et al.

(10) **Patent No.:** **US D909,001 S**
(45) **Date of Patent:** **** Jan. 26, 2021**

(54) **DUMPSTER**

(71) Applicant: **Southern Illinois Waste Container, LLC**, Marion, IL (US)

(72) Inventors: **Darrell Ross**, Marion, IL (US); **Mark Colombo**, Marion, IL (US); **Dax Mezo**, Herrin, IL (US)

(73) Assignee: **Southern Illinois Waste Container, LLC**, Marion, IL (US)

(**) Term: **15 Years**

(21) Appl. No.: **29/698,164**

(22) Filed: **Jul. 15, 2019**

(51) **LOC (13) Cl.** **09-09**

(52) **U.S. Cl.**
USPC **D34/7**

(58) **Field of Classification Search**
USPC D34/1-11; D9/737, 738, 770, 772, 777, D9/778; D7/603, 604, 605, 608
CPC B65F 1/00; B65F 1/163; B65F 1/1638; B65F 1/0033; B65F 1/16; B65F 1/122; B65F 2001/1489; B65F 2240/132; Y10S 220/908; A01K 1/001
See application file for complete search history.

(56) **References Cited**

U.S. PATENT DOCUMENTS

D398,430 S * 9/1998 Taylor D34/11
5,967,361 A * 10/1999 Darnell B65F 1/02
220/623

D517,265 S * 3/2006 Berres, Jr. D34/3
D781,936 S * 3/2017 Broyhill D15/123
9,718,616 B1 * 8/2017 Deming B65F 1/1646
D853,068 S * 7/2019 Chen D34/9
2009/0179444 A1 * 7/2009 Apps B65F 1/122
294/68.2
2011/0036854 A1 * 2/2011 Baltz B65F 1/16
220/810
2012/0043327 A1 * 2/2012 Baltz B65F 1/004
220/315
2012/0199590 A1 * 8/2012 Therrien B65F 1/1607
220/564

* cited by examiner

Primary Examiner — George A Bugg

Assistant Examiner — Tamara L Hahn

(74) *Attorney, Agent, or Firm* — Craig R. Miles; CR Miles P.C.

(57) **CLAIM**

The ornamental design for a dumpster, as shown and described.

DESCRIPTION

FIG. 1 is a perspective view of a dumpster, embodying our new design;
FIG. 2 is a first end elevation view thereof;
FIG. 3 is a second end elevation view thereof;
FIG. 4 is a first side elevation view thereof;
FIG. 5 is a second side elevation view thereof; and,
FIG. 6 is a top plan view thereof.
The broken lines in the drawings depict portions of the dumpster that form no part of the claimed design.

1 Claim, 4 Drawing Sheets

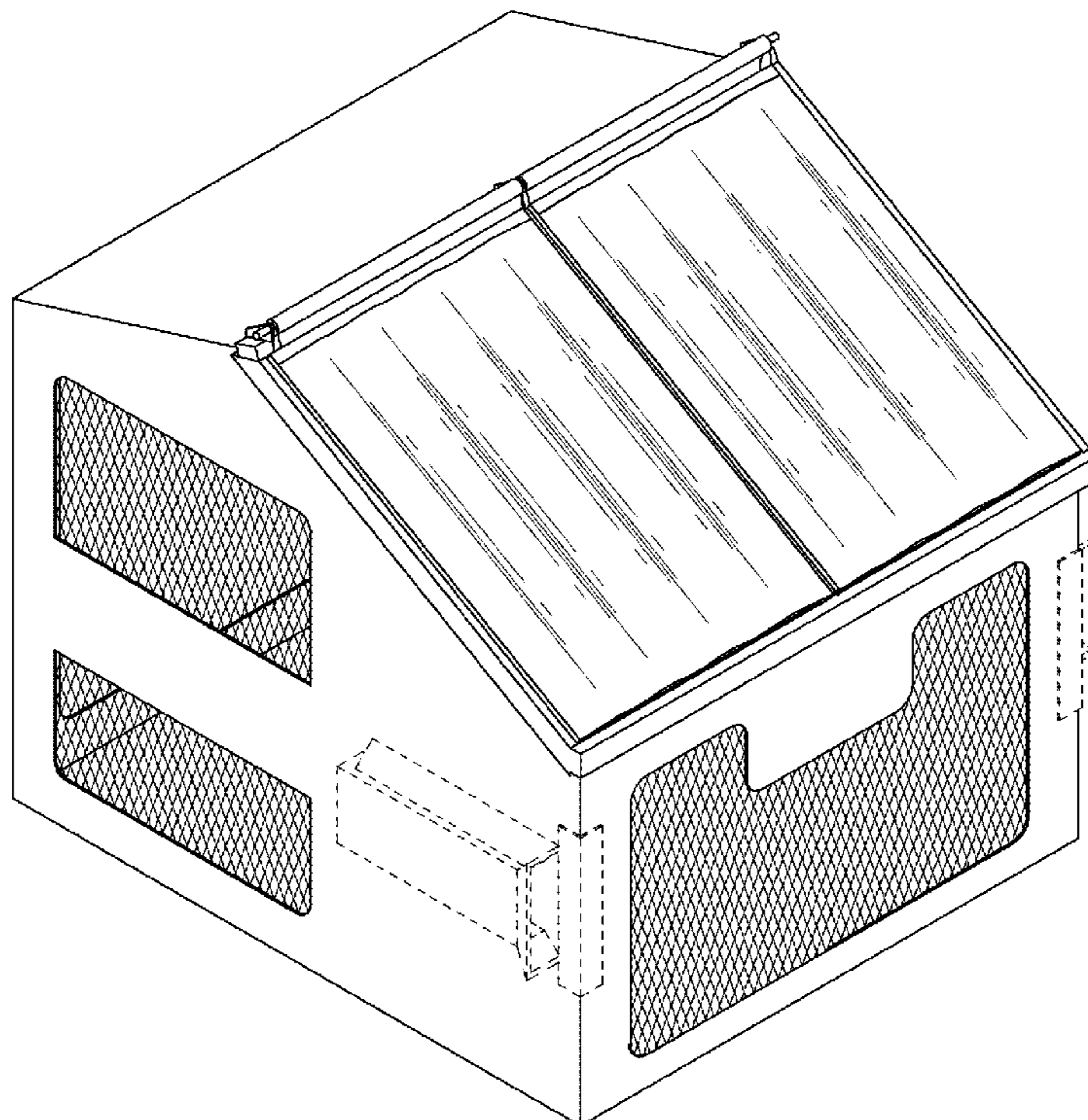


FIG. 1

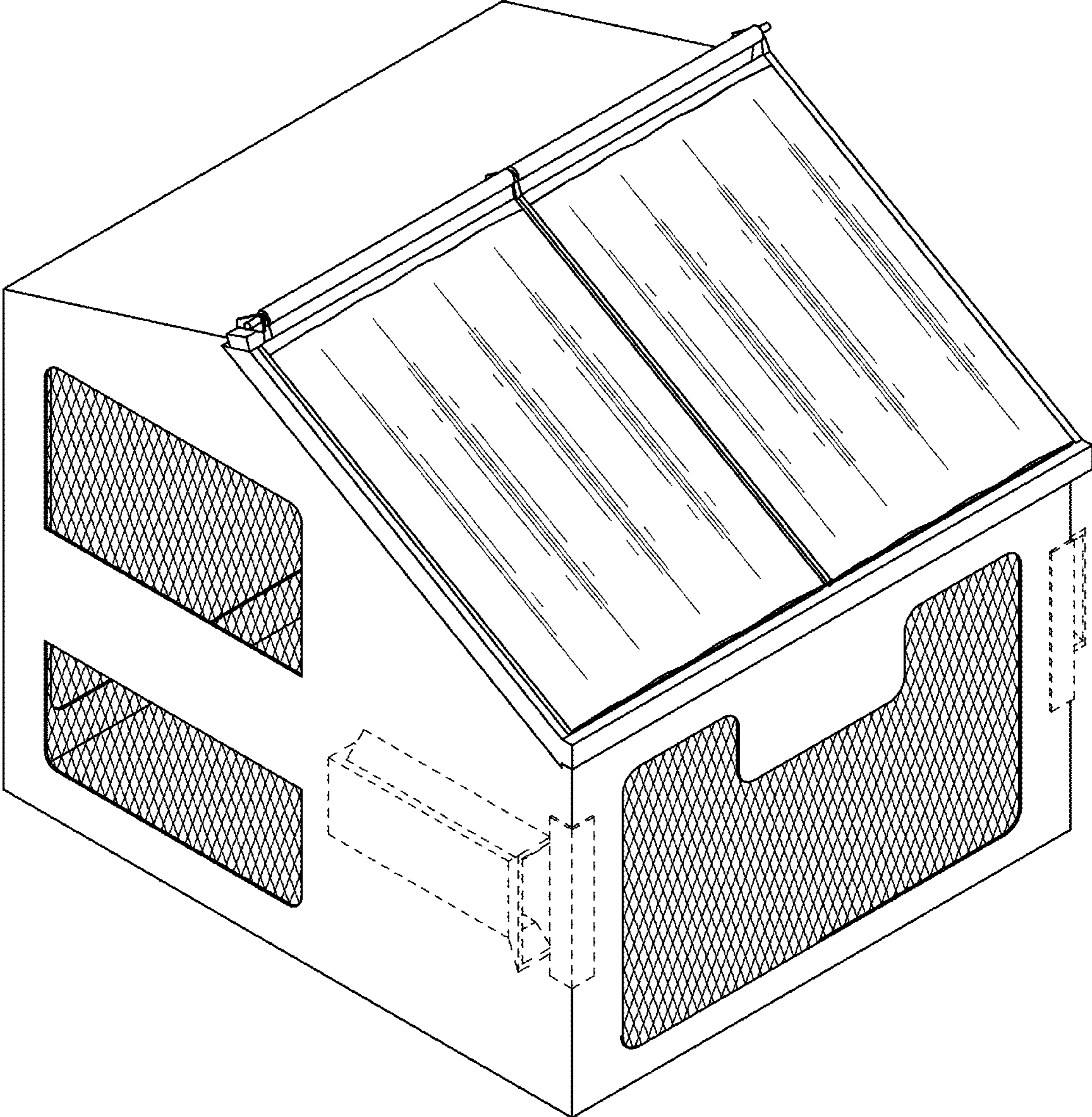


FIG. 2

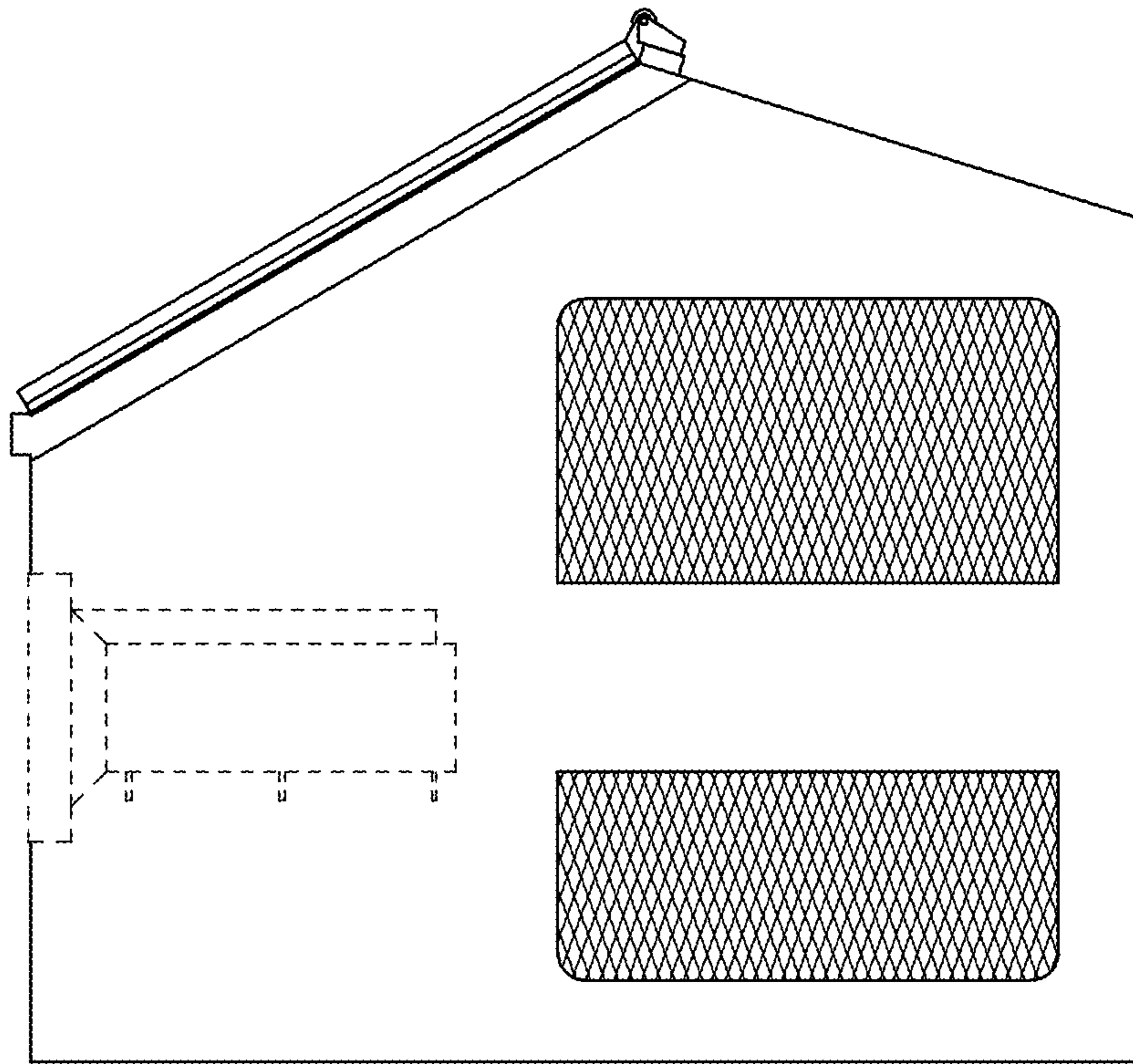


FIG. 3

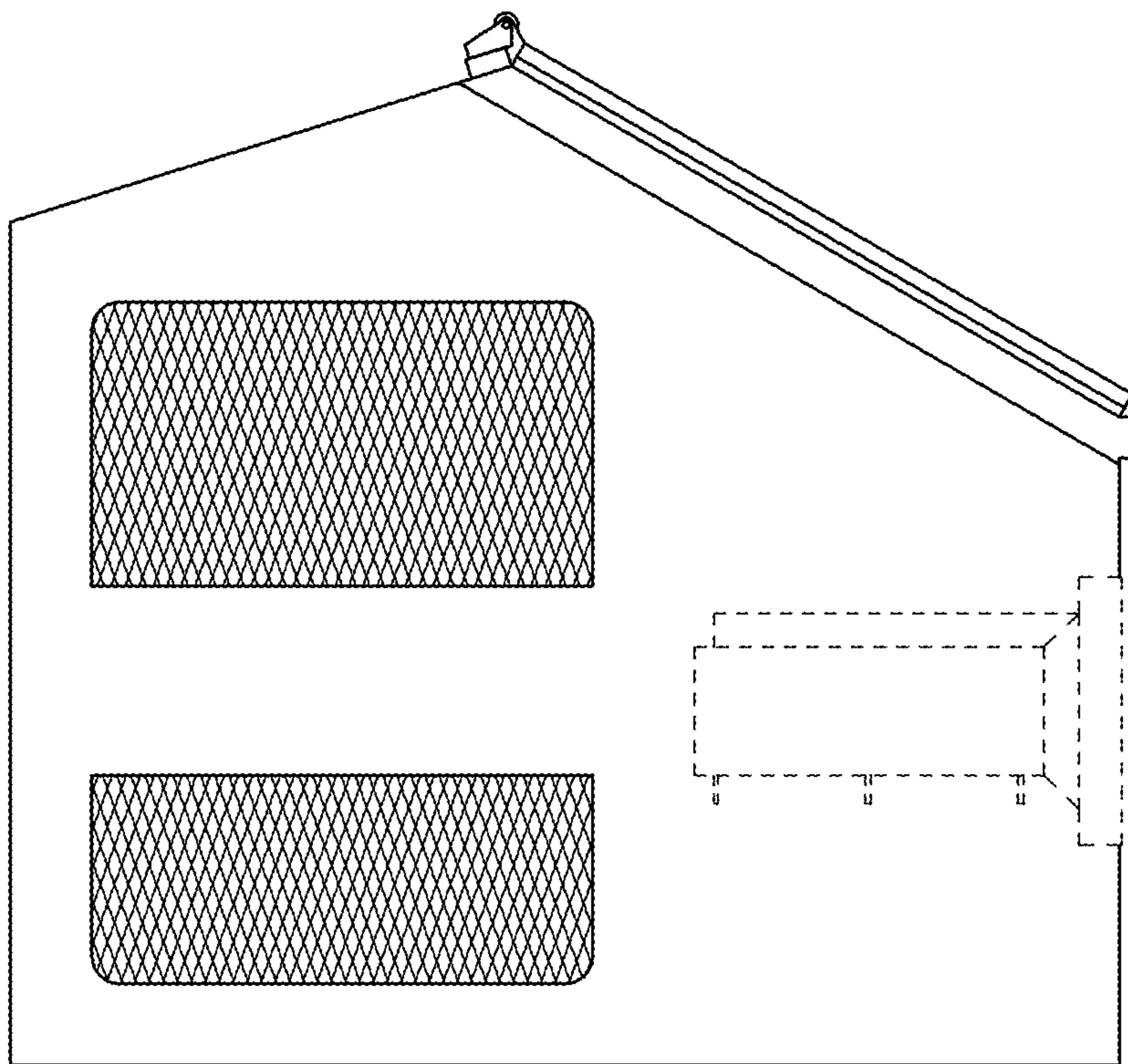


FIG. 5

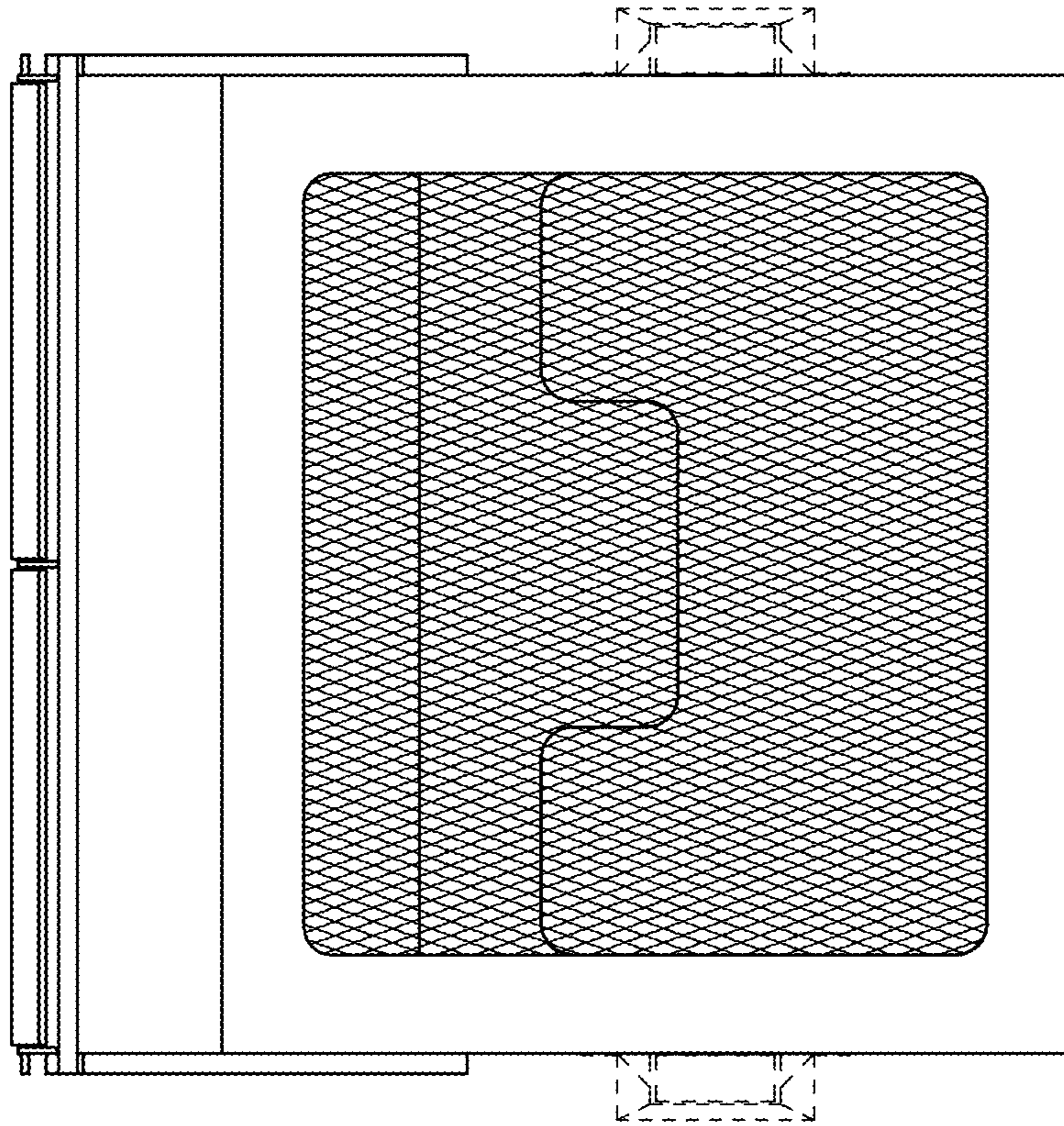


FIG. 4

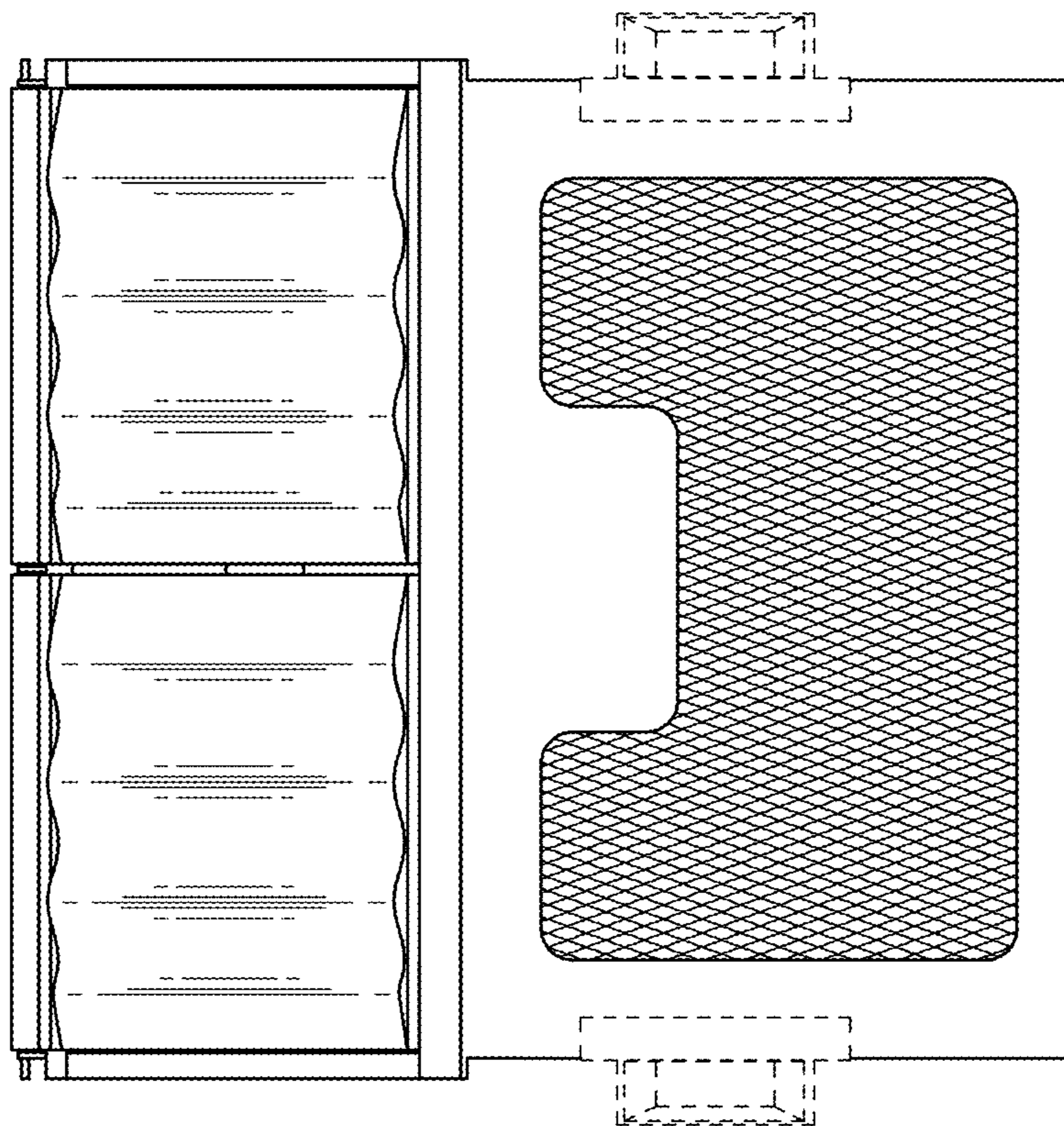


FIG. 6

