



US00D908999S

(12) **United States Design Patent** (10) **Patent No.:** **US D908,999 S**  
**Lambertson, Jr. et al.** (45) **Date of Patent:** **\*\* Jan. 26, 2021**

(54) **COATING MATERIAL CONTAINER**

(71) Applicant: **SWIMC LLC**, Cleveland, OH (US)

(72) Inventors: **Michael C. Lambertson, Jr.**, Aurora, OH (US); **Joshua R. Robertson**, North Ridgeville, OH (US)

(73) Assignee: **SWIMC LLC**, Cleveland, OH (US)

(\*\*) Term: **15 Years**

(21) Appl. No.: **29/682,054**

(22) Filed: **Mar. 1, 2019**

(51) **LOC (13) Cl.** ..... **07-05**

(52) **U.S. Cl.**  
USPC ..... **D32/53.1**

(58) **Field of Classification Search**  
USPC ..... D32/37, 53, 53.1, 54; D3/304, 307, 315, D3/905; D23/284, 288, 290; D7/603; D21/532  
CPC ..... B44D 3/123; B44D 3/128; B44D 3/12; B44D 3/126; B44D 3/127; B65D 2543/00092  
See application file for complete search history.

D460,845 S 7/2002 Bergman  
6,419,106 B1 7/2002 Bebak  
D461,608 S 8/2002 Davenport et al.  
6,530,496 B2 3/2003 Moran  
D472,684 S 4/2003 Bebak  
6,708,838 B2 3/2004 Bergman  
6,729,665 B1 5/2004 Posey  
6,991,829 B2 1/2006 Bergman  
7,191,913 B2 3/2007 Byrne  
7,387,323 B1 6/2008 Minnette  
D581,118 S 11/2008 Bergman  
7,527,164 B1 5/2009 Reichborn  
D604,471 S 11/2009 Bergman

(Continued)

**FOREIGN PATENT DOCUMENTS**

CA 2422885 9/2001  
CA 2522230 10/2005

(Continued)

*Primary Examiner* — Sheryl Lane  
*Assistant Examiner* — Calvin E Vansant  
(74) *Attorney, Agent, or Firm* — Tucker Ellis, LLP; Patrick Clunk; Carlos Garritano

(57) **CLAIM**

The ornamental design for a coating material container, as shown and described.

(56) **References Cited**

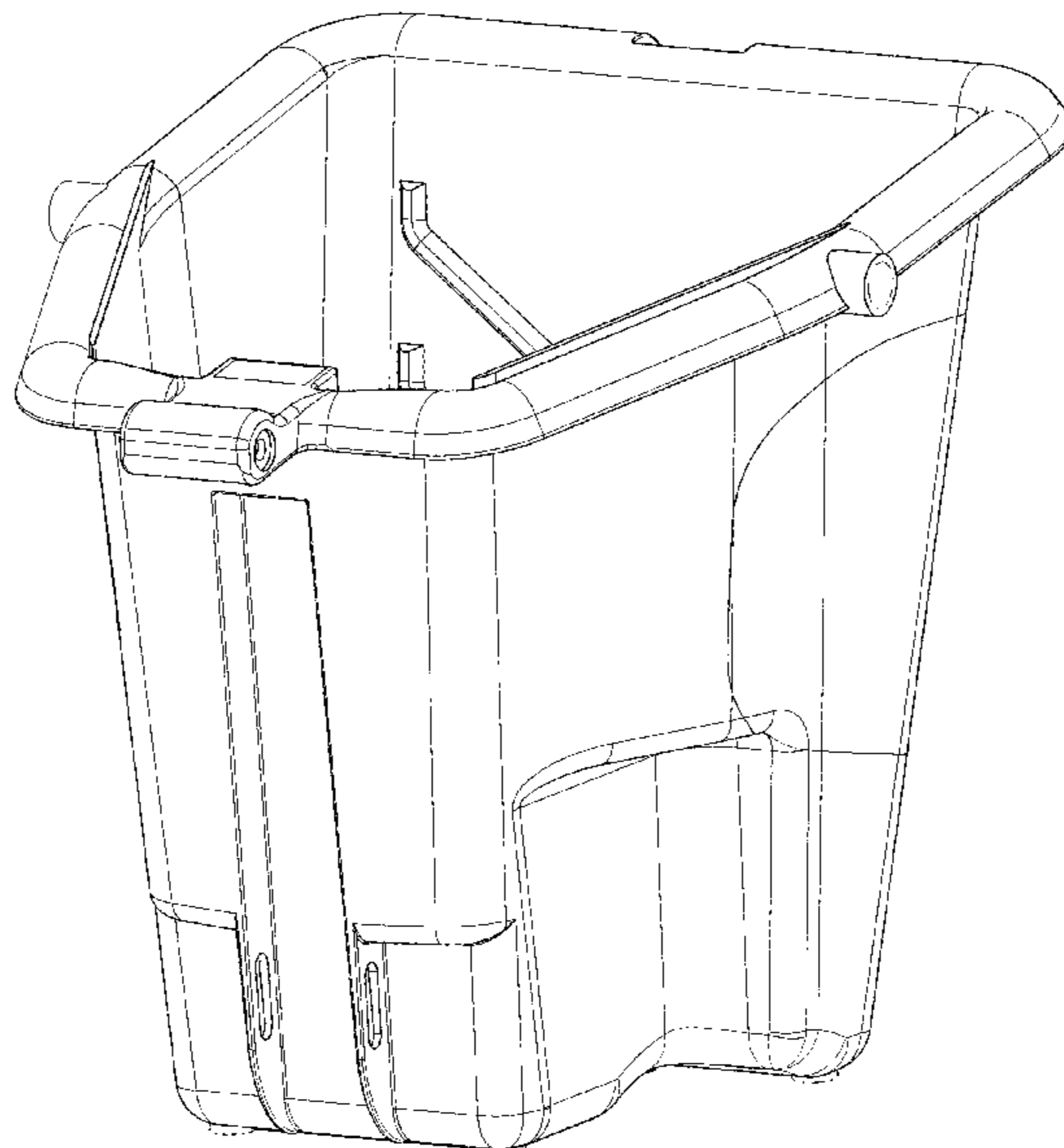
**U.S. PATENT DOCUMENTS**

2,277,739 A 3/1942 Worthington  
D245,450 S 8/1977 Donlon  
4,101,046 A 7/1978 Puntillo  
D364,017 S 11/1995 Moffitt  
5,549,216 A 8/1996 Scholl  
RE35,933 E 10/1998 Scholl  
6,102,458 A 8/2000 Scace  
6,138,963 A 10/2000 Malvasio  
6,220,491 B1 4/2001 Wu  
D444,929 S 7/2001 Cox  
6,394,304 B1 5/2002 Bohne  
D458,723 S 6/2002 Malvasio

**DESCRIPTION**

FIG. 1 is a perspective view of a coating material container showing our new design;  
FIG. 2 is a front view thereof;  
FIG. 3 is a rear view thereof;  
FIG. 4 is a top view thereof  
FIG. 5 is a bottom view thereof  
FIG. 6 is a left side view thereof; and,  
FIG. 7 is a right side view thereof.  
The broken lines depict portions of the coating material container that form no part of the claimed design.

**1 Claim, 7 Drawing Sheets**



# US D908,999 S

(56)

## References Cited

### U.S. PATENT DOCUMENTS

|              |      |         |                 |                              |
|--------------|------|---------|-----------------|------------------------------|
| 7,644,835    | B2   | 1/2010  | Bergman         |                              |
| D617,517     | S    | 6/2010  | Bergman         |                              |
| D627,119     | S    | 11/2010 | Bergman         |                              |
| D634,907     | S    | 3/2011  | Bergman         |                              |
| 7,959,030    | B2   | 6/2011  | Bergman         |                              |
| D643,983     | S *  | 8/2011  | Lockwood        | ..... D32/53                 |
| 8,087,554    | B2   | 1/2012  | Gringer         |                              |
| D661,855     | S    | 6/2012  | Bergman et al.  |                              |
| 8,286,825    | B2   | 10/2012 | Billado, Jr.    |                              |
| 8,308,341    | B2   | 11/2012 | Garcia          |                              |
| 8,333,300    | B2   | 12/2012 | Diaz            |                              |
| D678,638     | S    | 3/2013  | Bergman et al.  |                              |
| 8,505,788    | B2   | 8/2013  | Thibault        |                              |
| D690,482     | S    | 9/2013  | Bergman et al.  |                              |
| 8,550,285    | B2   | 10/2013 | Bergman         |                              |
| 8,556,116    | B2   | 10/2013 | Bergman         |                              |
| D694,979     | S *  | 12/2013 | Lambertson, Jr. | ..... D32/54                 |
| 8,608,019    | B2   | 12/2013 | Wren            |                              |
| D697,281     | S    | 1/2014  | Bergman et al.  |                              |
| 8,636,171    | B1   | 1/2014  | Dattilo         |                              |
| D702,907     | S    | 4/2014  | Bergman et al.  |                              |
| 8,919,604    | B2   | 12/2014 | Bergman         |                              |
| 9,022,253    | B2   | 5/2015  | Oster           |                              |
| D738,057     | S    | 9/2015  | Arvinte et al.  |                              |
| D744,186     | S    | 11/2015 | Gringer et al.  |                              |
| D744,711     | S    | 12/2015 | Gringer et al.  |                              |
| D756,049     | S *  | 5/2016  | Arvinte         | ..... D32/53                 |
| D761,511     | S    | 7/2016  | Malvasio        |                              |
| 9,409,200    | B2   | 8/2016  | Bergman         |                              |
| 9,415,901    | B2   | 8/2016  | Beckman         |                              |
| D783,917     | S    | 4/2017  | Gringer et al.  |                              |
| D794,892     | S *  | 8/2017  | Bergman         | ..... D32/53.1               |
| D796,140     | S *  | 8/2017  | Bergman         | ..... D32/53.1               |
| D804,124     | S *  | 11/2017 | Sagastume       | ..... D32/53                 |
| D838,072     | S *  | 1/2019  | Bergman         | ..... D32/53.1               |
| 10,266,306   | B2   | 4/2019  | Bergman         |                              |
| D866,900     | S *  | 11/2019 | Bergman         | ..... D32/53.1               |
| D867,708     | S *  | 11/2019 | Bergman         | ..... B44D 3/126<br>D32/53.1 |
| 2003/0184103 | A1   | 10/2003 | Cauchy          |                              |
| 2004/0206761 | A1 * | 10/2004 | Frantz          | ..... B44D 3/126<br>220/570  |
| 2006/0065668 | A1   | 3/2006  | Whitaker        |                              |

|              |    |         |                 |
|--------------|----|---------|-----------------|
| 2006/0175362 | A1 | 8/2006  | Gringer         |
| 2006/0201951 | A1 | 9/2006  | Cingel          |
| 2006/0226154 | A1 | 10/2006 | Lundy           |
| 2007/0012705 | A1 | 1/2007  | Bergman         |
| 2007/0295768 | A1 | 12/2007 | Gringer         |
| 2008/0223810 | A1 | 9/2008  | Garcia          |
| 2008/0251525 | A1 | 10/2008 | Fontaine        |
| 2010/0140275 | A1 | 6/2010  | Billado, Jr.    |
| 2011/0163104 | A1 | 7/2011  | Hagen           |
| 2011/0315700 | A1 | 12/2011 | MacDonald       |
| 2013/0119064 | A1 | 5/2013  | MacKay et al.   |
| 2013/0175281 | A1 | 7/2013  | Dattilo         |
| 2013/0341341 | A1 | 12/2013 | Giedroyce       |
| 2015/0217595 | A1 | 8/2015  | Piatek et al.   |
| 2015/0298496 | A1 | 10/2015 | Payne           |
| 2016/0229591 | A1 | 8/2016  | Bajuyo          |
| 2017/0057697 | A1 | 3/2017  | Fee et al.      |
| 2017/0113838 | A1 | 4/2017  | Bergman         |
| 2017/0129277 | A1 | 5/2017  | Rogowski et al. |
| 2017/0253380 | A1 | 9/2017  | Boyer et al.    |
| 2018/0043731 | A1 | 2/2018  | Cheng           |
| 2018/0043732 | A1 | 2/2018  | Gringer et al.  |
| 2019/0217991 | A1 | 7/2019  | Bergman et al.  |

### FOREIGN PATENT DOCUMENTS

|    |             |         |
|----|-------------|---------|
| CA | 2800164     | 10/2005 |
| CA | 2800172     | 10/2005 |
| CA | 2508552     | 10/2006 |
| CA | 2959636     | 3/2017  |
| DE | 60127156 T2 | 11/2007 |
| EP | 1792834     | 6/2007  |
| EP | 1332095     | 7/2007  |
| EP | 1792834     | 11/2007 |
| EP | 2565049     | 6/2013  |
| EP | 3213655     | 6/2017  |
| GB | 881203      | 11/1961 |
| GB | 1190428     | 5/1970  |
| GB | 2404608     | 9/2005  |
| WO | 9118810     | 12/1991 |
| WO | 0027719     | 5/2000  |
| WO | 0224537     | 3/2002  |
| WO | 2010036606  | 4/2010  |

\* cited by examiner

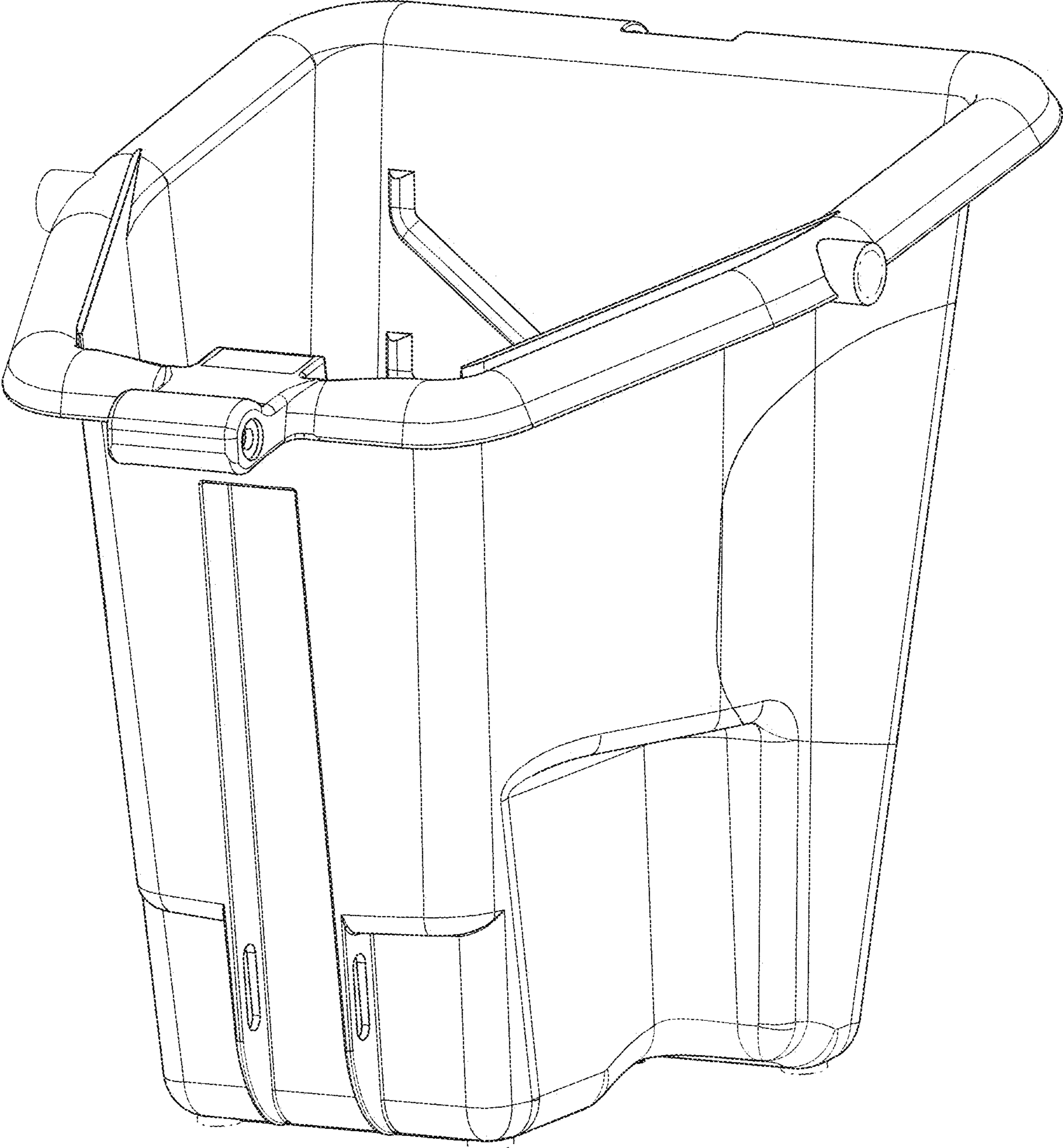


FIG. 1

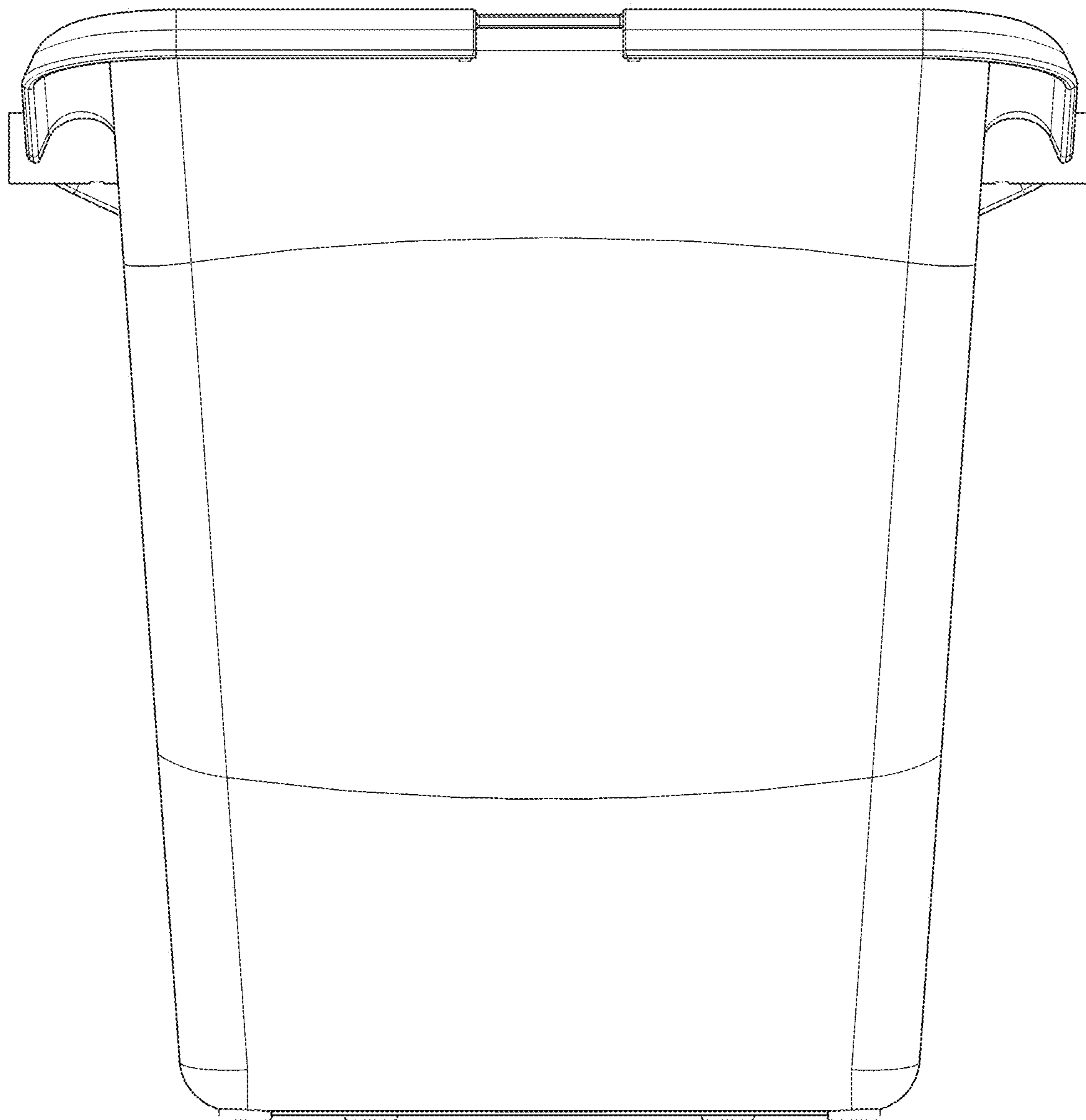


FIG. 2

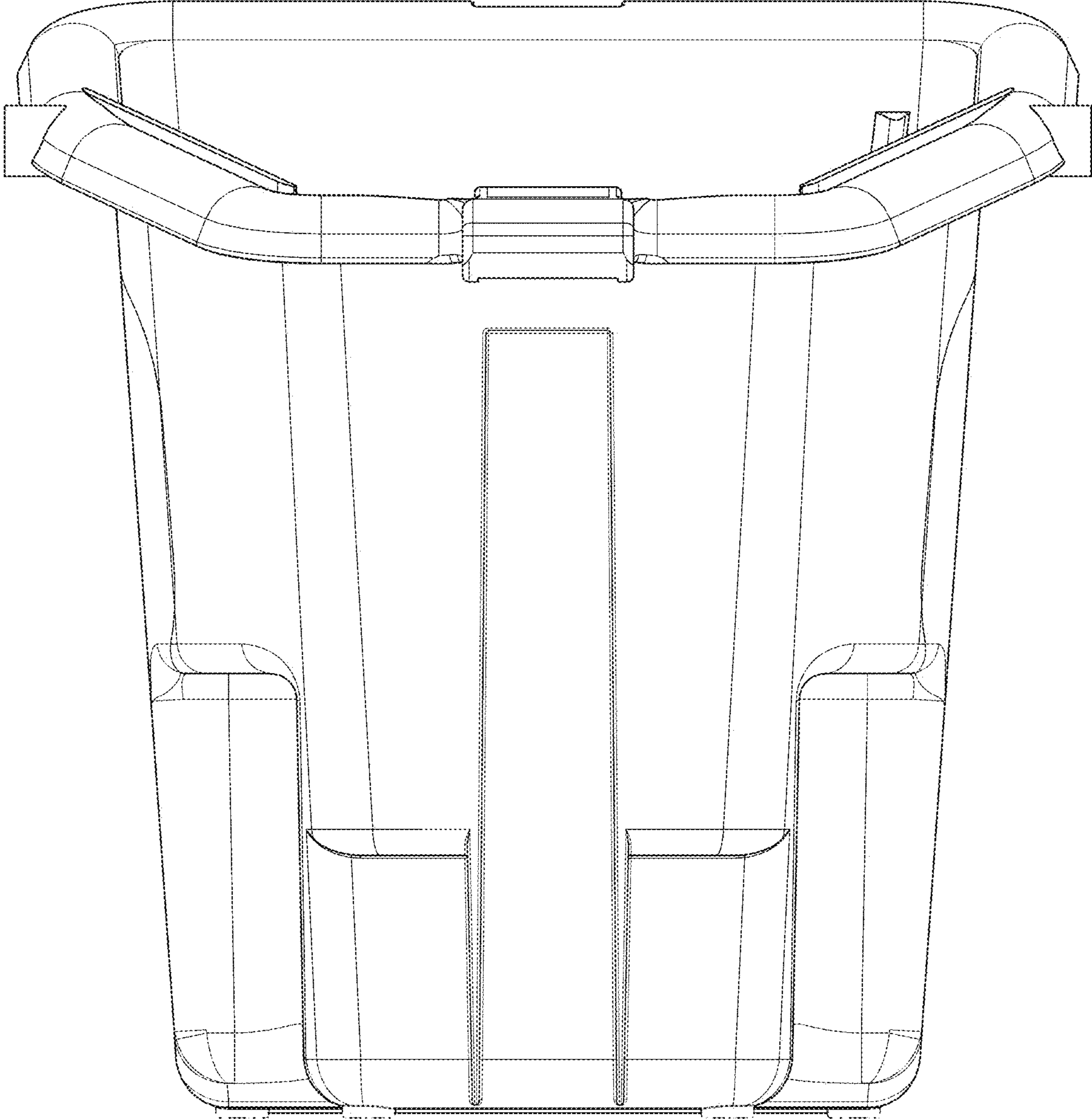


FIG. 3

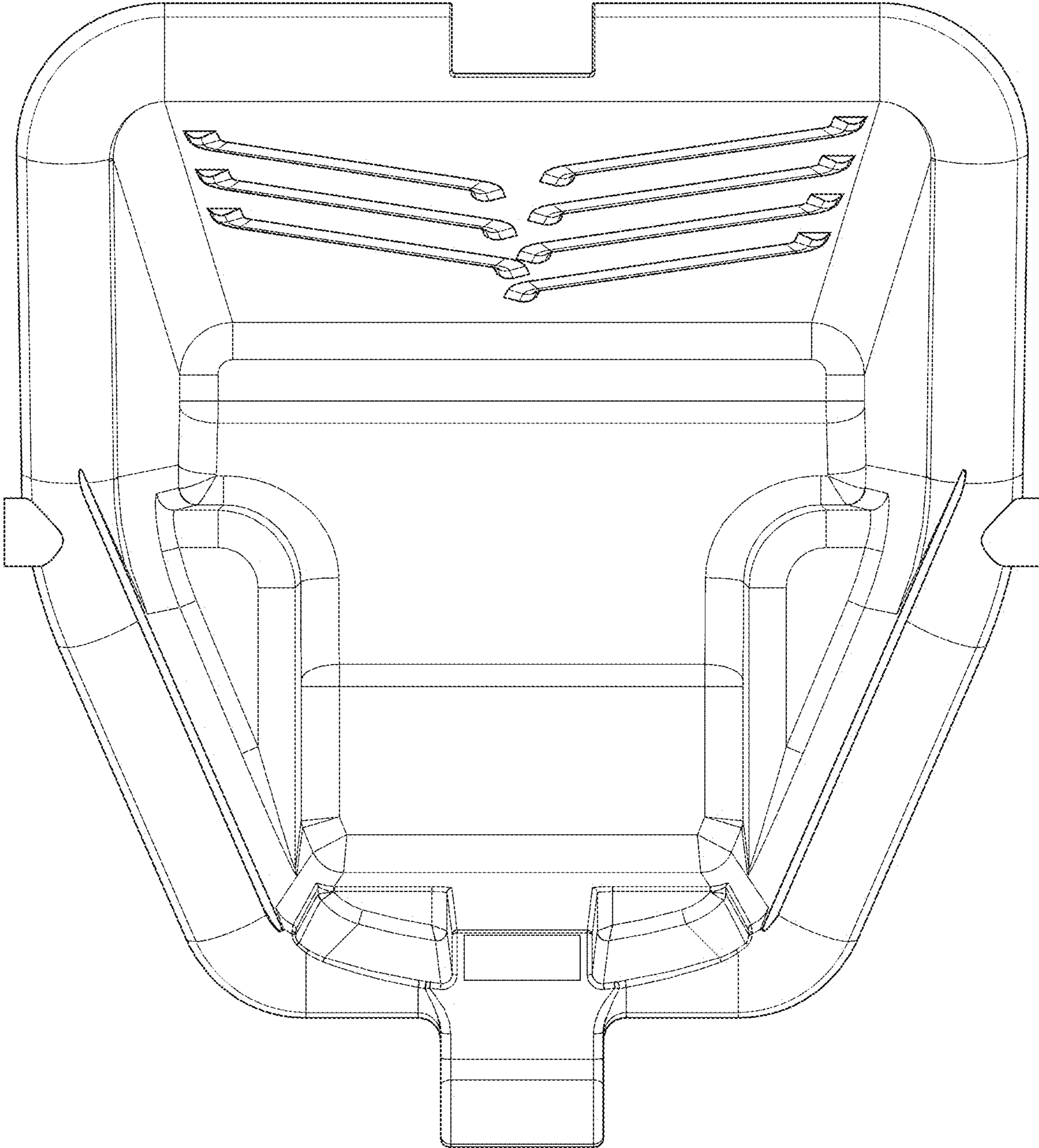


FIG. 4

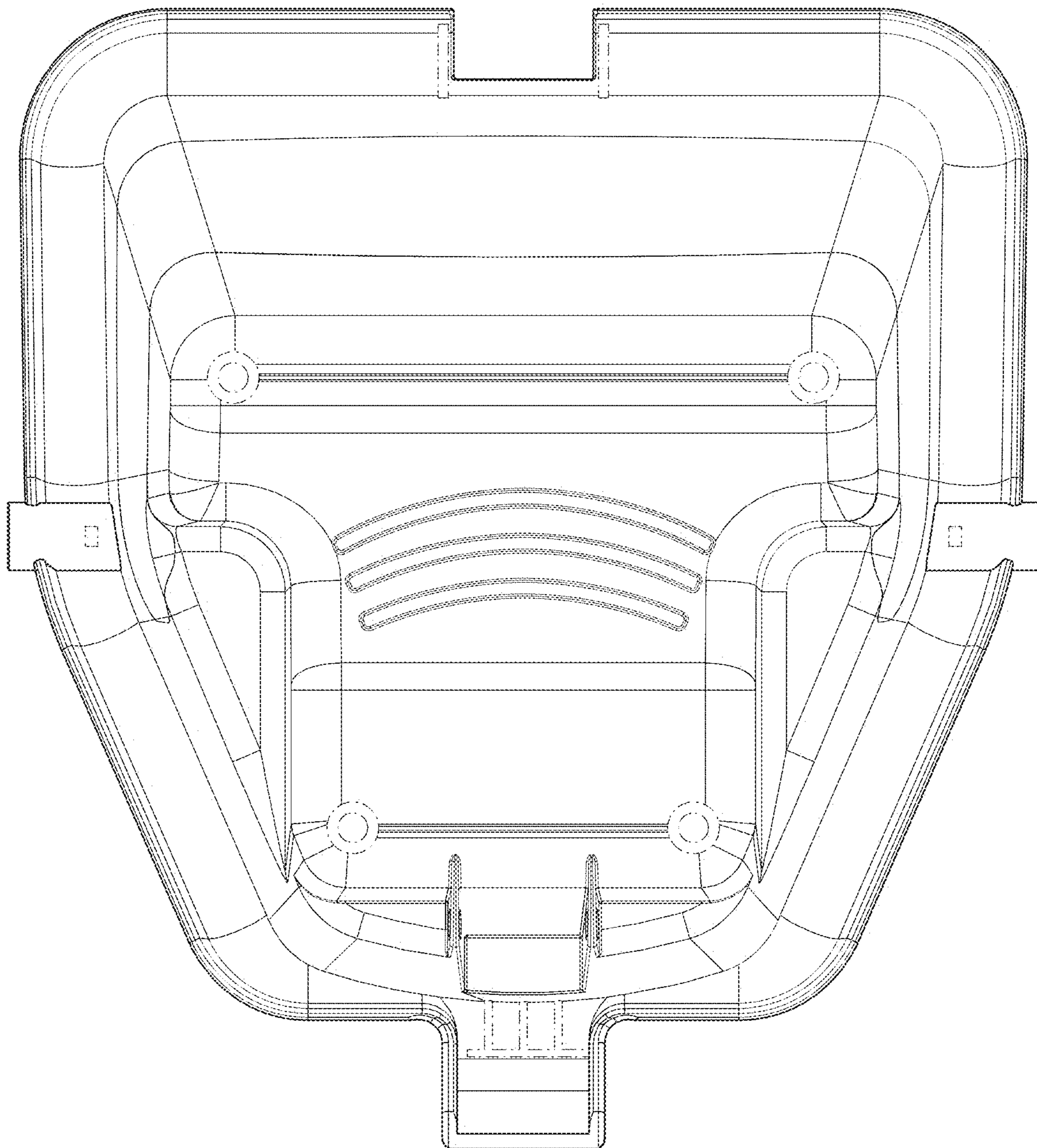


FIG. 5

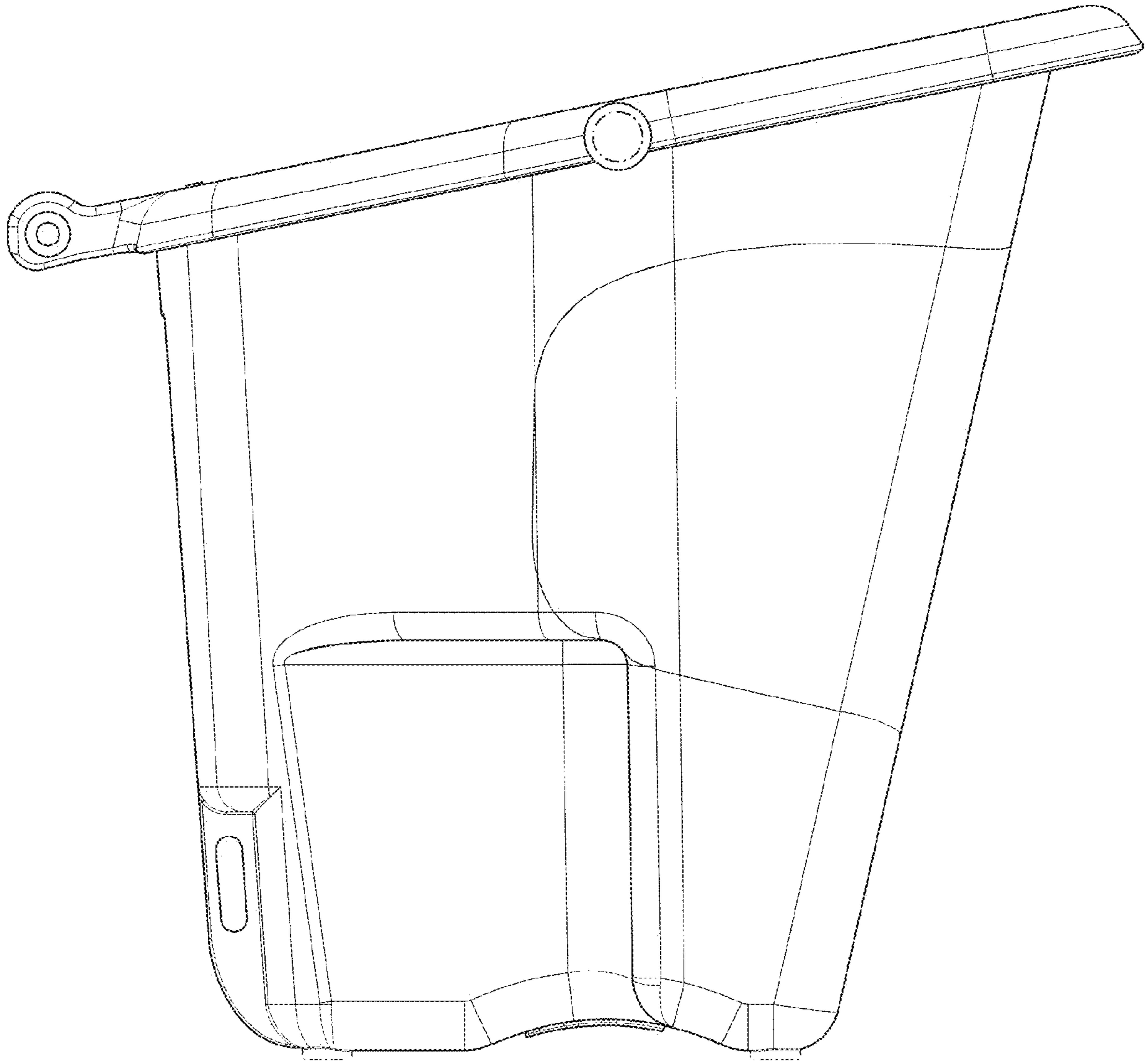


FIG. 6



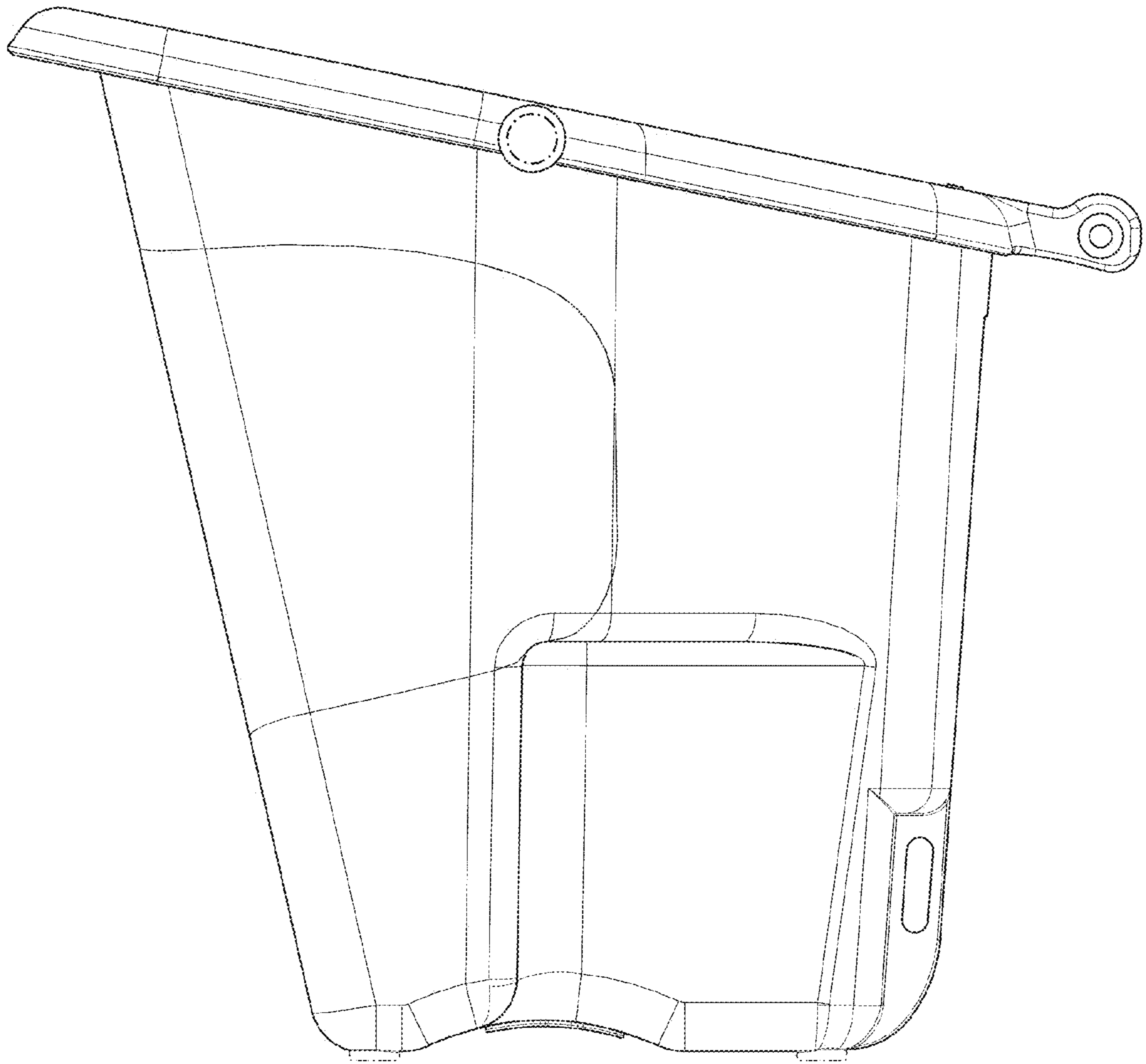


FIG. 7