



US00D908995S

(12) **United States Design Patent** (10) **Patent No.:** **US D908,995 S**
Xia et al. (45) **Date of Patent:** **** Jan. 26, 2021**

- (54) **BRUSHROLL FOR A MULTI-SURFACE VACUUM CLEANER**
- (71) Applicant: **BISSELL Inc.**, Grand Rapids, MI (US)
- (72) Inventors: **Jincheng Xia**, Shenzhen (CN); **Jianjun Ge**, Guangzhou (CN)
- (73) Assignee: **BISSELL INC.**, Grand Rapids, MI (US)
- (**) Term: **15 Years**
- (21) Appl. No.: **29/682,073**
- (22) Filed: **Mar. 1, 2019**

Related U.S. Application Data

- (63) Continuation of application No. 16/045,057, filed on Jul. 25, 2018, now Pat. No. 10,820,769, which is a continuation of application No. 15/850,928, filed on Dec. 21, 2017, now Pat. No. 10,631,702, which is a continuation-in-part of application No. 15/331,041, filed on Oct. 21, 2016, now Pat. No. 10,092,155, which is a continuation of application No. (Continued)

- (51) **LOC (13) Cl.** **15-05**
- (52) **U.S. Cl.**
USPC **D32/31; D32/33**
- (58) **Field of Classification Search**
USPC D4/122, 127, 128, 131, 132, 133, 136;
D32/31, 32, 33
CPC . A47L 11/401; A47L 5/30; A47L 5/32; A47L 5/36; A47L 9/0477; A47L 9/24; A47L 9/242; A47L 9/248; F16L 11/04; F16L 11/11; F16L 11/15

See application file for complete search history.

- (56) **References Cited**
U.S. PATENT DOCUMENTS
D222,702 S * 12/1971 Schaefer D32/31
5,495,634 A * 3/1996 Brundula A47L 5/30
15/179

(Continued)

FOREIGN PATENT DOCUMENTS

- GB 1023556 3/1966

OTHER PUBLICATIONS

https://www.amazon.com/Replacement-Multi-Surface-Compatible-Bissell-CrossWave/dp/B07QSQ1V89/ref=asc_df_B07QSQ1V89/ (Year: 2020).*

(Continued)

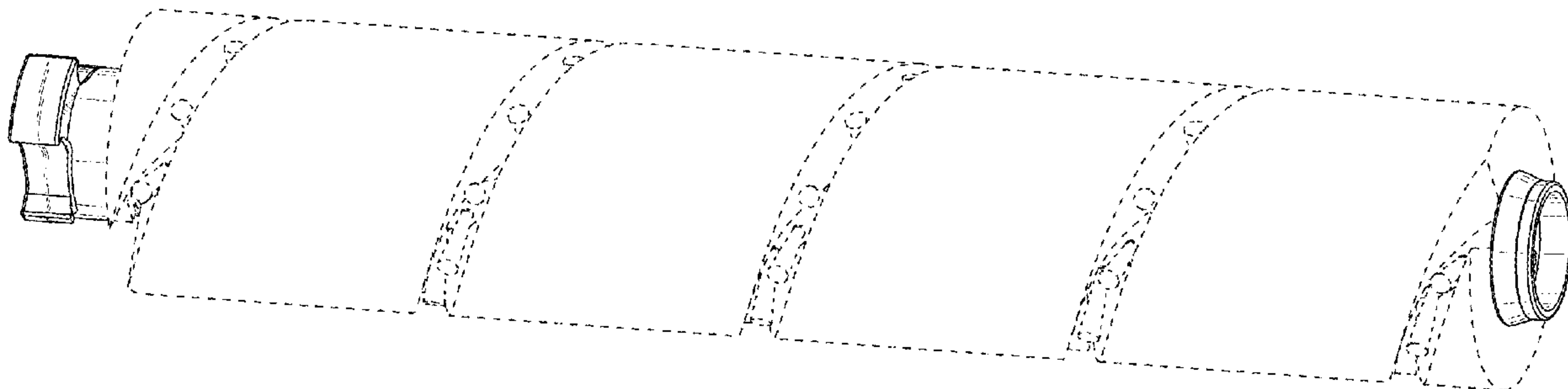
Primary Examiner — Michelle E. Wilson
Assistant Examiner — Richard E Yenchesky
(74) *Attorney, Agent, or Firm* — Warner Norcross + Judd LLP

(57) **CLAIM**
The ornamental design for a brushroll for a multi-surface vacuum cleaner, as shown and described.

DESCRIPTION

FIG. 1 is a right perspective view of a brush for a multi-surface vacuum cleaner showing our new design; and, FIG. 2 is a left perspective view thereof. The details shown in broken lines form no part of the claimed design. It is the Applicant's intention to disclose all of the features of the figures as part of the specification and to reserve the right to claim (i.e., by showing in solid lines or as shaded surfaces) all or part of the portions of the design currently disclaimed, either in a continuation application or by amendment of the drawings of the present application. Applicants further reserve the right to disclaim (i.e., by showing in phantom lines or removing surface shading) all or part of the portions of the design currently disclaimed, either in a continuation application or by amendment of the drawings of the present application.

1 Claim, 2 Drawing Sheets



Related U.S. Application Data

15/331,041, filed on Oct. 21, 2016, now Pat. No. 10,092,155.

(56) **References Cited**

U.S. PATENT DOCUMENTS

6,314,611 B1 * 11/2001 Sauers A47L 9/0455
15/376
D478,698 S * 8/2003 Mertes D32/31
D518,258 S * 3/2006 Hamm D32/31
D647,265 S * 10/2011 Follows D32/31
D680,287 S * 4/2013 Morgan D32/31
D680,289 S * 4/2013 Gray D32/31
D716,510 S * 10/2014 Gilbert, Jr. D32/31
D747,052 S * 1/2016 Therrien D32/31
D785,883 S * 5/2017 Wennerstrom D32/31
D790,785 S * 6/2017 Courtney D32/31
D796,134 S * 8/2017 LaBarbera D32/31
9,883,779 B2 * 2/2018 Kasper A47L 9/0477
D843,733 S * 3/2019 Chavana, Jr. D4/128
D850,039 S * 5/2019 Dou D32/31
D878,692 S * 3/2020 Bosyj D32/31
2017/0311767 A1 * 11/2017 Fang A47L 11/19

OTHER PUBLICATIONS

<https://www.tradewheel.com/p/bissell-vacuum-cleaner-parts-of-bissell-45997/> (Year: 2020).*
https://www.amazon.com/dp/B07VXV3YTT/ref=sspa_dk_detail_4
(Year: 2020).*

* cited by examiner

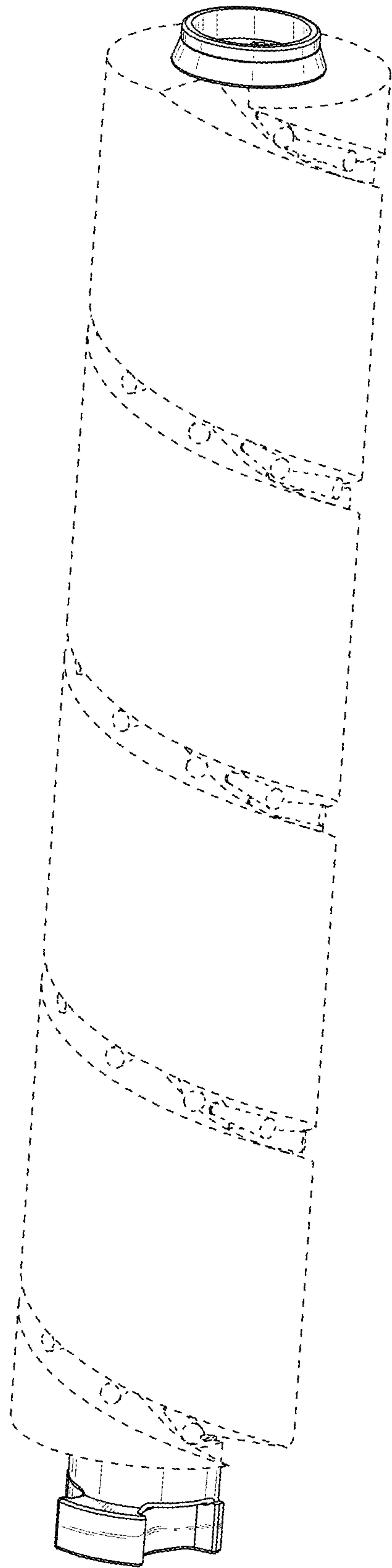


FIG. 1

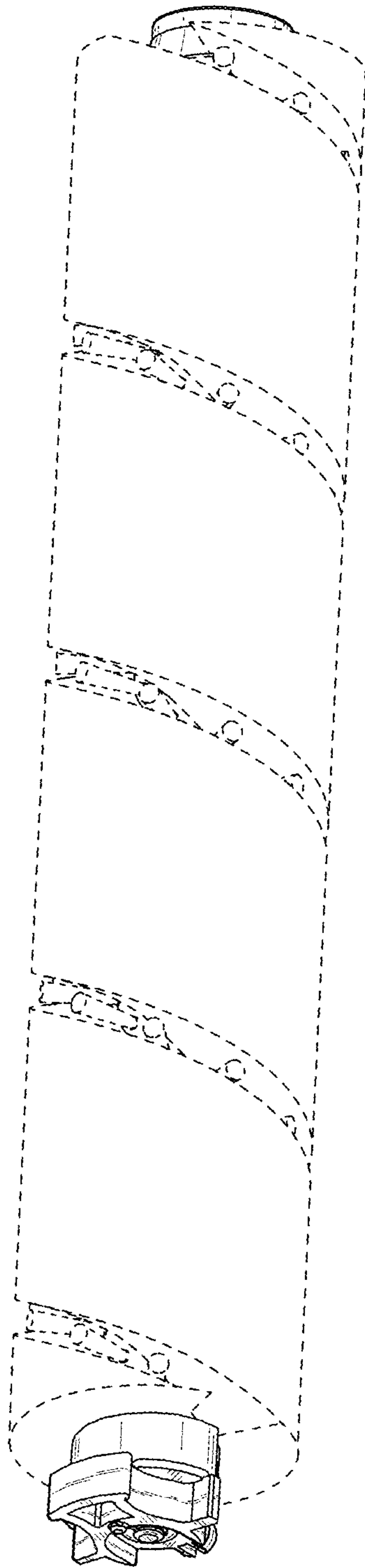


FIG. 2

UNITED STATES PATENT AND TRADEMARK OFFICE
CERTIFICATE OF CORRECTION

PATENT NO. : D908,995 S
APPLICATION NO. : 29/682073
DATED : January 26, 2021
INVENTOR(S) : Jincheng Xia et al.

Page 1 of 1

It is certified that error appears in the above-identified patent and that said Letters Patent is hereby corrected as shown below:

On the Title Page

Related U.S. Application Data (63) should be replaced with:

Continuation of application No. 16/045,057, filed on Jul. 25, 2018, now Pat. No. 10,820,769, which is a continuation of application No. 15/331,041, filed on Oct. 21, 2016, now Pat. No. 10,092,155, and a continuation of 15/850,928, filed on Dec. 21, 2017, now Pat. No. 10,631,702, which is a continuation-in-part of 15/331,041, filed on Oct. 21, 2016, now Pat. No. 10,092,155.

Signed and Sealed this
Second Day of March, 2021



Drew Hirshfeld
*Performing the Functions and Duties of the
Under Secretary of Commerce for Intellectual Property and
Director of the United States Patent and Trademark Office*