



US00D908994S

(12) **United States Design Patent**
Xia et al.

(10) **Patent No.:** **US D908,994 S**

(45) **Date of Patent:** **** Jan. 26, 2021**

(54) **BRUSHROLL FOR A MULTI-SURFACE VACUUM CLEANER**

(71) Applicant: **BISSELL Inc.**, Grand Rapids, MI (US)

(72) Inventors: **Jincheng Xia**, Shenzhen (CN); **Jianjun Ge**, Guangzhou (CN)

(73) Assignee: **BISSELL INC.**, Grand Rapids, MI (US)

(**) Term: **15 Years**

(21) Appl. No.: **29/682,072**

(22) Filed: **Mar. 1, 2019**

Related U.S. Application Data

(63) Continuation of application No. 16/045,057, filed on Jul. 25, 2018, now Pat. No. 10,820,769, and a continuation of application No. 15/850,928, filed on Dec. 21, 2017, now Pat. No. 10,631,702, which is a continuation-in-part of application No. 15/331,041, filed on Oct. 21, 2016, now Pat. No. 10,092,155, which is a continuation of application No. 15/331,041.

(51) **LOC (13) Cl.** **15-05**

(52) **U.S. Cl.**
USPC **D32/31**

(58) **Field of Classification Search**
USPC D32/31; D4/122
CPC A47L 11/4041; A47L 5/30; A47L 5/32;
A47L 5/36; A47L 9/0477; A47L 9/24;
A47L 9/242; A47L 9/248; F16L 11/04;
F16L 11/11; F16L 11/15

See application file for complete search history.

(56) **References Cited**

U.S. PATENT DOCUMENTS

D222,702 S * 12/1971 Schaefer D32/31
5,495,634 A * 3/1996 Brundula A47L 5/30
15/179

6,314,611 B1 * 11/2001 Sauers A47L 9/0455
15/376
D478,698 S * 8/2003 Mertes D32/31
D518,258 S * 3/2006 Hamm D32/31
D647,265 S * 10/2011 Follows D32/31
D680,287 S * 4/2013 Morgan D32/31
D680,289 S * 4/2013 Gray D32/31
D716,510 S * 10/2014 Gilbert, Jr. D32/31
D747,052 S * 1/2016 Therrien D32/31
D785,883 S * 5/2017 Wennerstrom D32/31
D790,785 S * 6/2017 Courtney D32/31

(Continued)

FOREIGN PATENT DOCUMENTS

GB 1023556 3/1966

OTHER PUBLICATIONS

https://www.amazon.com/Replacement-Multi-Surface-Compatible-Bissell-CrossWave/dp/B07QSQ1V89/ref=asc_df_B07QSQ1V89/ (Year: 2020).*

(Continued)

Primary Examiner — Michelle E. Wilson

Assistant Examiner — Richard E. Yenchesky

(74) *Attorney, Agent, or Firm* — Warner Norcross + Judd LLP

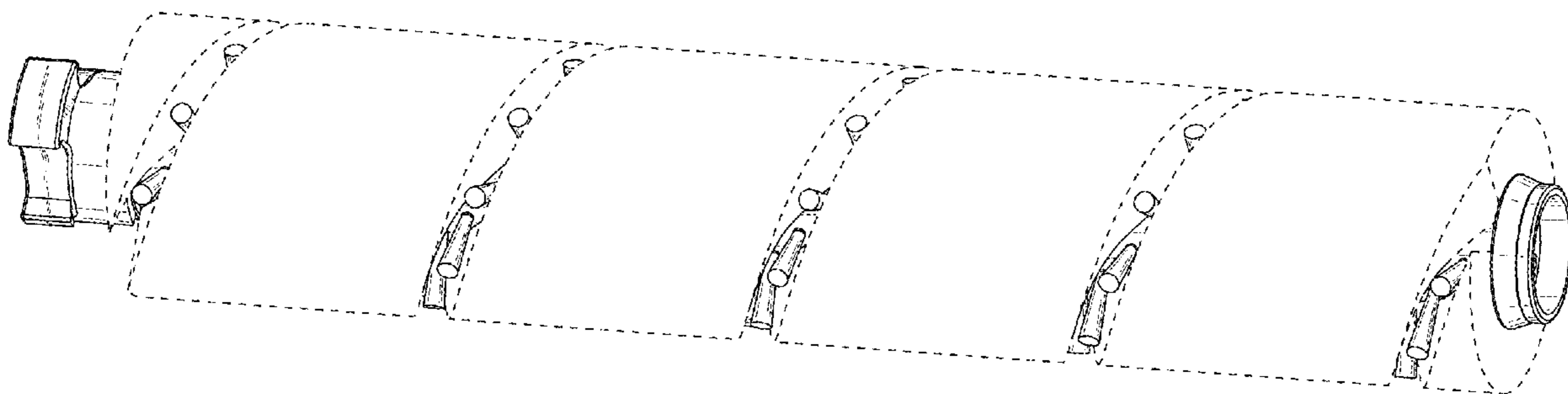
(57) **CLAIM**

The ornamental design for a brushroll for a multi-surface vacuum cleaner, as shown and described.

DESCRIPTION

FIG. 1 is a right perspective view of a brush for a multi-surface vacuum cleaner showing our new design; and, FIG. 2 is a left perspective view thereof. The details shown in broken lines form no part of the claimed design.

1 Claim, 2 Drawing Sheets



(56)

References Cited

U.S. PATENT DOCUMENTS

D796,134 S * 8/2017 Labarbera D32/31
9,883,779 B2 * 2/2018 Kasper A47L 9/0477
D843,733 S * 3/2019 Chavana, Jr. D4/128
D850,039 S * 5/2019 Dou D32/31
D878,692 S * 3/2020 Bosyj D32/31
2017/0311767 A1 * 11/2017 Fang A47L 11/19

OTHER PUBLICATIONS

<https://www.tradewheel.com/p/bissell-vacuum-cleaner-parts-of-bisse11-45997> (Year: 2020).*

https://www.amazon.com/dp/B07VXV3YTT/ref=sspa_dk_detail_4 (Year: 2020).*

* cited by examiner

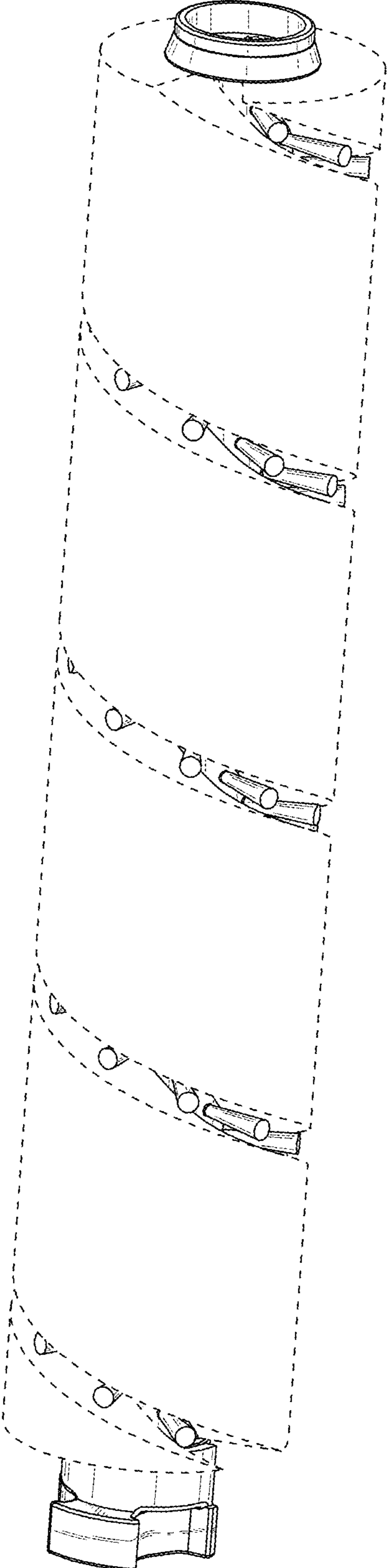


FIG. 1

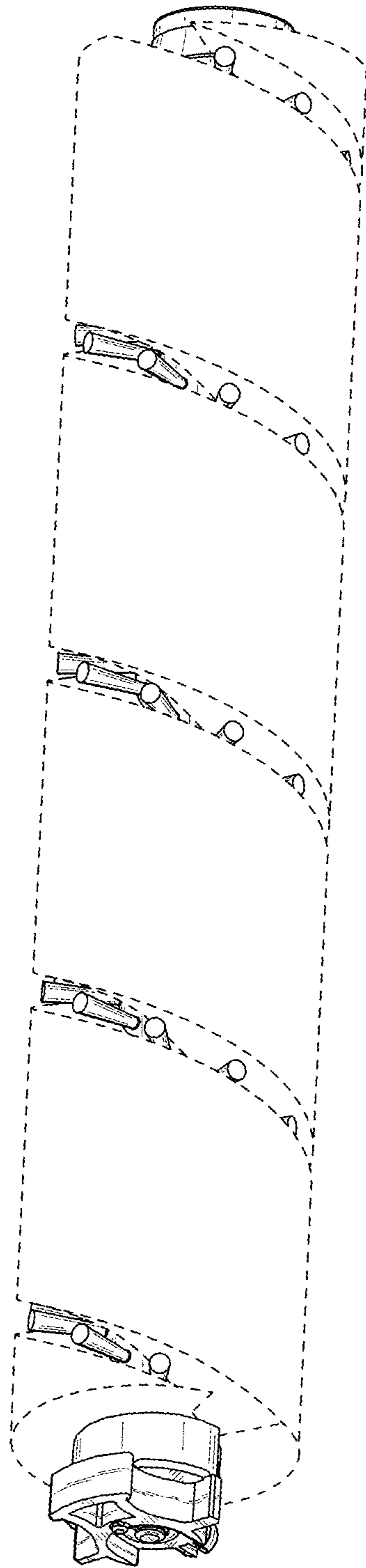


FIG. 2