



US00D908993S

(12) **United States Design Patent**  
**Li et al.**

(10) **Patent No.: US D908,993 S**  
(45) **Date of Patent: \*\* Jan. 26, 2021**

(54) **EVACUATION STATION**

(71) Applicant: **iRobot Corporation**, Bedford, MA (US)

(72) Inventors: **Yanhan Li**, Belmont, MA (US); **Jack Zhang**, Guangzhou (CN)

(73) Assignee: **iRobot Corporation**, Bedford, MA (US)

(\*\*) Term: **15 Years**

(21) Appl. No.: **29/646,583**

(22) Filed: **May 4, 2018**

(51) **LOC (13) Cl.** ..... **15-05**

(52) **U.S. Cl.**  
USPC ..... **D32/31**

(58) **Field of Classification Search**  
USPC ..... D32/15, 17, 18, 19, 21, 25, 31, 32, 33;  
D13/108  
CPC ..... A47L 5/00; A47L 9/0009; A47L 11/4011;  
A47L 9/00; A47L 9/28; A47L 9/04; A47L  
11/40; A47L 9/14; A47L 9/2873; A47L  
11/4005; A47L 11/4091; B25J 9/00; B25J  
11/00; G05D 1/0225  
See application file for complete search history.

(56) **References Cited**

U.S. PATENT DOCUMENTS

D262,974 S *	2/1982	Campbell	239/303
6,076,226 A	6/2000	Reed	
6,289,551 B1 *	9/2001	Basile	A47L 11/34 15/320
6,389,329 B1	5/2002	Colens	
6,748,297 B2	6/2004	Song et al.	
7,031,805 B2	4/2006	Lee et al.	
7,055,210 B2	6/2006	Keppler et al.	
D524,497 S	7/2006	Bruneau	
8,092,562 B2	1/2012	Sauer et al.	

8,146,199 B2 *	4/2012	Yoo	A47L 9/26 15/327.2
8,528,157 B2	9/2013	Schnittman et al.	
9,027,199 B2	5/2015	Jung et al.	
9,462,920 B1	10/2016	Morin et al.	
D782,412 S *	3/2017	Kim	D13/108
9,924,846 B2 *	3/2018	Morin	A47L 9/2821
D823,566 S *	7/2018	Kim	D32/33
D859,764 S *	9/2019	Sexton	D32/21
10,575,696 B2 *	3/2020	O'Brien	A47L 9/2852
2005/0150519 A1	7/2005	Keppler et al.	
2007/0226949 A1	10/2007	Hahm et al.	

(Continued)

OTHER PUBLICATIONS

Elliptical and Eyebrow Window Treatment Ideas (on-line), dated Apr. 26, 2017. Retrieved from Internet Aug. 27, 2020, URL: <https://web.archive.org/web/20170426042912/http://www.the-window-treatment-expert.com/eyebrow-window.html> (2 pages) (Year: 2017).\*

(Continued)

*Primary Examiner* — Kimberly Barnes  
(74) *Attorney, Agent, or Firm* — Fish & Richardson P.C.

(57) **CLAIM**

The ornamental design for an evacuation station, substantially as shown and described.

**DESCRIPTION**

FIG. 1 is a perspective view of an evacuation station showing our new design.

FIG. 2 is a front view thereof.

FIG. 3 is a back view thereof.

FIG. 4 is right side view thereof.

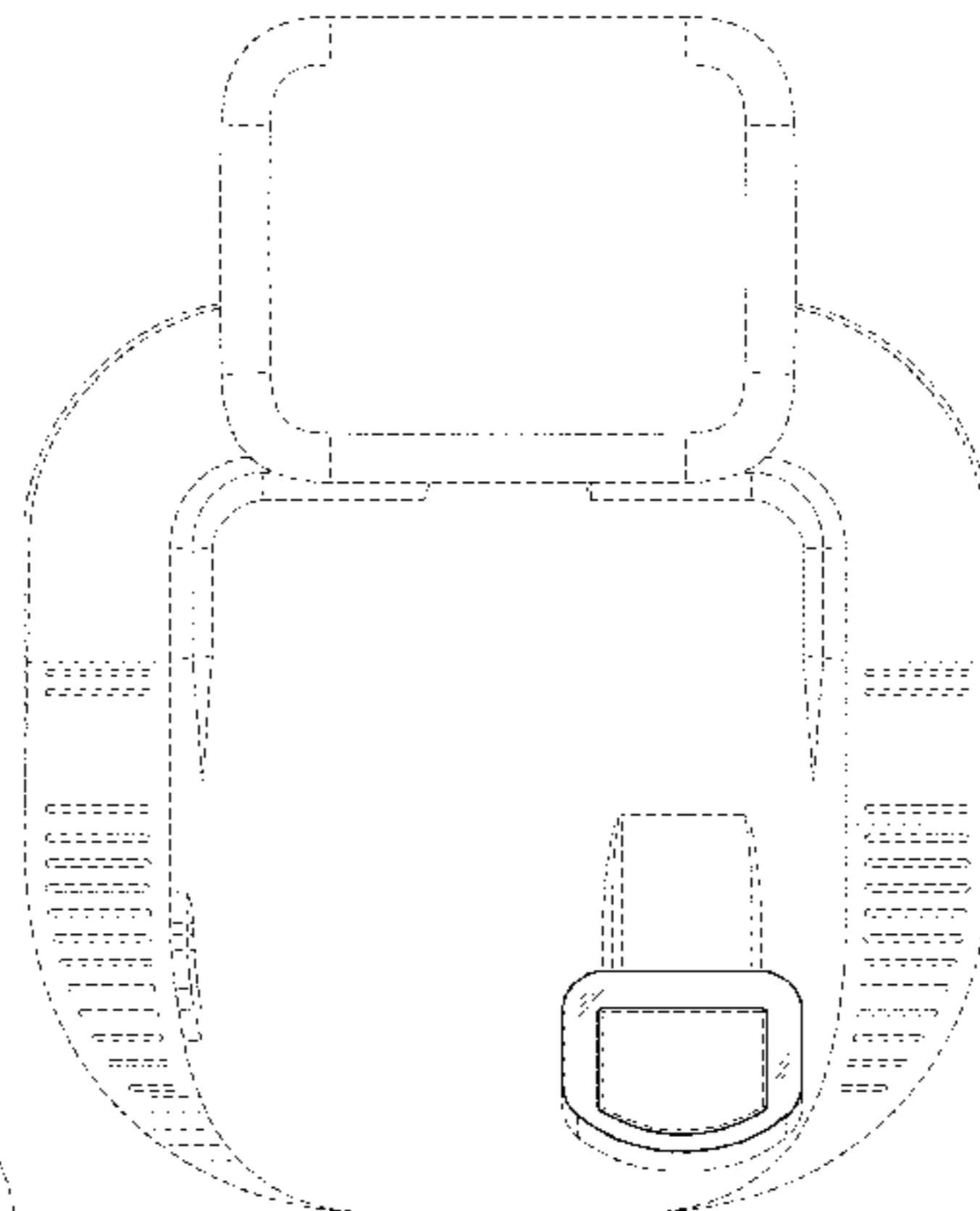
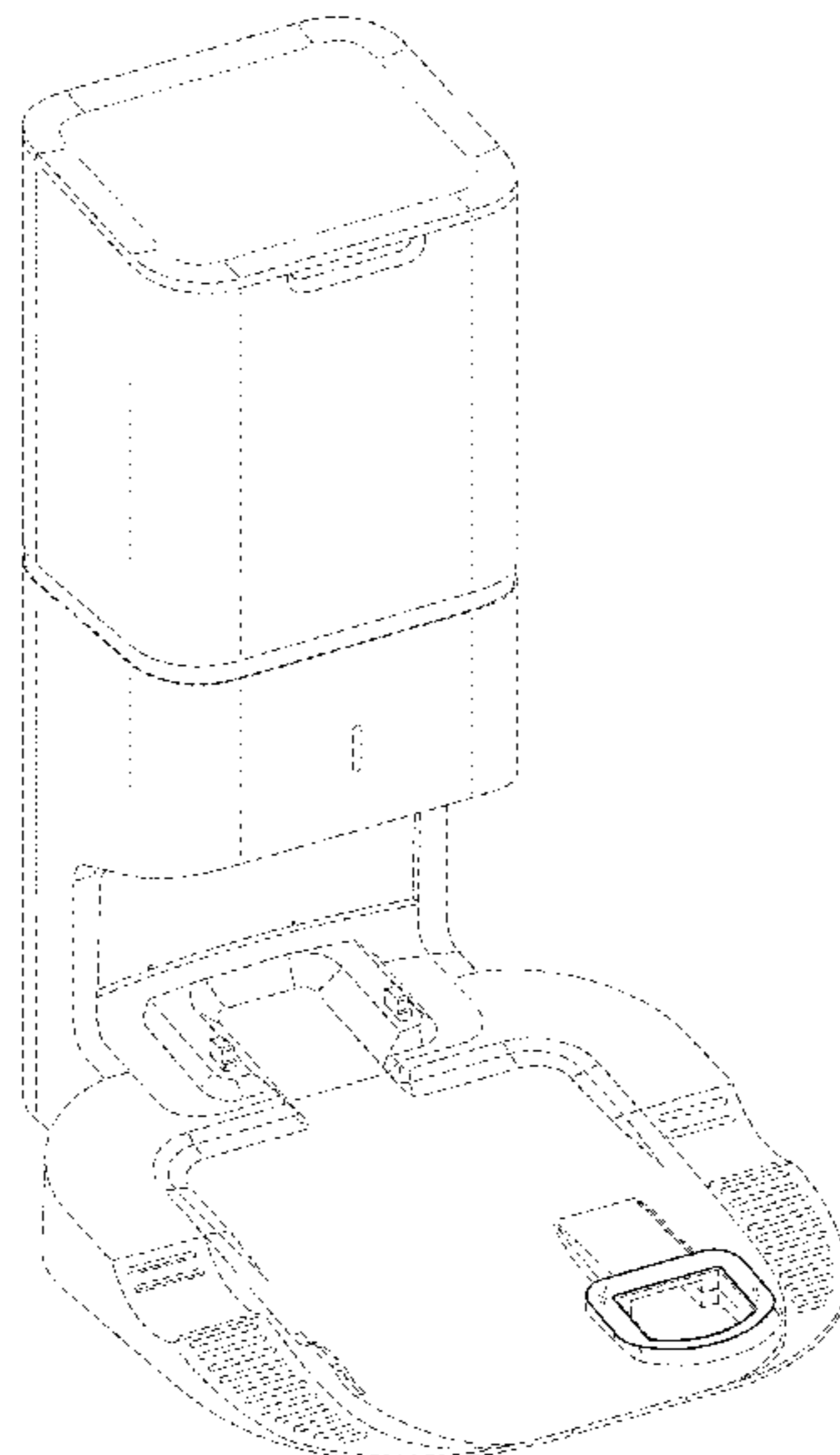
FIG. 5 is left side view thereof.

FIG. 6 is top view thereof; and,

FIG. 7 is bottom view thereof.

The broken lines illustrate environmental features that form no part of the claimed design.

**1 Claim, 7 Drawing Sheets**



(56)

**References Cited**

U.S. PATENT DOCUMENTS

2008/0065266	A1 *	3/2008	Kim .....	G05D 1/0225 700/245
2008/0201895	A1	8/2008	Kim et al.	
2008/0235897	A1	10/2008	Kim et al.	
2009/0049640	A1	2/2009	Lee et al.	
2010/0170057	A1 *	7/2010	Lee .....	A47L 9/2857 15/319
2012/0011677	A1	1/2012	Jung et al.	
2013/0298350	A1	11/2013	Schnittman et al.	
2015/0115876	A1 *	4/2015	Noh .....	G05D 1/0234 320/107
2016/0166126	A1	6/2016	Morin et al.	
2016/0183752	A1	6/2016	Morin et al.	
2019/0298135	A1 *	10/2019	Hwang .....	A47L 5/28
2020/0223056	A1 *	7/2020	Jung .....	B25J 9/0003

OTHER PUBLICATIONS

Architectural Window Shapes (on-line), dated Jul. 25, 2010. Retrieved

from Internet Aug. 27, 2020, URL: <https://web.archive.org/web/20100725095144/http://www.windowcraftersinc.com/windowshapes.html> (1 page) (Year: 2010).\*

Geometric Windows—Viwinco (on-line), dated Apr. 25, 2015. Retrieved from Internet Aug. 27, 2020, URL: <https://web.archive.org/web/20150425050544/https://www.viwinco.com/styles/geometrics> (2 pages) (Year: 2015).\*

iRobot's self-emptying Roomba i7 (on-line), dated Sep. 6, 2018. Retrieved from Internet Aug. 27, 2020, URL: <https://www.slashgear.com/irobots-self-emptying-roomba-i7-fixes-robot-vacuums-big-headache-06544635/> (3 pages) (Year: 2018).\*

[No Author Listed] "Bosch Part#462544—Genuine Type G Mega filt SuperTex Vacuum Bag (BBZ51AFG2U)—Fits Bosch Compact Series and Formula Series Vacuums—5/Package," Dec. 29, 2011, retrieved on May 10, 2018, retrieved from URL <<https://www.amazon.com/Bosch-Part-462544-MEGAfilt-BBZ51AFG2U/dp/B000UM2ENE/>>, 8 pages.

[No Author Listed] "Staubaugerbeutel Von Kobold," retrieved on May 10, 2018, retrieved from URL <<https://kobold.vorwerk.de/staubaugerbeutel/>>, 49 pages (English Translation).

\* cited by examiner

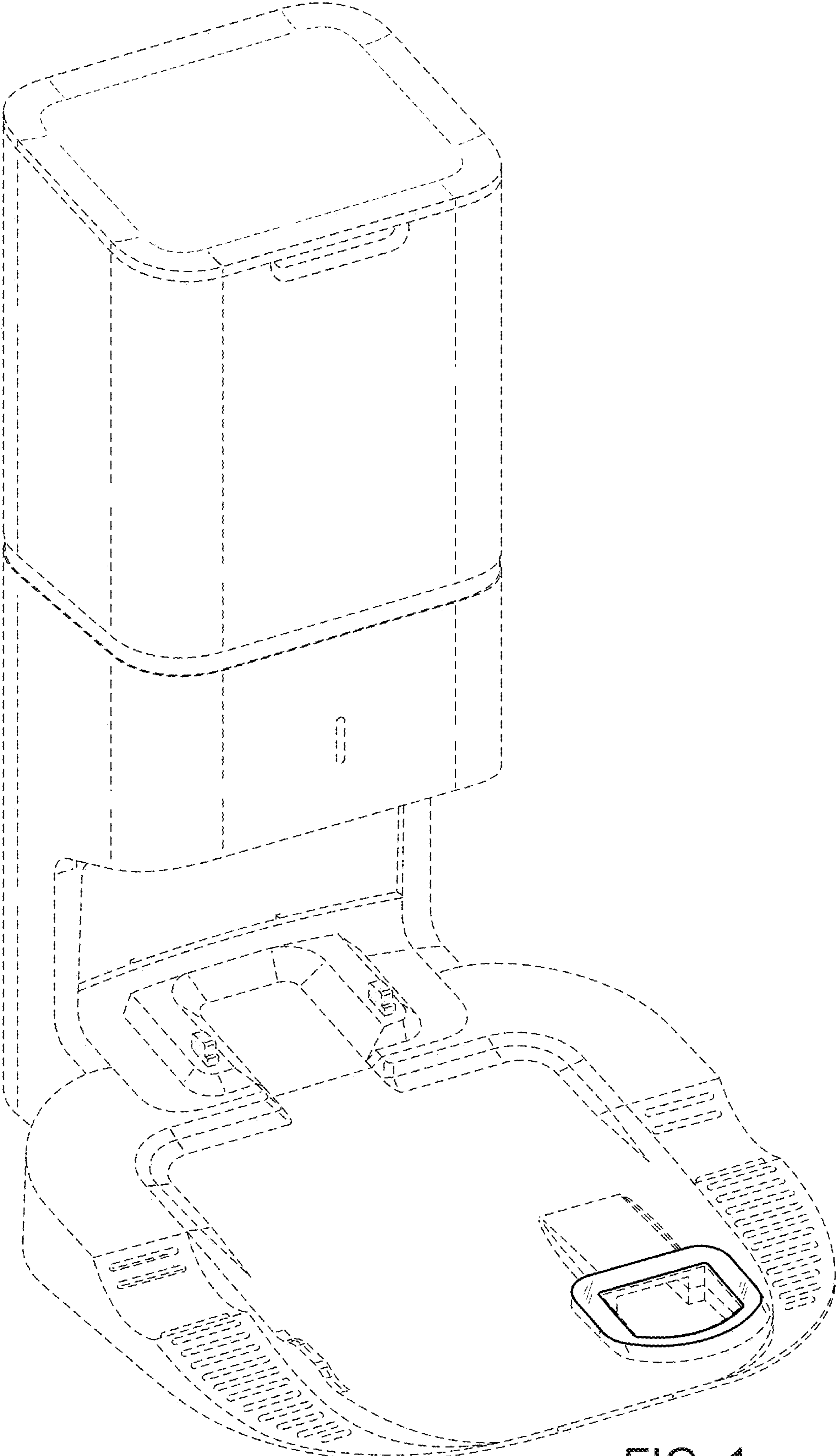


FIG. 1

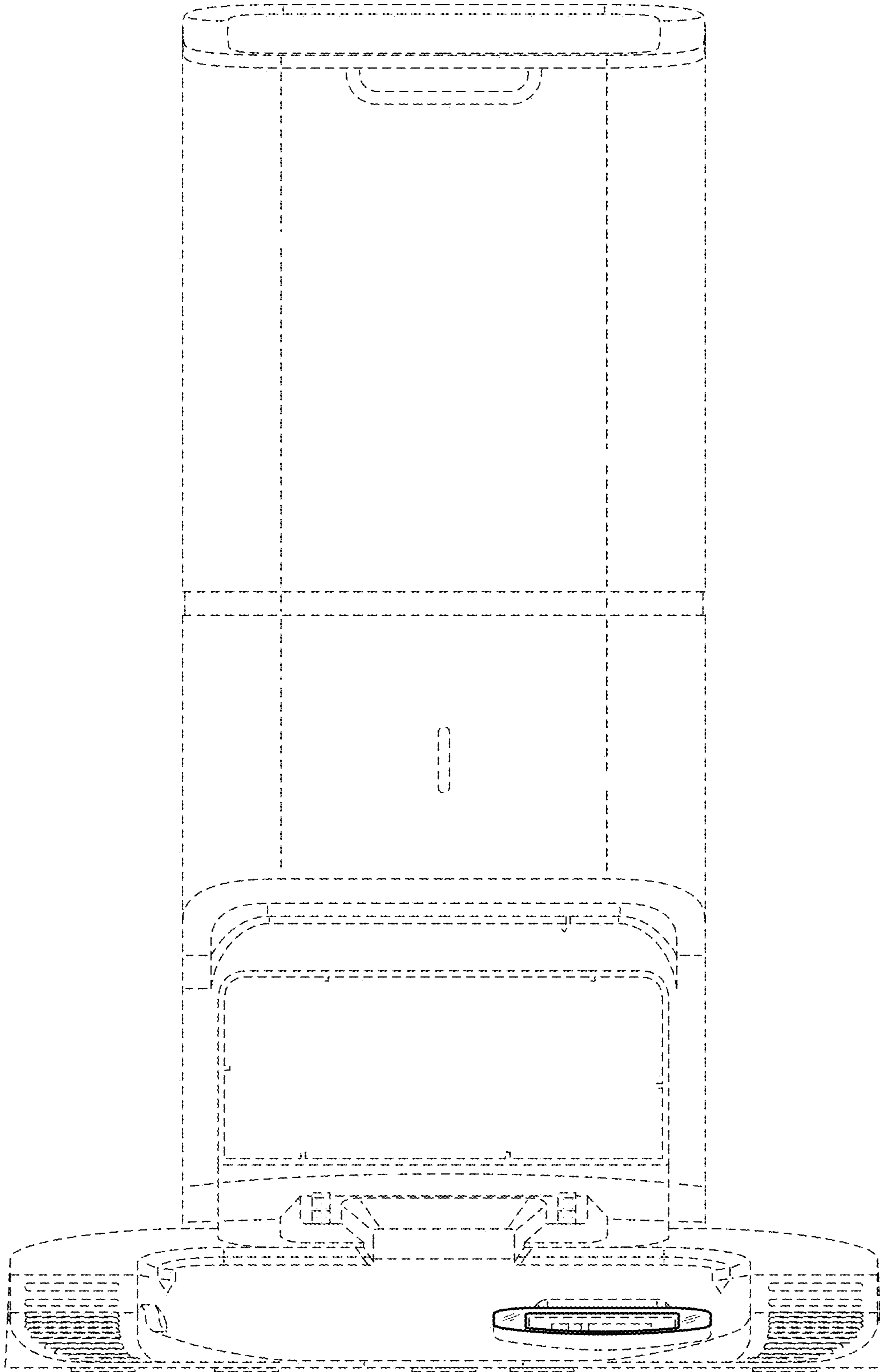


FIG. 2

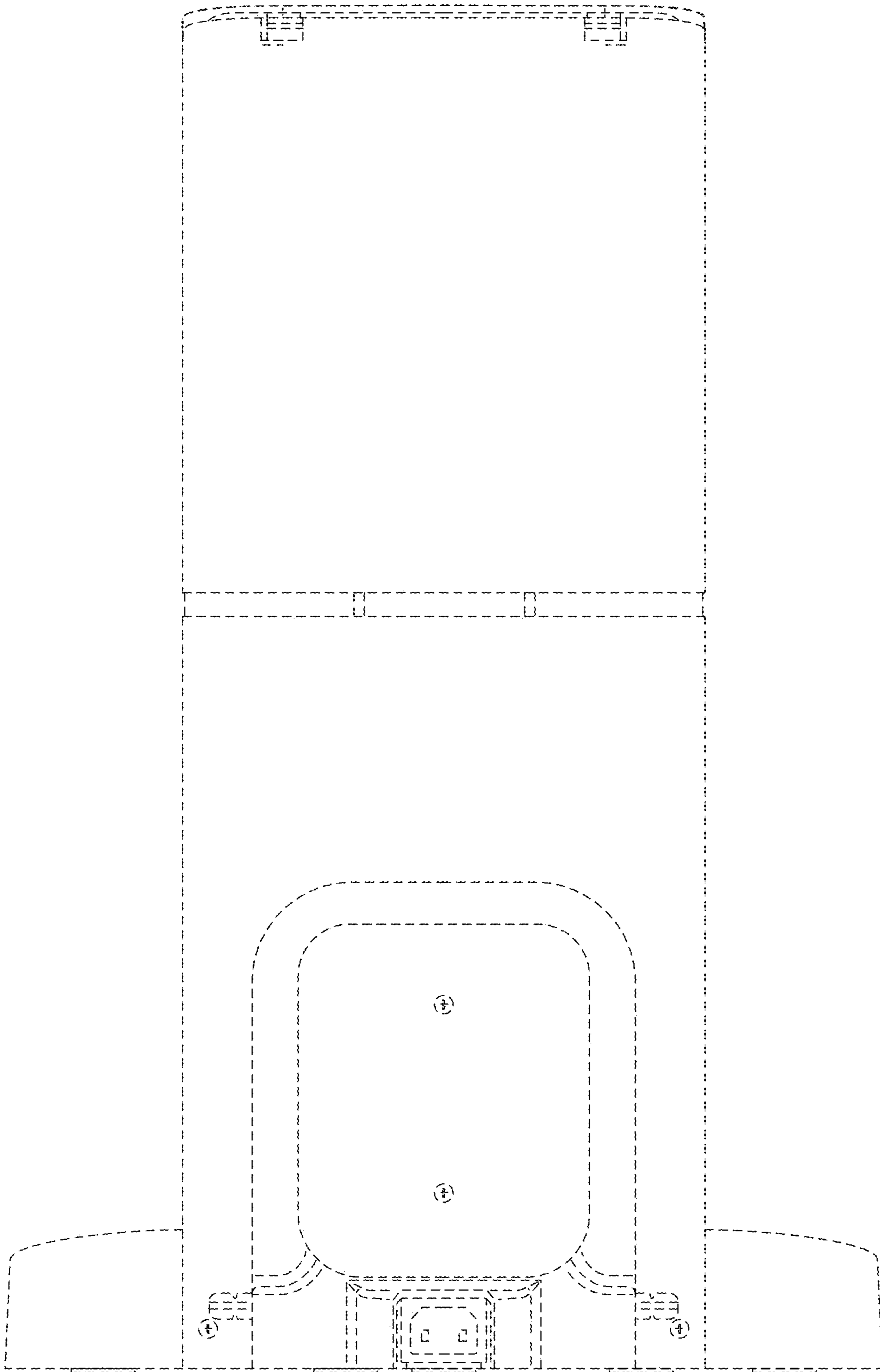


FIG. 3



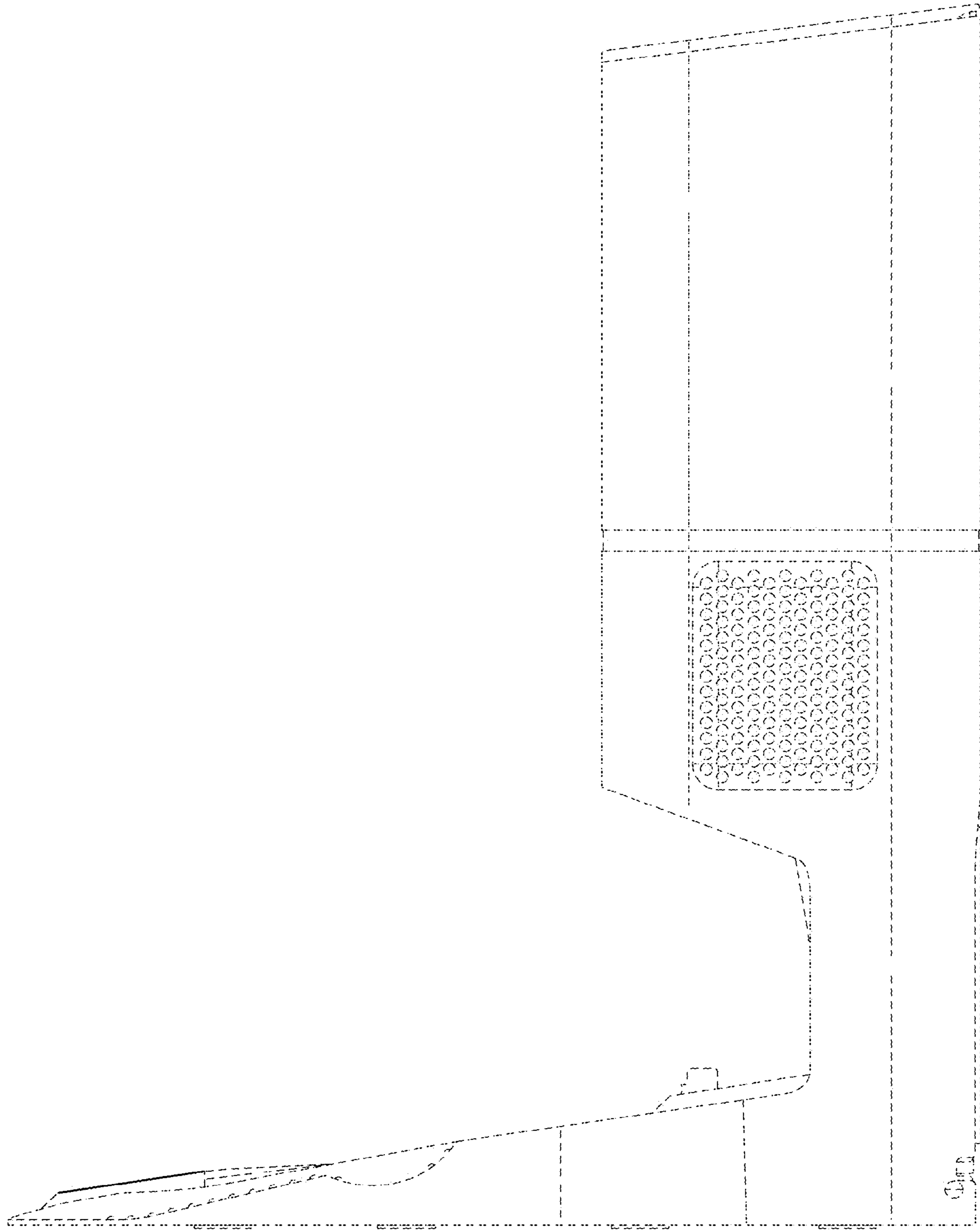


FIG. 4

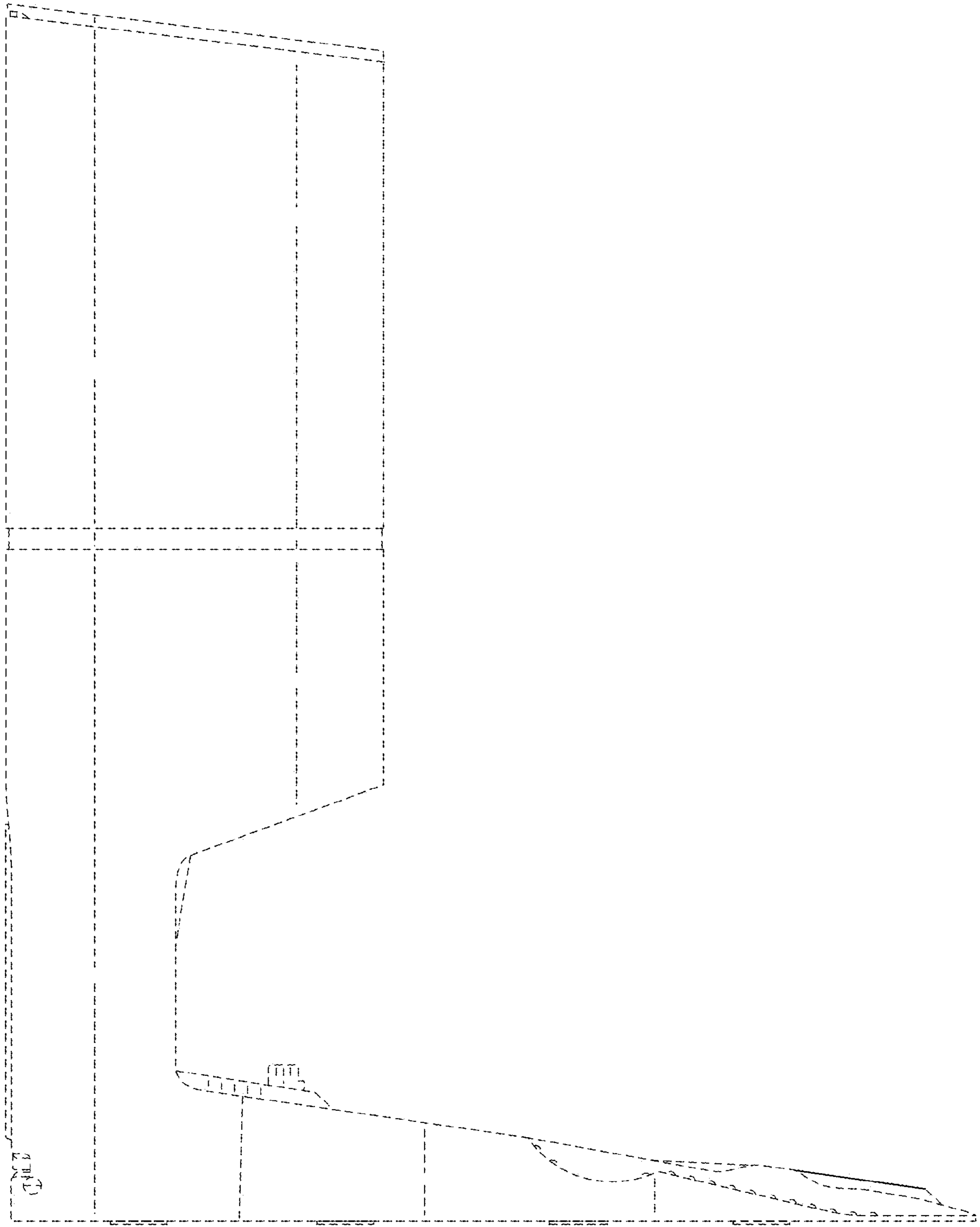


FIG. 5

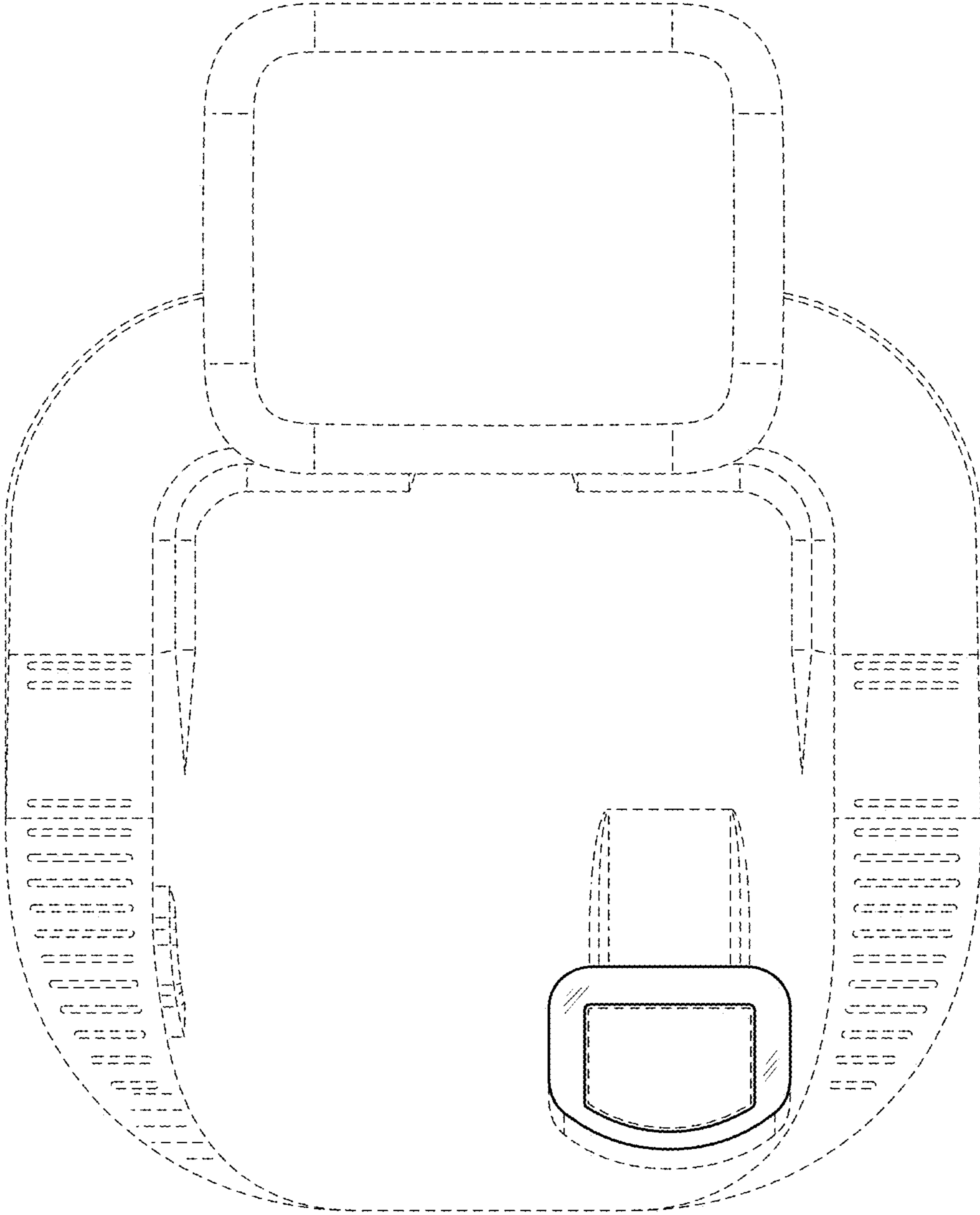


FIG. 6



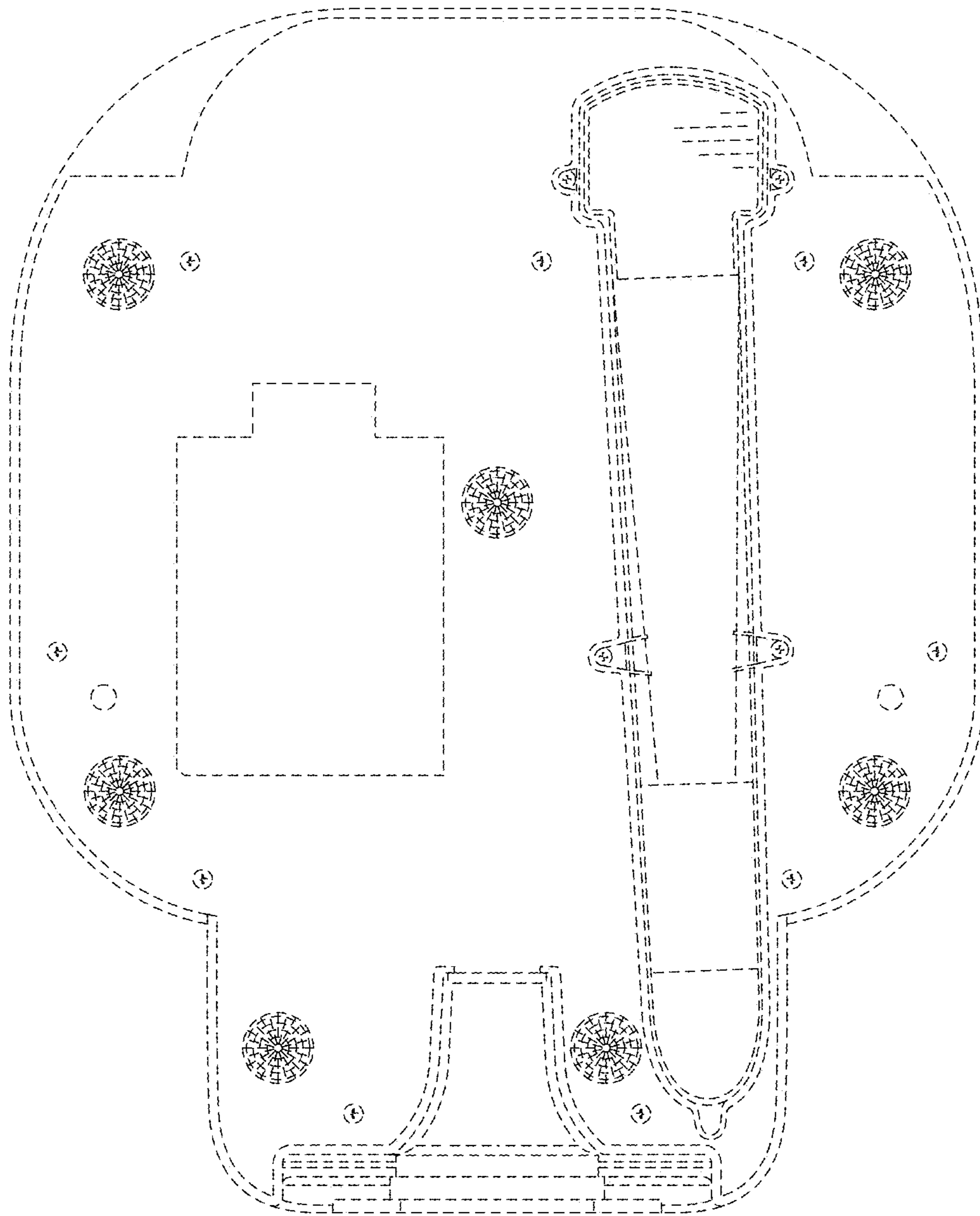


FIG. 7