



US00D908989S

(12) **United States Design Patent** (10) **Patent No.:** **US D908,989 S**
Barber et al. (45) **Date of Patent:** **** Jan. 26, 2021**

(54) **POWER-OPERATED AIR BLOWER**

(71) Applicant: **Zippo Manufacturing Company**,
Bradford, PA (US)

(72) Inventors: **Brian J. Barber**, Cyclone, PA (US);
Shaun M. Panek, Bradford, PA (US);
Howard Tripp, Plymouth, MN (US);
James A. Hofman, Eden Prairie, MN
(US)

(73) Assignee: **ZIPPO MANUFACTURING
COMPANY**, Bradford, PA (US)

(**) Term: **15 Years**

(21) Appl. No.: **29/646,240**

(22) Filed: **May 2, 2018**

(51) **LOC (13) Cl.** **07-99**

(52) **U.S. Cl.**
USPC **D32/15; D7/416; D7/213**

(58) **Field of Classification Search**
USPC **D32/15-19; D8/70; 126/25 B; D28/7;**
D7/213

CPC **E04D 13/0765; A01G 20/47; A47L 11/30;**
A47L 11/4066; A47L 11/4002; A47L
11/4011

See application file for complete search history.

(56) **References Cited**

U.S. PATENT DOCUMENTS

- 2,192,732 A * 3/1940 Johnson F23Q 7/04
219/261
- 3,086,698 A * 4/1963 Goldstein F04D 25/084
D7/416
- 4,734,017 A * 3/1988 Levin A47L 5/24
417/366
- D297,274 S * 8/1988 Komiya D32/15
- D301,783 S * 6/1989 Adams D32/18
- D316,651 S * 5/1991 Williams D7/416
- D398,074 S * 9/1998 Nosenchuck D32/15

- D420,549 S * 2/2000 Leighton D7/416
- D435,626 S * 12/2000 Benini D22/100
- D471,680 S * 3/2003 Tokumaru D32/15
- D480,844 S * 10/2003 Noma D32/15
- D550,410 S * 9/2007 Khalil D32/18
- D569,055 S * 5/2008 Bochmann D32/15
- D622,457 S * 8/2010 Choi D32/17
- D698,106 S * 1/2014 Crawley D32/15
- D719,307 S * 12/2014 Carl D15/12
- D733,686 S 7/2015 Harris

(Continued)

FOREIGN PATENT DOCUMENTS

EM 2750422-0002 * 10/2017

OTHER PUBLICATIONS

Amazon.com : Zippo FireFast Bellows, https://www.amazon.com/Zippo-40488-FireFast-Bellows/dp/B07H3P6RT2/ref=cm_cr_ar...
site visited Nov. 24, 2019 (Year: 2018).*

(Continued)

Primary Examiner — John R Yeh

(74) *Attorney, Agent, or Firm* — Hodgson Russ LLP

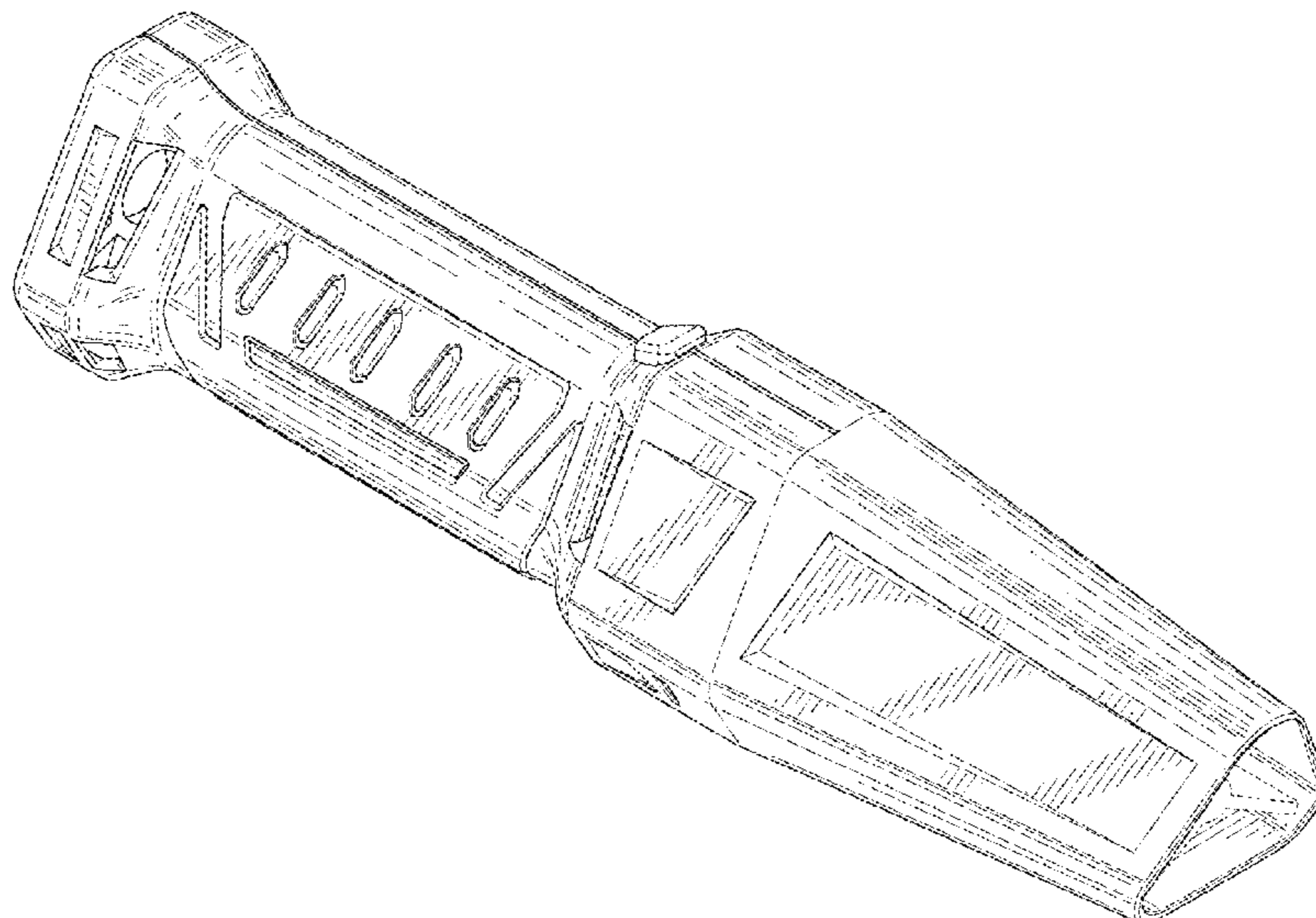
(57) **CLAIM**

The ornamental design for a power-operated air blower, as shown and described.

DESCRIPTION

FIG. 1 is a perspective view of a power-operated air blower showing our new design;
FIG. 2 is a front elevation view thereof;
FIG. 3 is a rear elevation view thereof;
FIG. 4 is a right side elevation view thereof;
FIG. 5 is a left side elevation view thereof;
FIG. 6 is a top plan view thereof; and,
FIG. 7 is a bottom plan view thereof.
The broken lines illustrate portions of the power-operated air blower that form no part of the claimed design.

1 Claim, 4 Drawing Sheets



(56)

References Cited

U.S. PATENT DOCUMENTS

D735,546	S *	8/2015	Bermudez	D8/70
D735,960	S *	8/2015	Zhang	D32/15
D748,877	S *	2/2016	Tirone	D15/12
D798,513	S *	9/2017	Tinius	D32/15
D807,598	S *	1/2018	Houghton	D32/18
D809,227	S *	1/2018	Tinius	D32/15
D836,861	S *	12/2018	Tse	D32/15
D854,265	S *	7/2019	Wachter	D32/15
D867,694	S *	11/2019	Ma	D32/18
2013/0052045	A1	2/2013	Harris	
2015/0107050	A1 *	4/2015	Reynolds	A01G 20/47 15/414
2017/0296022	A1 *	10/2017	Carl	A47L 5/24
2018/0228326	A1 *	8/2018	Crichton	A47L 5/14
2019/0053441	A1 *	2/2019	Harvey	A01G 20/47
2019/0353171	A1 *	11/2019	Hoffman	F04D 19/002

OTHER PUBLICATIONS

Amazon.com: Sunflow Outdoor Cooking BBQ Fan Air Blower, reviews 2020, <https://www.amazon.com/Sunflow-Blower%EF%BC%8CHand-Blowers%EF%BC%8C-B> . . . site visited Sep. 17, 2020.*

* cited by examiner

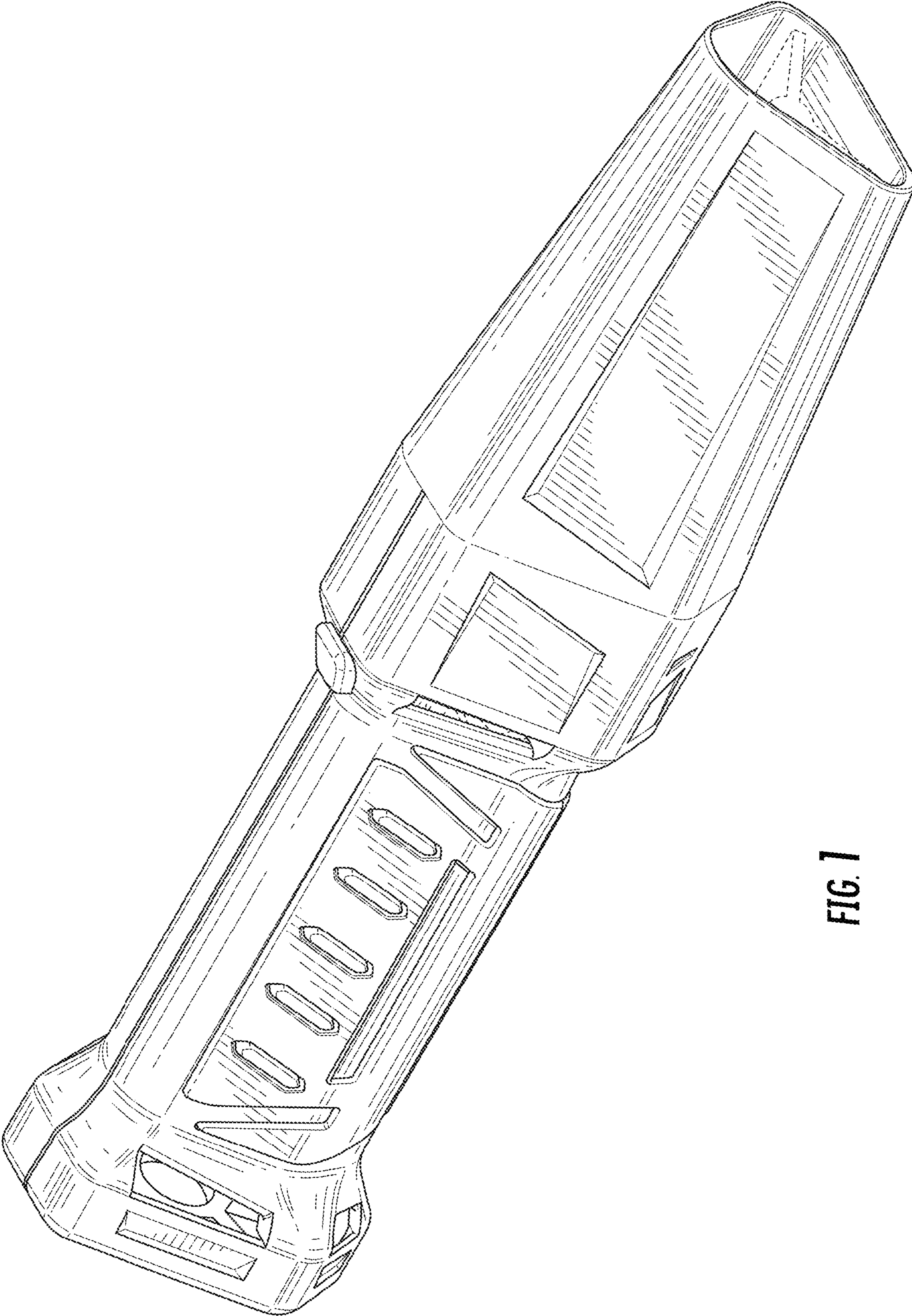


FIG. 1

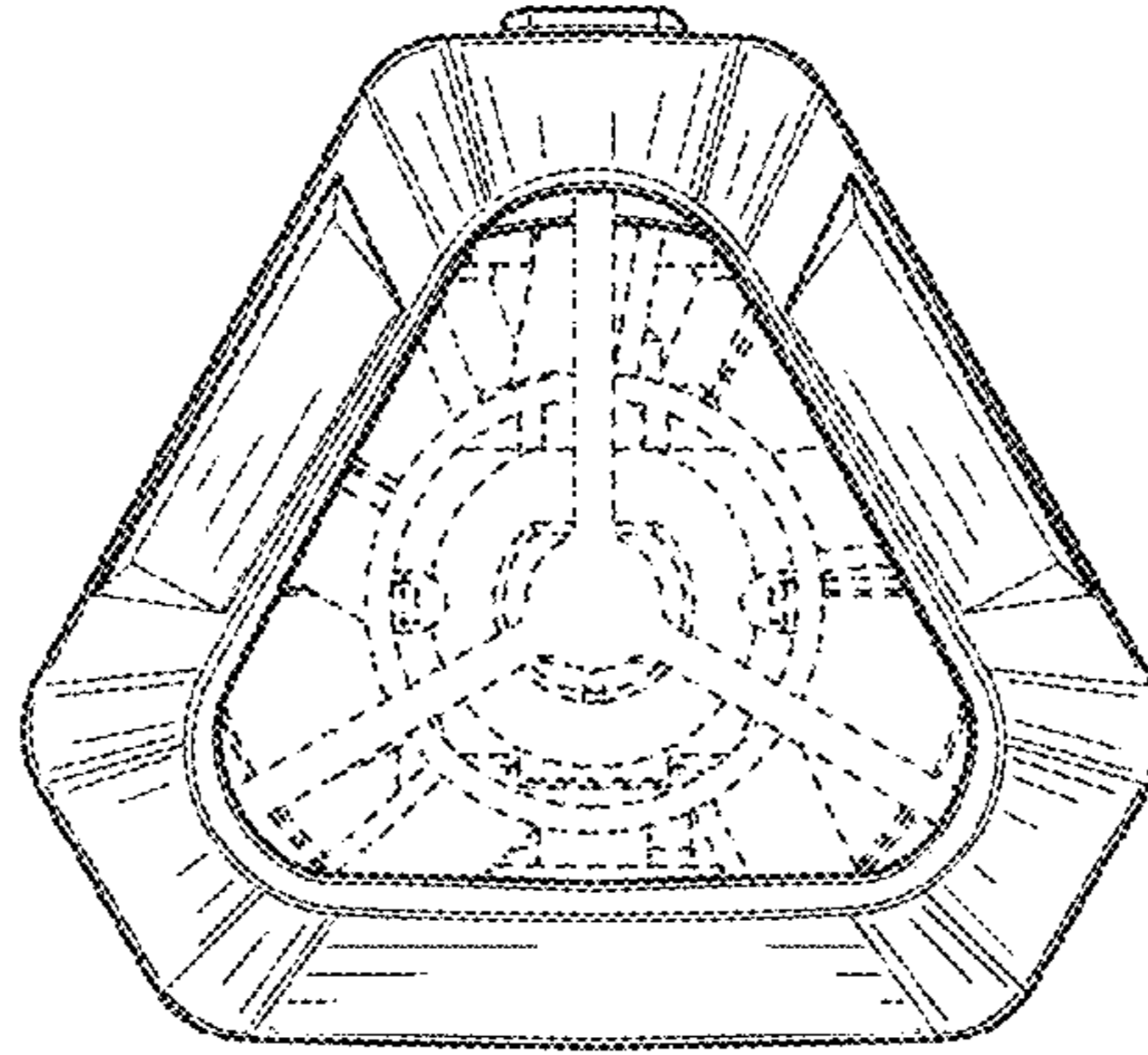


FIG. 2

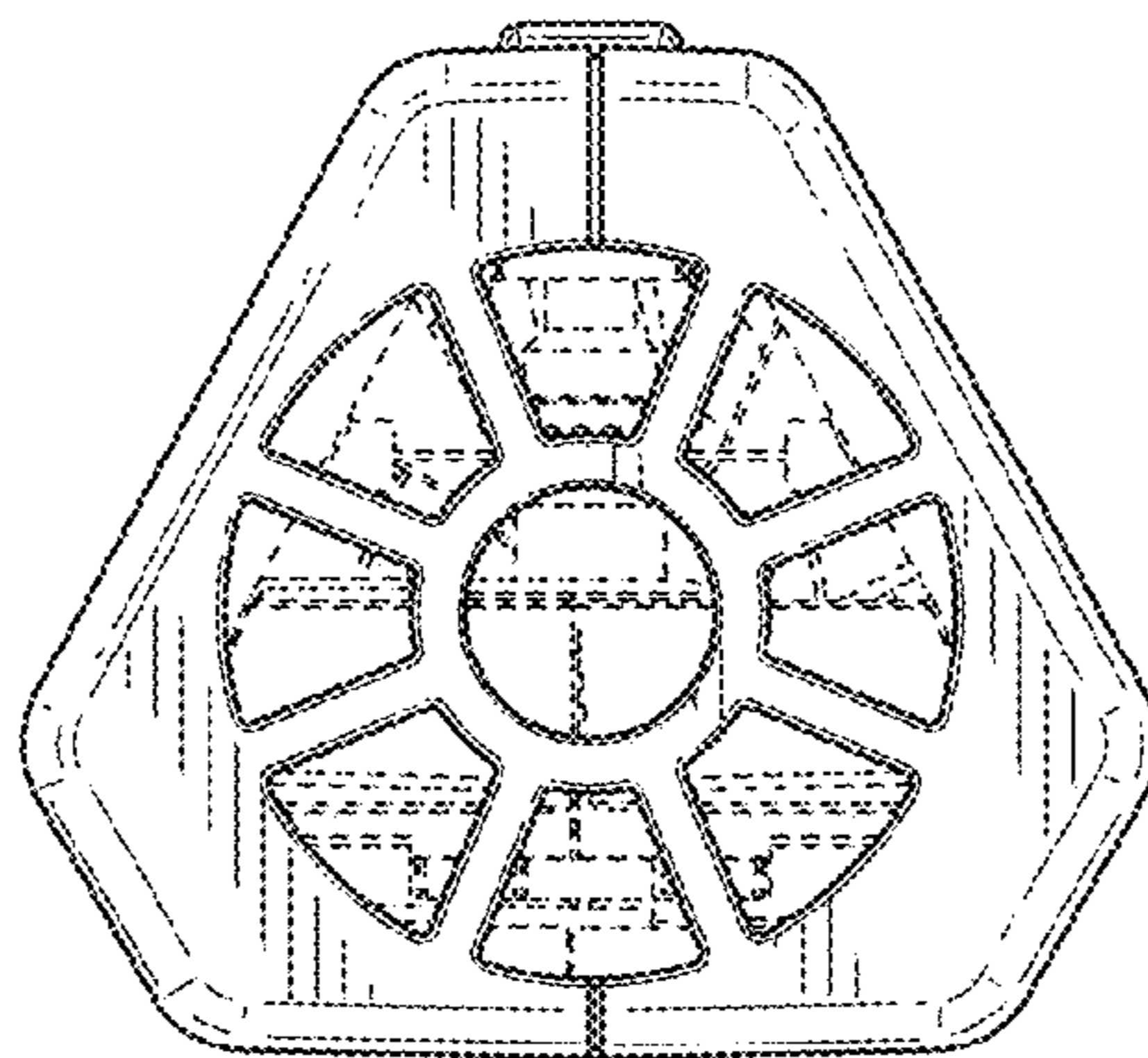


FIG. 3

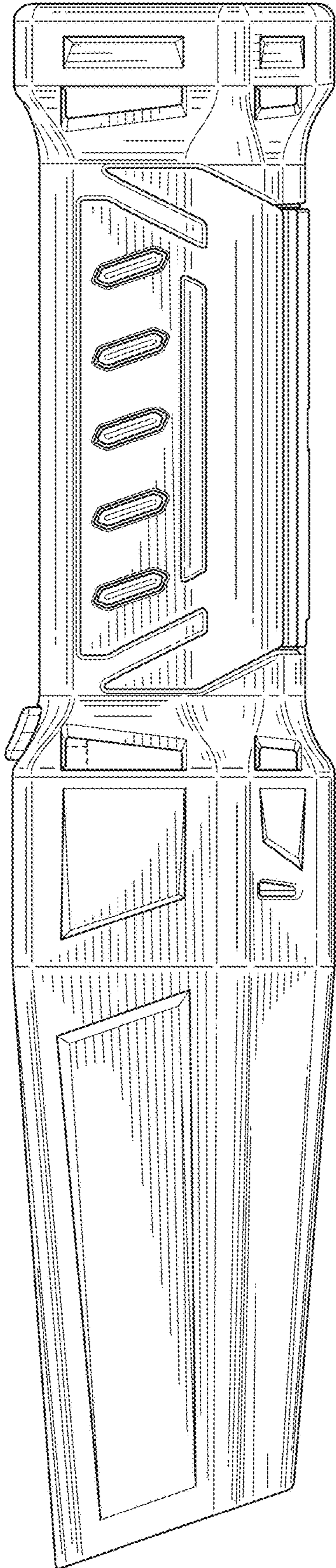


FIG. 4

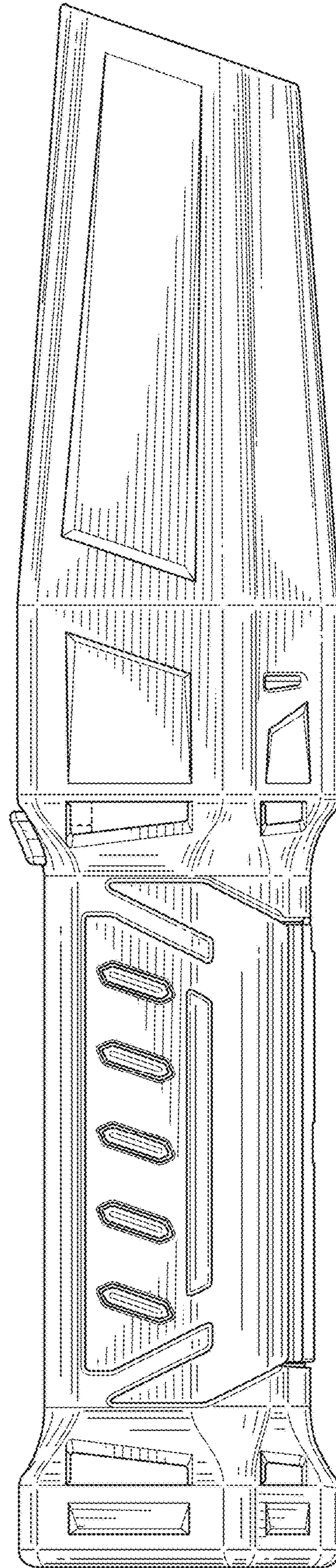


FIG. 5

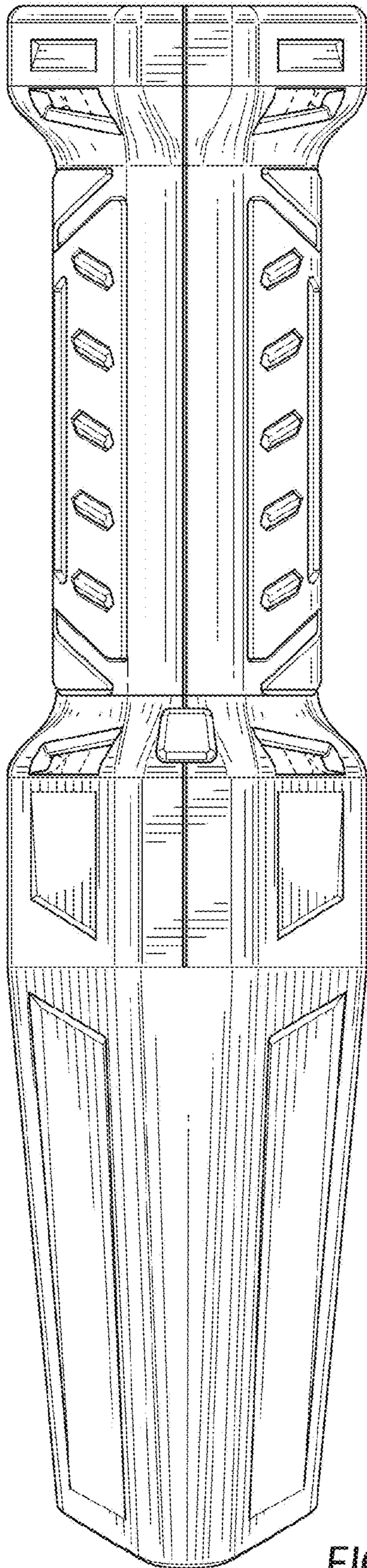


FIG. 6

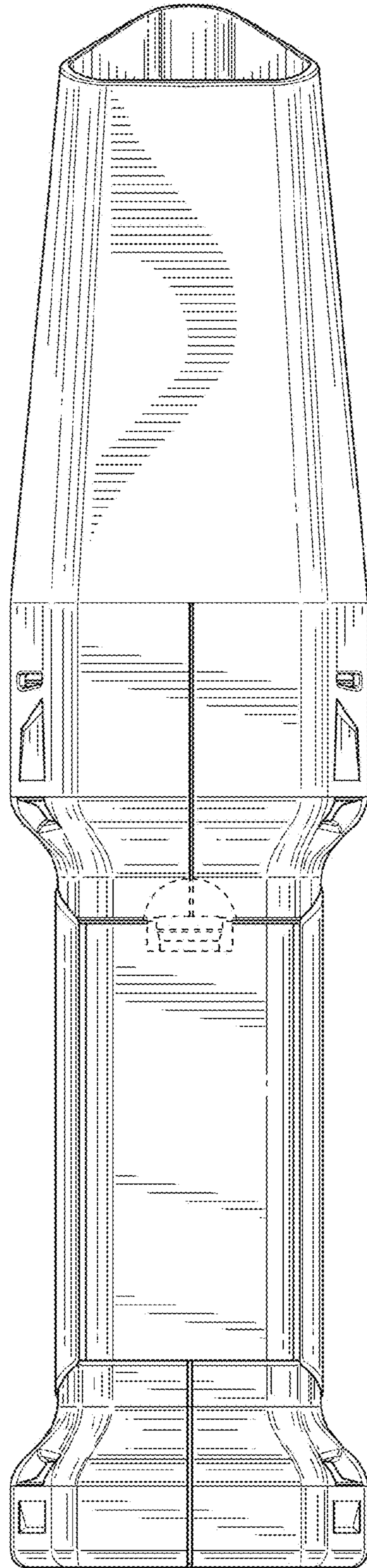


FIG. 7