



US00D908984S

(12) **United States Design Patent** (10) **Patent No.:** **US D908,984 S**  
**Roost et al.** (45) **Date of Patent:** **\*\* \*Jan. 26, 2021**

(54) **CAT CLIMBER** 2003/0221628 A1\* 12/2003 Leon ..... A01K 15/024  
119/28.5  
(71) Applicant: **Pet Fusion, LLC**, Fanwood, NJ (US) 2005/0284407 A1\* 12/2005 DeRaspe-Bolles .....  
A01K 15/024  
119/706  
(72) Inventors: **Andrew Roost**, Fanwood, NJ (US);  
**Theodore Elliott**, Bentleyville, OH  
(US); **Pablo Ignacio Parra Henríquez**,  
Madrid (ES) 2008/0149042 A1\* 6/2008 Halpern ..... A01K 15/024  
119/706  
2009/0050072 A1\* 2/2009 Moser ..... A01K 15/024  
119/706

(73) Assignee: **PET FUSION, LLC**, Fanwood, NJ  
(US)

(\*) Notice: This patent is subject to a terminal disclaimer.

(\*\*) Term: **15 Years**

(21) Appl. No.: **29/671,015**

(22) Filed: **Nov. 21, 2018**

(51) **LOC (13) Cl.** ..... **30-99**

(52) **U.S. Cl.**  
USPC ..... **D30/160**

(58) **Field of Classification Search**  
USPC ..... D30/160; D6/681.3, 675.1, 349;  
D11/118, 125; 119/28.5, 29, 83, 702,  
119/706-711; 15/160, 206  
CPC ..... A01K 15/024; A01K 15/025  
See application file for complete search history.

(56) **References Cited**

**U.S. PATENT DOCUMENTS**

D109,389 S *	4/1938	Beyrle	.....	D6/681.3
2,143,592 A *	1/1939	Baldeck	.....	A47F 5/04
				211/134
D233,844 S *	12/1974	Tucker	.....	D30/160
D245,131 S *	7/1977	Johnsson	.....	D6/681.2
D394,362 S *	5/1998	Eskdale	.....	D6/677.1
D478,745 S *	8/2003	Sparkowski	.....	D6/675.3
D635,307 S *	3/2011	Harmon	.....	D30/160
D700,754 S *	3/2014	Mulligan	.....	D30/160
D776,884 S *	1/2017	Kellogg	.....	D30/160
D846,818 S *	4/2019	He	.....	D30/160

**OTHER PUBLICATIONS**

“PetFusion Ulitmate Cat Climber”, posted Dec. 12, 2018 [Online],  
[Retrieved Nov. 26, 2019], from internet: <https://www.youtube.com/watch?v=MlhbBbgkrm4>.  
“PetFusion Ulitmate Cat Climber”, posted Oct. 9, 2018 [Online],  
[Retrieved Nov. 26, 2019], from internet: [https://www.amazon.com/PetFusion-Climbing-Tower-Scratching-Mounted/product-reviews/B07H7WGZ6D/ref=cm\\_cr\\_getr\\_d\\_paging\\_btm\\_next\\_9?ie=UTF8&reviewerType=all\\_reviews&sortBy=recent&pageNumber=9](https://www.amazon.com/PetFusion-Climbing-Tower-Scratching-Mounted/product-reviews/B07H7WGZ6D/ref=cm_cr_getr_d_paging_btm_next_9?ie=UTF8&reviewerType=all_reviews&sortBy=recent&pageNumber=9).\*

\* cited by examiner

*Primary Examiner* — Sandra S Snapp  
*Assistant Examiner* — Mehri F Bajoul  
(74) *Attorney, Agent, or Firm* — Myers Wolin, LLC

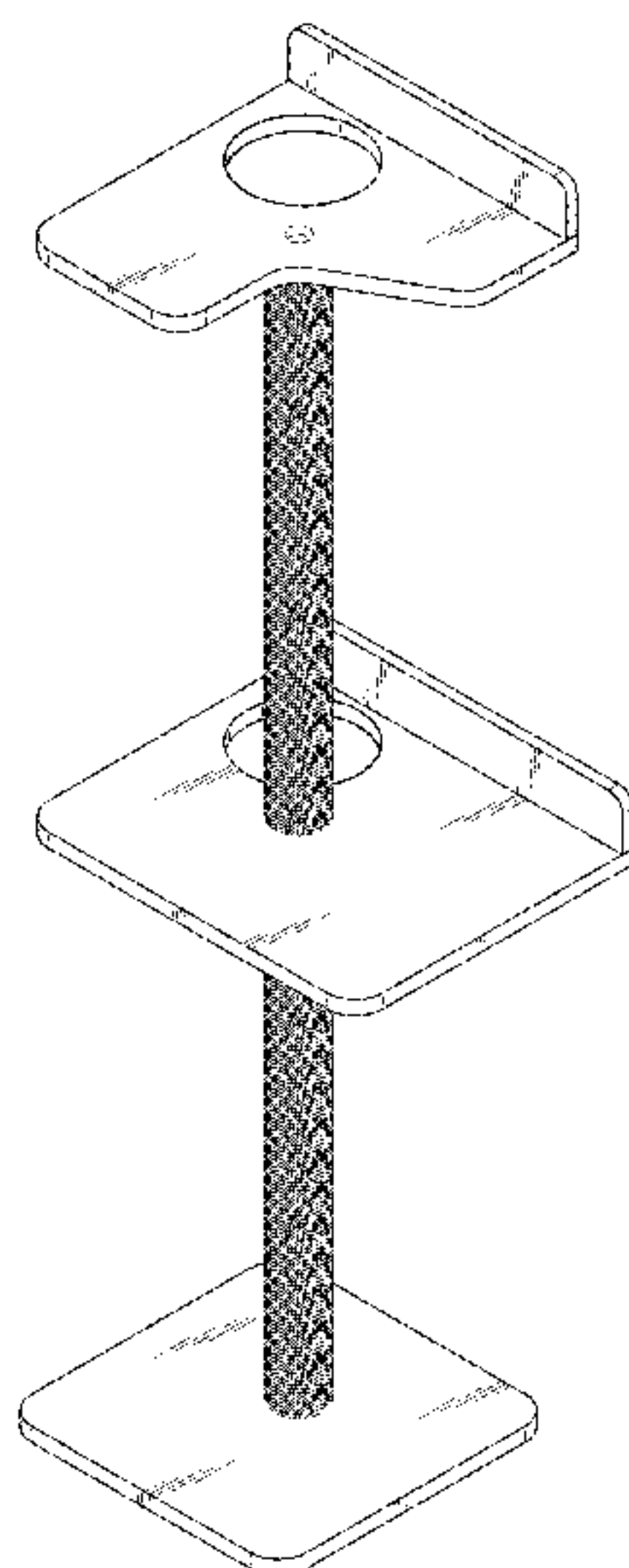
(57) **CLAIM**

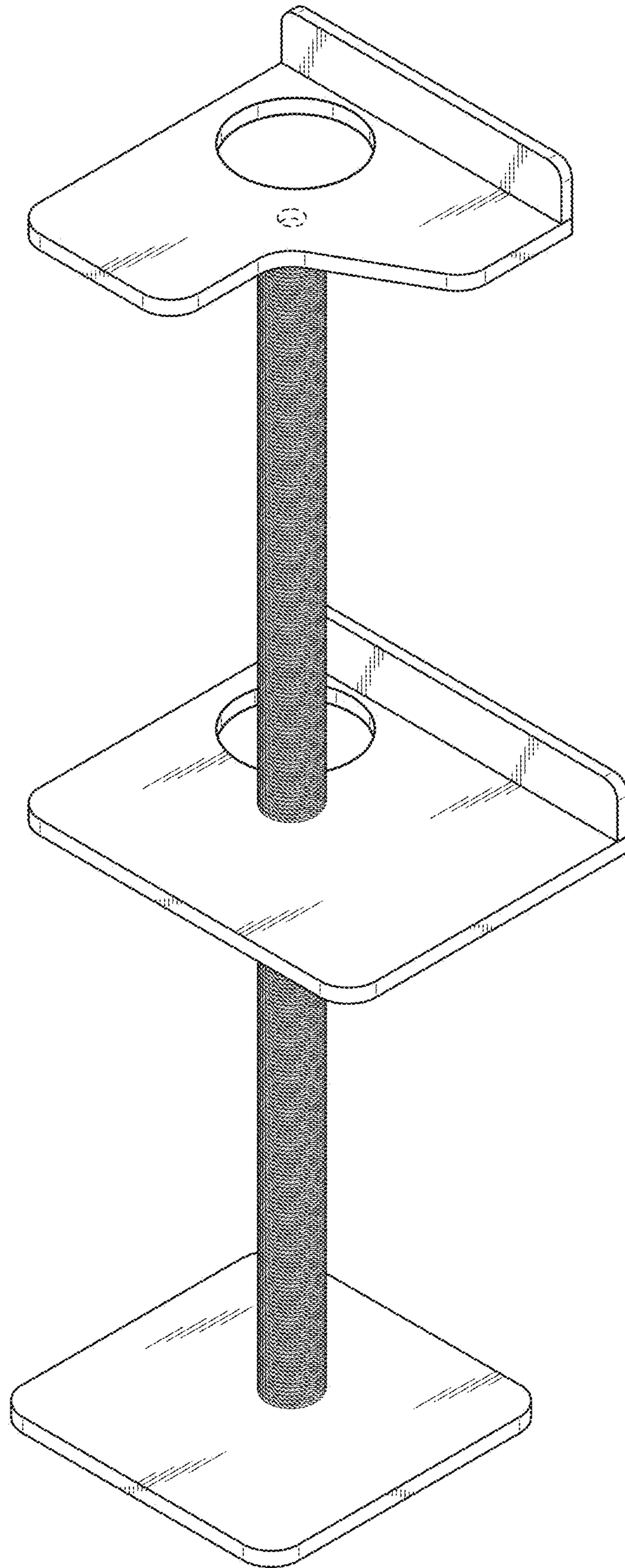
The ornamental design for a cat climber, as shown and described.

**DESCRIPTION**

FIG. 1 is a perspective view of a cat climber showing our new design;  
FIG. 2 is a front elevation view thereof;  
FIG. 3 is a rear elevation view thereof;  
FIG. 4 is a left side elevation view thereof;  
FIG. 5 is a right side elevation view thereof;  
FIG. 6 is a top view thereof; and,  
FIG. 7 is a bottom view thereof.  
The broken lines in the drawings depict portions of the cat climber that forms no part of the claimed design.

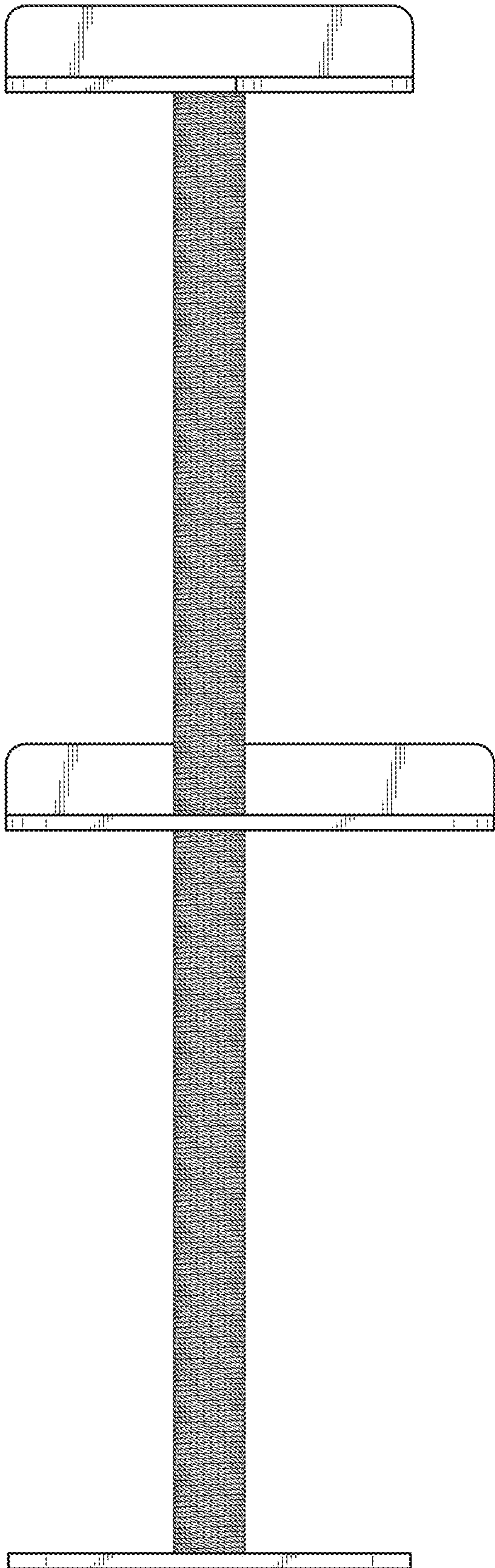
**1 Claim, 4 Drawing Sheets**



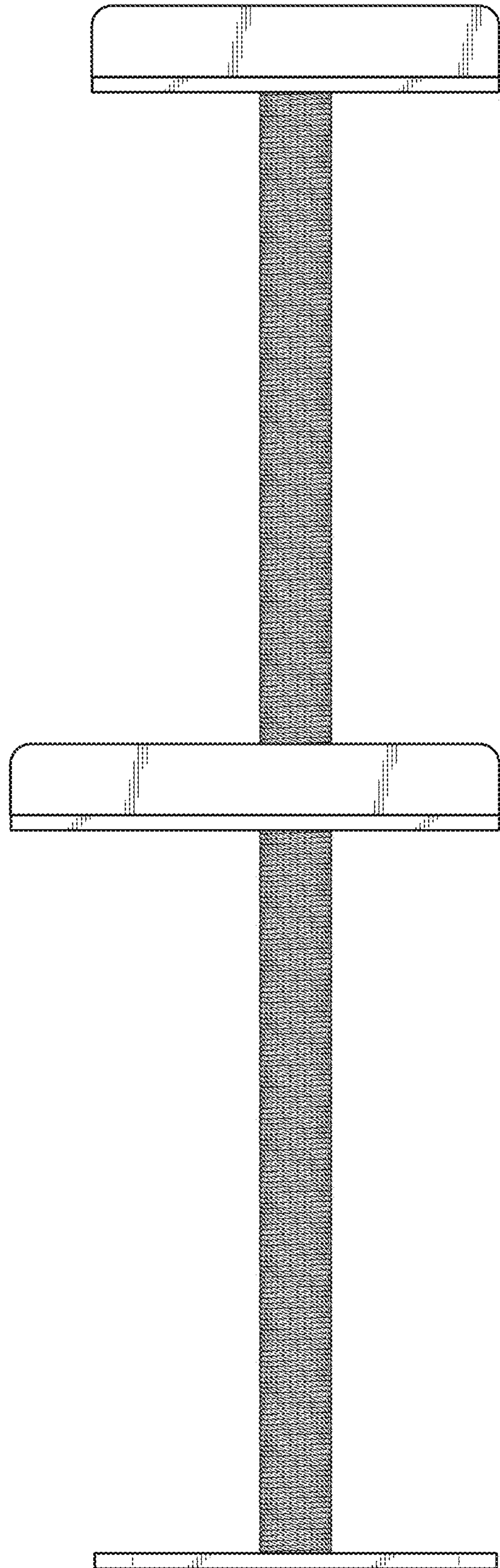


*FIG. 1*



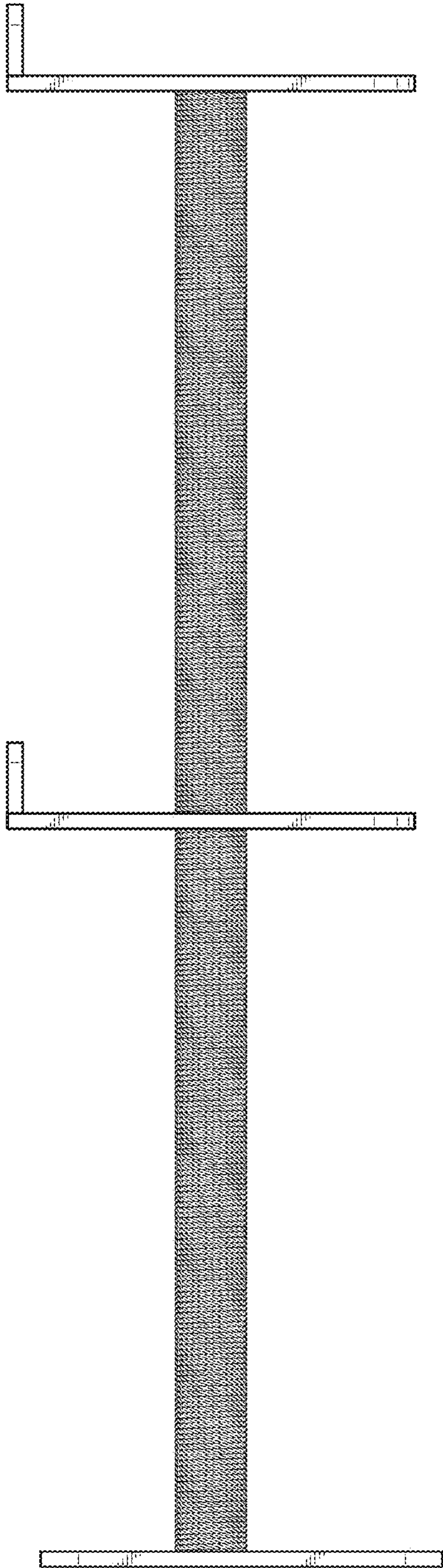


*FIG. 2*

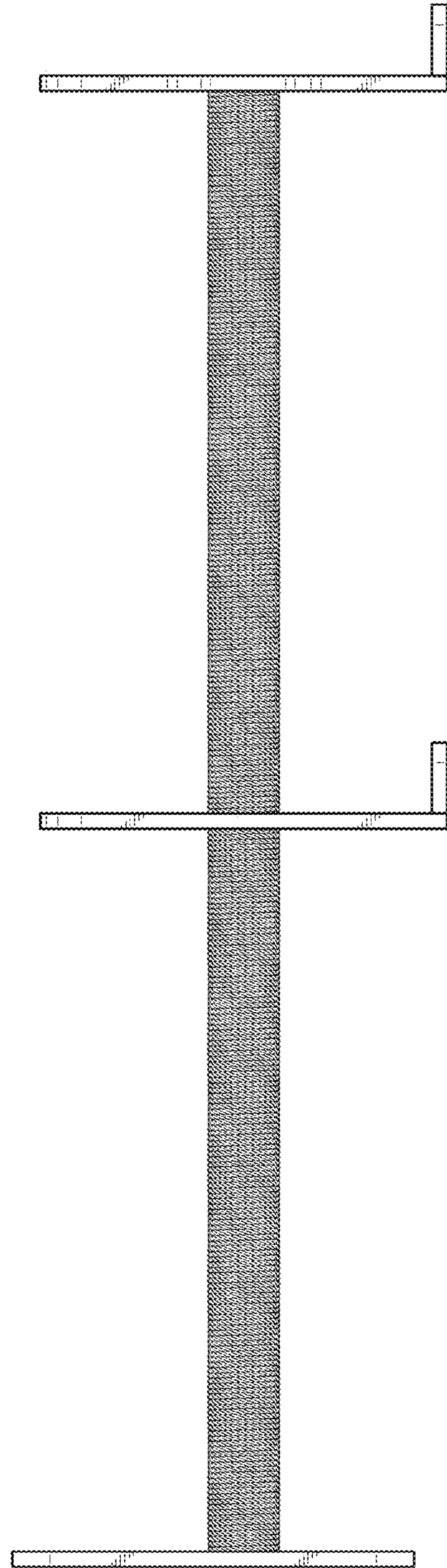


*FIG. 3*

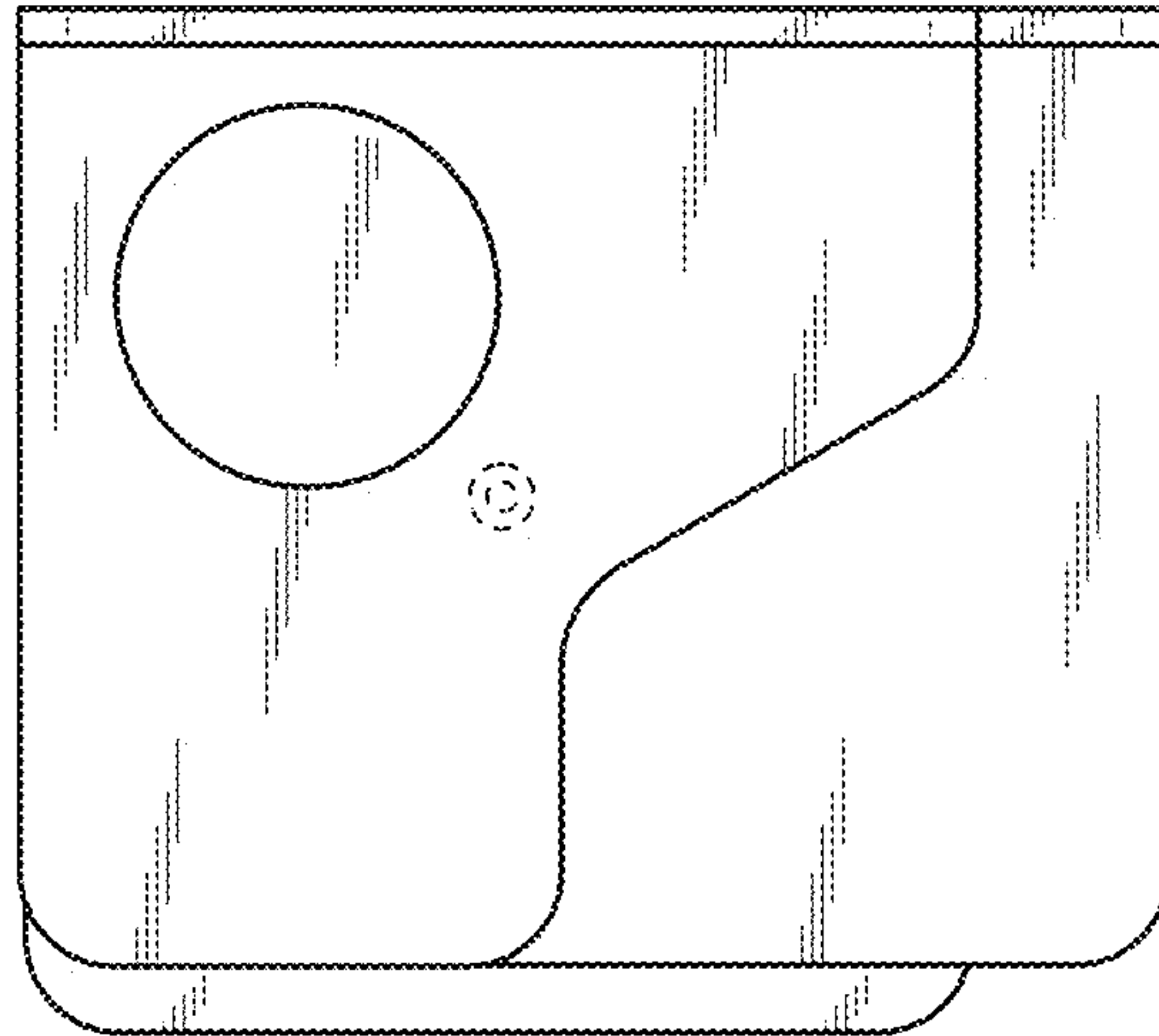




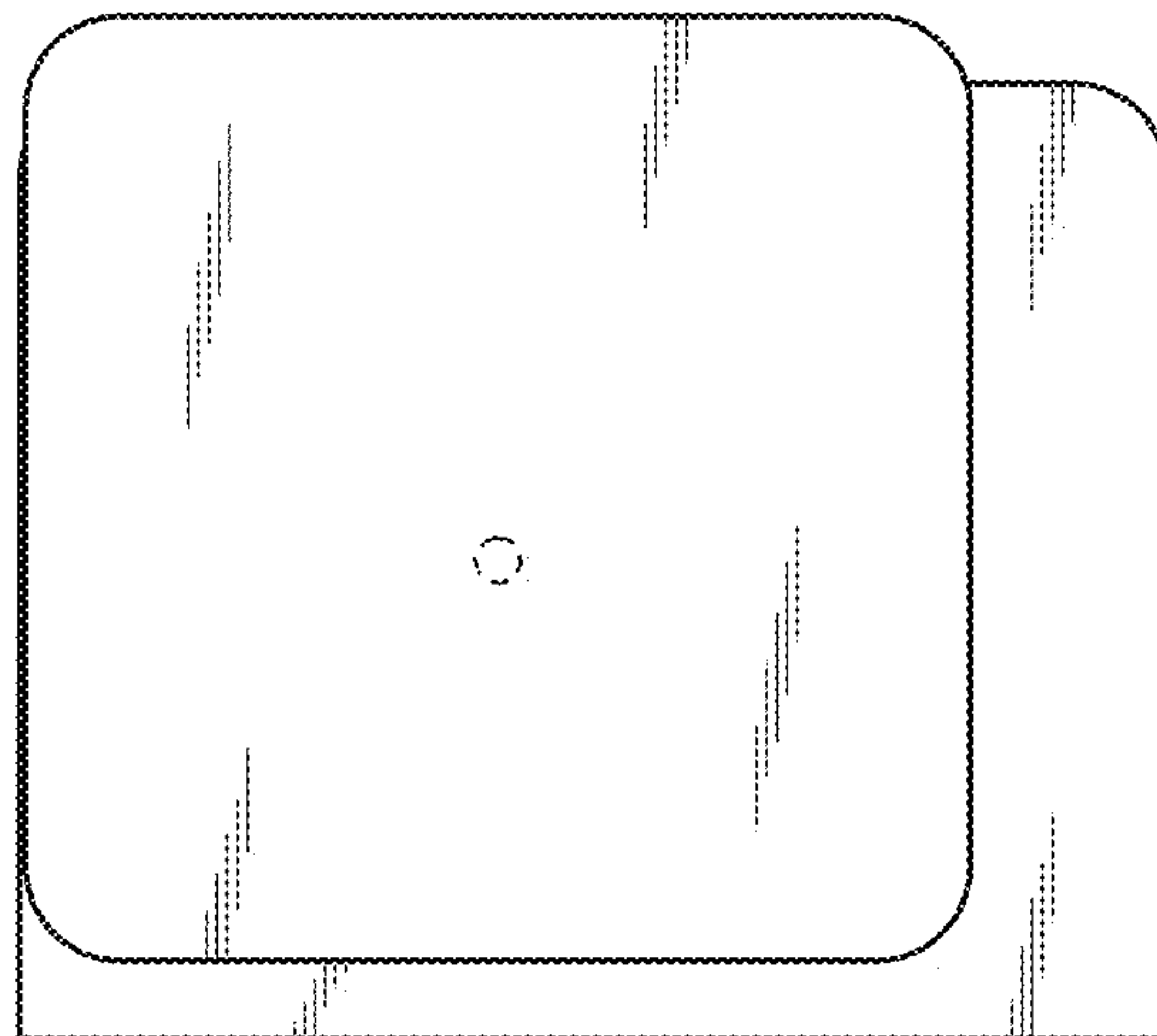
*FIG. 4*



*FIG. 5*



*FIG. 6*



*FIG. 7*