



US00D908978S

(12) **United States Design Patent** (10) **Patent No.:** **US D908,978 S**
Wu (45) **Date of Patent:** **** Jan. 26, 2021**

(54) **DOG BOWL**
(71) Applicant: **Chuan Wu**, Zhejiang (CN)
(72) Inventor: **Chuan Wu**, Zhejiang (CN)
(**) Term: **15 Years**
(21) Appl. No.: **29/748,299**
(22) Filed: **Aug. 28, 2020**
(51) **LOC (13) Cl.** **30-03**
(52) **U.S. Cl.**
USPC **D30/130; D30/133; D30/121; D30/129**
(58) **Field of Classification Search**
USPC D30/133, 121, 128, 130, 132, 122, 129;
119/52.1, 55, 61.5-61.56, 51.01, 51.03,
119/59, 62, 63, 51.5, 57.8, 74, 61;
D6/480-485; 248/188, 151; 312/204;
108/153.1-157, 25-26; 220/23.87, 630,
220/737, 743, 9.4, 495.01, 574, 212, 255,
220/23.83, 57, 5; 206/515, 557, 560,
206/562, 563, 565; D7/586, 543, 550.1,
D7/587, 505, 584, 545, 500, 553.1-553.8,
D7/546, 555, 556, 504, 565, 562, 602,
D7/507, 549, 558, 552.2, 560, 566, 548,
D7/681; D9/429; 43/109; D22/122;
99/430, DIG. 15
CPC A01K 5/00; A01K 5/01; A01K 5/0107;
A01K 5/0114; A01K 5/0121; A01K
5/0128; A01K 5/0135; A01K 7/005
See application file for complete search history.

(56) **References Cited**
U.S. PATENT DOCUMENTS

D193,071 S * 6/1962 Chadbourne D9/425
D229,073 S * 11/1973 Brickel D30/130
D259,669 S * 6/1981 Peterson D30/130
D294,531 S * 3/1988 Neunzig D30/130
D300,068 S * 2/1989 Pritikin D30/129

D326,542 S * 5/1992 Bain, Jr. D30/129
D326,742 S * 6/1992 Tart 119/61.1
D336,555 S * 6/1993 Goetz D30/131
D344,436 S * 2/1994 Walls D7/553.4
D352,139 S * 11/1994 King D30/130
D361,874 S * 8/1995 Keller D1/124
D362,090 S * 9/1995 Baldwin D30/130
D367,736 S * 3/1996 Goetz D30/130
D370,748 S * 6/1996 Janis D21/816
D379,684 S * 6/1997 Dennis D30/130
6,209,487 B1 * 4/2001 Quinlan A01K 5/0114
119/51.01
6,427,626 B1 * 8/2002 Quinlan A01K 5/0128
119/51.01
D466,655 S * 12/2002 Zelinger D30/129
D487,823 S * 3/2004 Wang D30/118
D512,539 S * 12/2005 Brunes D30/130
D512,801 S * 12/2005 Kratzer D30/130
D521,690 S * 5/2006 Krcek D30/133
D541,488 S * 4/2007 Marsh D30/130
D551,400 S * 9/2007 Tsengas D30/133
D553,305 S * 10/2007 Willinger D30/133
D563,607 S * 3/2008 Northrop D30/129

(Continued)

Primary Examiner — Susan Moon Lee
(74) Attorney, Agent, or Firm — ZANIP

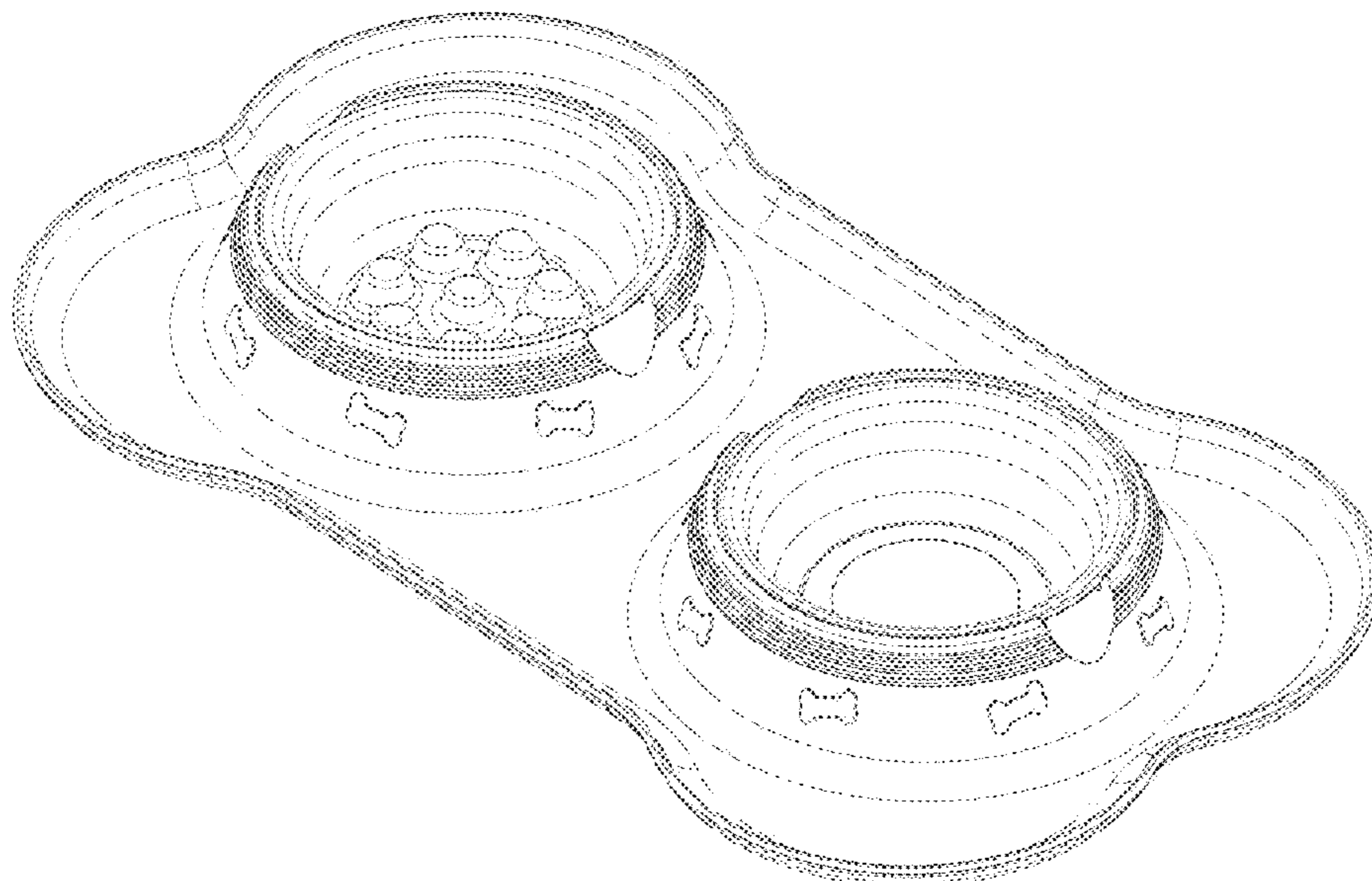
(57) **CLAIM**

The ornamental design for a dog bowl, as shown and described.

DESCRIPTION

FIG. 1 is a front and top perspective view of a dog bowl, showing my new design;
FIG. 2 is a front elevational view thereof;
FIG. 3 is a rear elevational view thereof;
FIG. 4 is a left side elevational view thereof;
FIG. 5 is a right side elevational view thereof;
FIG. 6 is a top plan view thereof; and,
FIG. 7 is a bottom plan view thereof.

1 Claim, 7 Drawing Sheets



(56)

References Cited

U.S. PATENT DOCUMENTS

D563,608 S *	3/2008	Kitchen	A01K 5/0114	2005/0039689 A1 *	2/2005	Mossmer	A01K 5/0128
			D30/129				119/61.5
D569,560 S *	5/2008	Greenan	D30/129	2005/0115508 A1 *	6/2005	Little	A01K 5/0114
D587,970 S *	3/2009	Zack	D7/541				119/61.5
D590,109 S *	4/2009	Anderson	D30/129	2005/0235919 A1 *	10/2005	Willinger	A01K 5/0114
D600,861 S *	9/2009	Sin	D30/129				119/61.5
D600,862 S *	9/2009	Sin		2006/0005774 A1 *	1/2006	Newman Bornhofen	A01K 5/0135
D604,463 S *	11/2009	Pittman	D30/118				119/61.5
D623,362 S *	9/2010	Man	D30/133	2006/0196436 A1 *	9/2006	Nichols	A01K 5/0114
D627,109 S *	11/2010	Man	D30/133				119/61.53
D632,032 S *	2/2011	Glance	D30/199	2006/0213447 A1 *	9/2006	Kitchen	A01K 5/0114
7,992,714 B1 *	8/2011	Devault	A47G 19/10				119/61.5
			206/564	2006/0272588 A1 *	12/2006	Decroix	A01K 5/0114
D654,230 S *	2/2012	Tedaldi	D30/129				119/61.5
D659,297 S *	5/2012	Stygstra	D30/130	2008/0053374 A1 *	3/2008	Kerrigan	A01K 5/0114
D659,913 S *	5/2012	Spectre	D30/130				119/51.03
D687,192 S *	7/2013	Grist	D30/129	2008/0072829 A1 *	3/2008	Kerrigan	A01K 5/0114
D699,009 S *	2/2014	Hansen	D30/121				119/61.5
D702,076 S *	4/2014	Endres	D7/357	2008/0141945 A1 *	6/2008	Markham	A01K 5/0114
D702,077 S *	4/2014	Endres	D7/357				119/61.5
D702,484 S *	4/2014	Endres	D7/357	2009/0126641 A1 *	5/2009	Anderson	A01K 5/0114
D702,485 S *	4/2014	Endres	D7/357				119/61.5
D709,247 S *	7/2014	Gailen	D30/121	2010/0012042 A1 *	1/2010	Lee	A01K 7/00
D722,407 S *	2/2015	Roslonski	D30/130				119/61.5
D724,278 S *	3/2015	Avalos Sartorio	D30/130	2011/0253054 A1 *	10/2011	Hargrove	A01K 5/0114
D725,836 S *	3/2015	Avalos Sartorio	D30/129				119/61.54
D727,576 S *	4/2015	Avalos Sartorio	D30/129	2012/0174874 A1 *	7/2012	Ottosson	A01K 15/025
D741,024 S *	10/2015	Liu	D30/129				119/707
D751,773 S *	3/2016	Gailen	D30/121	2012/0186497 A1 *	7/2012	Spano	A01K 5/0135
D766,659 S *	9/2016	Laurain	D7/506				108/26
D766,660 S *	9/2016	Laurain	D7/506	2012/0227668 A1 *	9/2012	Aycock	A01K 5/0142
D782,749 S *	3/2017	Michizoe	D30/129				119/51.02
D797,383 S *	9/2017	Peninger	D30/133	2012/0273384 A1 *	11/2012	Jaswal	B65D 1/36
D807,705 S *	1/2018	Laurain	D7/555				206/563
D811,666 S *	2/2018	Lopez	D30/133	2013/0125823 A1 *	5/2013	Simon	A01K 5/0114
D818,205 S *	5/2018	Curiel	D30/118				119/61.5
9,992,972 B2 *	6/2018	Avila	A01M 1/02	2014/0060442 A1 *	3/2014	Ressemann	A01K 13/00
D823,553 S *	7/2018	Liu	D30/130				119/61.5
D824,119 S *	7/2018	Yang	D30/130	2014/0076240 A1 *	3/2014	Tsengas	A01K 5/0114
D830,007 S *	10/2018	Harris	D30/129				119/61.5
D850,858 S *	6/2019	Roaks	D7/555	2014/0158054 A1 *	6/2014	Clarke	A01K 5/00
10,349,623 B1 *	7/2019	Stygstra	A01K 5/00				119/51.01
D857,307 S *	8/2019	Miyawaki	D30/129	2014/0299727 A1 *	10/2014	Wendling	F16M 13/00
D861,995 S *	10/2019	Lentz	D30/121				248/176.1
D869,781 S *	12/2019	Han	D30/130	2015/0068461 A1 *	3/2015	Lindskov	A01K 5/00
D873,502 S *	1/2020	MacNeil	D30/130				119/51.01
D882,880 S *	4/2020	Levin	D30/121	2016/0073805 A1 *	3/2016	Laurain	A47G 19/10
D882,882 S *	4/2020	MacNeil	D30/133				220/575
D885,687 S *	5/2020	Daymont	D30/129	2016/0255813 A1 *	9/2016	Wolfe, Jr.	A01K 5/00
D895,216 S *	9/2020	Becattini, Jr.	D30/129				A47J 47/005
D897,050 S *	9/2020	Wang	D30/121	2017/0071155 A1 *	3/2017	Gailen	A47J 47/005
D901,094 S *	11/2020	White	D30/129				A01K 5/0135
D903,958 S *	12/2020	Etherton	D30/199	2017/0086423 A1 *	3/2017	Wall	A01K 5/0135
2002/0185073 A1 *	12/2002	Fullerton	A01K 15/02				A01K 5/0114
				2017/0112092 A1 *	4/2017	Simon	A01K 5/0114
							A01K 5/0114
2003/0037732 A1 *	2/2003	Quinlan	A01K 5/0114	2018/0132448 A1 *	5/2018	Rodriguez	A01K 15/026
							A01K 15/026
				2018/0177154 A1 *	6/2018	Etherton	A01G 27/005
2004/0237901 A1 *	12/2004	Willinger	A01K 5/0135				A01G 27/005
				2018/0288965 A1 *	10/2018	Berry	A01K 5/0107
							A01K 5/0107
				2018/0343826 A1 *	12/2018	Kumar	A01K 5/0135
							A01K 5/0135
				2018/0368594 A1 *	12/2018	Hakim	F16B 47/00
							F16B 47/00
				2019/0281789 A1 *	9/2019	Padia	A01K 7/005
							A01K 7/005

* cited by examiner

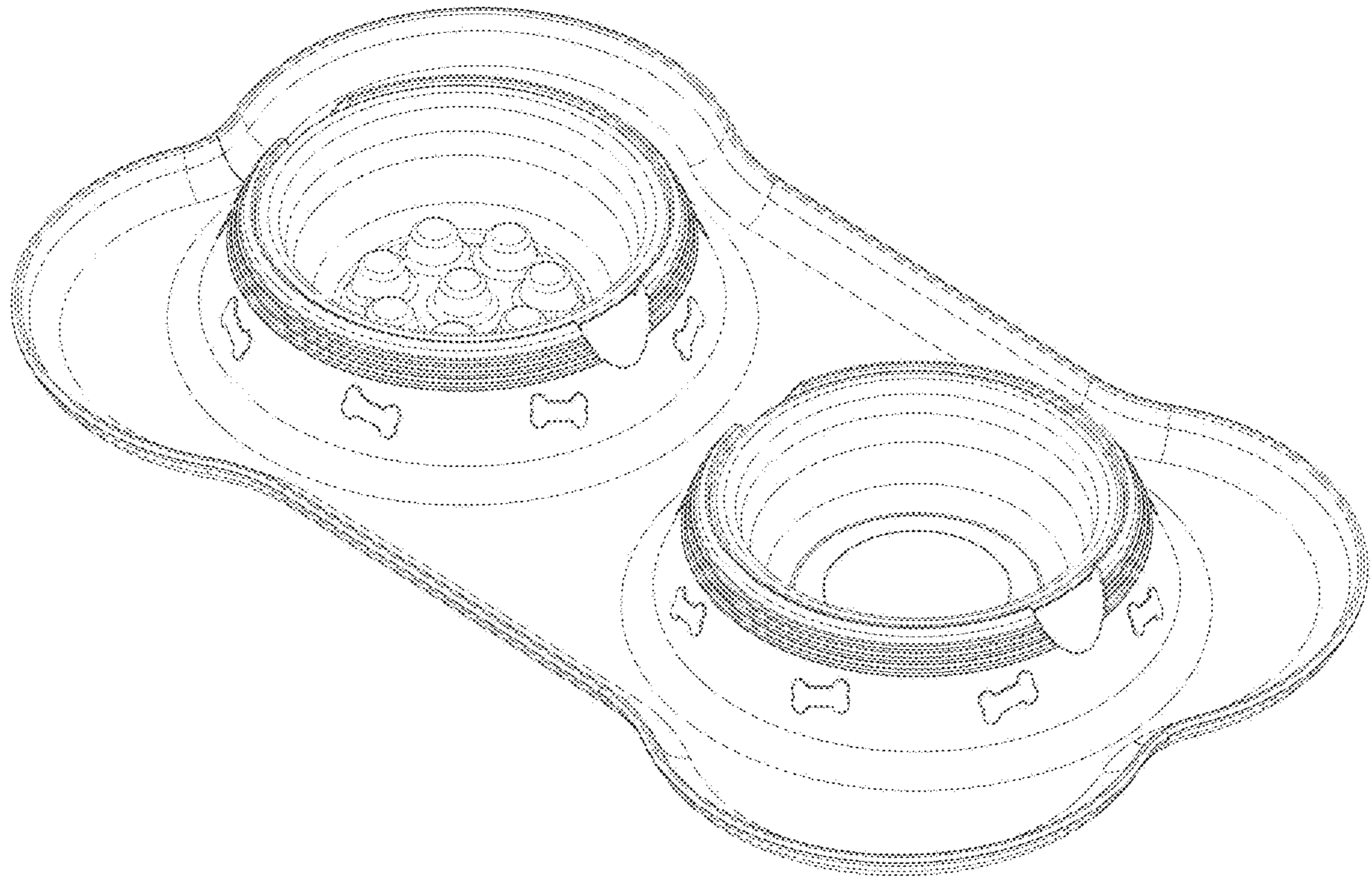


Fig. 1

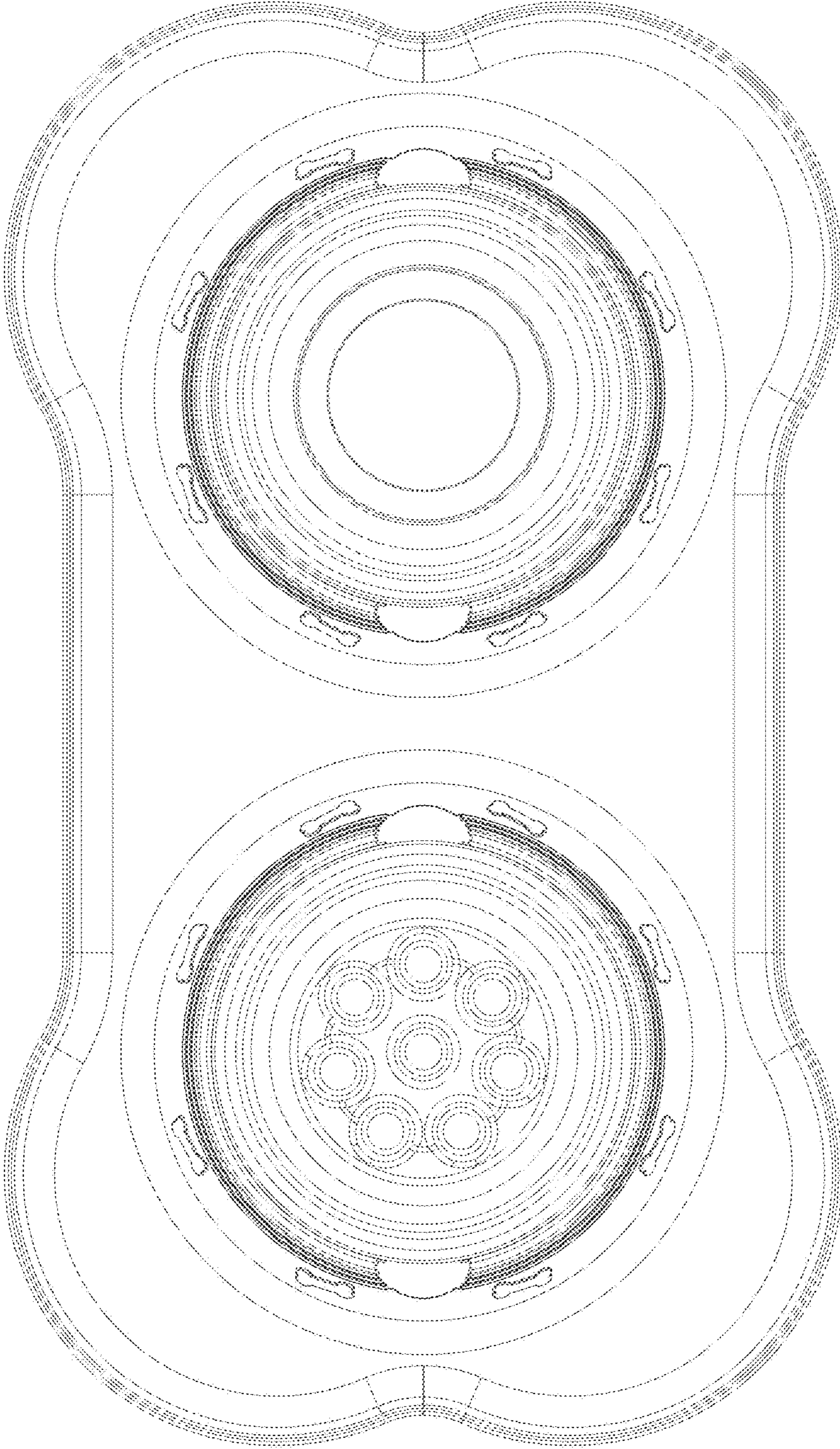


Fig. 2

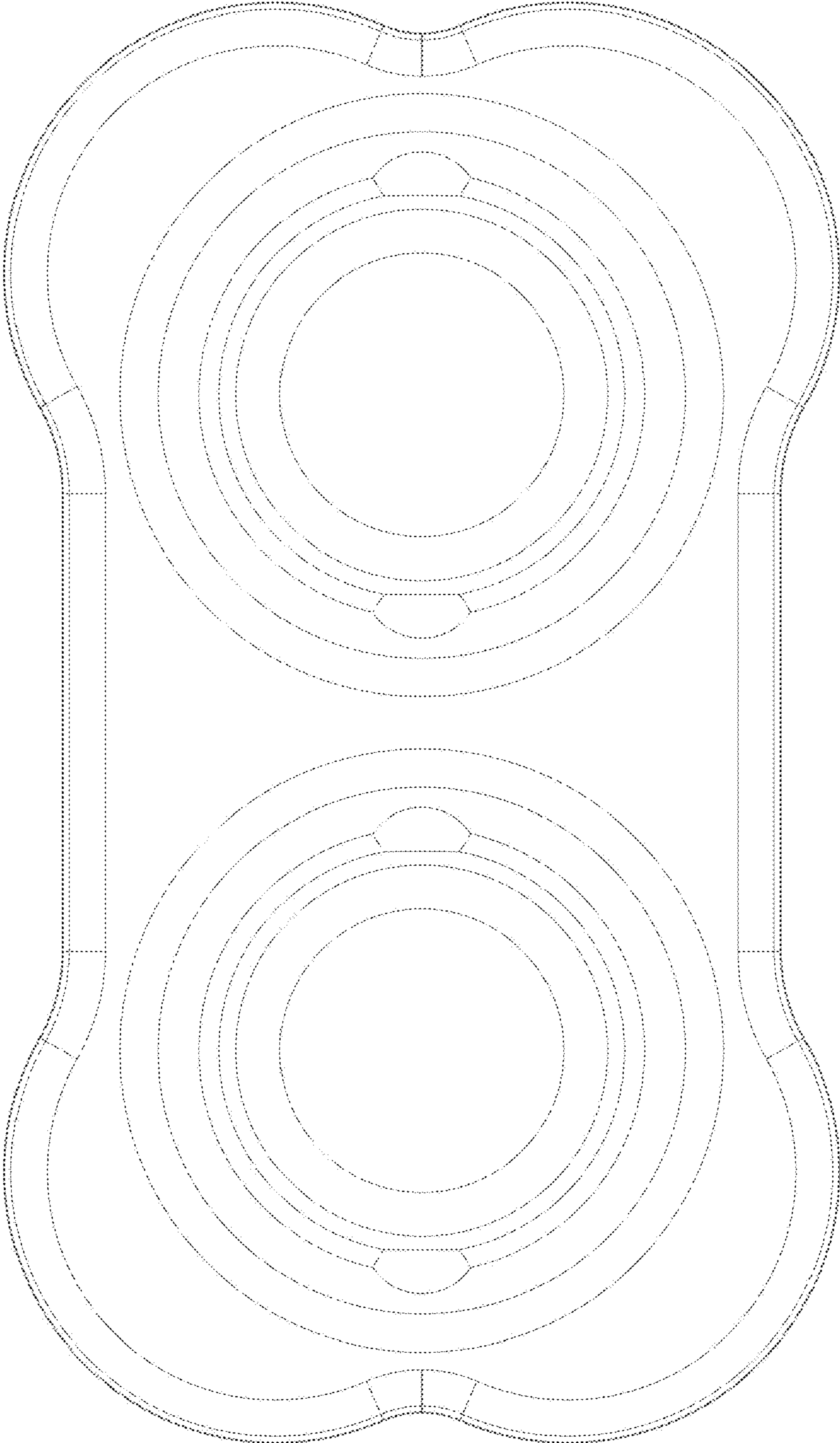


Fig. 3

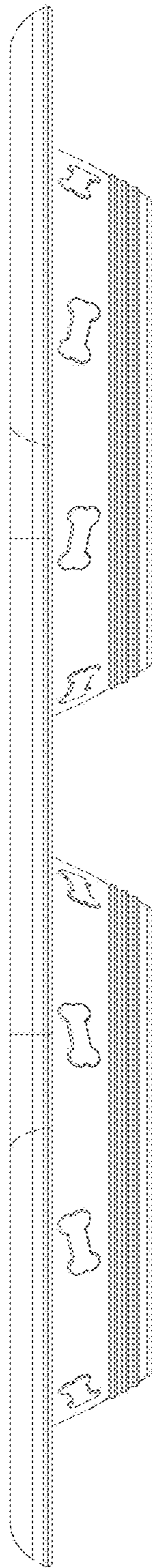


Fig. 4

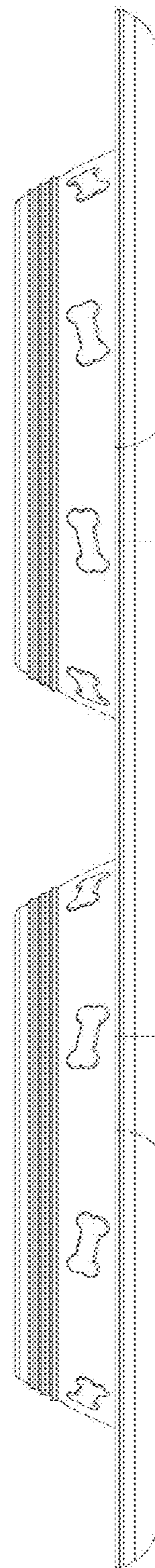


Fig. 5

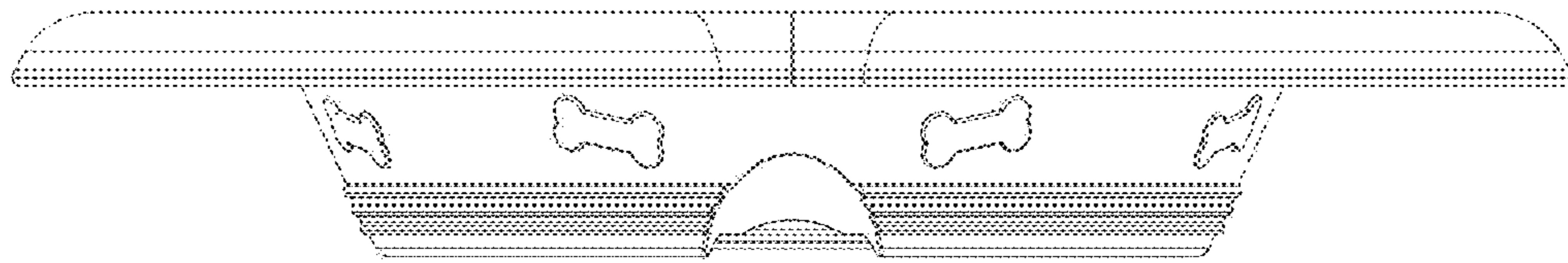


Fig. 6

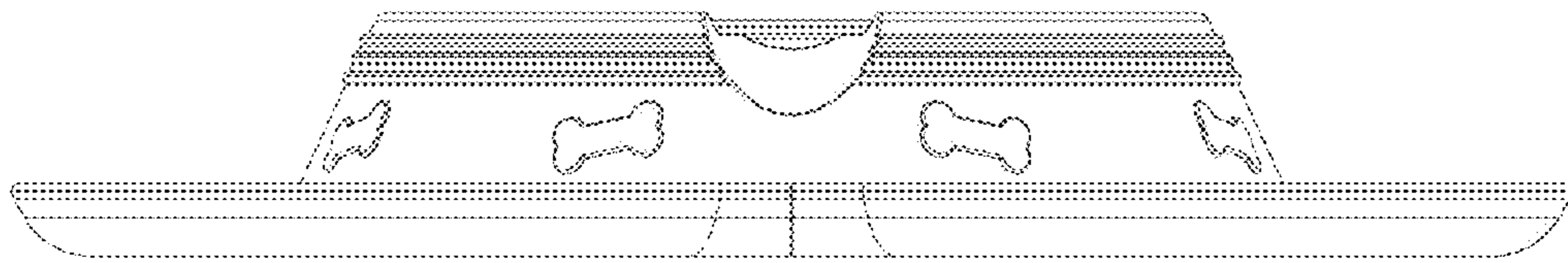


Fig. 7