



US00D908968S

(12) **United States Design Patent**
Goswell

(10) **Patent No.:** **US D908,968 S**

(45) **Date of Patent:** **** Jan. 26, 2021**

(54) **FRAMED MAKE-UP CONTAINER WITH
TRANSPARENT INSERT FOR FLOATING
PANS**

(71) Applicant: **ASQUAN LIMITED**, Kowloon (HK)

(72) Inventor: **Rebecca Goswell**, Richmond (GB)

(73) Assignee: **ASQUAN LIMITED**, Kowloon (HK)

(**) Term: **15 Years**

(21) Appl. No.: **29/683,667**

(22) Filed: **Mar. 14, 2019**

(51) **LOC (13) Cl.** **28-03**

(52) **U.S. Cl.**
USPC **D28/83**

(58) **Field of Classification Search**
USPC D28/76-84; D3/247, 249
CPC A45D 33/28; A45D 2040/223-228; A45D
33/08; A45D 33/16; A45D 33/18-24;
A45D 40/22-222; A45D 40/24; A45D
33/00; A45D 33/003; A45D 33/005;
A45D 33/006; A45D 33/008; A45C
11/008; A45C 2011/006-007
See application file for complete search history.

(56) **References Cited**

U.S. PATENT DOCUMENTS

5,005,697	A *	4/1991	Jimbo	A45D 40/00 206/235
5,813,420	A *	9/1998	Sussman	A45D 33/006 132/294
D422,120	S *	3/2000	Orsomando	D28/83
D465,305	S *	11/2002	Thorpe	D28/83
D469,223	S *	1/2003	Thorpe	D28/83
D477,895	S *	7/2003	Goswell	D28/83
D554,804	S *	11/2007	Bernard	D28/83
7,828,000	B2 *	11/2010	Lee	A45D 33/20 132/287

D642,743	S *	8/2011	Shteyssel	D28/83
D723,742	S *	3/2015	Shteyssel	D28/83
D831,275	S *	10/2018	Maynard	D28/83
D851,837	S *	6/2019	Lam	D28/83
D867,670	S *	11/2019	Tawil	D28/83
D879,380	S *	3/2020	Gaito	D28/84
D879,381	S *	3/2020	Gaito	D28/84
D887,644	S *	6/2020	Gaito	D28/84

(Continued)

Primary Examiner — Jennifer Rivard

(74) *Attorney, Agent, or Firm* — Prol Intellectual Property Law, PLLC; H. Kenneth Prol

(57) **CLAIM**

The ornamental design for a framed make-up container with transparent insert for floating pans, as shown and described.

DESCRIPTION

FIG. 1 is a perspective view of a first embodiment of a framed make-up container with transparent insert for floating pans having a closed lid according to the new design; FIG. 2 is a front view of the embodiment of FIG. 1; FIG. 3 is a rear view of the embodiment of FIG. 1; FIG. 4 is a right side view of the embodiment of FIG. 1; FIG. 5 is a left side view of the embodiment of FIG. 1; FIG. 6 is a top view of the embodiment of FIG. 1; FIG. 7 is a bottom view of the embodiment of FIG. 1; FIG. 8 is another perspective view of the embodiment of FIG. 1 with an open lid; FIG. 9 is a perspective view of a second embodiment of a framed make-up container with transparent insert for floating pans showing an inset mirror in the lid according to the new design; and, FIG. 10 is yet another perspective view of the second embodiment of FIG. 9. The broken lines in FIGS. 9-10 illustrate a portion of the container and form no part of the claimed design.

1 Claim, 6 Drawing Sheets



(56)

References Cited

U.S. PATENT DOCUMENTS

2006/0027481 A1* 2/2006 Gelardi G11B 33/0422
206/581
2008/0245383 A1* 10/2008 Tomandl A45D 40/18
132/200
2010/0031971 A1* 2/2010 Ha A45D 33/24
132/293
2013/0133686 A1* 5/2013 Shteyssel A45D 40/24
132/314
2013/0284202 A1* 10/2013 Limongi A45D 33/00
132/316
2014/0299151 A1* 10/2014 Stroud A45D 33/20
132/315
2019/0059557 A1* 2/2019 Kehoe A45D 42/00

* cited by examiner

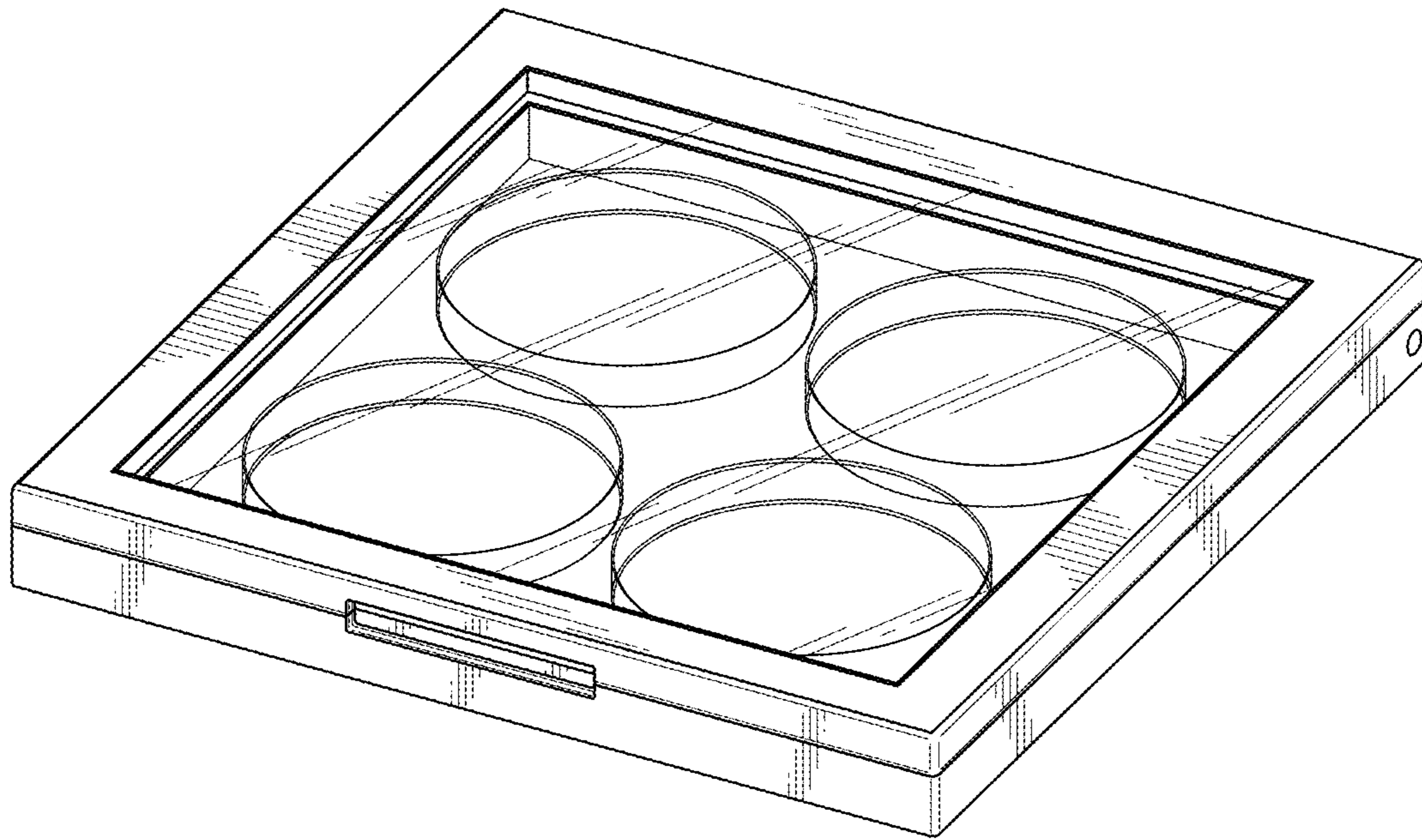


FIG. 1

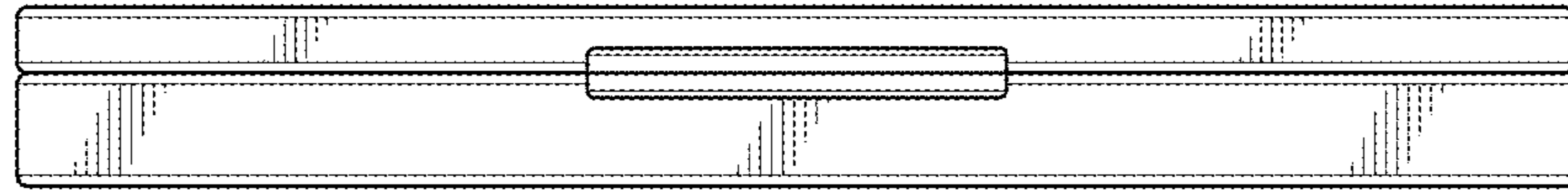


FIG. 2

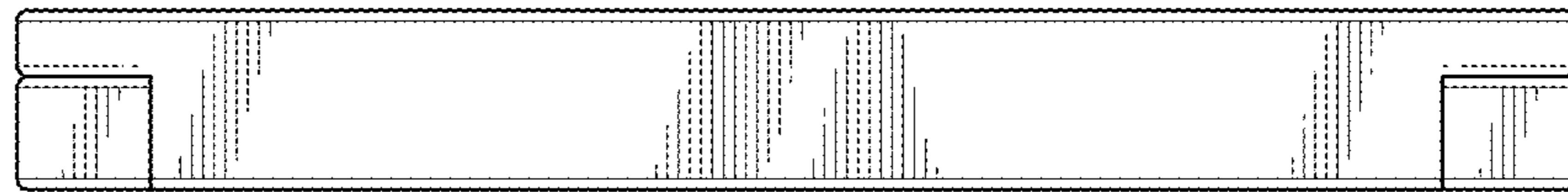


FIG. 3

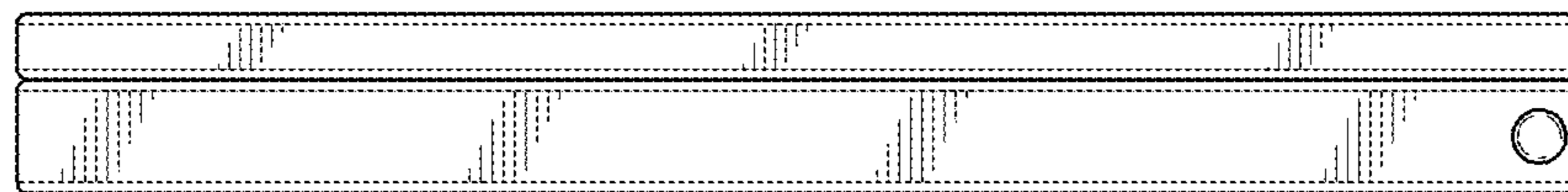


FIG. 4

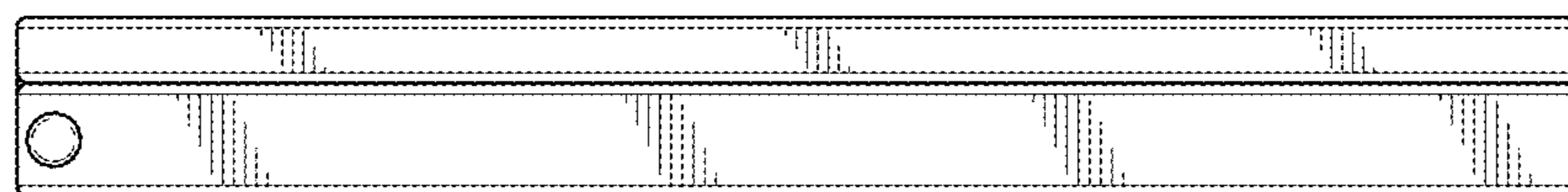


FIG. 5

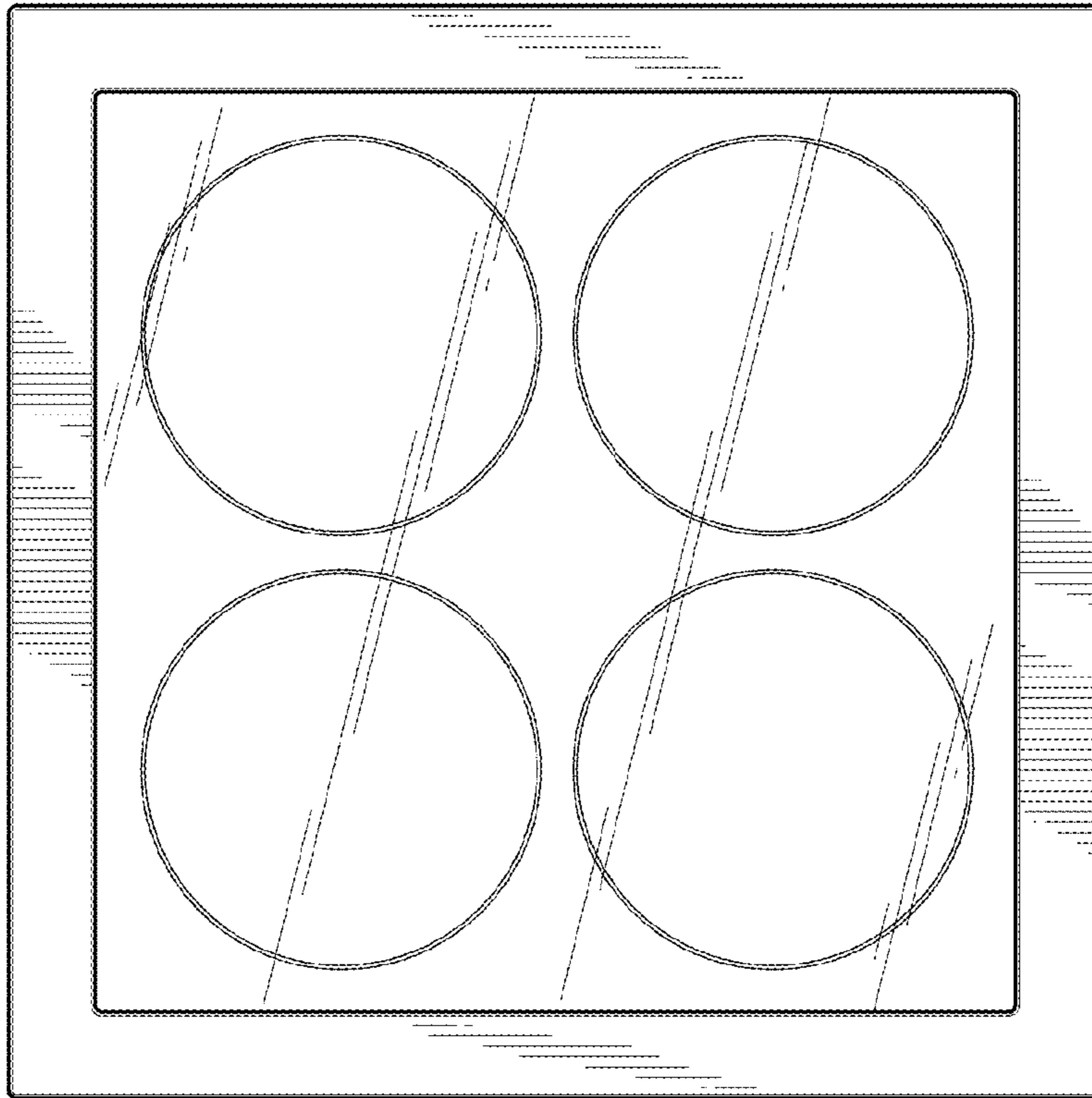


FIG. 6

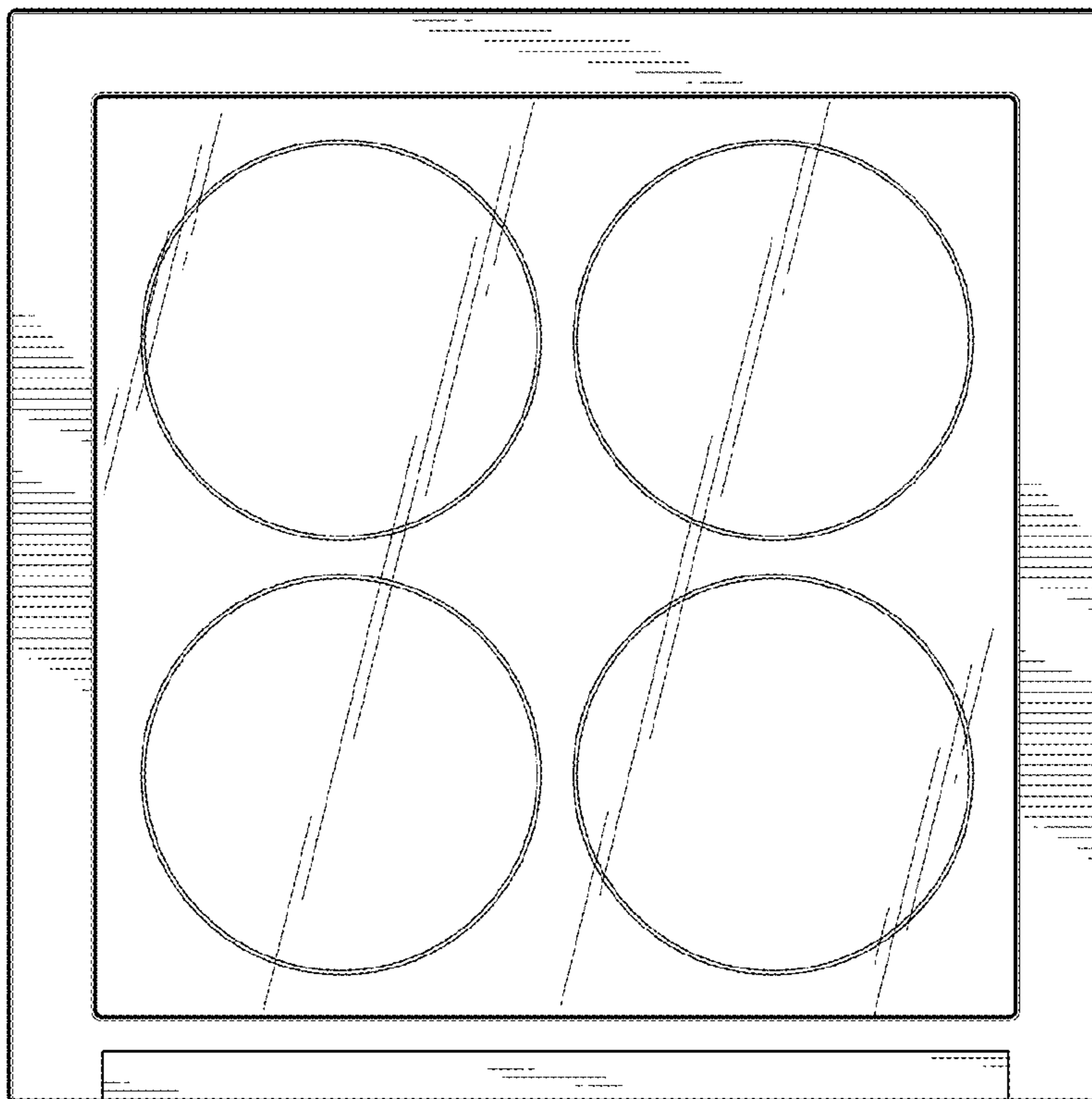


FIG. 7



FIG. 8



FIG. 9



FIG. 10