



US00D908967S

(12) **United States Design Patent**  
**Goswell**

(10) **Patent No.:** **US D908,967 S**  
(45) **Date of Patent:** **\*\* Jan. 26, 2021**

(54) **FRAMED, ROUND MAKE-UP CONTAINER WITH TRANSPARENT INSERT FOR FLOATING PANS**

(71) Applicant: **ASQUAN LIMITED**, San Po Kong (HK)

(72) Inventor: **Rebecca Goswell**, Richmond (GB)

(73) Assignee: **ASQUAN LIMITED**, San Po Kong (HK)

(\*\*) Term: **15 Years**

(21) Appl. No.: **29/683,672**

(22) Filed: **Mar. 14, 2019**

(51) **LOC (13) Cl.** ..... **28-03**

(52) **U.S. Cl.**  
USPC ..... **D28/82; D28/64.6**

(58) **Field of Classification Search**  
USPC ..... D28/76-84, 64.1-64.6; D3/247, 249  
CPC ..... A45D 33/28; A45D 2040/223-228; A45D 33/08; A45D 33/16; A45D 33/18-24; A45D 40/22-222; A45D 40/24; A45D 33/00; A45D 33/003; A45D 33/005; A45D 33/006; A45D 33/008; A45C 11/008; A45C 2011/006-007  
See application file for complete search history.

(56) **References Cited**

**U.S. PATENT DOCUMENTS**

- 1,443,542 A \* 1/1923 Kollstede ..... A45D 40/22 132/294
- 1,748,491 A \* 2/1930 May ..... A45D 33/006 220/291
- 6,070,749 A \* 6/2000 Joulia ..... A45D 40/221 132/294
- D469,223 S \* 1/2003 Thorpe ..... D28/83
- 7,393,115 B2 \* 7/2008 Tokushita ..... A45D 33/006 132/288

- D689,243 S \* 9/2013 Parker ..... D28/82
- 8,678,222 B2 \* 3/2014 Thorpe ..... A45C 13/008 220/291
- D738,572 S \* 9/2015 Kalyanpur ..... D28/82
- D746,514 S \* 12/2015 Lambridis ..... A45D 33/008 D28/82
- 10,092,081 B2 \* 10/2018 Burditt, Jr. .... A45D 33/008
- D890,433 S \* 7/2020 Zhu ..... D28/64.6

(Continued)

*Primary Examiner* — Jennifer Rivard

(74) *Attorney, Agent, or Firm* — Prol Intellectual Property Law, PLLC; H. Kenneth Prol

(57) **CLAIM**

The ornamental design for a framed, round make-up container with transparent insert for floating pans, as shown and described.

**DESCRIPTION**

FIG. 1 is a perspective view of a first embodiment of a framed, round make-up container with transparent insert for floating pans having a closed lid according to the new design;

FIG. 2 is a front view of the embodiment of FIG. 1;

FIG. 3 is a rear view of the embodiment of FIG. 1;

FIG. 4 is a right side view of the embodiment of FIG. 1;

FIG. 5 is a left side view of the embodiment of FIG. 1;

FIG. 6 is a top view of the embodiment of FIG. 1;

FIG. 7 is a bottom view of the embodiment of FIG. 1;

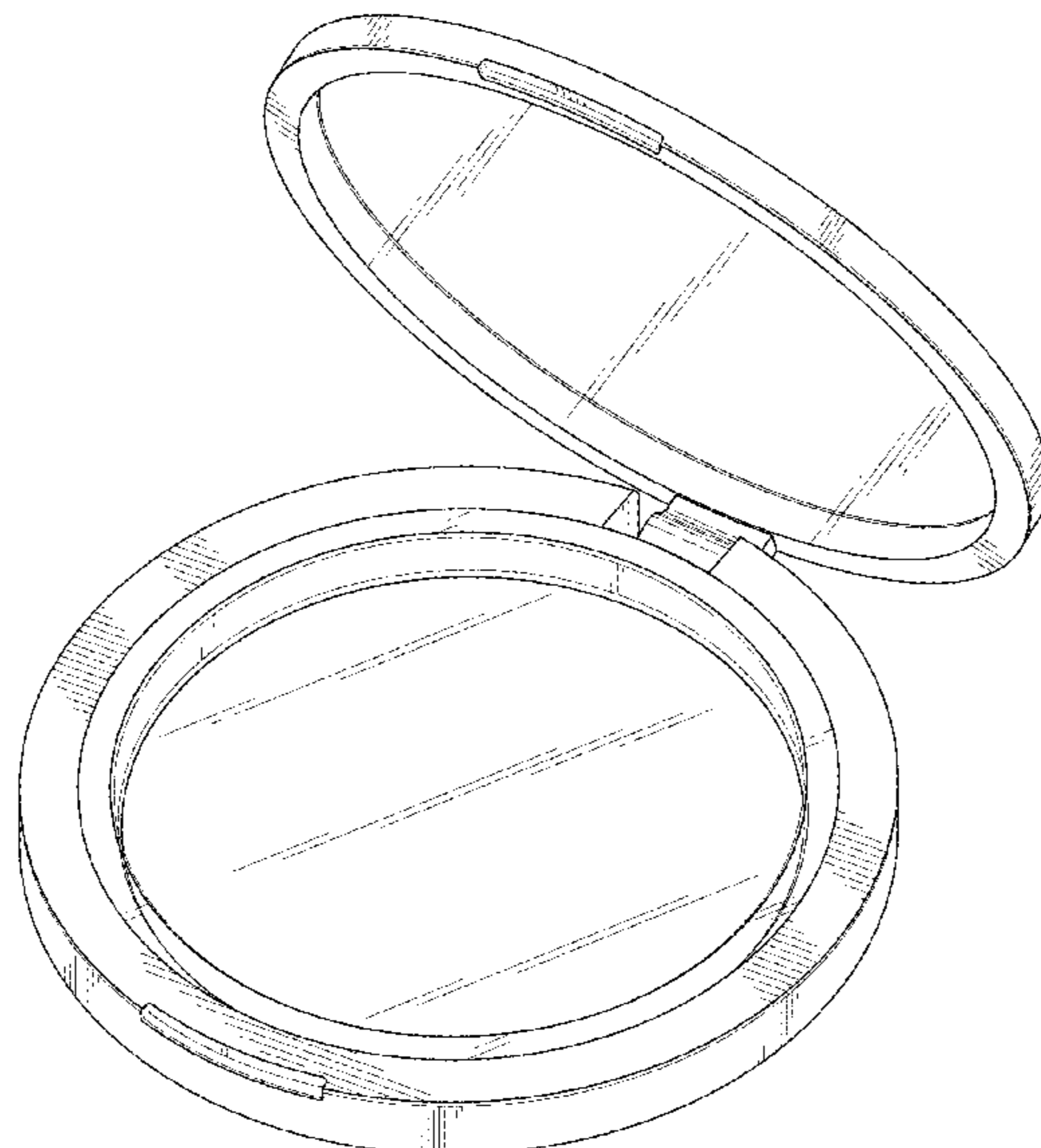
FIG. 8 is another perspective view of the embodiment of FIG. 1 with an open lid;

FIG. 9 is a perspective view of a second embodiment of a framed, round make-up container with transparent insert for floating pans showing an inset mirror in the lid according to the new design; and,

FIG. 10 is yet another perspective view of the second embodiment of FIG. 9.

The broken lines in FIGS. 9-10 illustrate a portion of the container and form no part of the claimed design.

**1 Claim, 7 Drawing Sheets**



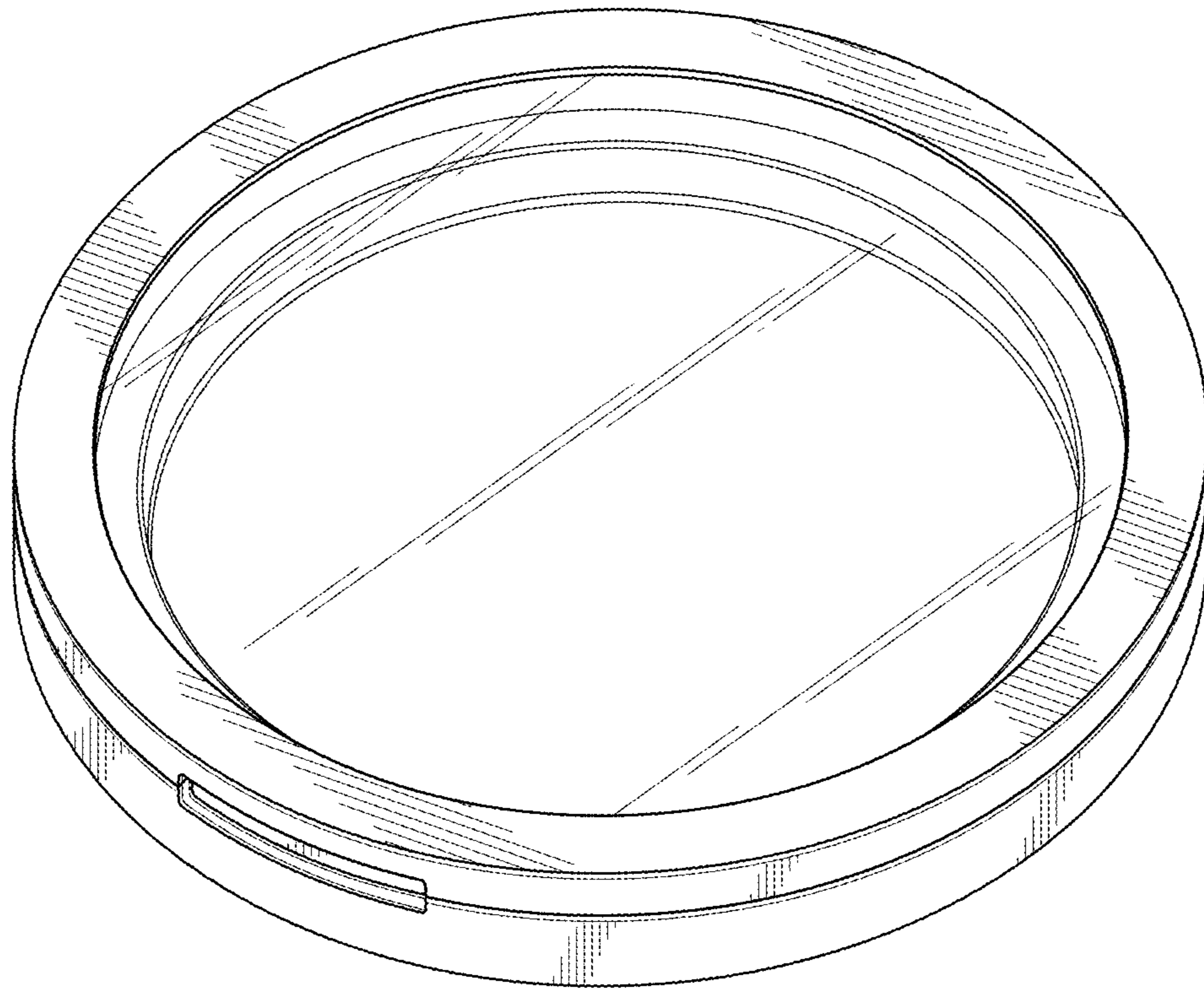
(56)

**References Cited**

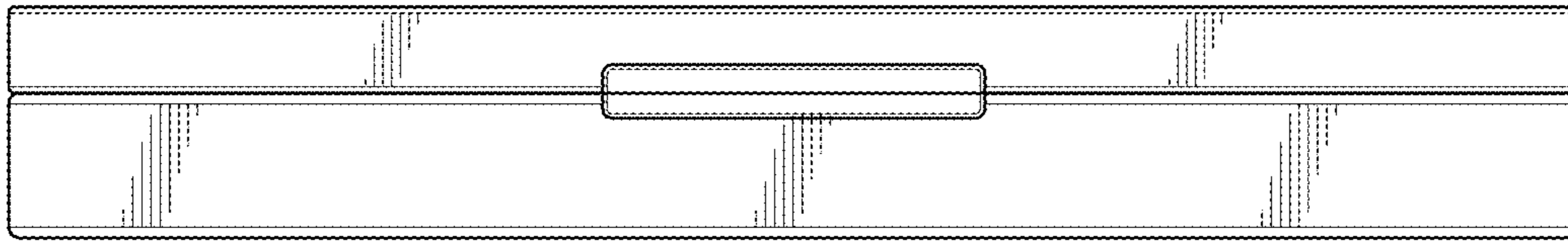
U.S. PATENT DOCUMENTS

2014/0014131 A1\* 1/2014 Zhang ..... A45D 33/008  
132/316  
2014/0026921 A1\* 1/2014 Zhang ..... A45D 33/008  
132/315  
2015/0282587 A1\* 10/2015 Earl ..... A45D 33/006  
220/288

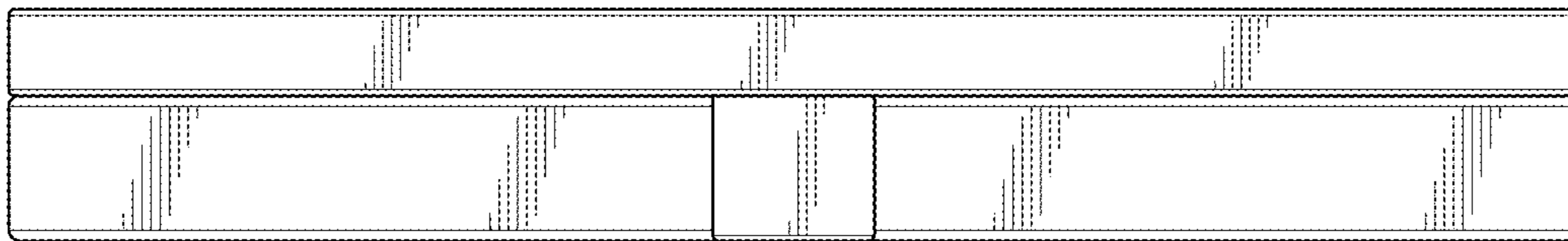
\* cited by examiner



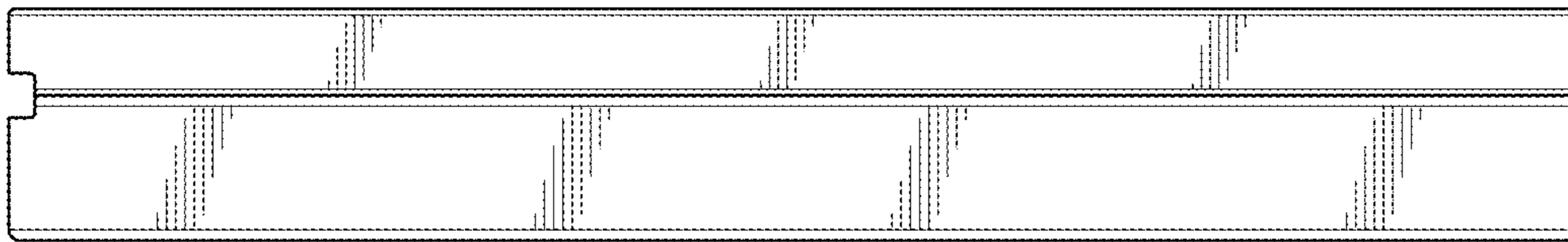
**FIG. 1**



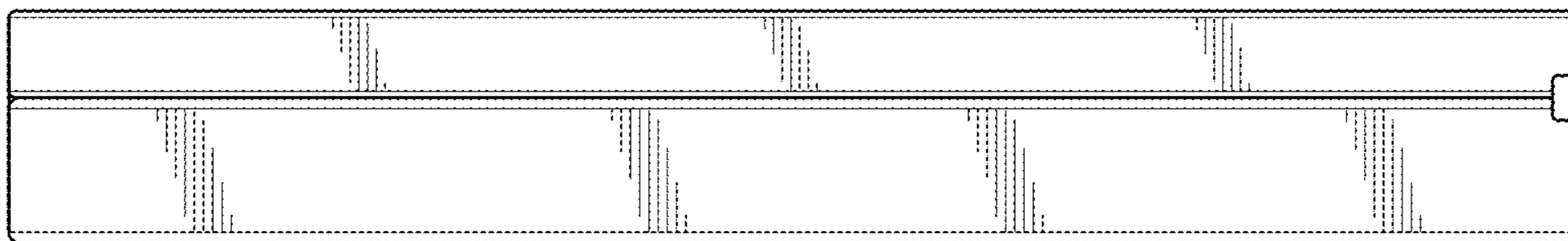
**FIG. 2**



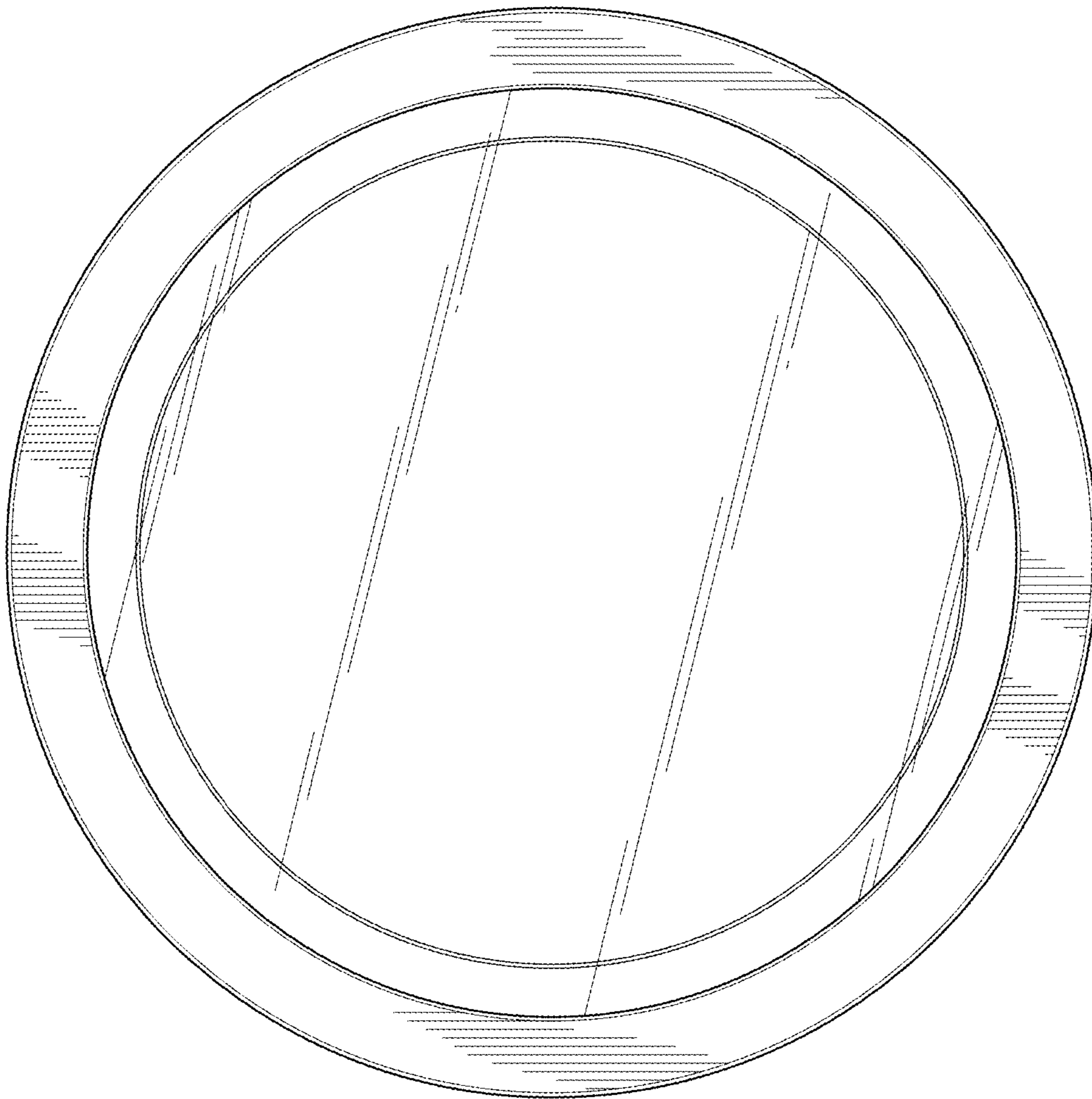
**FIG. 3**



**FIG. 4**

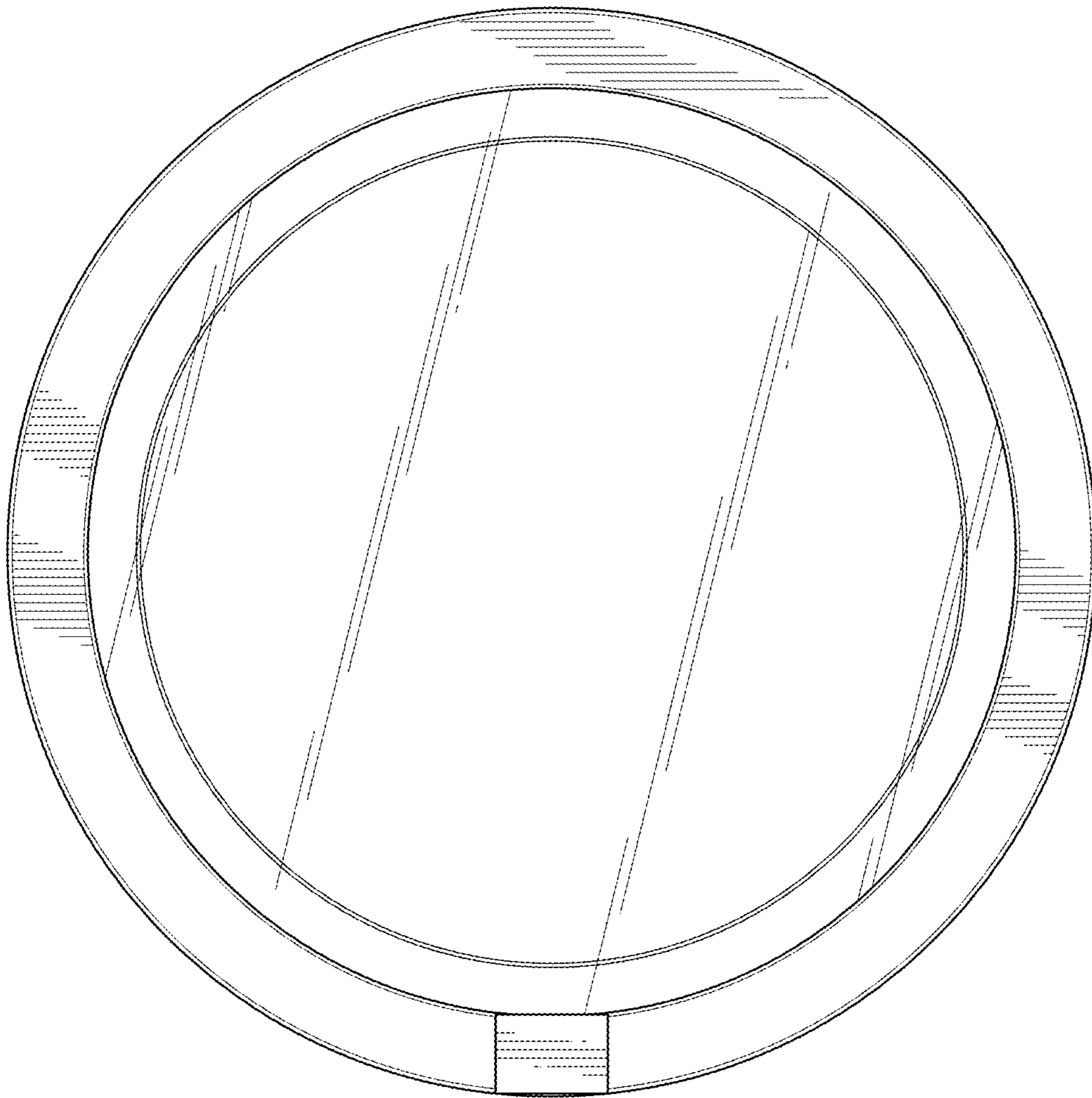


**FIG. 5**

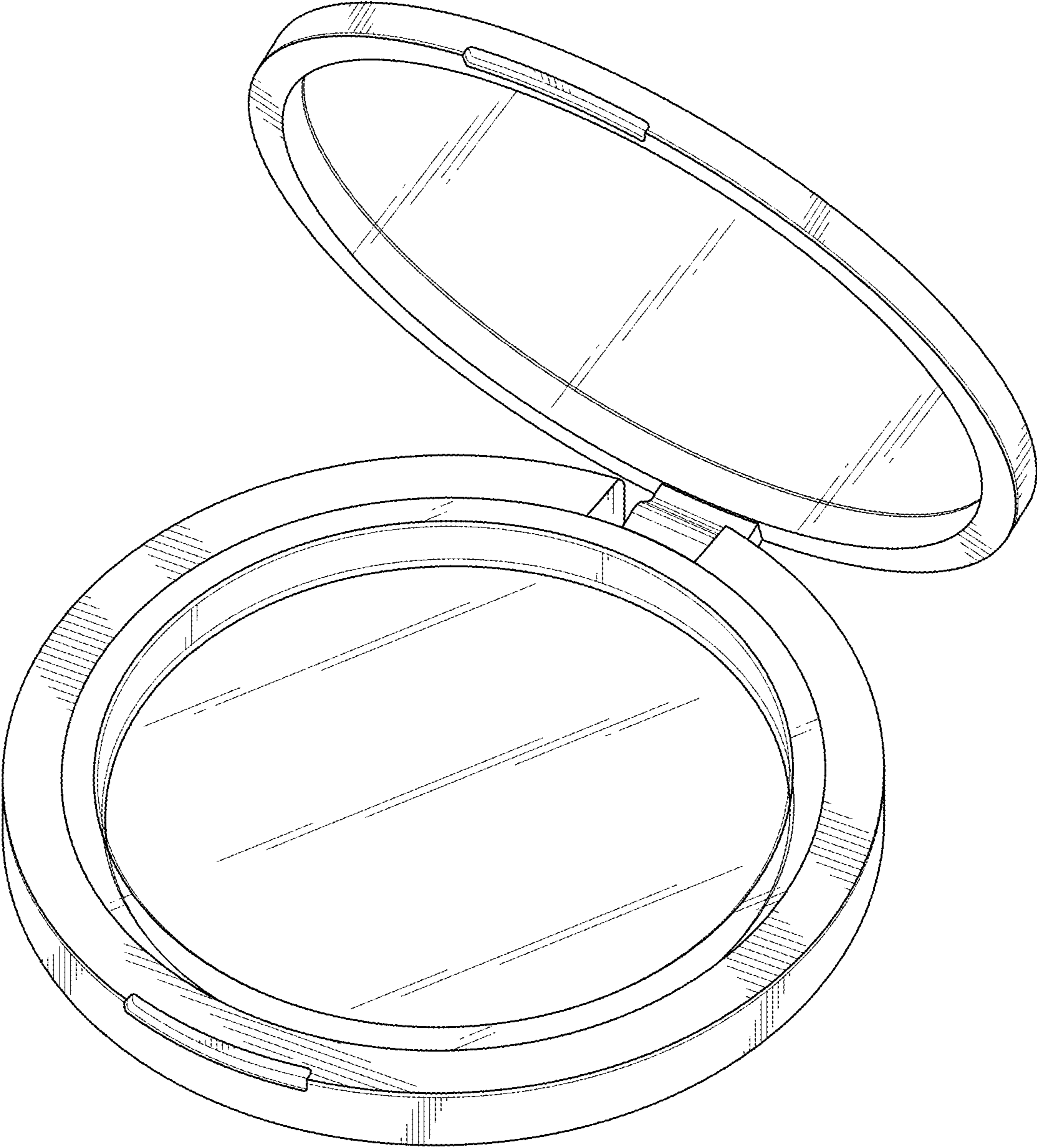


**FIG. 6**

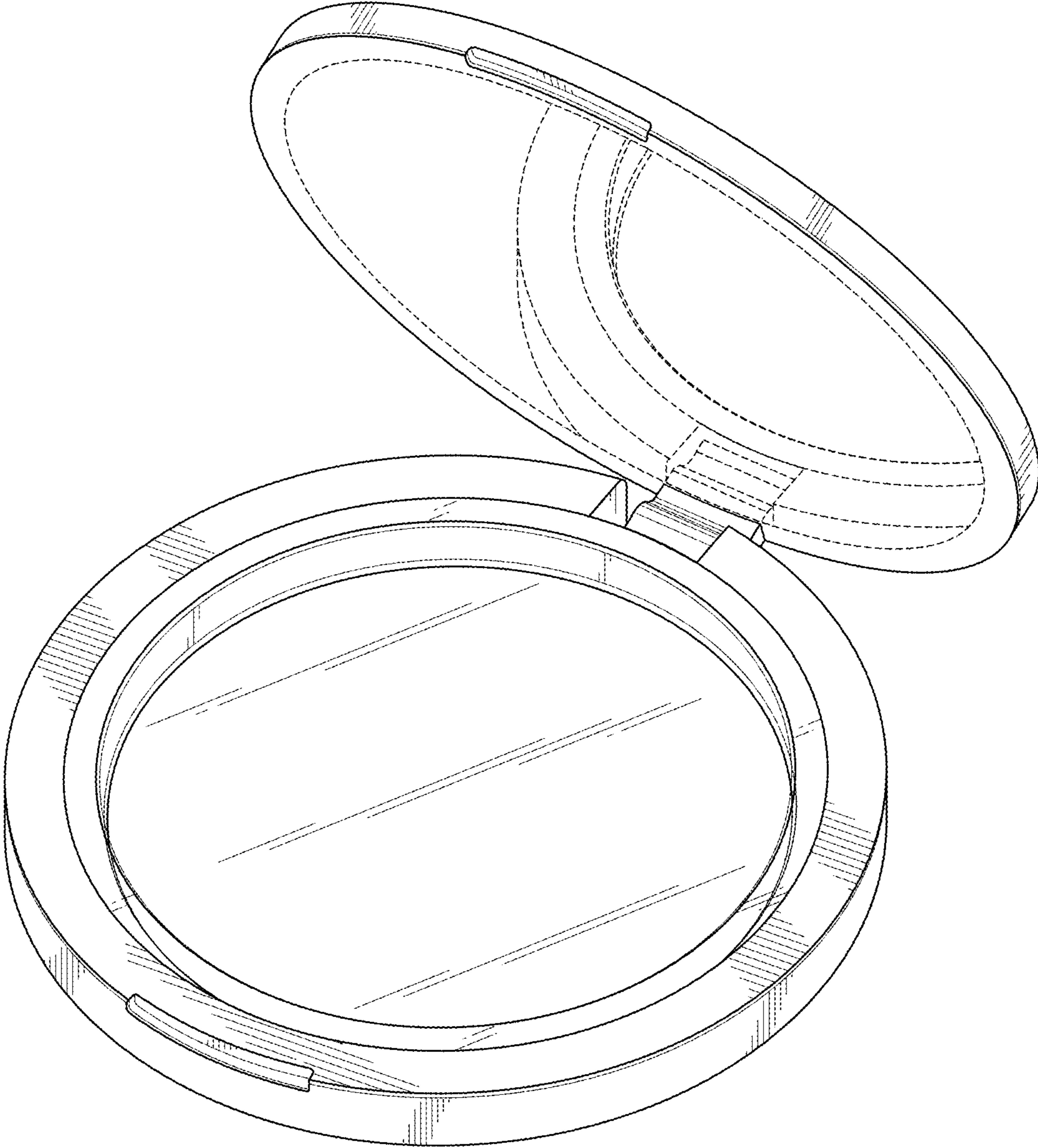




**FIG. 7**

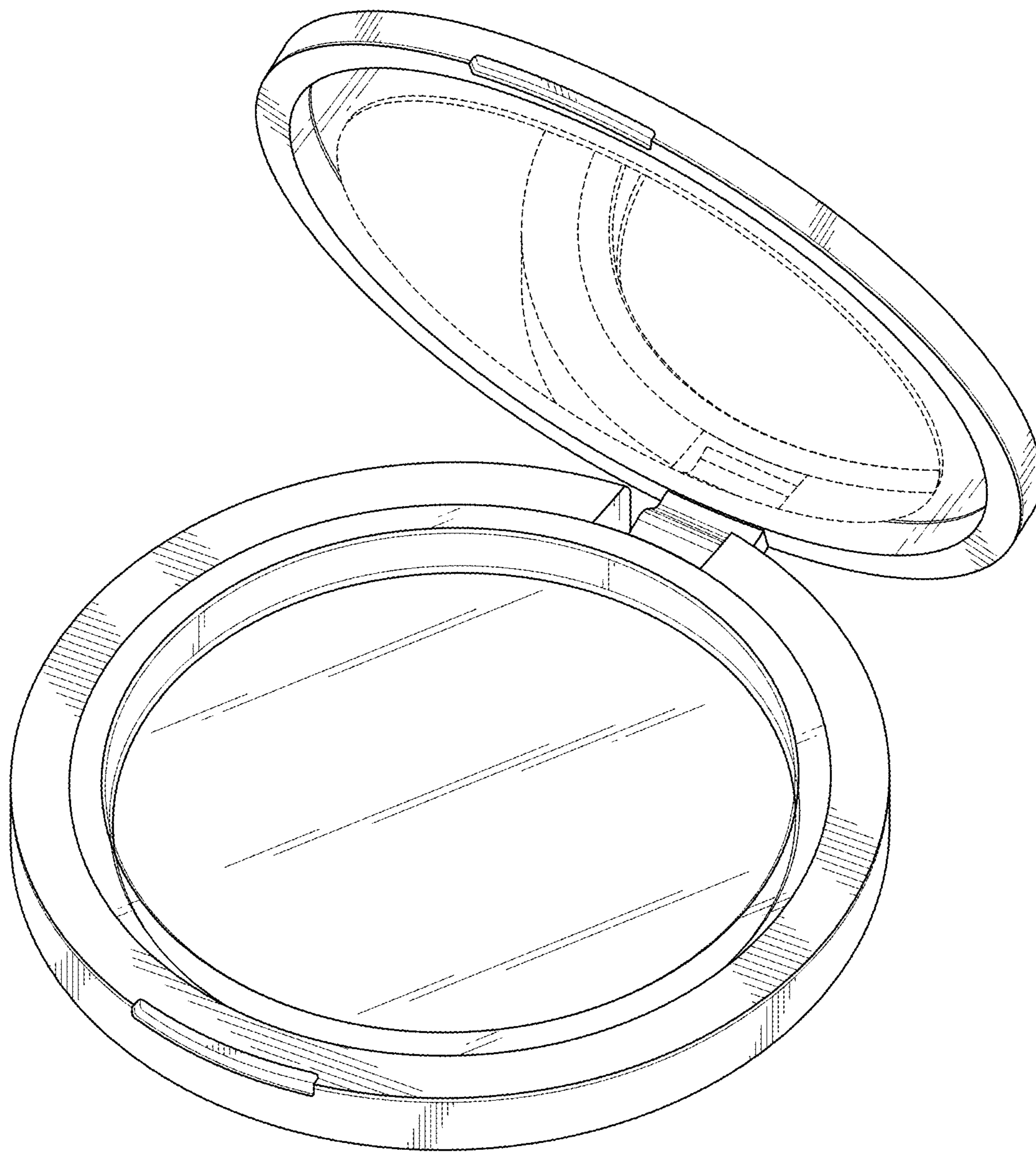


**FIG. 8**



**FIG. 9**





**FIG. 10**