



US00D908962S

(12) **United States Design Patent**
Tran

(10) **Patent No.:** **US D908,962 S**
(45) **Date of Patent:** **** Jan. 26, 2021**

- (54) **ELECTRIC RAZOR**
- (71) Applicant: **Manscaped, LLC**, San Diego, CA (US)
- (72) Inventor: **Anh Hao Tran**, San Diego, CA (US)
- (73) Assignee: **Manscaped, LLC**, San Diego, CA (US)
- (**) Term: **15 Years**
- (21) Appl. No.: **29/694,217**
- (22) Filed: **Jun. 7, 2019**
- (51) **LOC (13) Cl.** **28-03**
- (52) **U.S. Cl.**
USPC **D28/51; D28/53**
- (58) **Field of Classification Search**
USPC D28/49, 51, 53, 54
CPC .. B26B 19/3853–3866; B26B 19/3886; B26B
19/20; B26B 19/205; B26B 19/22; B26B
19/00–107
See application file for complete search history.

- D698,083 S * 1/2014 Werner D28/53
- D723,217 S * 2/2015 Wong D28/51
- D800,965 S * 10/2017 Aulwes D28/53
- D808,592 S * 1/2018 Fleming D28/53
- D854,747 S * 7/2019 Kimchi D28/53
- D864,483 S * 10/2019 Chen D28/53

* cited by examiner

Primary Examiner — Jennifer Rivard
(74) *Attorney, Agent, or Firm* — Greenberg Traurig, LLP

(57) **CLAIM**

An ornamental design for an electric razor, as shown and described.

DESCRIPTION

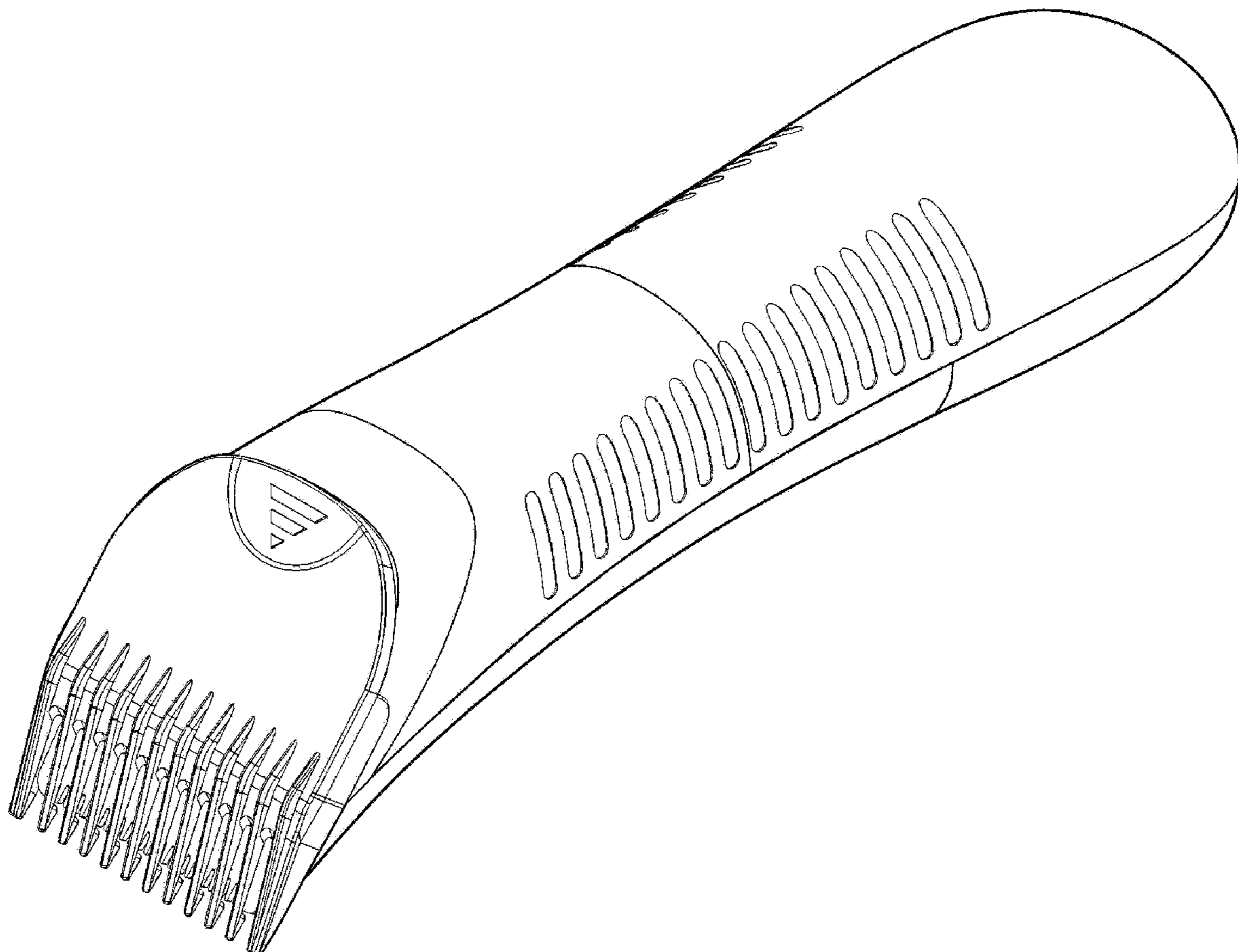
FIG. 1 is perspective view of an electric razor showing my new design;
FIG. 2 is a right side view thereof;
FIG. 3 is a left side view thereof;
FIG. 4 is a front elevational view thereof;
FIG. 5 is a rear elevational view thereof;
FIG. 6 is a top view thereof; and,
FIG. 7 is a bottom view thereof.
The broken lines illustrate a portion of the electric razor and form no part of the claimed design.

(56) **References Cited**

U.S. PATENT DOCUMENTS

- D608,051 S * 1/2010 Tamsiran D28/44.1
- D646,437 S * 10/2011 Leventhal D28/49

1 Claim, 4 Drawing Sheets



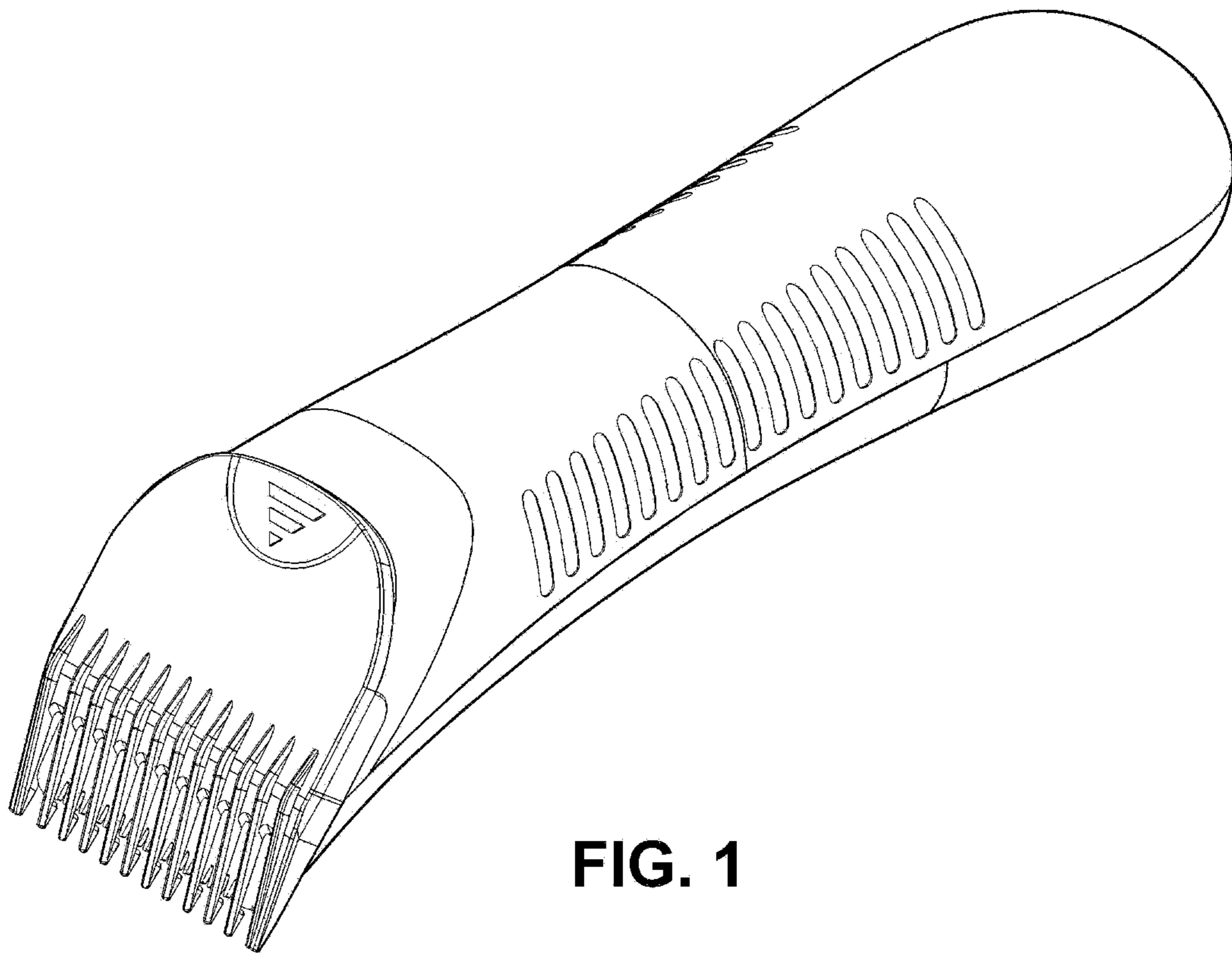


FIG. 1

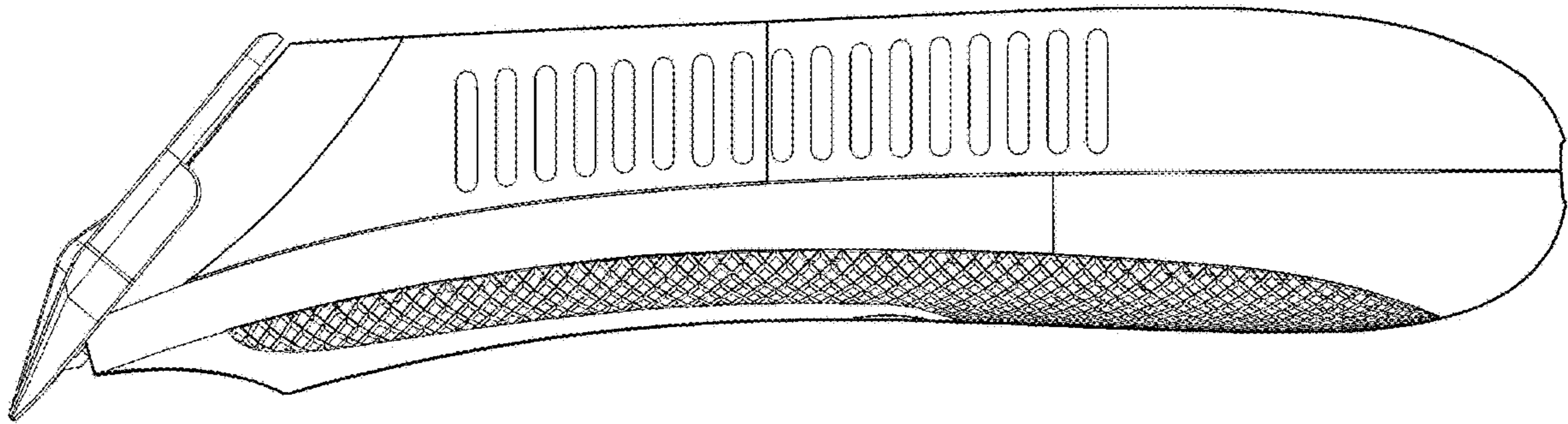


FIG. 2

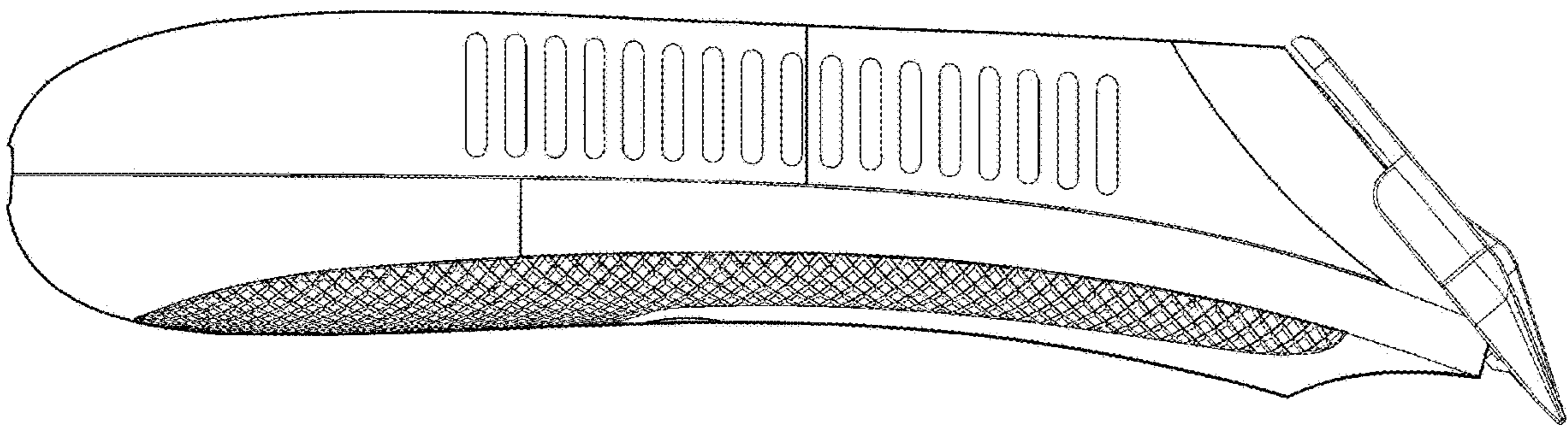


FIG. 3

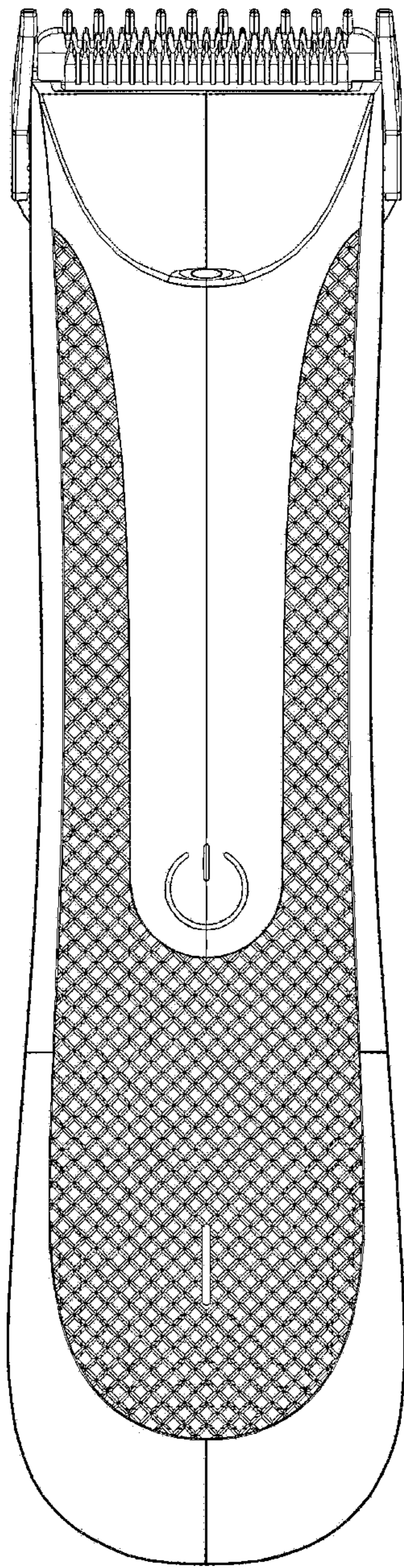


FIG. 4

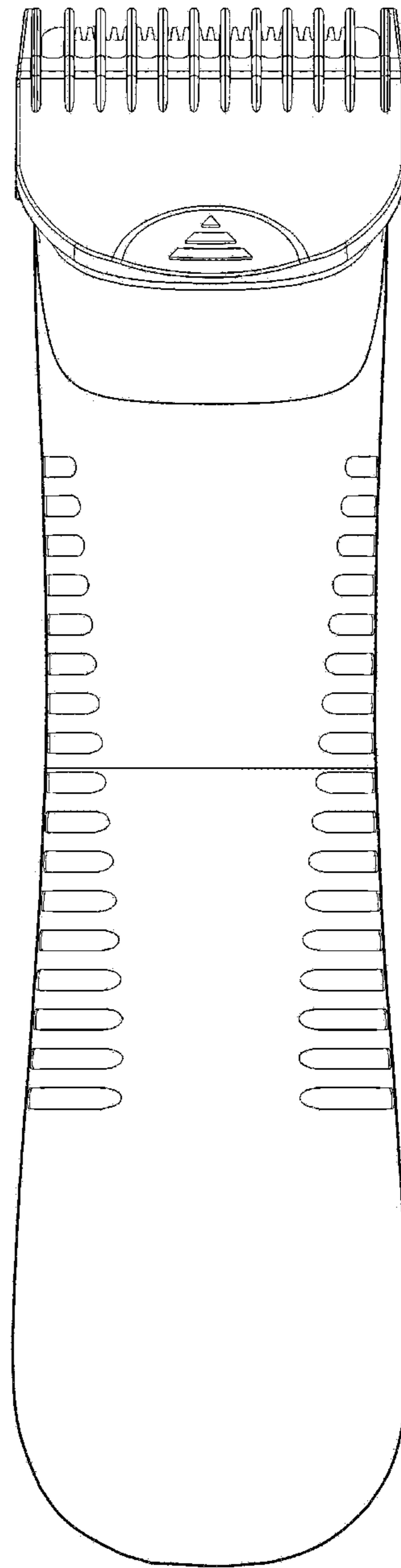


FIG. 5

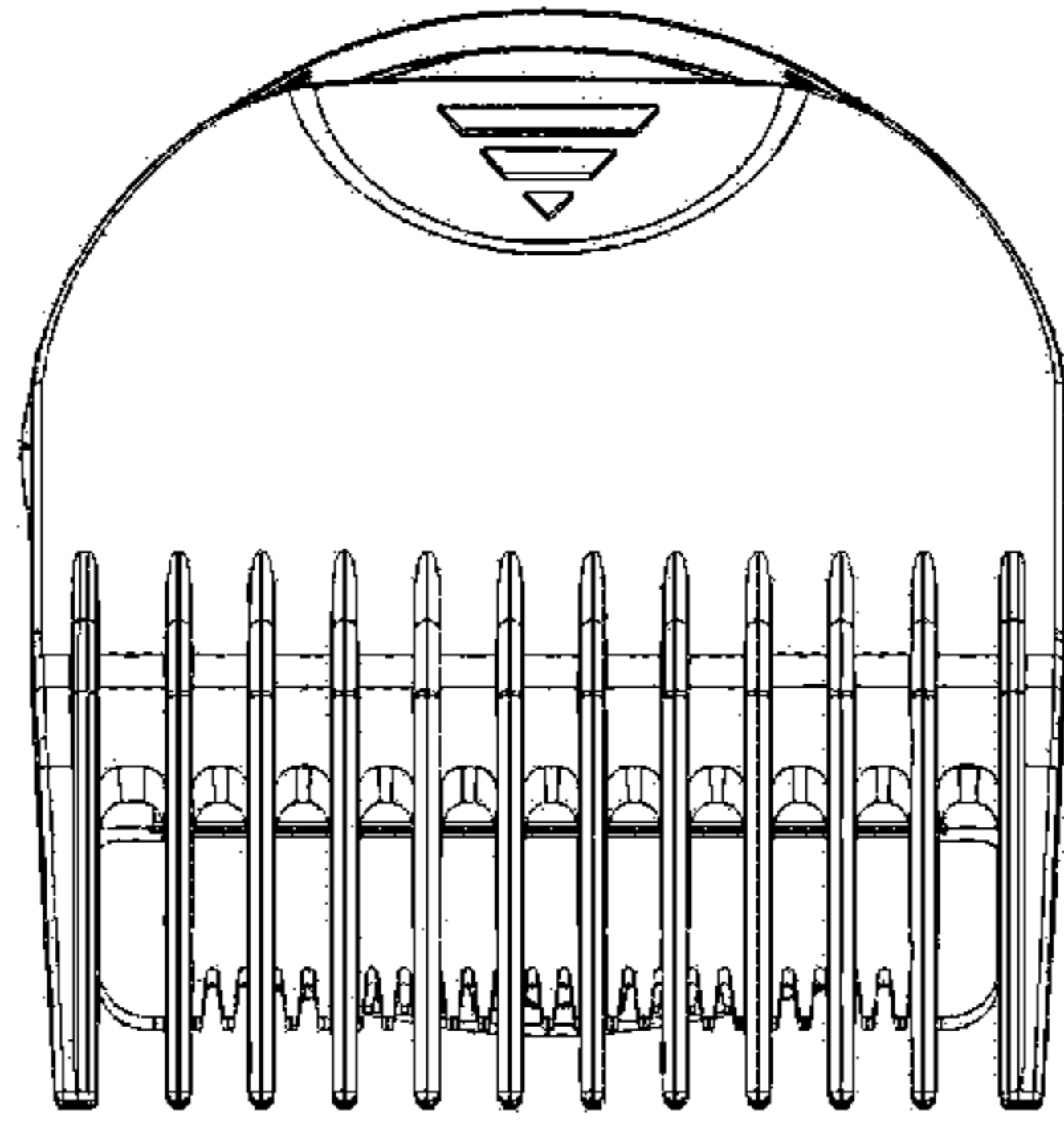


FIG. 6

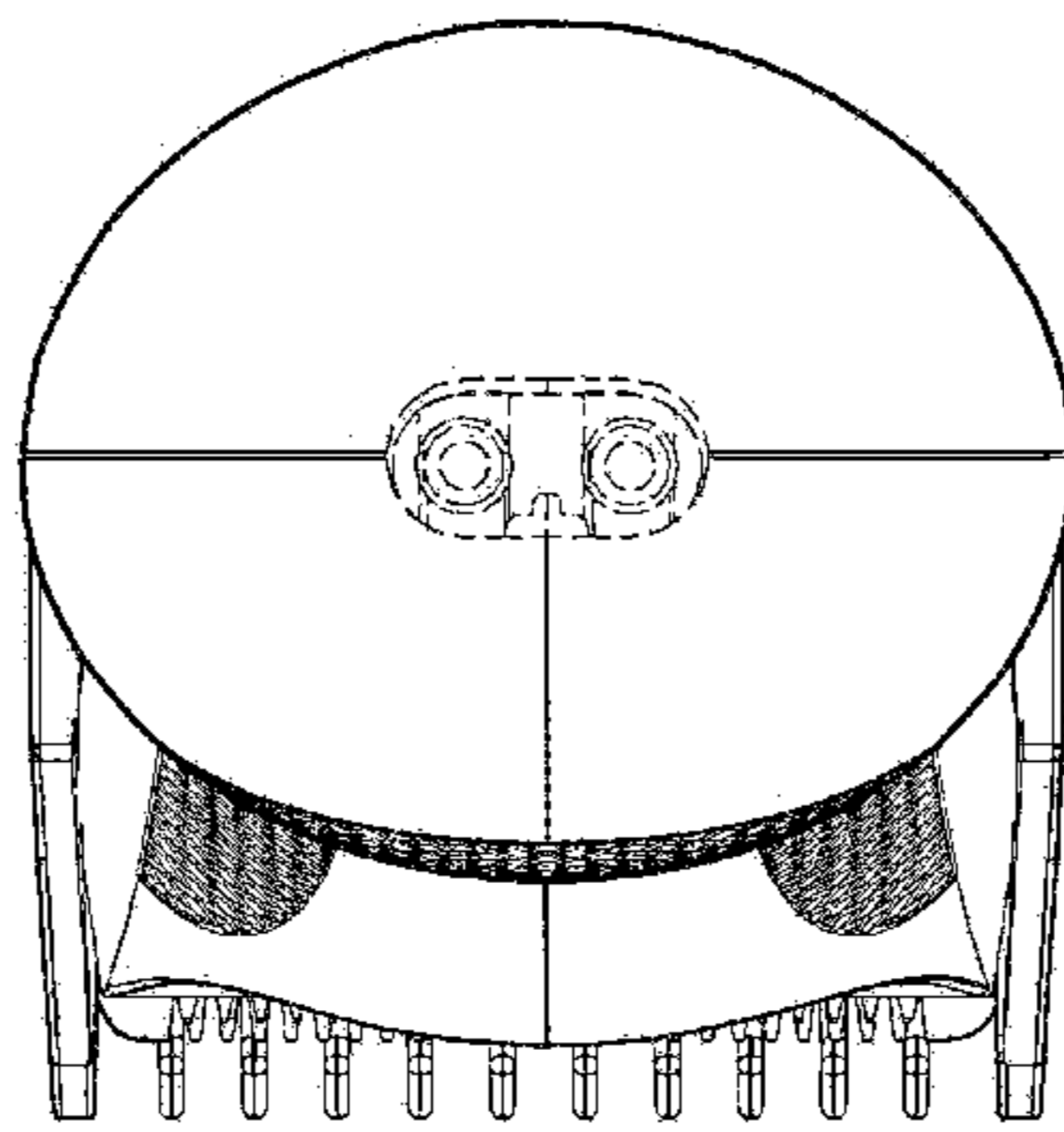


FIG. 7