



US00D908961S

(12) **United States Design Patent** (10) **Patent No.:** **US D908,961 S**  
**Yang** (45) **Date of Patent:** **\*\* Jan. 26, 2021**

(54) **LINT REMOVER**  
(71) Applicant: **Shenzhen 1Byone Technology Co., Ltd.**, Guangdong (CN)  
(72) Inventor: **Ruishi Yang**, Guangdong (CN)  
(\*\*) Term: **15 Years**  
(21) Appl. No.: **29/679,201**  
(22) Filed: **Feb. 4, 2019**  
(51) **LOC (13) Cl.** ..... **28-03**  
(52) **U.S. Cl.**  
USPC ..... **D28/50**  
(58) **Field of Classification Search**  
USPC ..... D28/49-54  
CPC . B26B 19/14; B26B 19/48; B26B 19/00-107;  
B26B 19/12-265; B26B 19/38; B26B  
19/3853-3866; B26B 19/3873-388; B26B  
19/46  
See application file for complete search history.

(56) **References Cited**

**U.S. PATENT DOCUMENTS**

D220,374 S \* 3/1971 Ono ..... D28/50  
D220,607 S \* 4/1971 Ono ..... D28/50  
D298,361 S \* 11/1988 Thaler ..... D28/50  
4,788,769 A \* 12/1988 Maruyama ..... A47L 25/08  
15/344  
4,839,964 A \* 6/1989 Uchiyama ..... B26B 19/141  
30/43.5  
4,899,442 A \* 2/1990 Horii ..... A47L 25/08  
30/133  
D307,957 S \* 5/1990 Mockovak ..... D28/50  
D310,890 S \* 9/1990 Ho ..... D28/50  
D314,642 S \* 2/1991 Ying ..... D28/50  
D319,564 S \* 9/1991 Okayasu ..... D8/61  
D321,115 S \* 10/1991 Henry ..... D8/61  
D455,228 S \* 4/2002 Hsu ..... D28/50  
D459,028 S \* 6/2002 Hsu ..... D28/50

D472,024 S \* 3/2003 Caldwell ..... B26B 19/14  
D32/32  
D476,444 S \* 6/2003 Hara ..... D28/50  
D495,831 S \* 9/2004 Hsu ..... D28/50  
D500,168 S \* 12/2004 Ho ..... D28/44  
D513,814 S \* 1/2006 Chen ..... D28/50  
D546,001 S \* 7/2007 McLachlan ..... D28/50  
D620,643 S \* 7/2010 Teteak ..... D28/50  
D671,267 S \* 11/2012 Hsu ..... D28/50  
D678,611 S \* 3/2013 Hsu ..... D28/50  
D808,077 S \* 1/2018 Boulanger ..... D28/50  
D824,104 S \* 7/2018 Boulanger ..... D28/51  
D828,626 S \* 9/2018 Hsu ..... D28/50  
D841,243 S \* 2/2019 Hsu ..... D28/50  
D841,244 S \* 2/2019 Hsu ..... D28/50  
D841,245 S \* 2/2019 Chen ..... D28/50  
D845,544 S \* 4/2019 Hsu ..... D28/50

(Continued)

**OTHER PUBLICATIONS**

<https://www.amazon.com/Philips-GC026-Electric-Removers-Clothes/dp/B00E3862DE> Philips GC026 Lint Remover, www.amazon.com, reviewed as early as 2018, 1 page. (Year: 2018).\*

*Primary Examiner* — Jennifer Rivard

(74) *Attorney, Agent, or Firm* — Prakash Nama; Global IP Services, PLLC

(57) **CLAIM**

The ornamental design for a lint remover, as shown.

**DESCRIPTION**

FIG. 1 is a front elevational view of a lint remover showing my new design;  
FIG. 2 is a rear elevational view thereof;  
FIG. 3 is a left side view thereof;  
FIG. 4 is a right side view thereof;  
FIG. 5 is a top plan view thereof;  
FIG. 6 is a bottom plan view thereof; and,  
FIG. 7 is a perspective view thereof.

**1 Claim, 6 Drawing Sheets**



(56)

**References Cited**

U.S. PATENT DOCUMENTS

D866,071 S \* 11/2019 Luo ..... D28/50  
2011/0308035 A1\* 12/2011 Casper ..... A01K 13/001  
15/344  
2020/0282580 A1\* 9/2020 McKinnis ..... B26B 19/384

\* cited by examiner

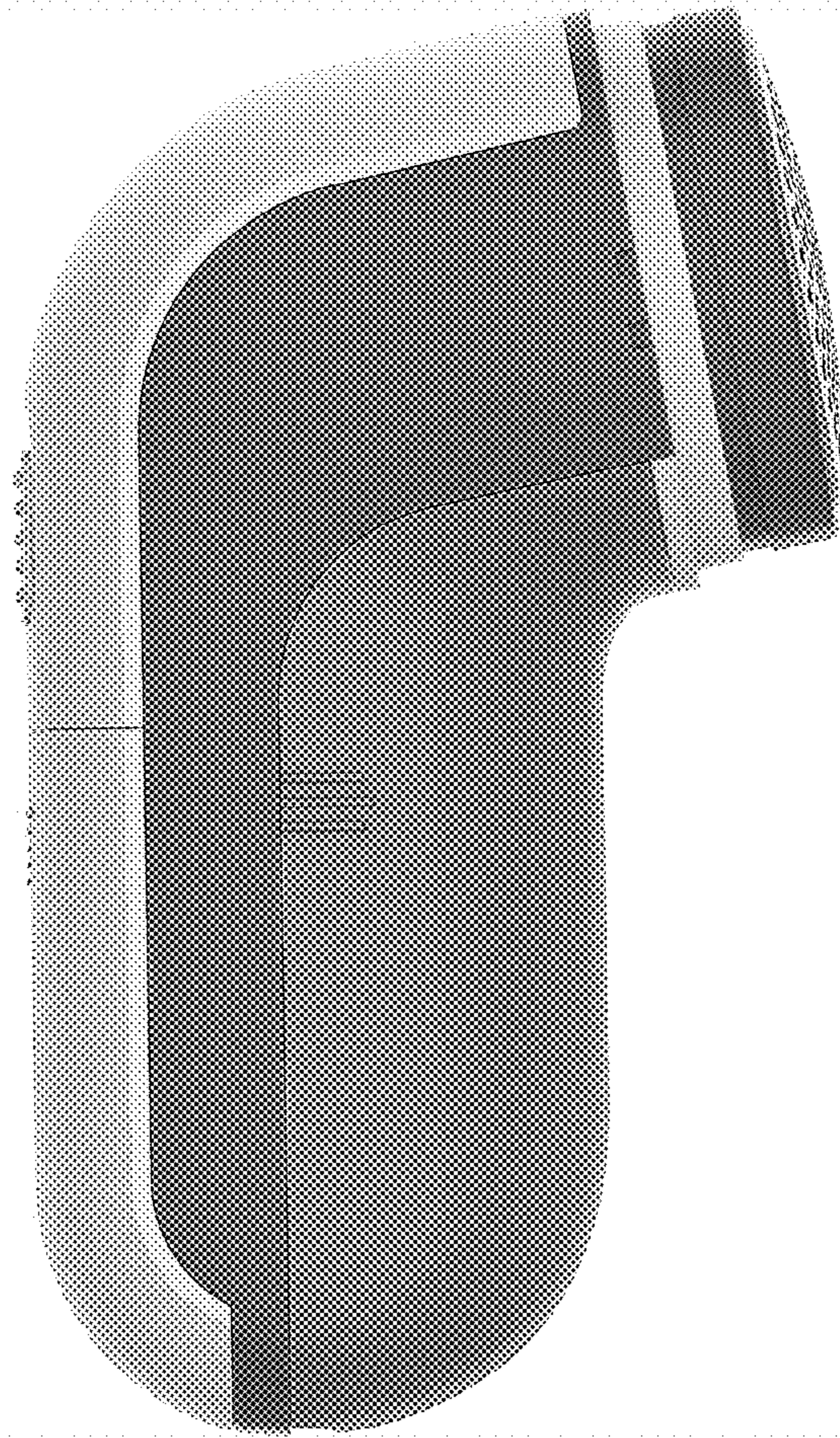


FIG. 1

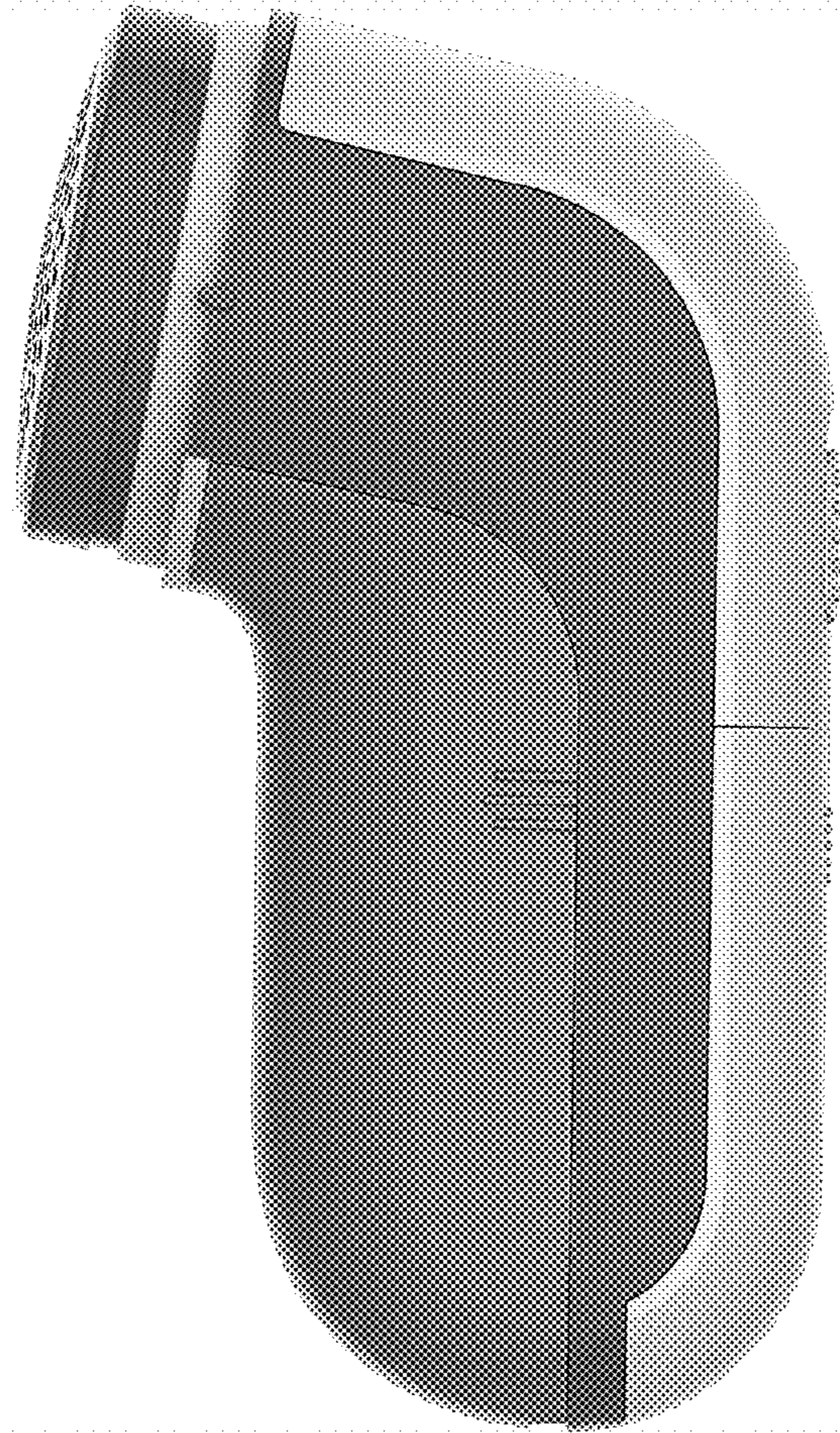


FIG. 2

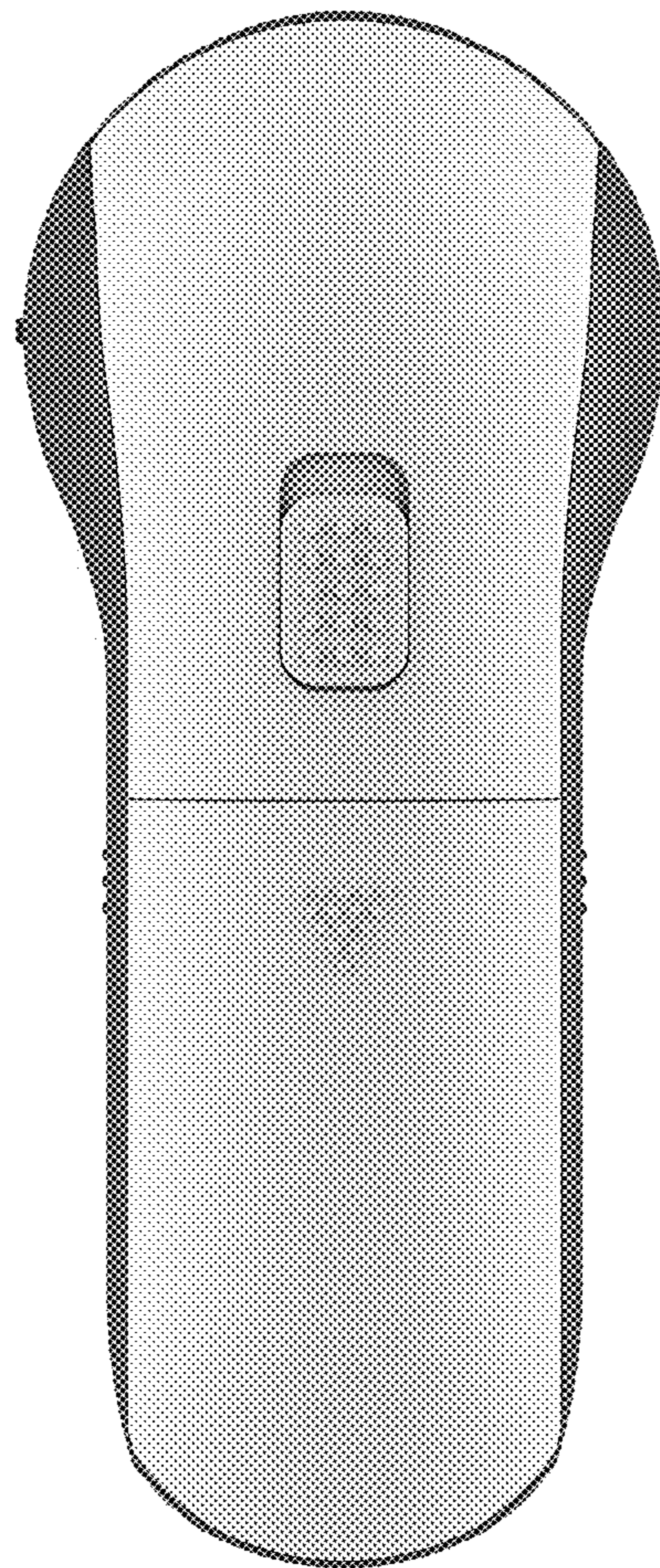


FIG. 3



FIG. 4

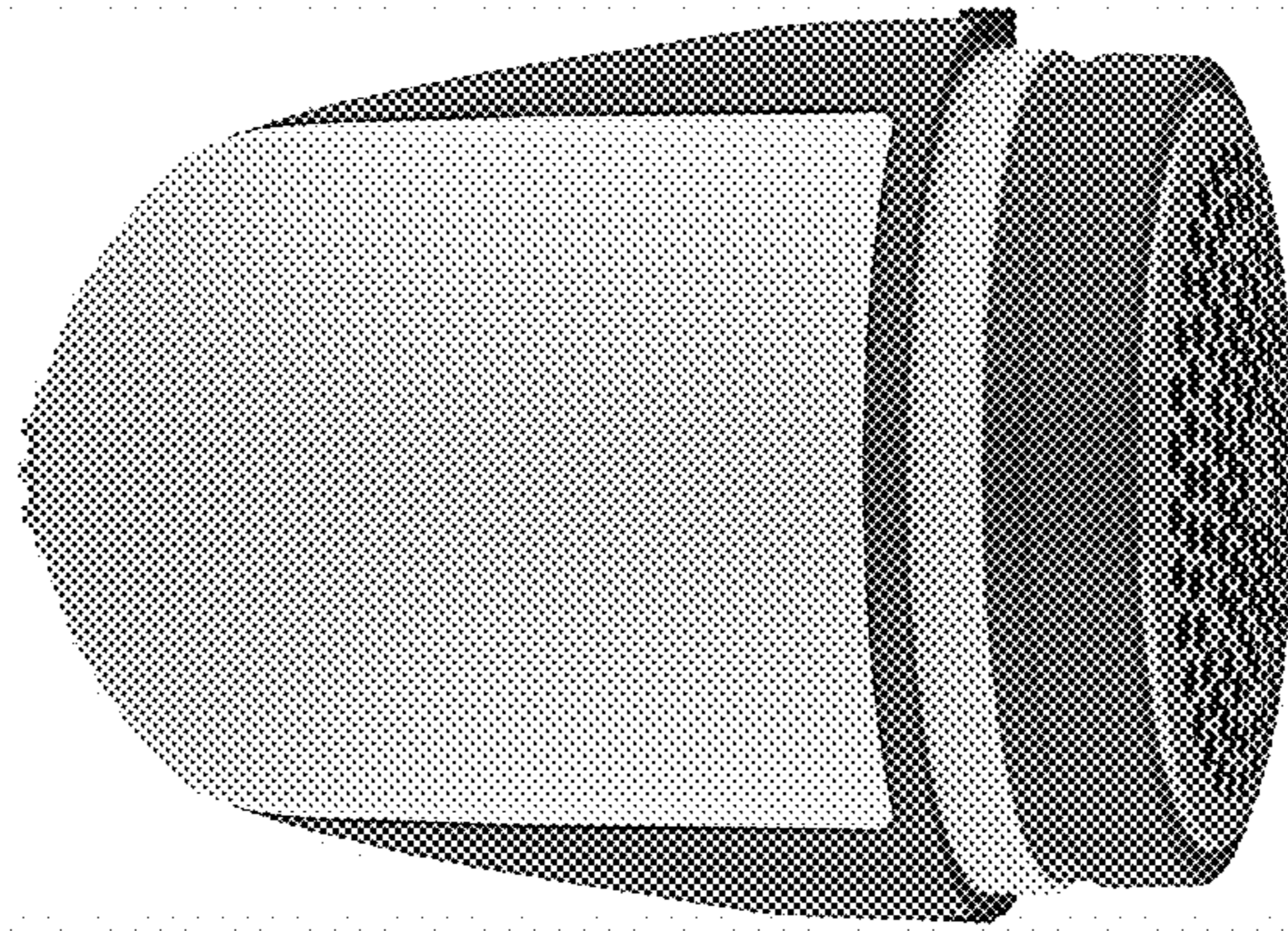


FIG. 5

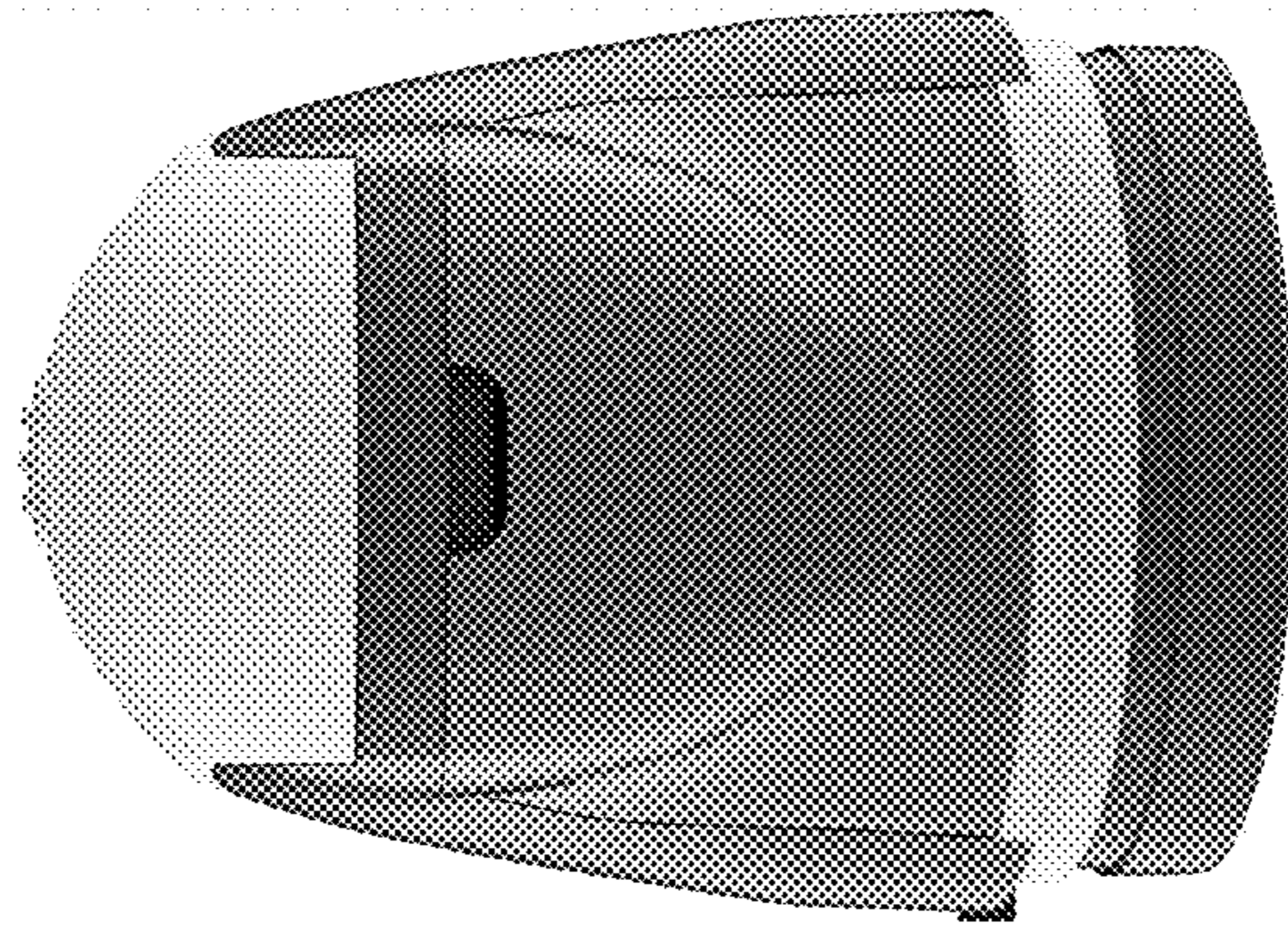


FIG. 6



FIG. 7