



US00D908958S

(12) **United States Design Patent**
Devarona et al.

(10) **Patent No.:** **US D908,958 S**

(45) **Date of Patent:** **** Jan. 26, 2021**

- (54) **RAZOR COMPONENT**
- (71) Applicant: **The Gillette Company LLC**, Boston, MA (US)
- (72) Inventors: **Natalie Anne Devarona**, Boston, MA (US); **Matthew Michael Long**, Methuen, MA (US); **Jahdiel Fyfield**, Roslindale, MA (US)
- (73) Assignee: **The Gillette Company LLC**, Boston, MA (US)
- (**) Term: **15 Years**
- (21) Appl. No.: **29/676,120**
- (22) Filed: **Jan. 8, 2019**
- (51) **LOC (13) Cl.** **28-03**
- (52) **U.S. Cl.**
USPC **D28/47**
- (58) **Field of Classification Search**
USPC D28/47, 54; D9/735, 736; D3/203.1, D3/205
CPC A45D 27/22-225; B26B 19/382; B26B 19/3826; B26B 19/3846; B26B 19/046; B26B 29/00; B26B 21/40; B26B 21/42; B26B 21/4018; B26B 21/4025; B26B 21/4037; B26B 21/4031; B65D 21/0204
See application file for complete search history.

- 4,601,392 A * 7/1986 Althaus B65D 59/00 206/349
- 4,777,722 A * 10/1988 Trotta B26B 21/44 206/349
- 4,996,772 A * 3/1991 Iten B26B 21/4037 30/123.3
- D403,954 S * 1/1999 Okada D9/735
- 5,865,189 A * 2/1999 Andrews B26B 21/00 132/200
- D407,531 S * 3/1999 Lee D28/47
- D417,146 S * 11/1999 St. Pierre D9/732
- 6,185,823 B1 * 2/2001 Brown B26B 21/00 30/50
- 6,185,827 B1 * 2/2001 Polites B26B 21/40 206/354
- D440,012 S * 4/2001 Lee D28/47
- D443,111 S * 5/2001 Nakasuka D28/47
- D449,710 S * 10/2001 Wonderley D28/46
- D612,992 S * 3/2010 Sennett D28/47
- D624,242 S * 9/2010 Bridges D28/47
- D651,344 S * 12/2011 Cataudella D28/47

(Continued)

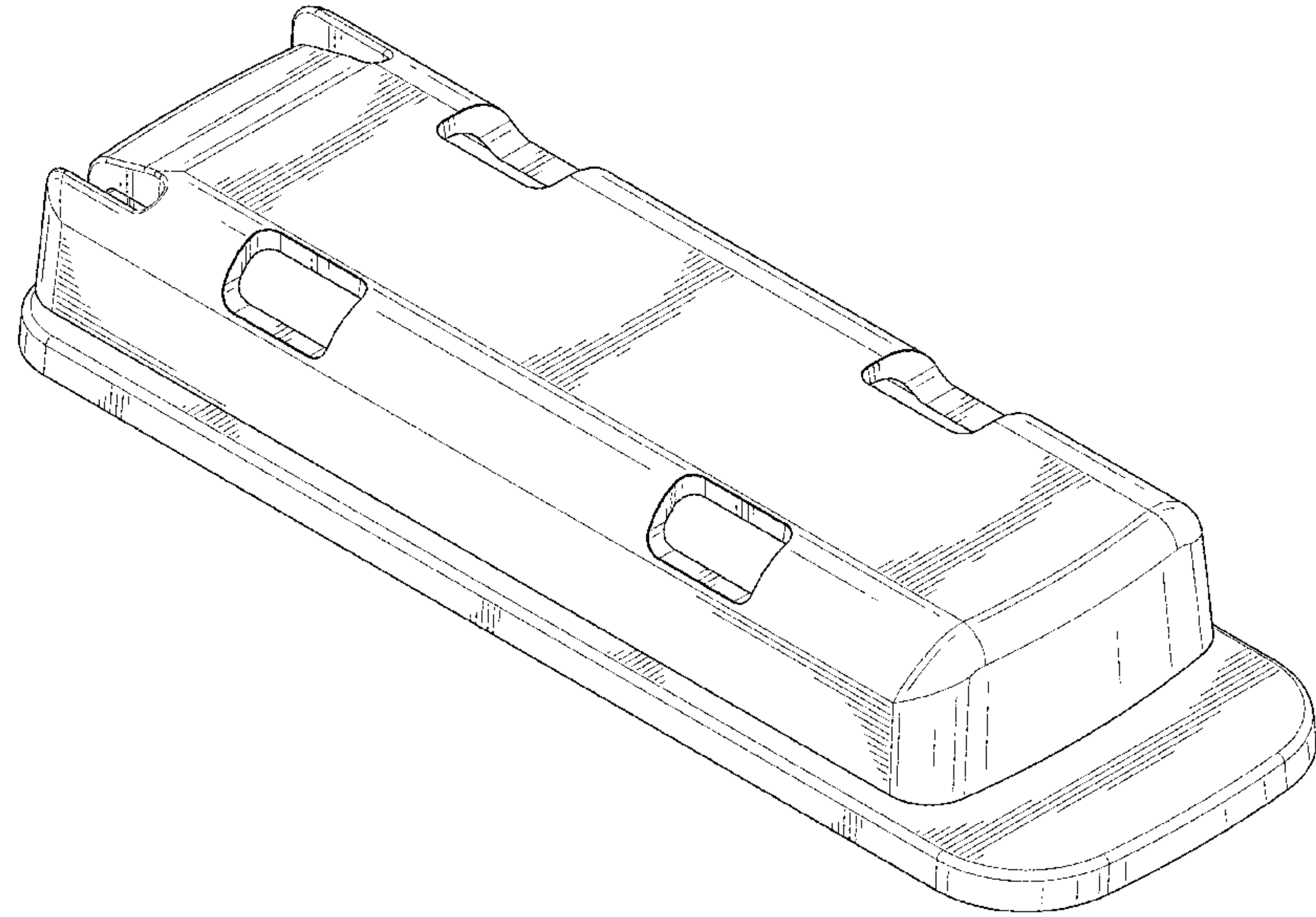
Primary Examiner — Jennifer Rivard
(74) *Attorney, Agent, or Firm* — Joanne N. Pappas; Kevin C. Johnson

(57) **CLAIM**
The ornamental design for a razor component, as shown and described.

DESCRIPTION
FIG. 1 is a front perspective view of a design of a razor component of the present invention;
FIG. 2 is a front view thereof;
FIG. 3 is a back view thereof;
FIG. 4 is a right side view thereof;
FIG. 5 is a left side view thereof;
FIG. 6 is a top view thereof;
FIG. 7 is a bottom view thereof; and,
FIG. 8 is rear perspective view thereof.

1 Claim, 6 Drawing Sheets

- (56) **References Cited**
U.S. PATENT DOCUMENTS
D162,283 S * 3/1951 Bowen et al. D9/735
3,388,468 A * 6/1968 Hamill B26B 29/00 30/540
3,408,737 A * 11/1968 Steere, Jr. B26B 29/00 30/540
3,530,574 A * 9/1970 Patterson B26B 21/40 30/540
D274,010 S * 5/1984 Iten D28/47



(56)

References Cited

U.S. PATENT DOCUMENTS

D720,628 S * 1/2015 Erdmann D9/735
10,188,189 B1 * 1/2019 McNally A45D 27/225
D872,363 S * 1/2020 Devarona D28/47
D874,062 S * 1/2020 McGarry D28/47
2004/0040960 A1 * 3/2004 Gledhill B65D 21/0204
220/23.4
2011/0203124 A1 * 8/2011 Bridges B26B 21/4037
30/539
2017/0035177 A1 * 2/2017 Cataudella B26B 21/40

* cited by examiner

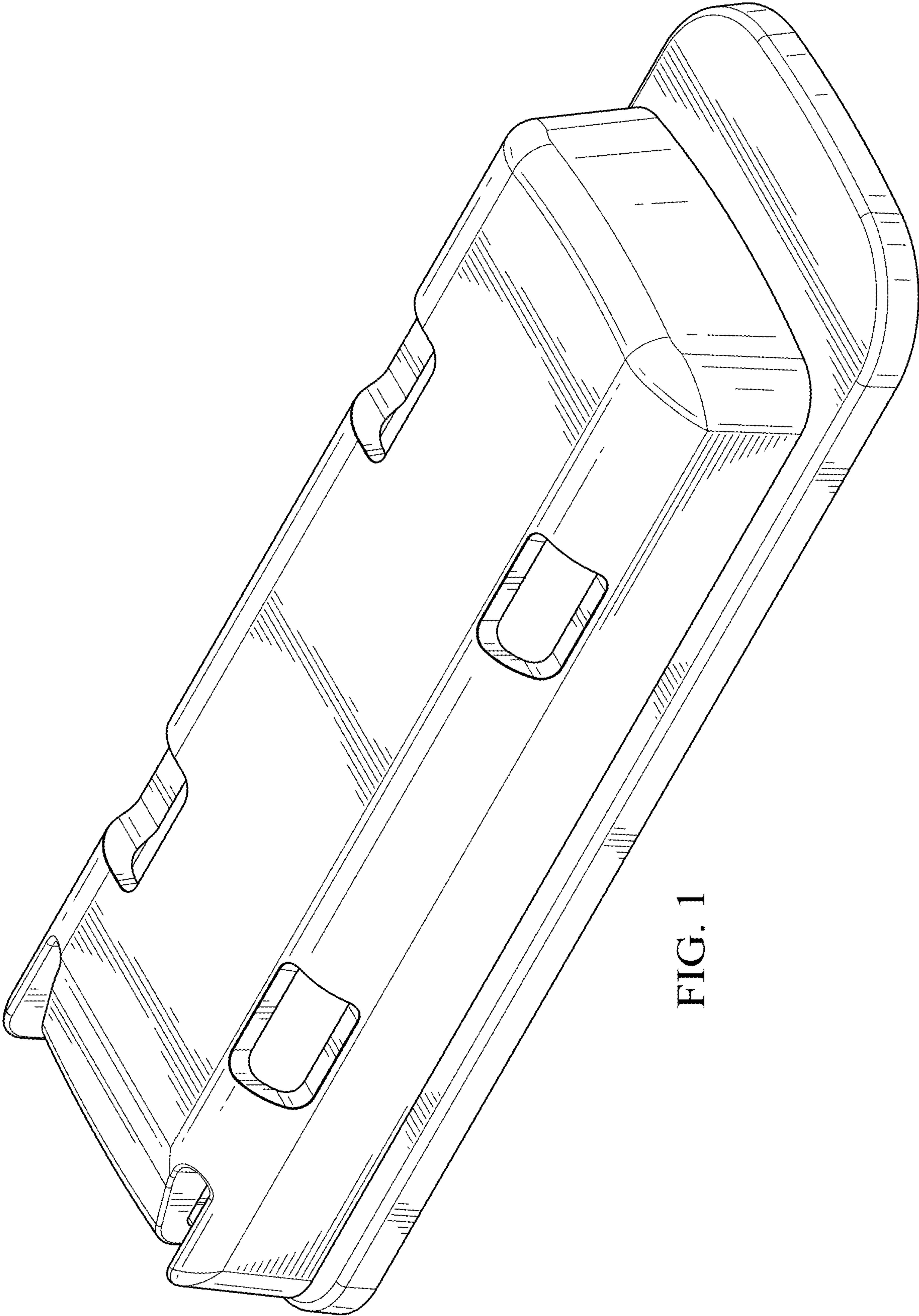


FIG. 1

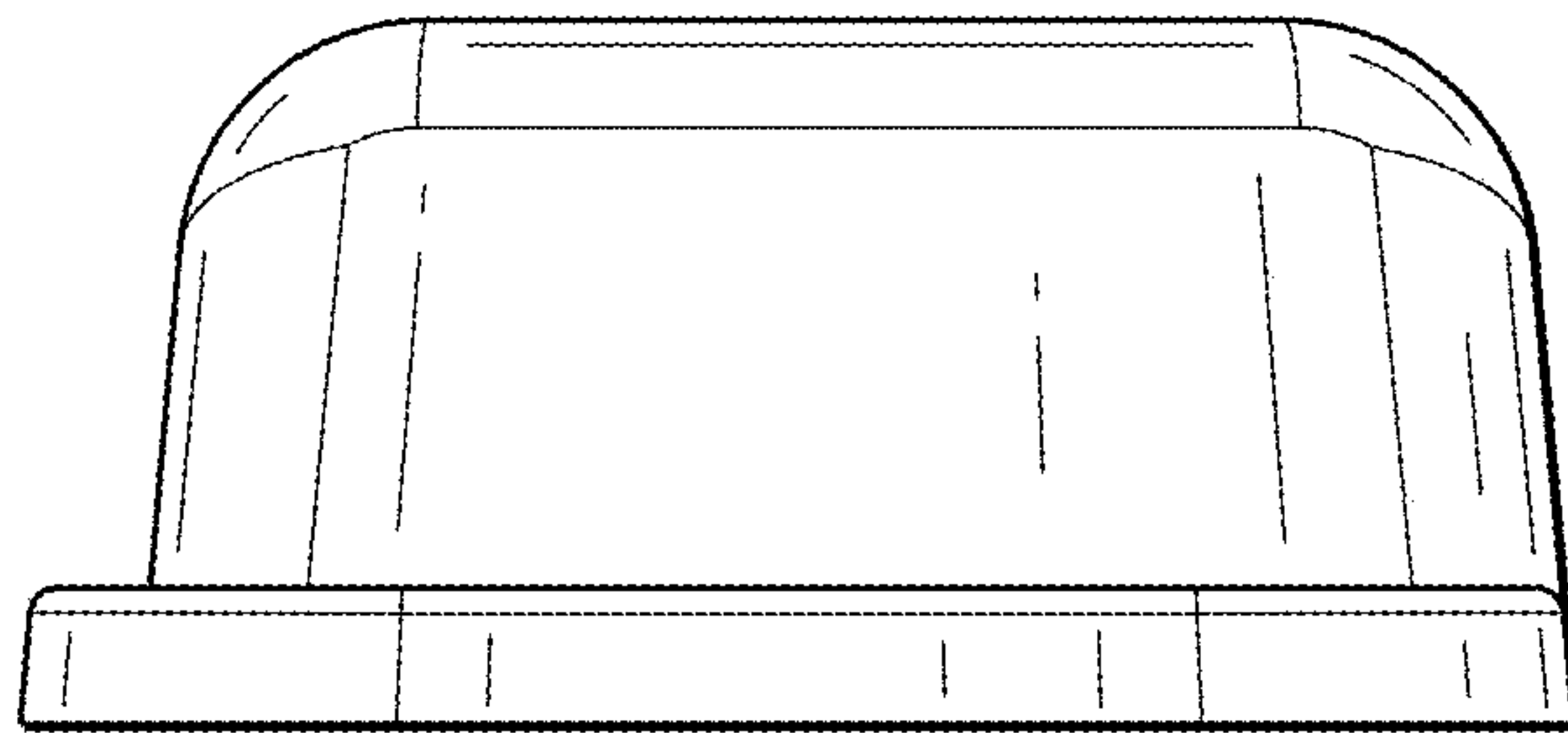


FIG. 2

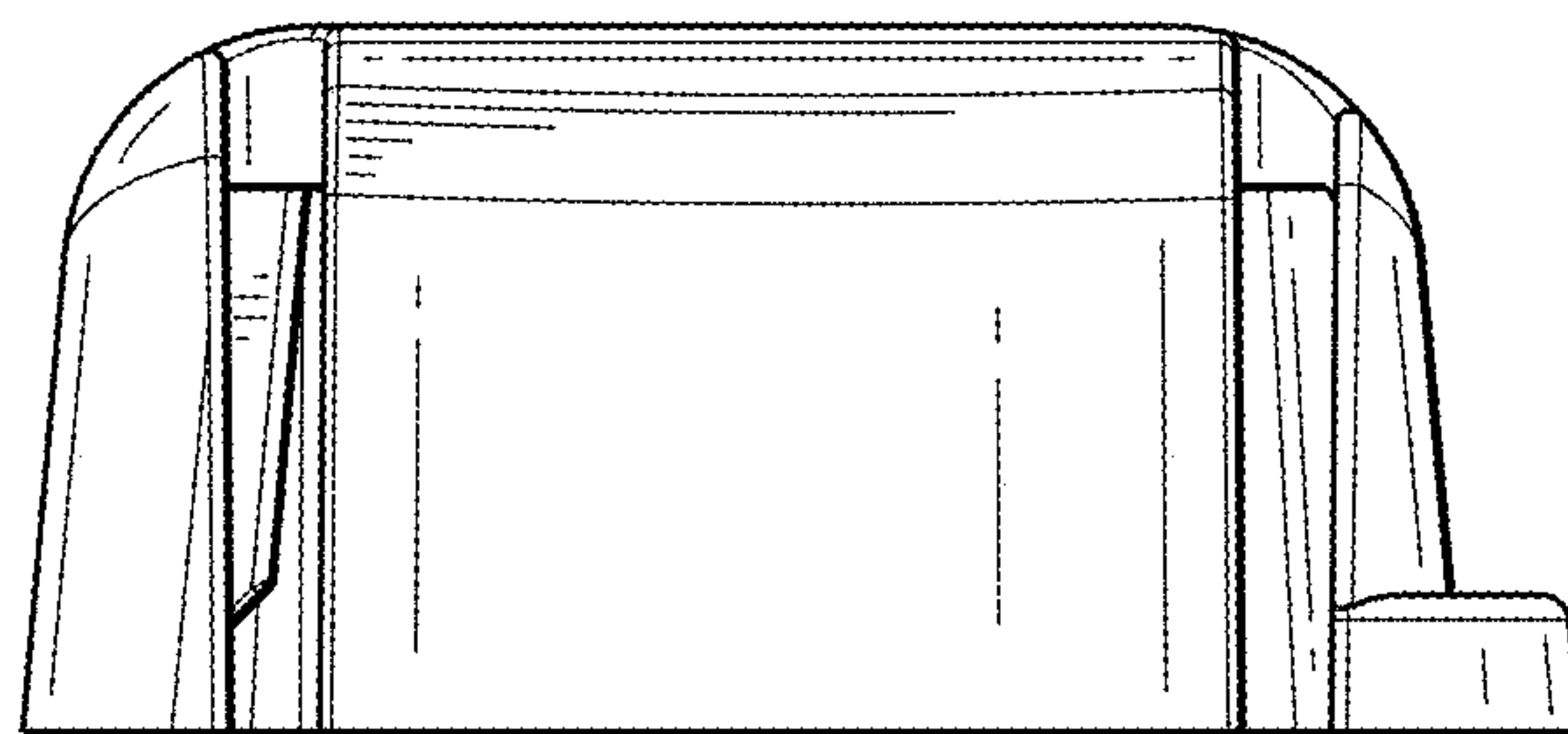


FIG. 3

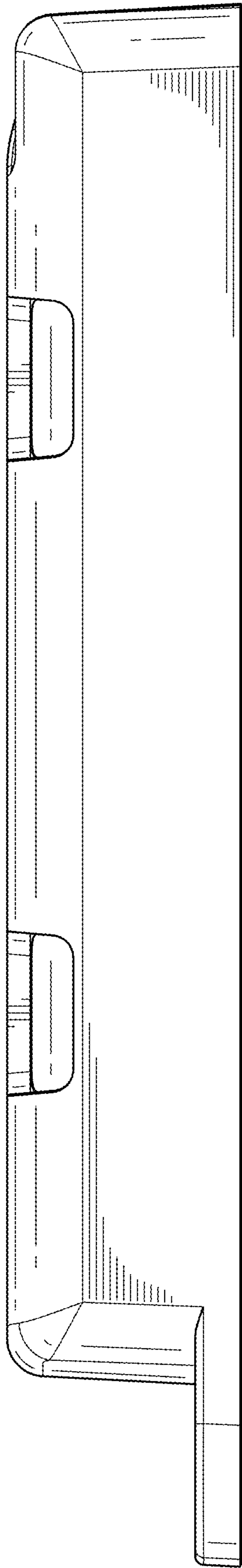


FIG. 4

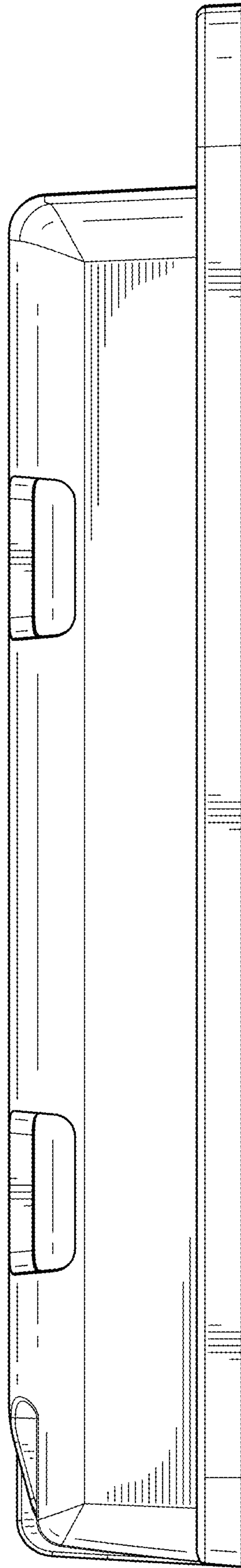


FIG. 5

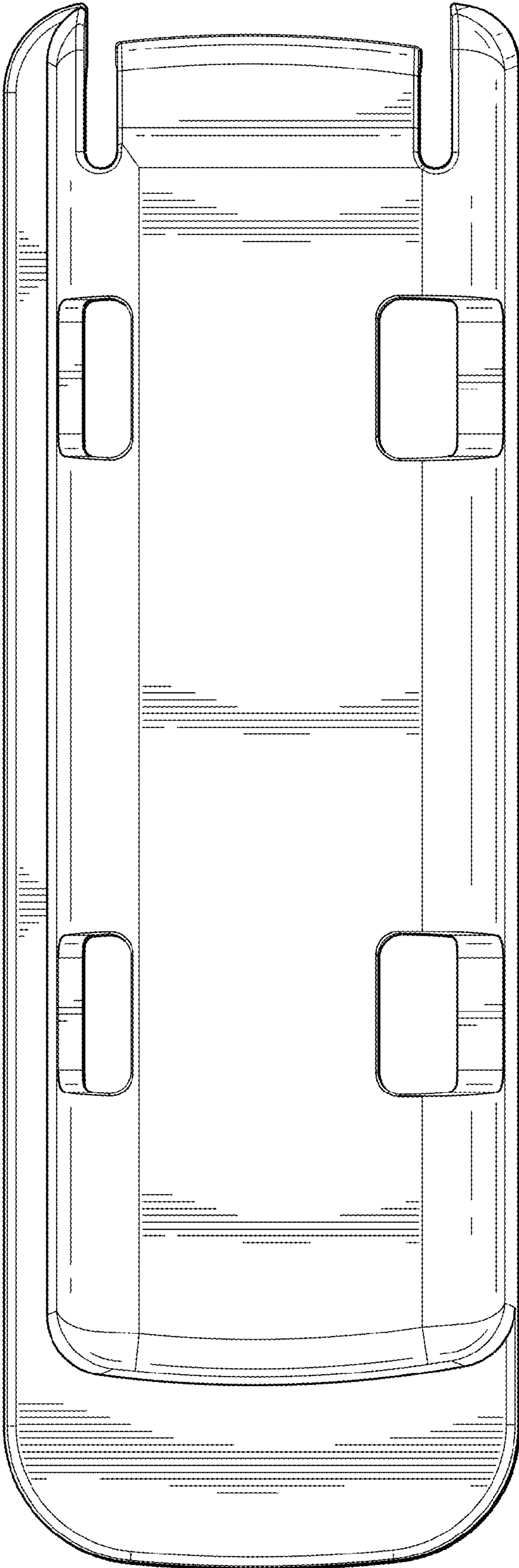


FIG. 6

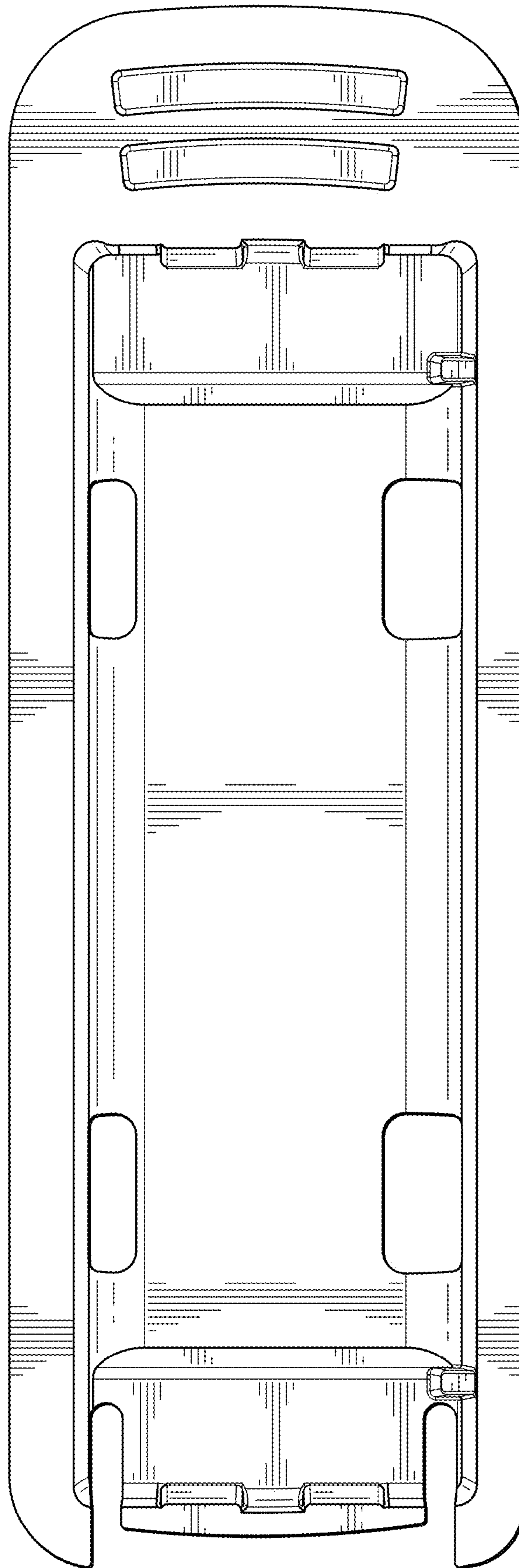


FIG. 7

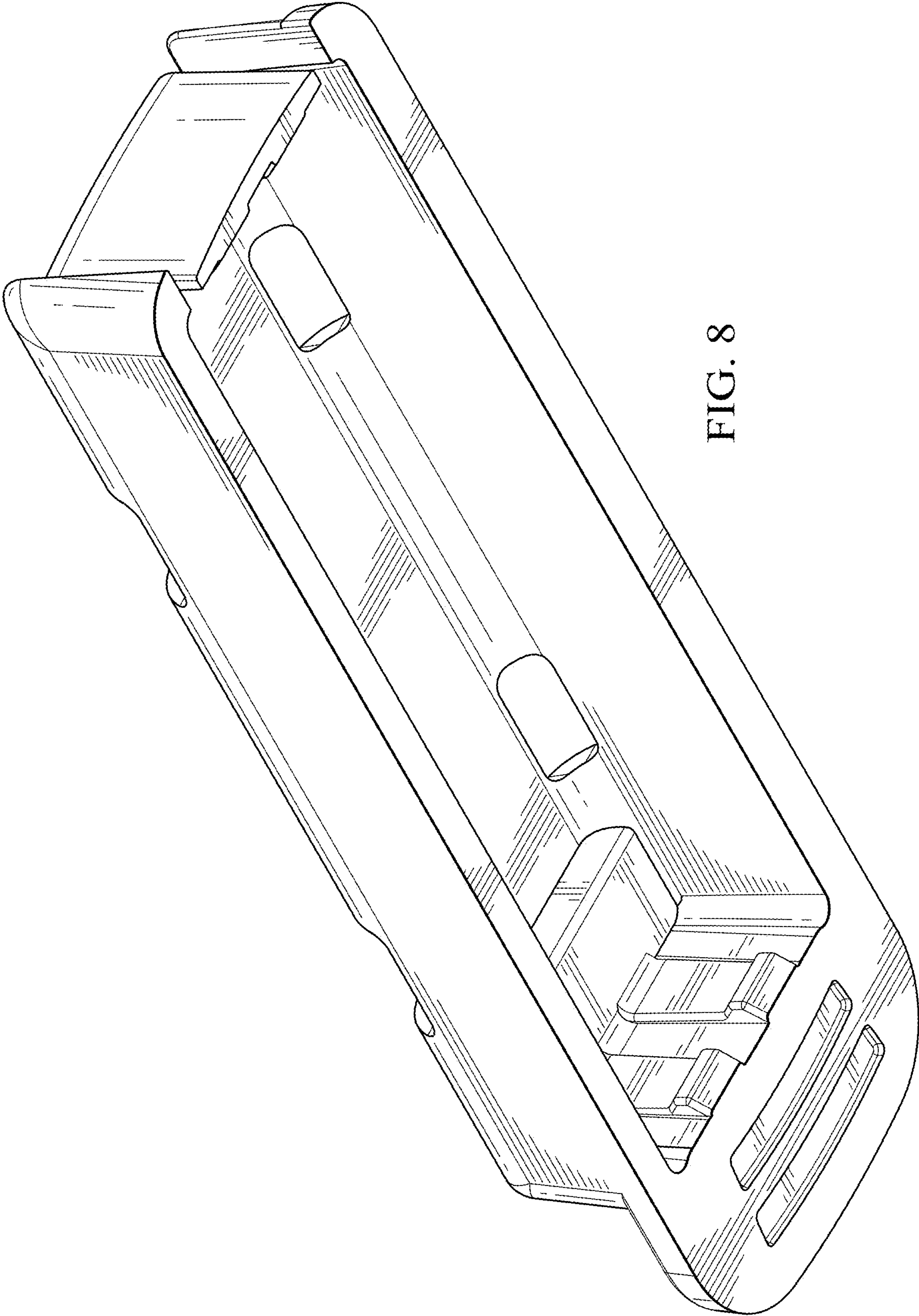


FIG. 8