



US00D908956S

(12) **United States Design Patent**  
**Kwok**

(10) **Patent No.: US D908,956 S**  
(45) **Date of Patent: \*\* Jan. 26, 2021**

(54) **HAIR DRYING BRUSH**

FOREIGN PATENT DOCUMENTS

(71) Applicant: **KENFORD INDUSTRIAL COMPANY LTD.**, New Territories (HK)

CN	304060220	*	2/2017
CN	304388770	*	12/2017
GB	6078213	*	12/2019
GB	6080126	*	1/2020
JP	D1251017	*	9/2005
WO	WO-D076553-002	*	2/2020

(72) Inventor: **Kin Sun Kwok**, New Territories (HK)

(73) Assignee: **KENFORD INDUSTRIAL COMPANY LTD.**, New Territories (HK)

OTHER PUBLICATIONS

(\*\*) Term: **15 Years**

Hair Dryer Brush, Hot Air Brush for Fast Drying . . . [on-line]. [Original publication date unknown.] [Retrieved from the Internet Sep. 21, 2020.] (Year: 2020).\*

Meraif electric hair curling brush [on-line]. [Original publication date unknown.] [Retrieved from the Internet Jun. 13, 2020.] URL: ><http://www.wickonsmt.com/sale-11488235-meraif-hot-sale-2-in-1-hair-straightener-curling-iron-brush-rotating-electric-ionic-hair-brush.html>< (Year: 2020).\*

(21) Appl. No.: **29/738,626**

(22) Filed: **Jun. 18, 2020**

(51) **LOC (13) Cl.** ..... **D28-03**

(52) **U.S. Cl.**  
USPC ..... **D28/35; D4/100**

(58) **Field of Classification Search**  
USPC ..... D4/100, 102, 127, 128, 130, 132, 134, D4/135, 136, 137, 138, 199; D28/10, 13, D28/25, 26, 28, 35  
CPC ..... A45D 20/00; A45D 20/08; A45D 20/50; A45D 20/52  
See application file for complete search history.

\* cited by examiner

*Primary Examiner* — Karen E Eldridge Powers  
(74) *Attorney, Agent, or Firm* — Rabin & Berdo, P.C.

(57) **CLAIM**

The ornamental design for a hair drying brush, as shown and described.

(56) **References Cited**

**DESCRIPTION**

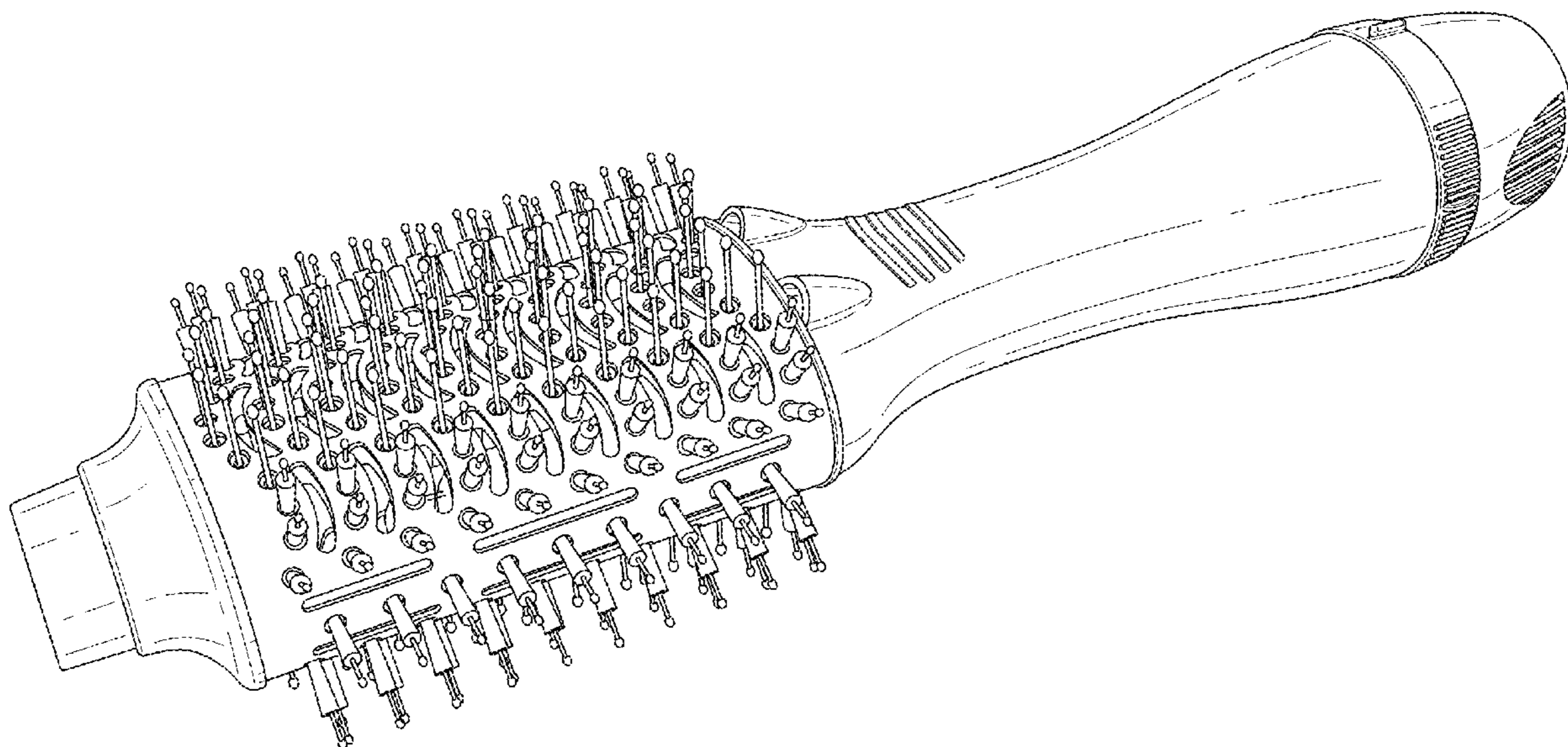
U.S. PATENT DOCUMENTS

D471,718 S *	3/2003	Park	.....	D4/133
D472,052 S *	3/2003	Park	.....	D4/119
D537,566 S *	2/2007	Kondo	.....	D28/13
D846,888 S *	4/2019	Rosenzweig	.....	D4/136
D879,374 S *	3/2020	Liao	.....	D28/13
D880,061 S *	3/2020	Liao	.....	D28/15
D889,921 S *	7/2020	Lei	.....	D8/29.1
D891,887 S *	8/2020	Lei	.....	D8/29.1
2015/0135455 A1 *	5/2015	Reusche	.....	A46B 9/023

15/160

FIG. 1 is a top and front perspective view of a hair drying brush showing my new design;  
 FIG. 2 is a top plan view thereof;  
 FIG. 3 is a bottom plan view thereof;  
 FIG. 4 is a front elevation view thereof;  
 FIG. 5 is a rear elevation view thereof;  
 FIG. 6 is a left side elevation view thereof; and,  
 FIG. 7 is a right side view thereof.

**1 Claim, 6 Drawing Sheets**



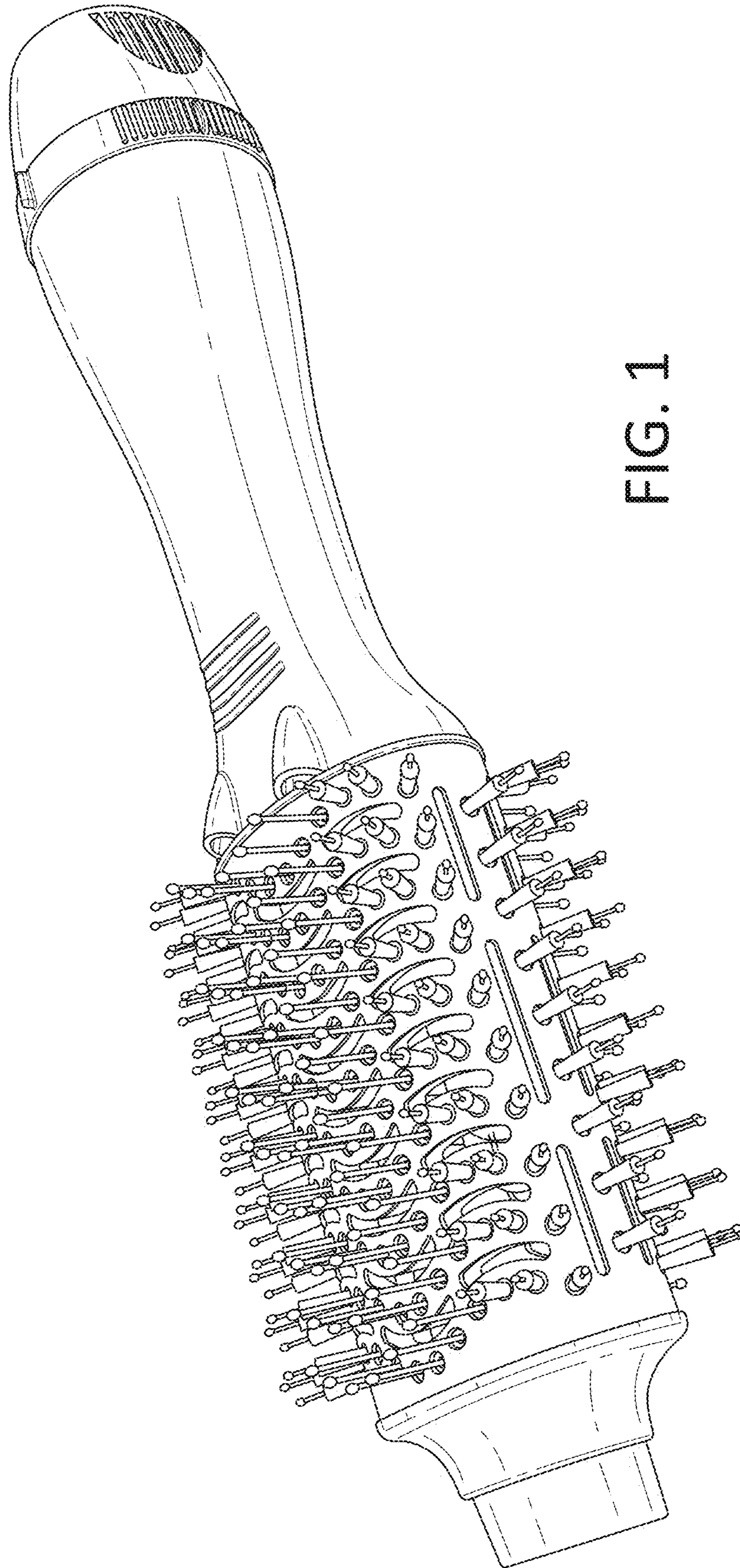


FIG. 1

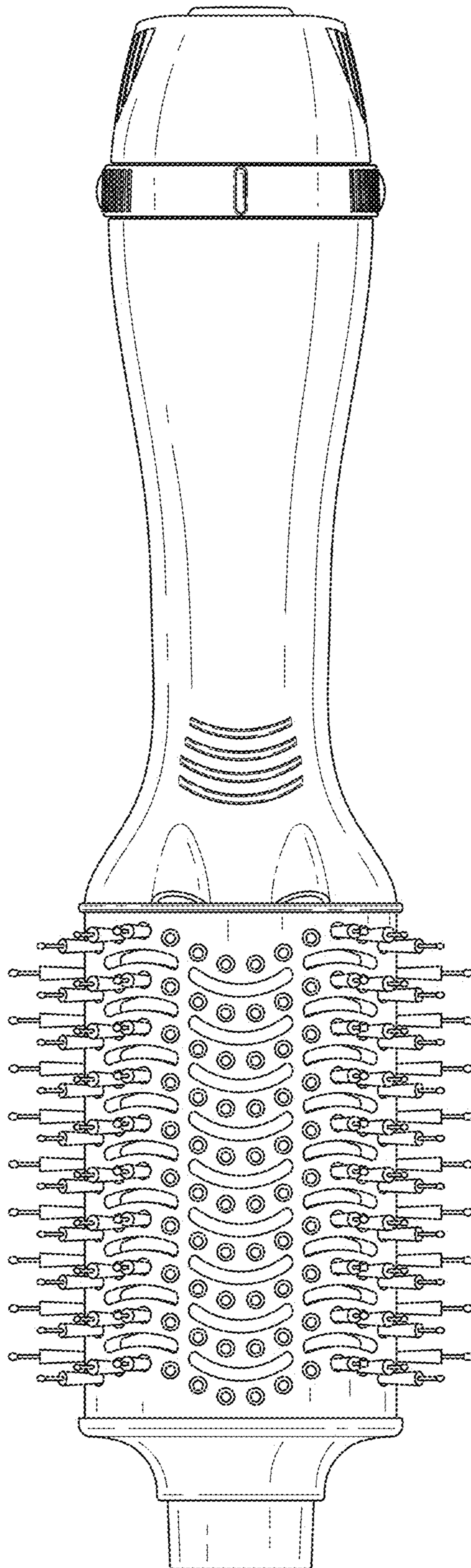


FIG. 2

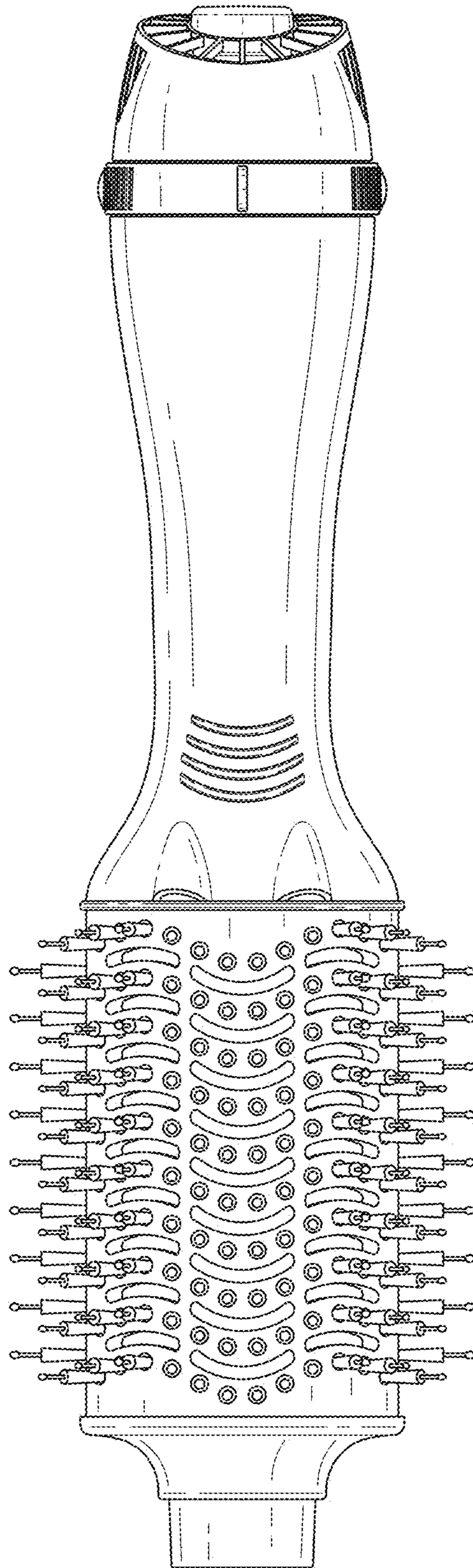


FIG. 3

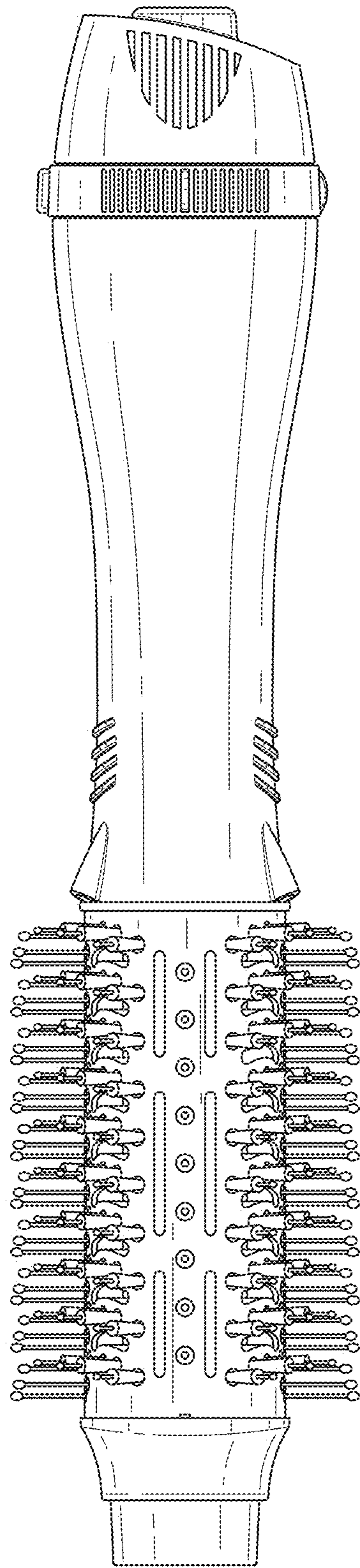


FIG. 4

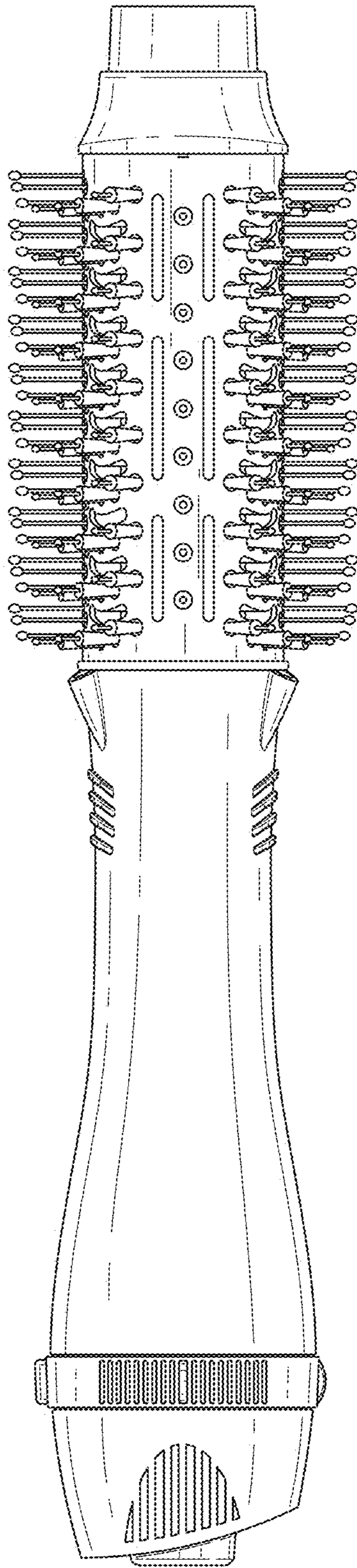


FIG. 5

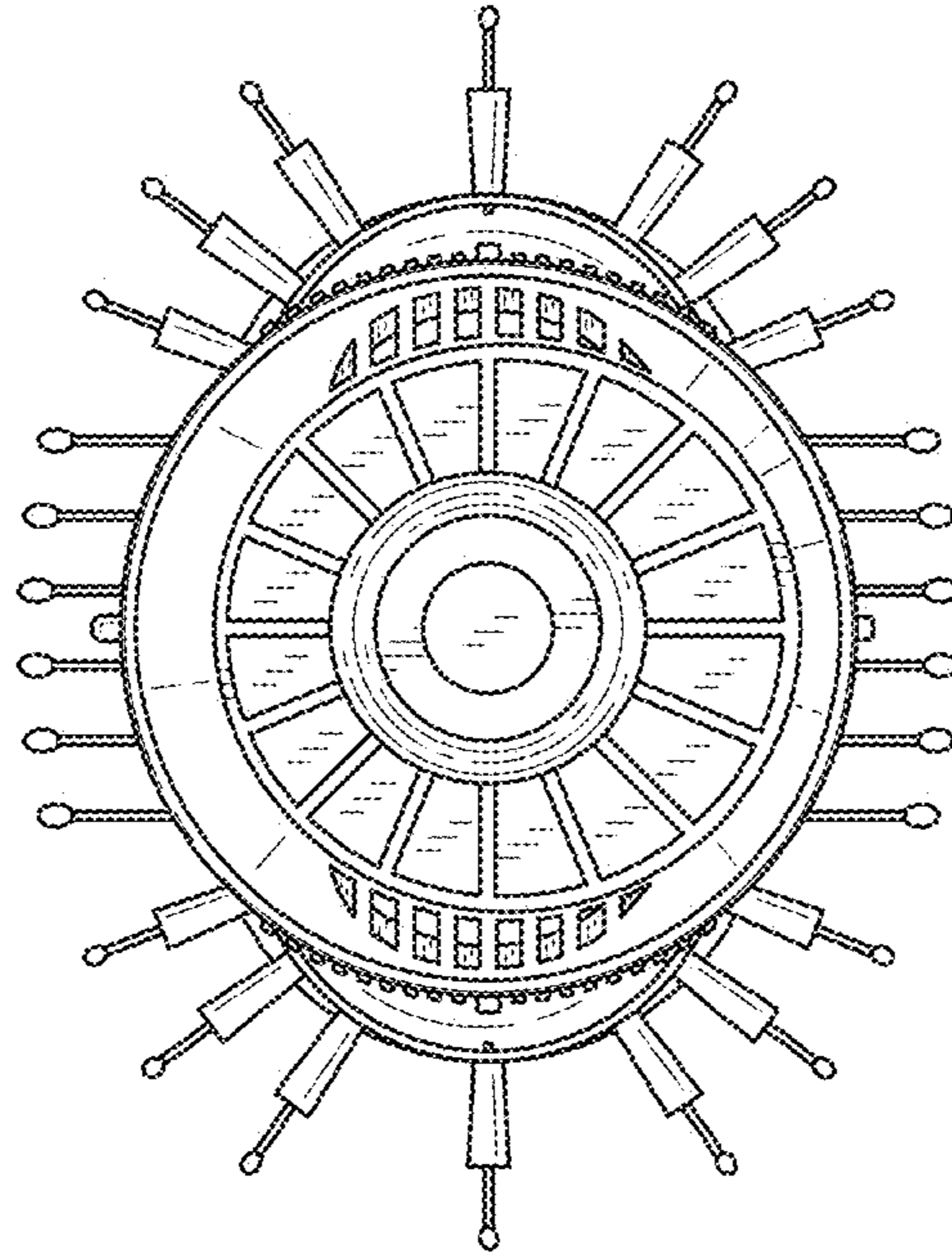


FIG. 7

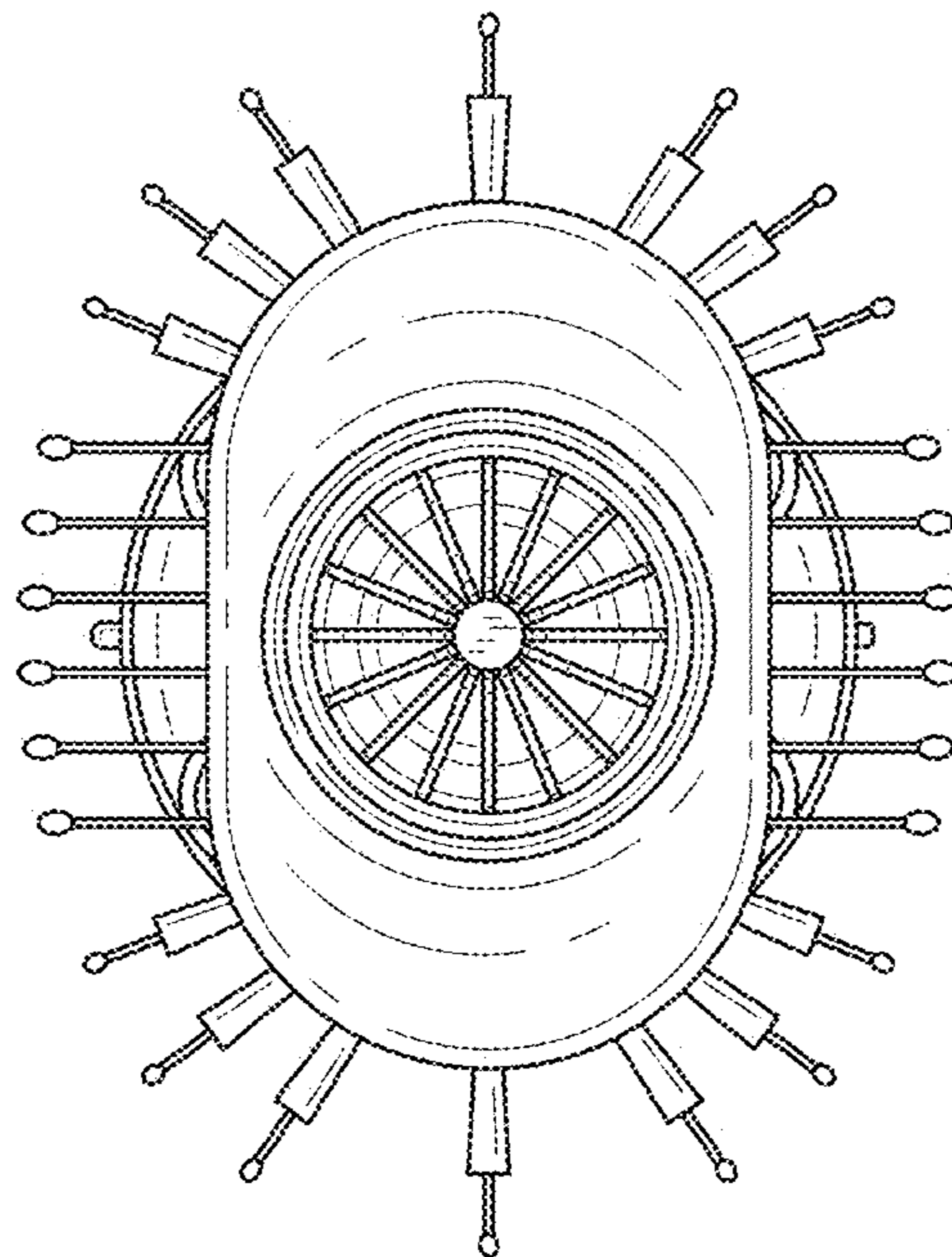


FIG. 6