



US00D908952S

(12) **United States Design Patent** (10) **Patent No.:** **US D908,952 S**
Guo (45) **Date of Patent:** **** Jan. 26, 2021**

(54) **ELECTRONIC CIGARETTE**
(71) Applicant: **Shenzhen Itsuwa Electron Co., Ltd,**
Shenzhen (CN)
(72) Inventor: **Ruyun Guo,** Shenzhen (CN)
(73) Assignee: **Shenzhen Itsuwa Electron Co., Ltd,**
Shenzhen (CN)
(**) Term: **15 Years**

D819,881 S * 6/2018 Qiu D27/101
9,986,764 B2 * 6/2018 Watson A24F 7/02
D825,102 S * 8/2018 Bowen D27/167
D827,195 S * 8/2018 Chen D27/101
D829,371 S * 9/2018 Durand D27/101
D829,980 S * 10/2018 Qiu D27/162
D832,499 S * 10/2018 Qiu D27/162
D832,500 S * 10/2018 Qiu D27/162
10,104,915 B2 * 10/2018 Bowen A24F 40/42
D833,063 S * 11/2018 Qiu D27/101
D834,246 S * 11/2018 Qiu D27/162

(Continued)

(21) Appl. No.: **29/697,616**
(22) Filed: **Jul. 10, 2019**

FOREIGN PATENT DOCUMENTS

CN 304653114 * 5/2018

(30) **Foreign Application Priority Data**

OTHER PUBLICATIONS

Apr. 24, 2019 (CN) 2019 3 0192723

Voom. by Voom Labs. dated Jul. 5, 2019. found online [Sep. 18, 2020]. <https://www.youtube.com/watch?v=30O8L4WWfo8>.*

(51) **LOC (13) Cl.** **27-01**

Primary Examiner — Marissa J Cash

(52) **U.S. Cl.**
USPC **D27/101**

(74) *Attorney, Agent, or Firm* — ScienBiziP, P.C.

(58) **Field of Classification Search**
USPC D27/100, 101, 162, 163–169, 172–193,
D27/194; D23/355, 356, 359, 360;
D13/107

(57) **CLAIM**

The ornamental design for an electronic cigarette, as shown and described.

CPC A24F 47/008; A24F 40/10; A24F 47/002;
A24F 15/12; A24F 47/006; A24F 40/00
See application file for complete search history.

DESCRIPTION

(56) **References Cited**

FIG. 1 is a first perspective view of an electronic cigarette, showing my design.

U.S. PATENT DOCUMENTS

FIG. 2 is a second perspective view thereof.

D532,927 S * 11/2006 Sann D27/101
D779,719 S * 2/2017 Qiu D27/101
D792,643 S * 7/2017 Wong D27/101
D799,110 S * 10/2017 Qiu D27/101
D799,113 S * 10/2017 Qiu D27/101
D799,744 S * 10/2017 Qiu D27/101
D808,071 S * 1/2018 Folkerts D27/101
D813,447 S * 3/2018 Watson D27/162
D815,341 S * 4/2018 Qiu D27/101
D818,636 S * 5/2018 Qiu D27/101
D819,263 S * 5/2018 Zhu D27/101

FIG. 3 is a front elevation view thereof.

FIG. 4 is a rear elevation view thereof.

FIG. 5 is a left side elevation view thereof.

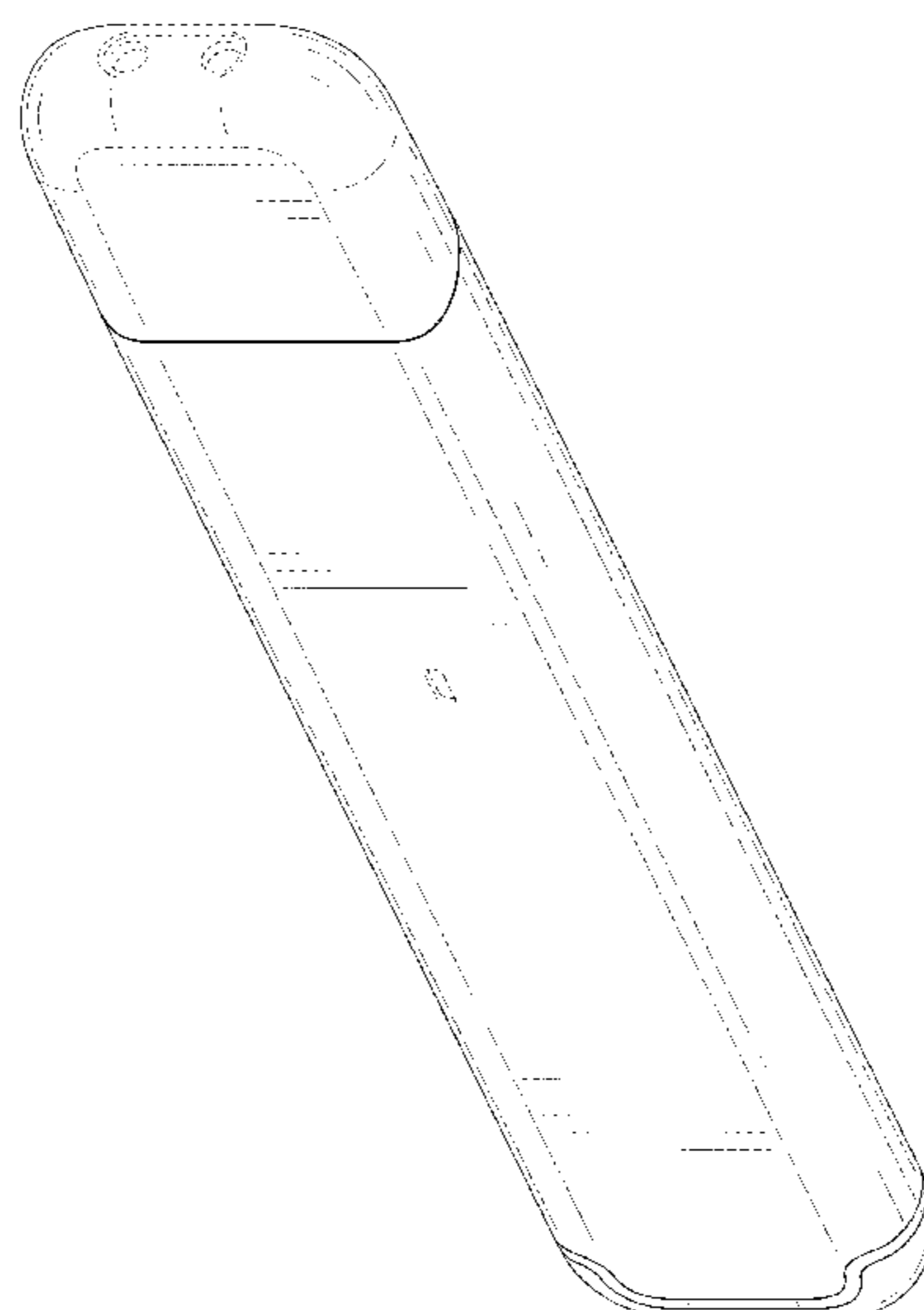
FIG. 6 is a right side elevation view thereof.

FIG. 7 is a top plan view thereof; and,

FIG. 8 is a bottom plan view thereof.

The details shown in broken lines form no part of the claimed design.

1 Claim, 8 Drawing Sheets



(56)

References Cited

U.S. PATENT DOCUMENTS

D835,337 S * 12/2018 Beer D27/162
 D837,446 S * 1/2019 Durand D27/101
 10,292,436 B2 * 5/2019 Cirillo A24D 1/14
 D853,633 S * 7/2019 Zeng D27/162
 D855,251 S * 7/2019 Qiu D27/162
 D855,877 S * 8/2019 Folkerts D27/162
 D859,735 S * 9/2019 Qiu D27/162
 D861,239 S * 9/2019 Chen D27/101
 D861,975 S * 10/2019 Bowen D27/162
 D863,665 S * 10/2019 Huang D27/101
 D863,674 S * 10/2019 Chang D27/162
 D864,470 S * 10/2019 Huang D27/101
 D864,474 S * 10/2019 Smith D27/162
 D866,852 S * 11/2019 Cividi D27/101
 D869,085 S * 12/2019 Campbell D27/162
 D870,369 S * 12/2019 Greenbaum D27/162
 D870,372 S * 12/2019 Zhu D27/167

D870,959 S * 12/2019 Leon Duque D27/162
 D876,004 S * 2/2020 Wang D27/101
 D877,971 S * 3/2020 Bowen D27/101
 D877,976 S * 3/2020 Ding D27/162
 D880,055 S * 3/2020 Luo D27/162
 10,588,356 B2 * 3/2020 Harrison A24F 7/02
 D881,457 S * 4/2020 Ouyang D27/162
 10,609,962 B2 * 4/2020 Zhu A24F 40/50
 10,631,576 B1 * 4/2020 Chen A24F 40/42
 D885,654 S * 5/2020 Ding D27/162
 D885,655 S * 5/2020 Ding D27/162
 D885,656 S * 5/2020 Clough D27/162
 D888,326 S * 6/2020 Qiu D27/101
 D889,033 S * 6/2020 Murray D27/162
 D890,418 S * 7/2020 Tasselli D27/163
 D891,692 S * 7/2020 Barbaric D27/162
 10,721,973 B1 * 7/2020 Hermiz H05B 3/06
 D892,397 S * 8/2020 Li D27/162
 10,743,589 B1 * 8/2020 Hermiz H05B 3/06

* cited by examiner

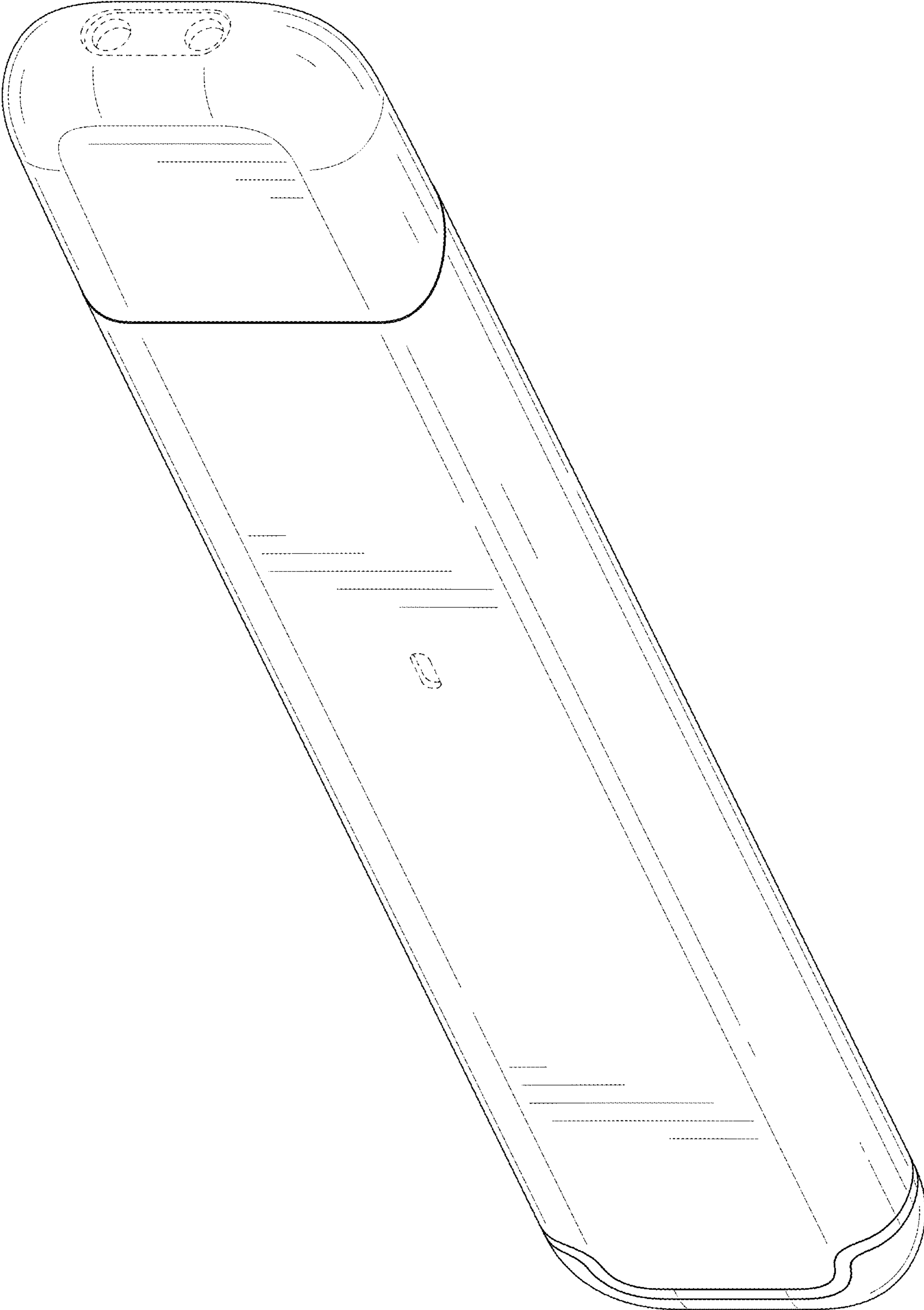


FIG. 1

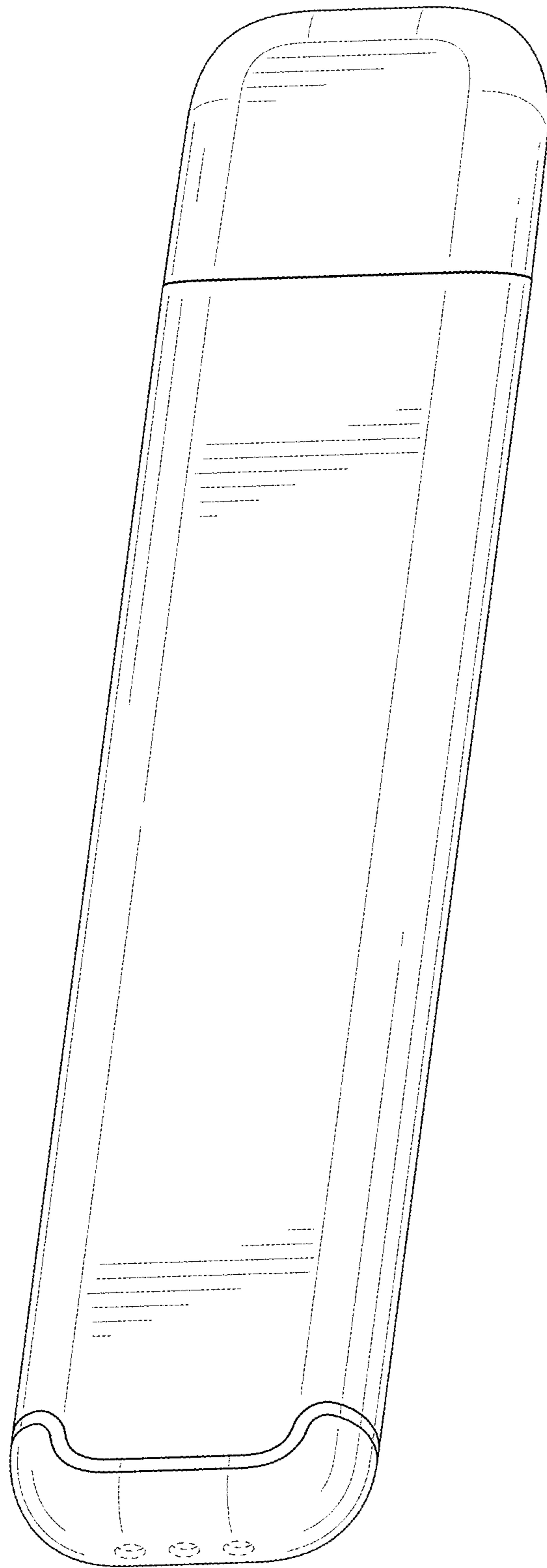


FIG. 2

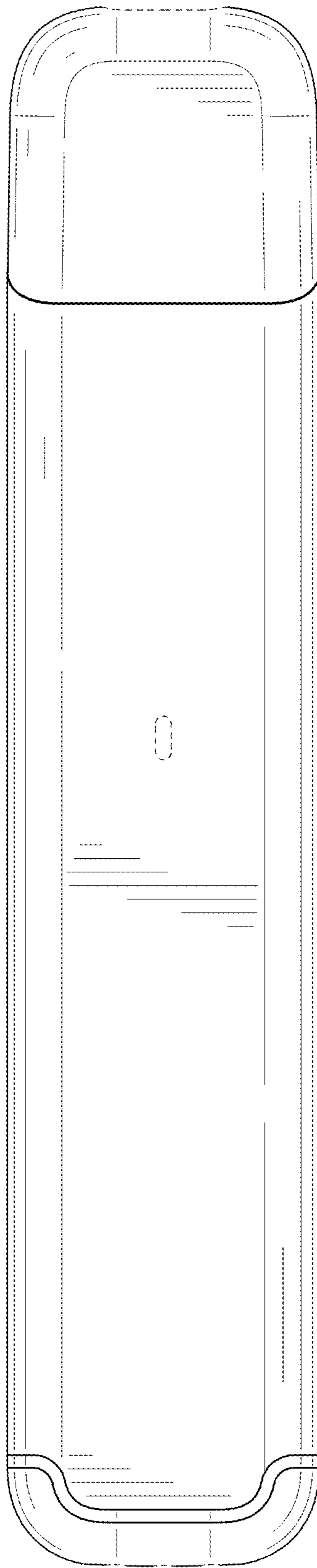


FIG. 3

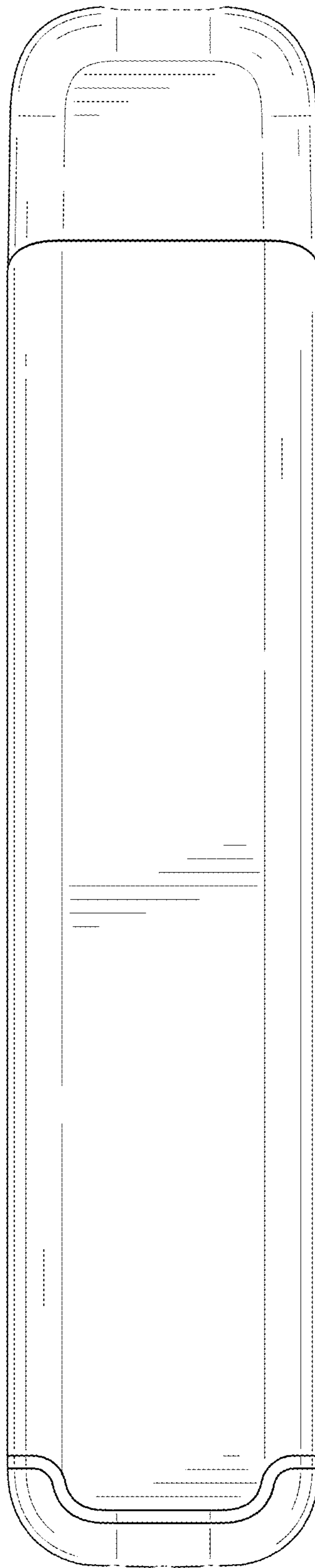


FIG. 4

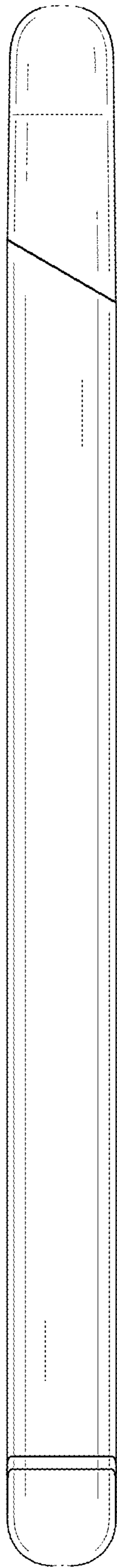


FIG. 5

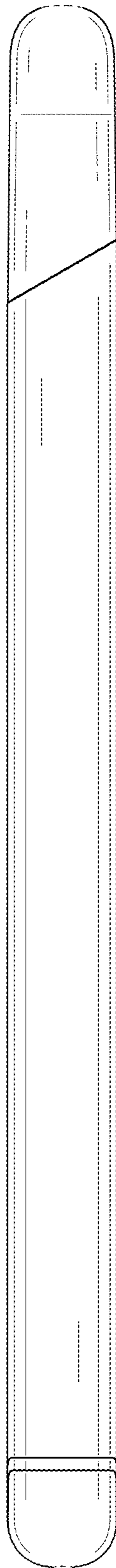


FIG. 6

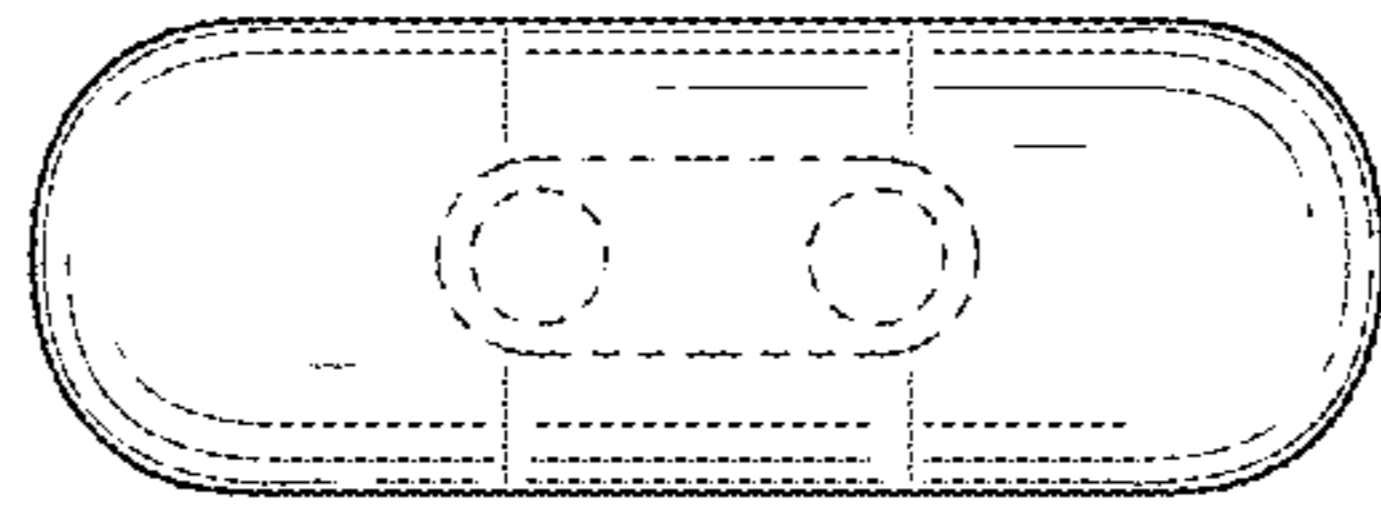


FIG. 7

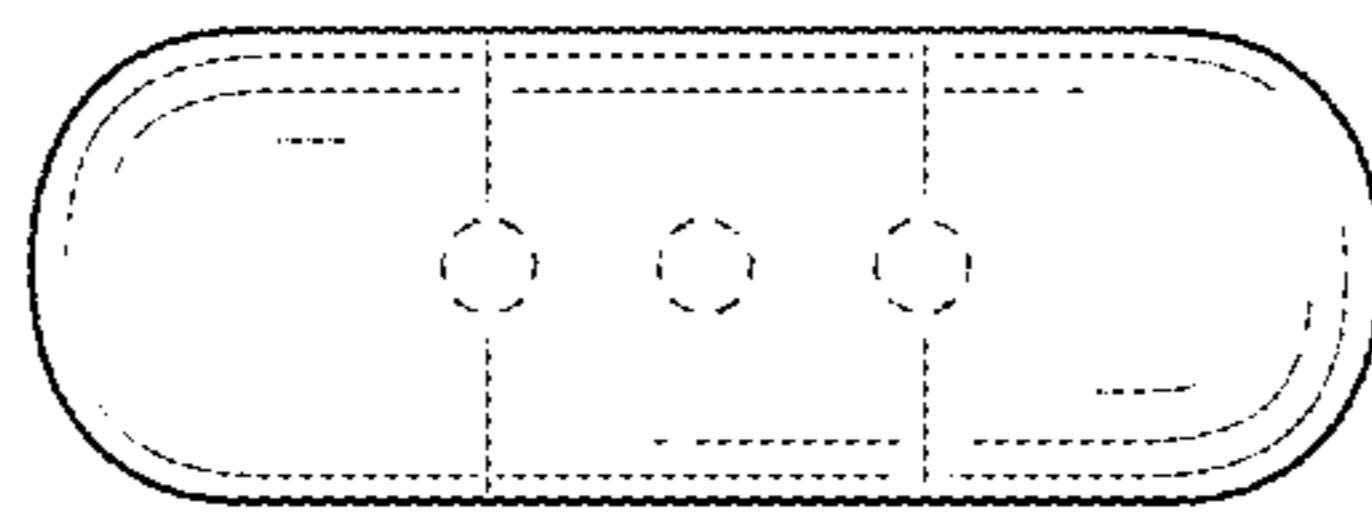


FIG. 8