



US00D908951S

(12) **United States Design Patent** (10) **Patent No.:** **US D908,951 S**
Sorensen (45) **Date of Patent:** **** *Jan. 26, 2021**

(54) **LIGHT FIXTURE CONNECTOR WITH TWISTING TURN**

(71) Applicant: **ABL IP Holding LLC**, Atlanta, GA (US)

(72) Inventor: **Christopher J. Sorensen**, Denver, CO (US)

(73) Assignee: **ABL IP Holding LLC**, Atlanta, GA (US)

(*) Notice: This patent is subject to a terminal disclaimer.

(**) Term: **15 Years**

(21) Appl. No.: **29/671,054**

(22) Filed: **Nov. 21, 2018**

(51) **LOC (13) Cl.** **26-05**

(52) **U.S. Cl.** **D26/138**
USPC

(58) **Field of Classification Search**
USPC D26/63, 72, 74, 76, 78-83, 85, 86, 88, D26/90, 93, 111, 113, 118, 119, 120, 121, D26/122, 138, 139, 140, 141, 142, 152
(Continued)

(56) **References Cited**

U.S. PATENT DOCUMENTS

D489,475 S * 5/2004 Bender D26/120
D490,559 S * 5/2004 Small D26/138
(Continued)

Primary Examiner — Natasha Vujcic

(74) *Attorney, Agent, or Firm* — Kilpatrick Townsend & Stockton LLP

(57) **CLAIM**

The ornamental design for a light fixture connector with twisting turn, as shown and described.

DESCRIPTION

FIG. 1 is a top plan view of the light fixture connector with twisting turn;

FIG. 2 is a bottom plan view of the light fixture connector with twisting turn;

FIG. 3 is a front elevation of the light fixture connector with twisting turn;

FIG. 4 is a rear elevation of the light fixture connector with twisting turn;

FIG. 5 is a left side elevation of the light fixture connector with twisting turn;

FIG. 6 is a right side elevation of the light fixture connector with twisting turn;

FIG. 7 is an isometric view, as seen at a first angle from above, of the light fixture connector with twisting turn;

FIG. 8 is an isometric view, as seen at an angle from below, of the light fixture connector with twisting turn;

FIG. 9 is an isometric view, as seen at a second angle from above, of the light fixture connector with twisting turn;

FIG. 10 is a top plan view of the light fixture connector with twisting turn;

FIG. 11 is a bottom plan view of the light fixture connector with twisting turn;

FIG. 12 is a front elevation of the light fixture connector with twisting turn;

FIG. 13 is a rear elevation of the light fixture connector with twisting turn;

FIG. 14 is a left side elevation of the light fixture connector with twisting turn;

FIG. 15 is a right side elevation of the light fixture connector with twisting turn;

FIG. 16 is an isometric view, as seen at a first angle from above, of the light fixture connector with twisting turn;

FIG. 17 is an isometric view, as seen at a second angle from above, of the light fixture connector with twisting turn;

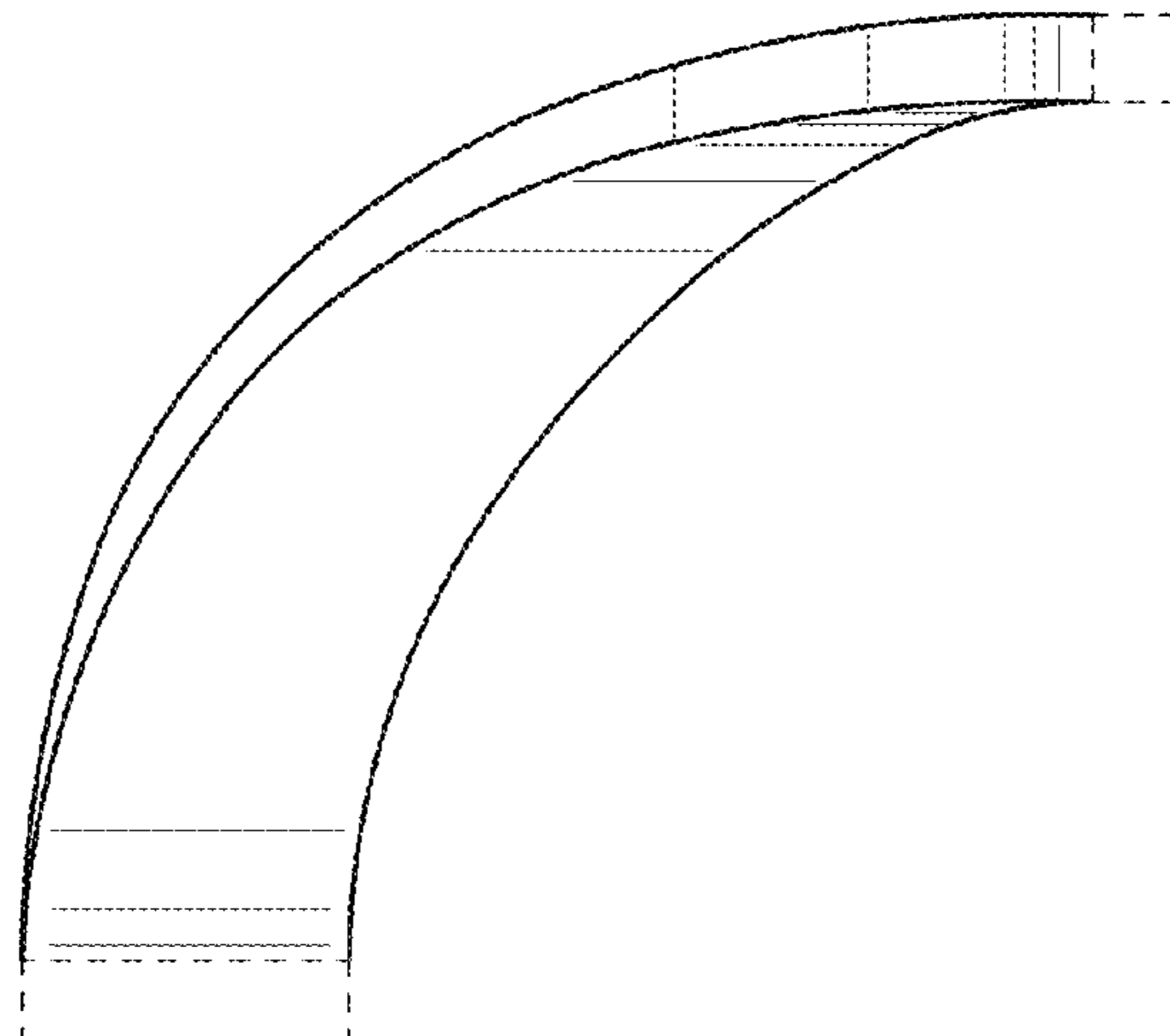
FIG. 18 is an isometric view, as seen at an angle from below, of the light fixture connector with twisting turn; and,

FIG. 19 is another top plan view of the light fixture connector with twisting turn, with sight lines added to identify the views shown in FIGS. 1-6 and FIGS. 12-15, for the reader's convenience.

Light broken lines in the drawings illustrate environmental light fixture structures adjacent to the light fixture connector with twisting turn, that form no part of the claimed design.

Dash-dot broken lines in FIG. 19 indicate cross-sectional

(Continued)



planes and areas shown in FIGS. 1-6 and 12-15, as indicated by numerals associated with each dash-dot broken line.

1 Claim, 8 Drawing Sheets

(58) **Field of Classification Search**

CPC F21S 2/00; F21S 4/00; F21S 4/003; F21S 4/005; F21S 4/006; F21S 4/007; F21S 4/008; F21S 6/00; F21S 8/00; F21S 8/024; F21S 8/026; F21S 8/031; F21S 8/033; F21S 8/035-037; F21S 8/04; F21S 8/043; F21S 8/063

See application file for complete search history.

(56) **References Cited**

U.S. PATENT DOCUMENTS

D508,753	S	*	8/2005	Herst	D26/138
D565,786	S	*	4/2008	Willmorth	D26/138
D591,443	S	*	4/2009	Beno	D26/76
D683,066	S	*	5/2013	Myung	D26/120
D703,864	S	*	4/2014	Blum	D26/118
D711,040	S	*	8/2014	Huang	D26/120
D735,927	S	*	8/2015	Lee	D26/120
D735,928	S	*	8/2015	Hawkins	D26/120
D738,557	S	*	9/2015	Colombo	D26/85
D739,591	S	*	9/2015	Tran	D26/85
D740,487	S	*	10/2015	Nelson	D26/153
D762,911	S	*	8/2016	Blum	D26/88
D790,105	S	*	6/2017	Tran	D26/87
D828,612	S	*	9/2018	Silver	D26/91
D870,350	S	*	12/2019	Schwartz	D26/88
D887,615	S	*	6/2020	Fiorato	D26/85

* cited by examiner

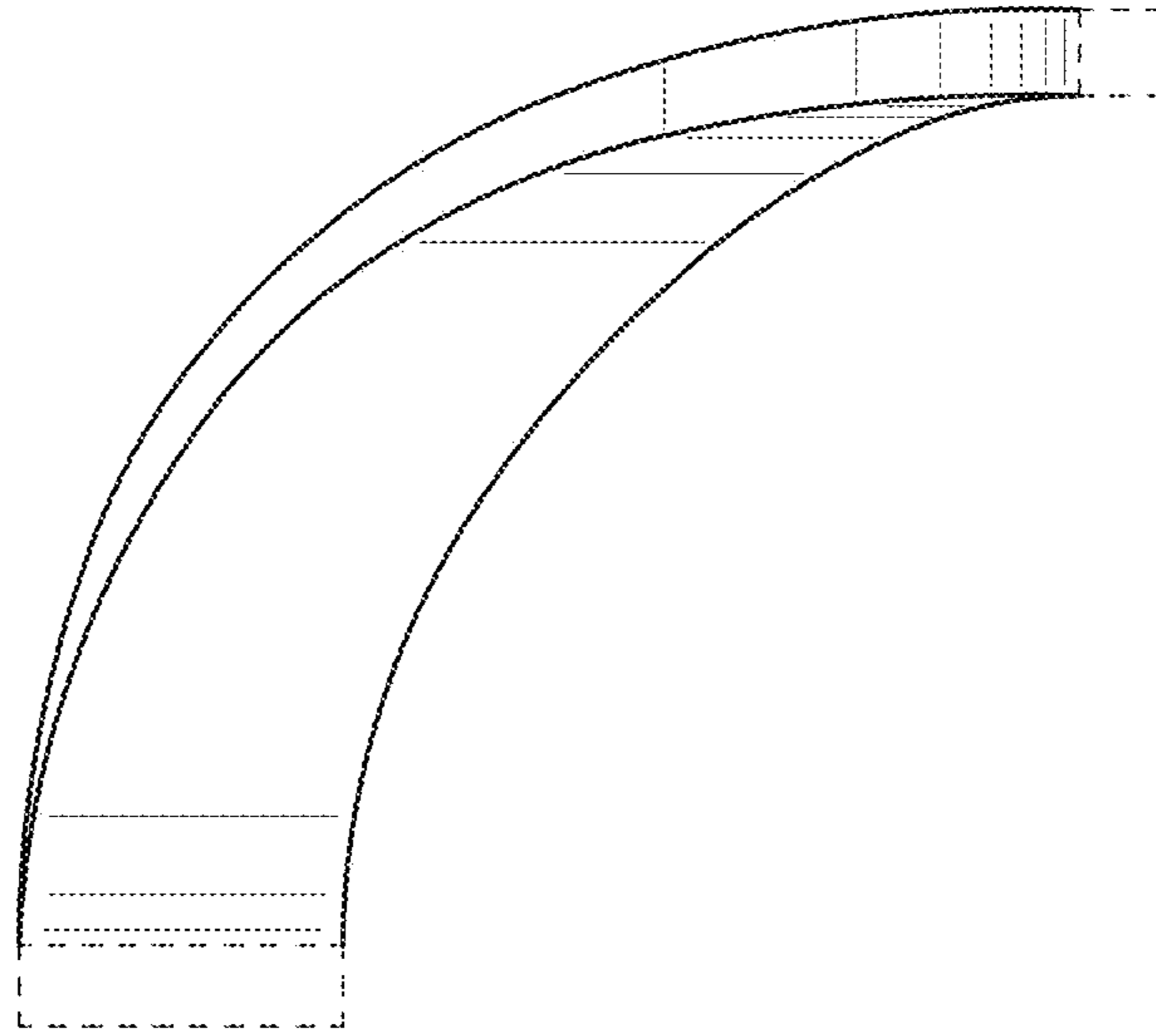


FIG. 1

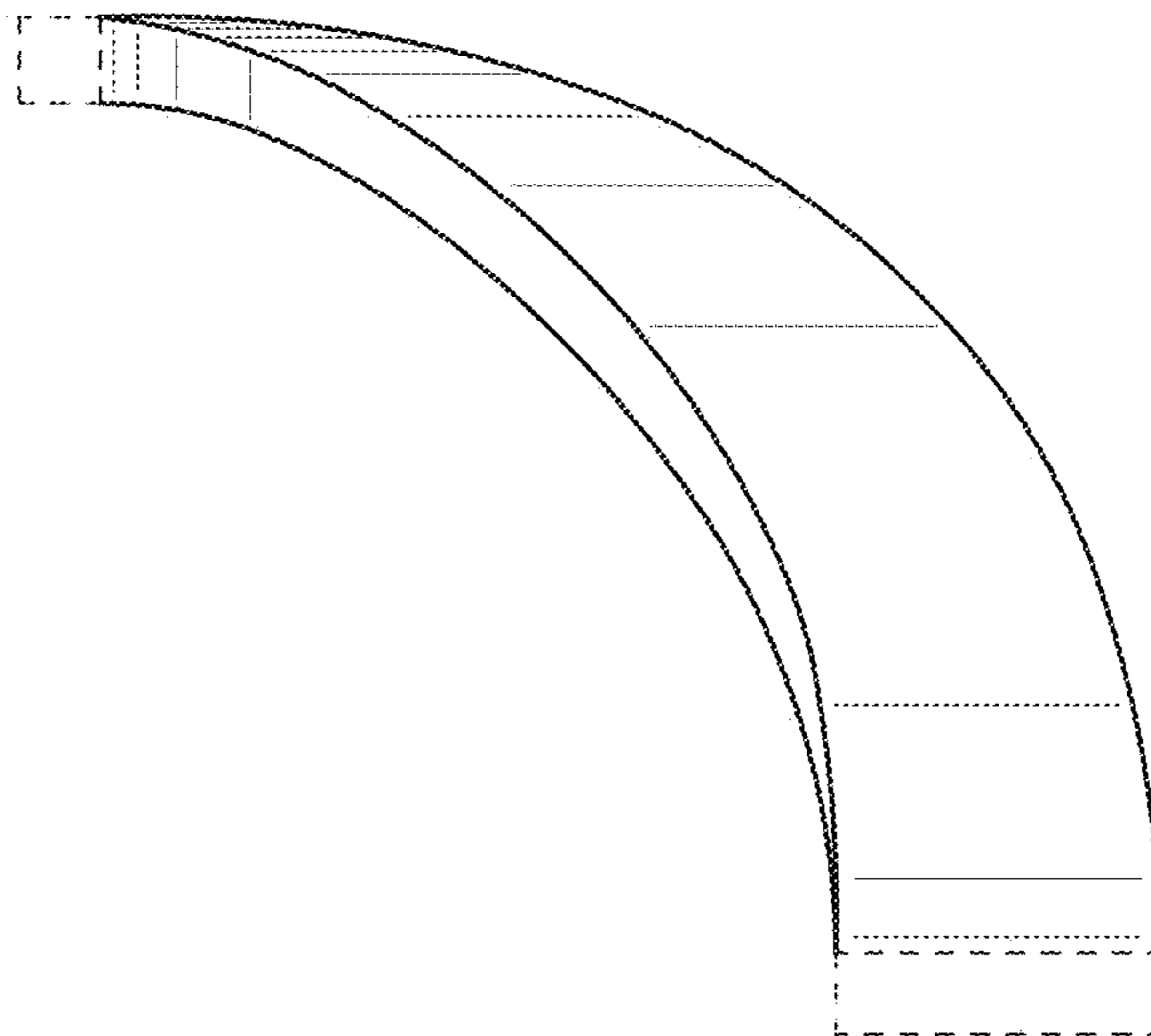


FIG. 2

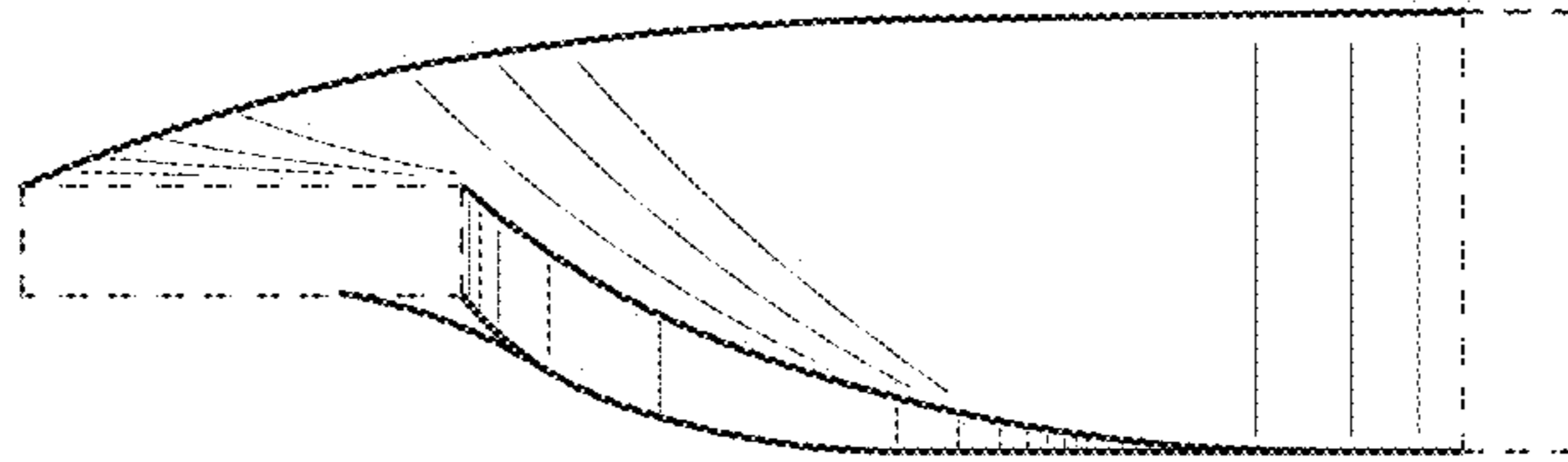


FIG. 3

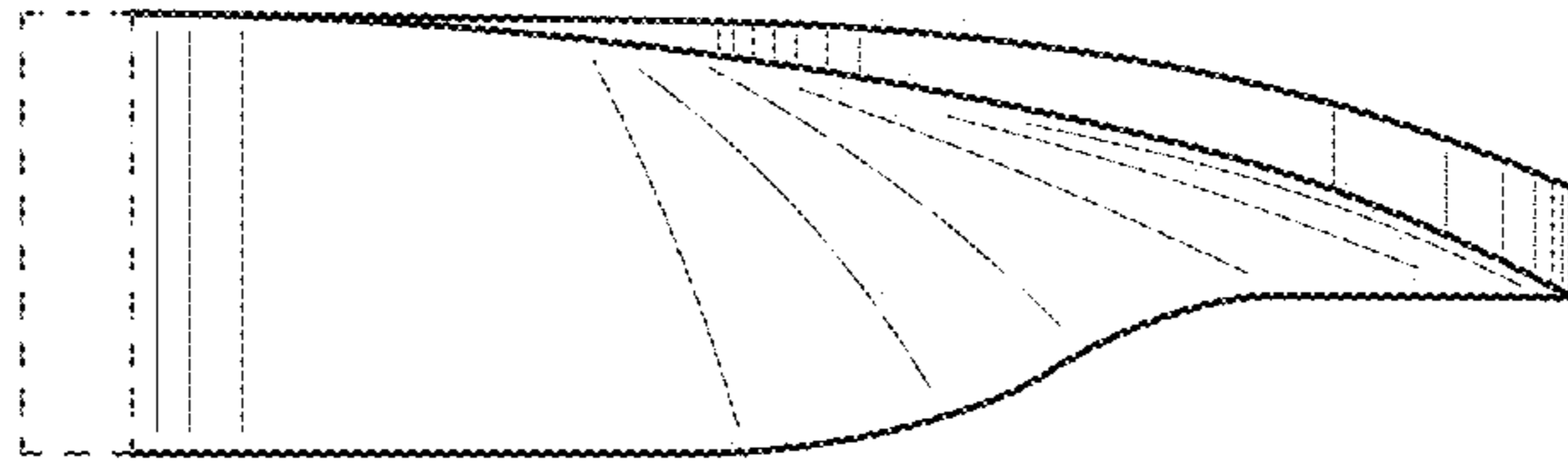


FIG. 4

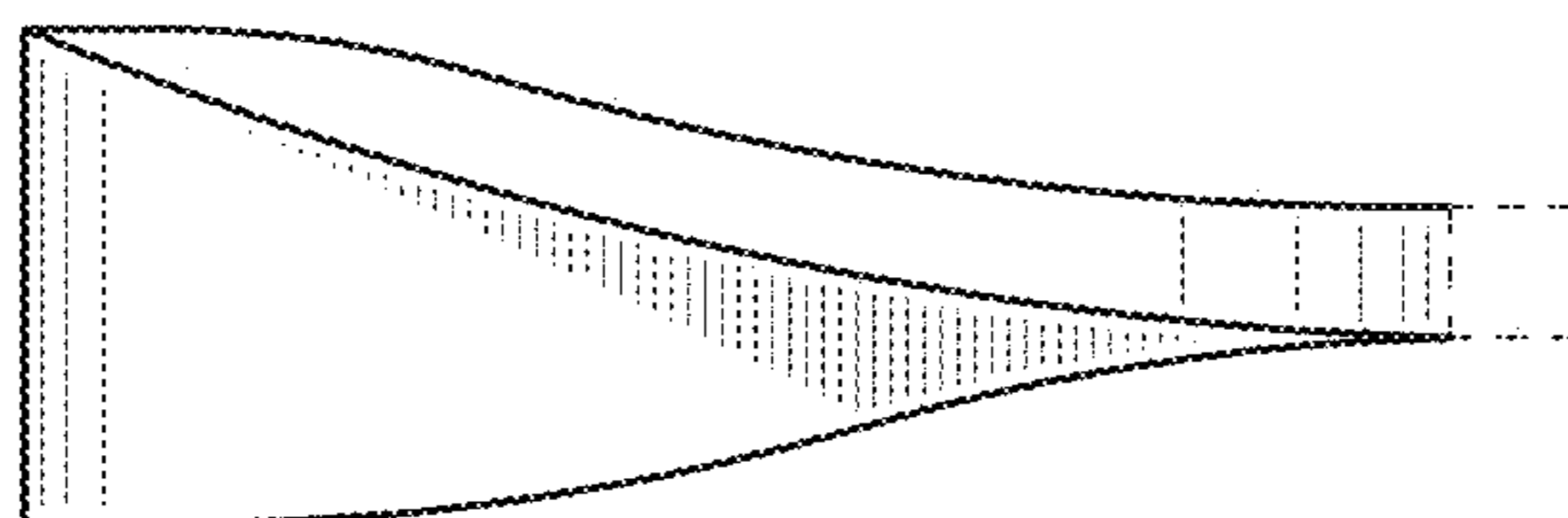


FIG. 5

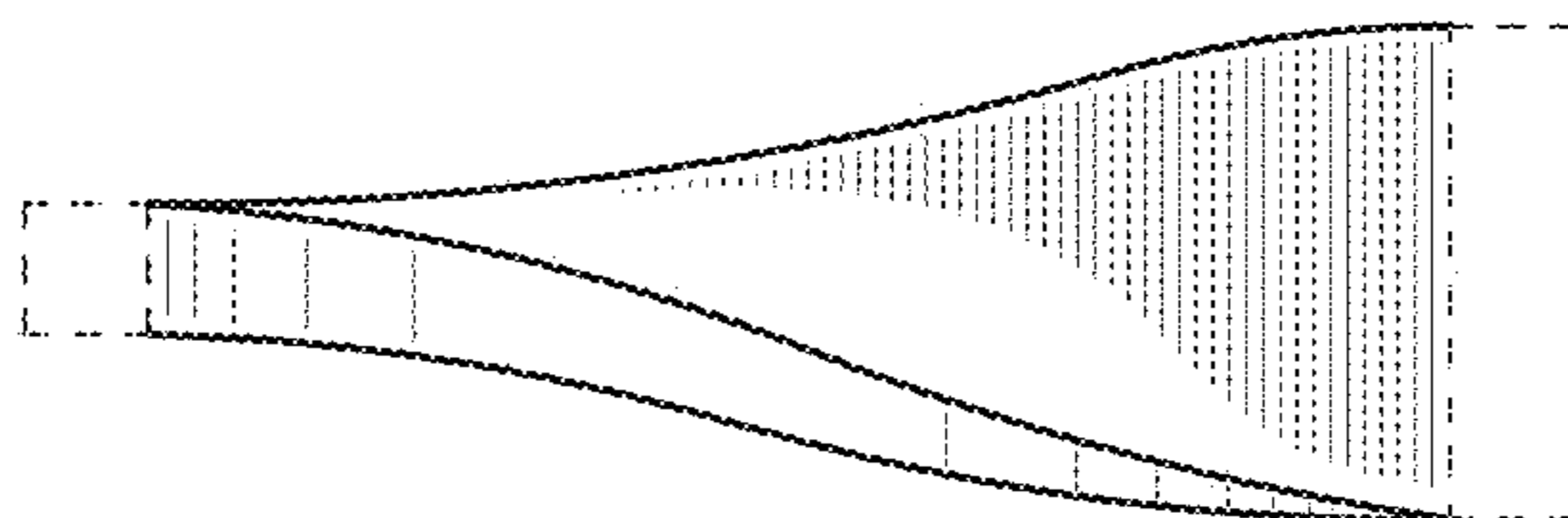


FIG. 6

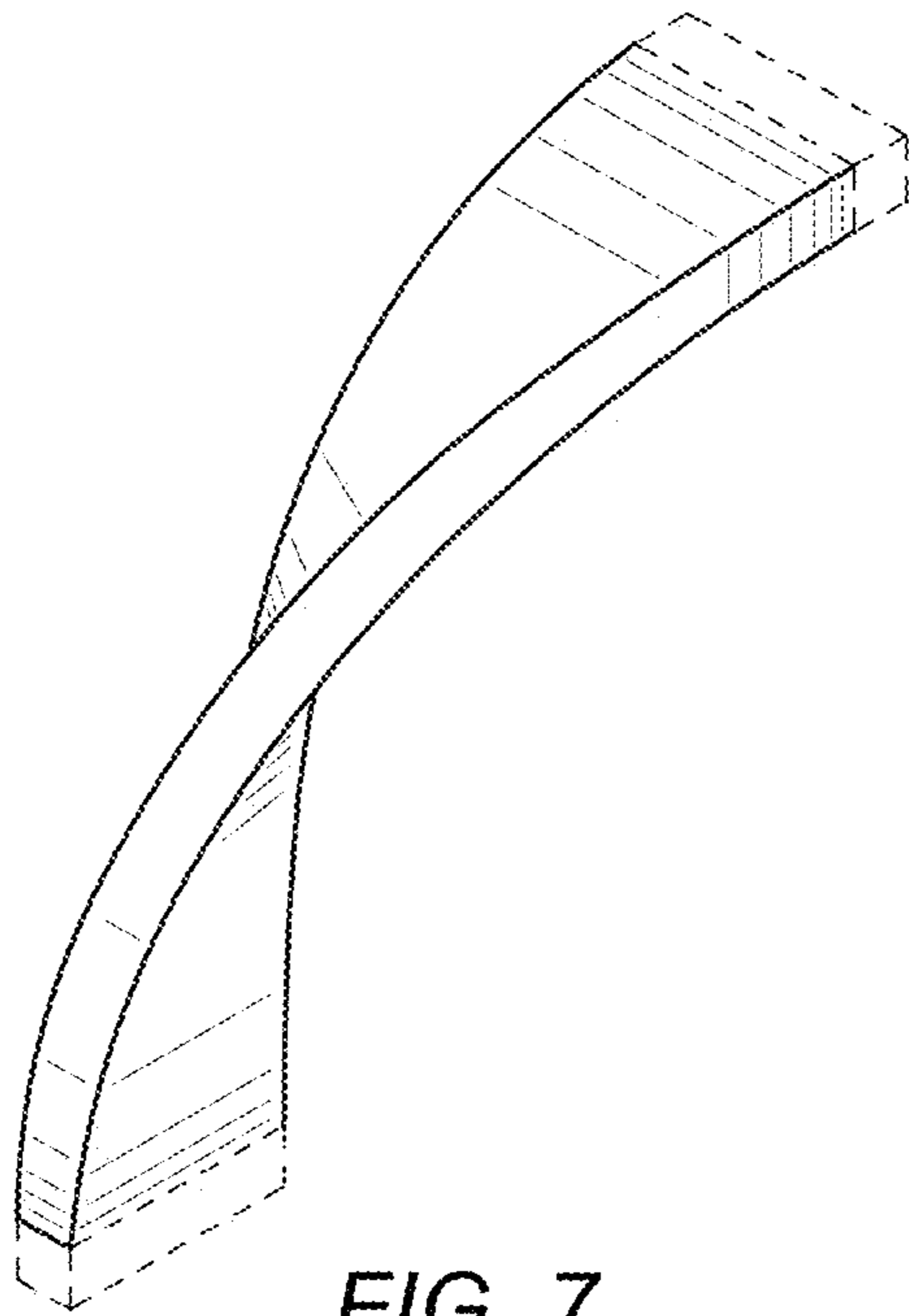


FIG. 7

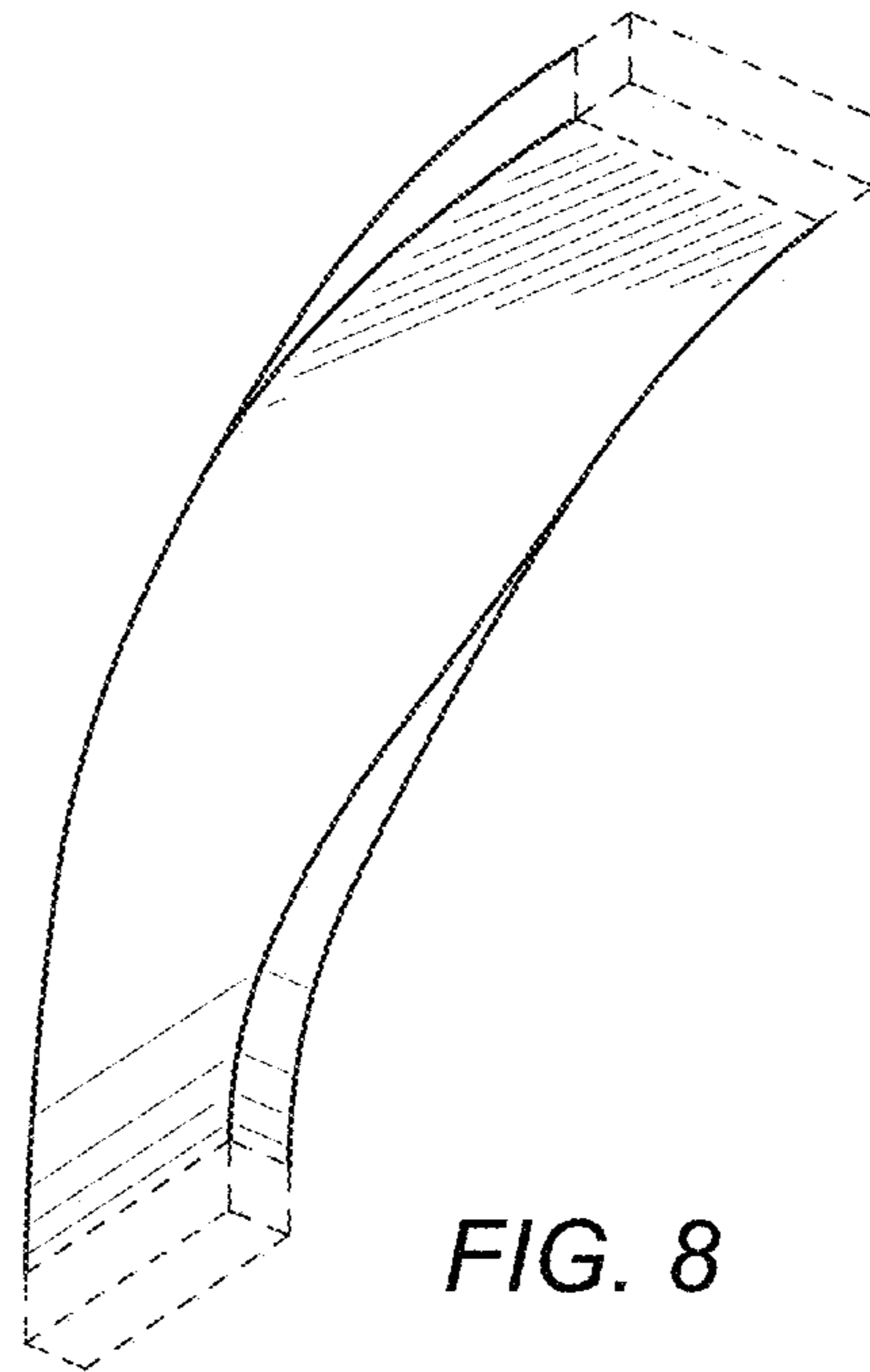


FIG. 8

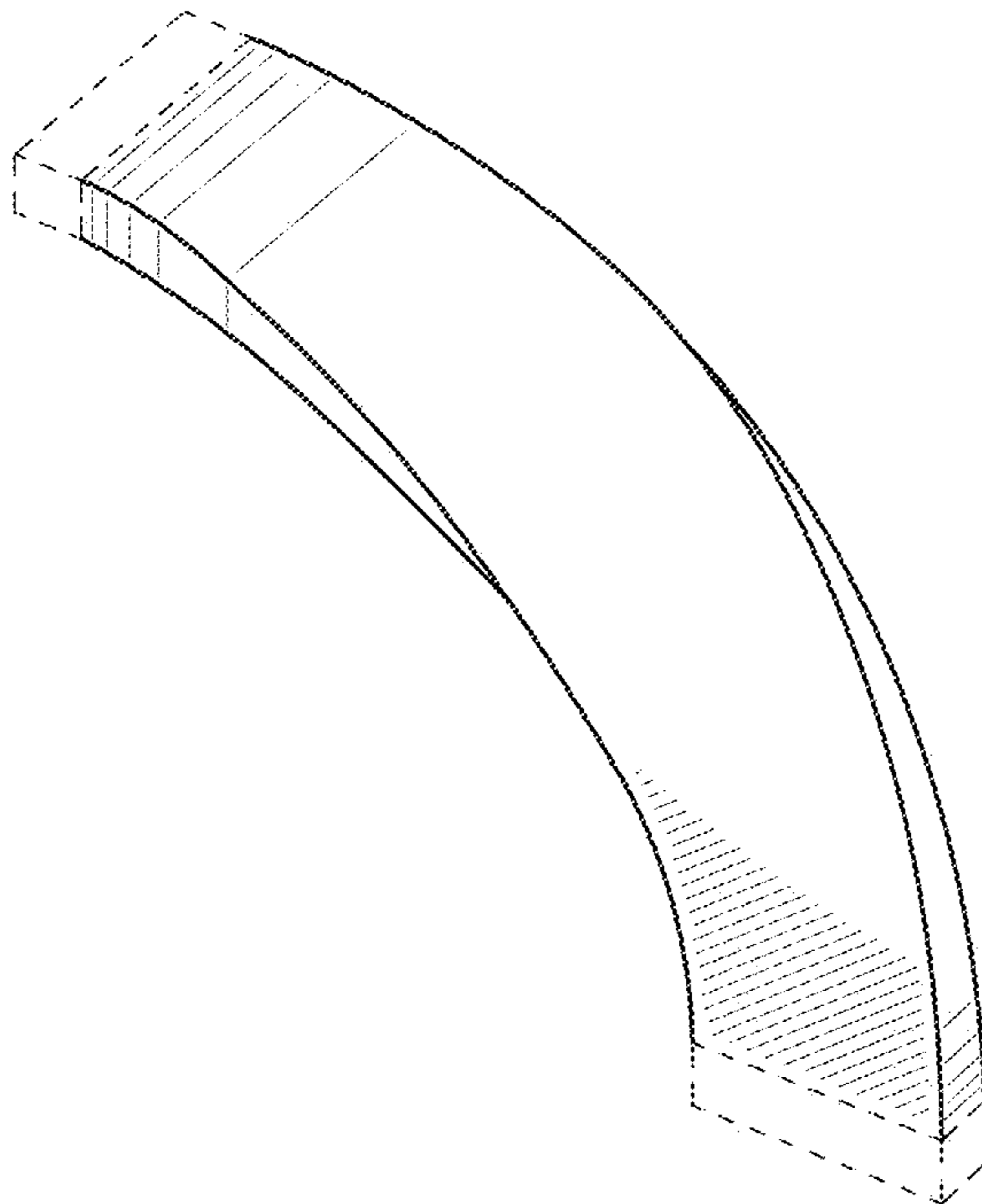


FIG. 9

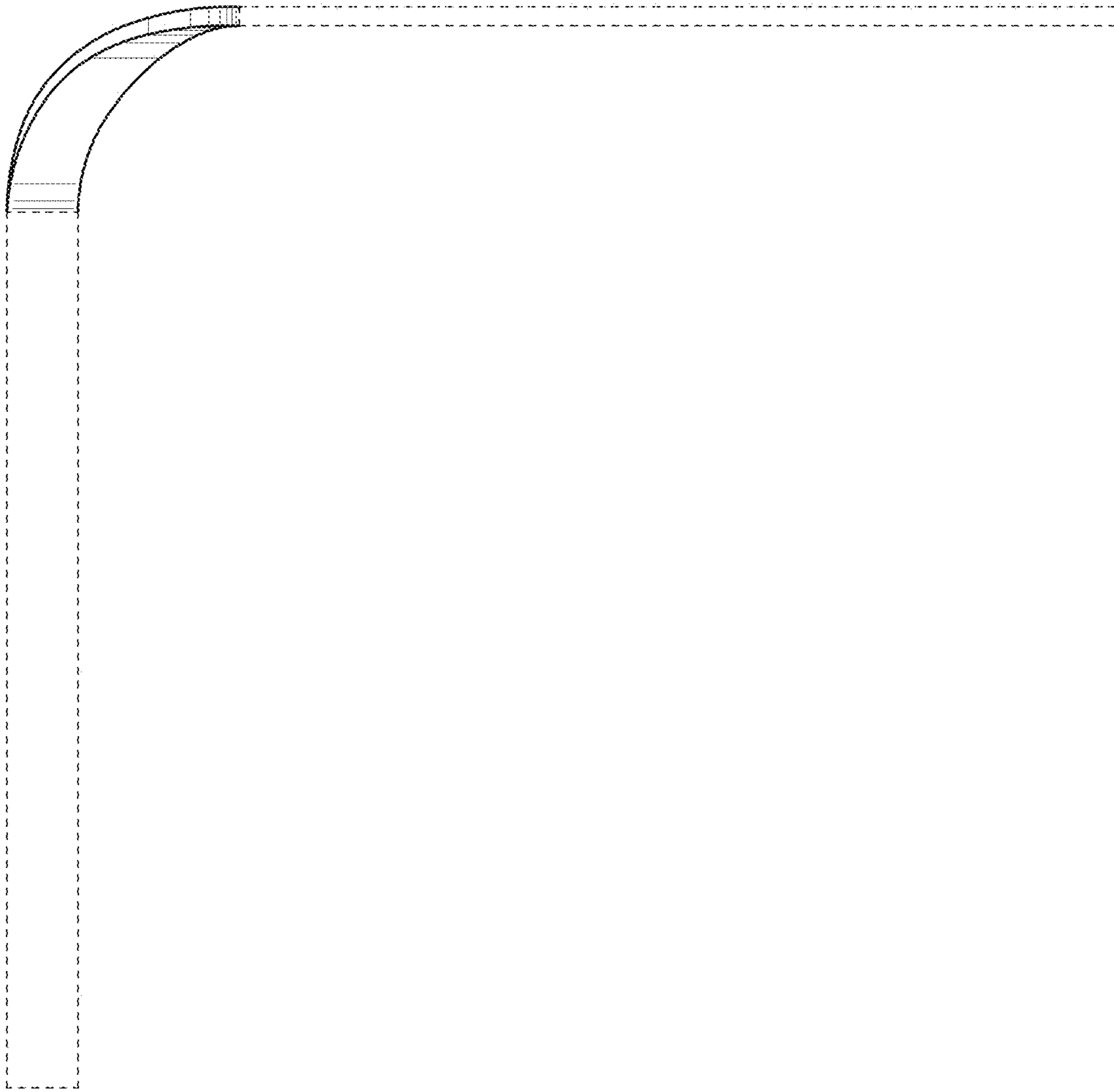


FIG. 10

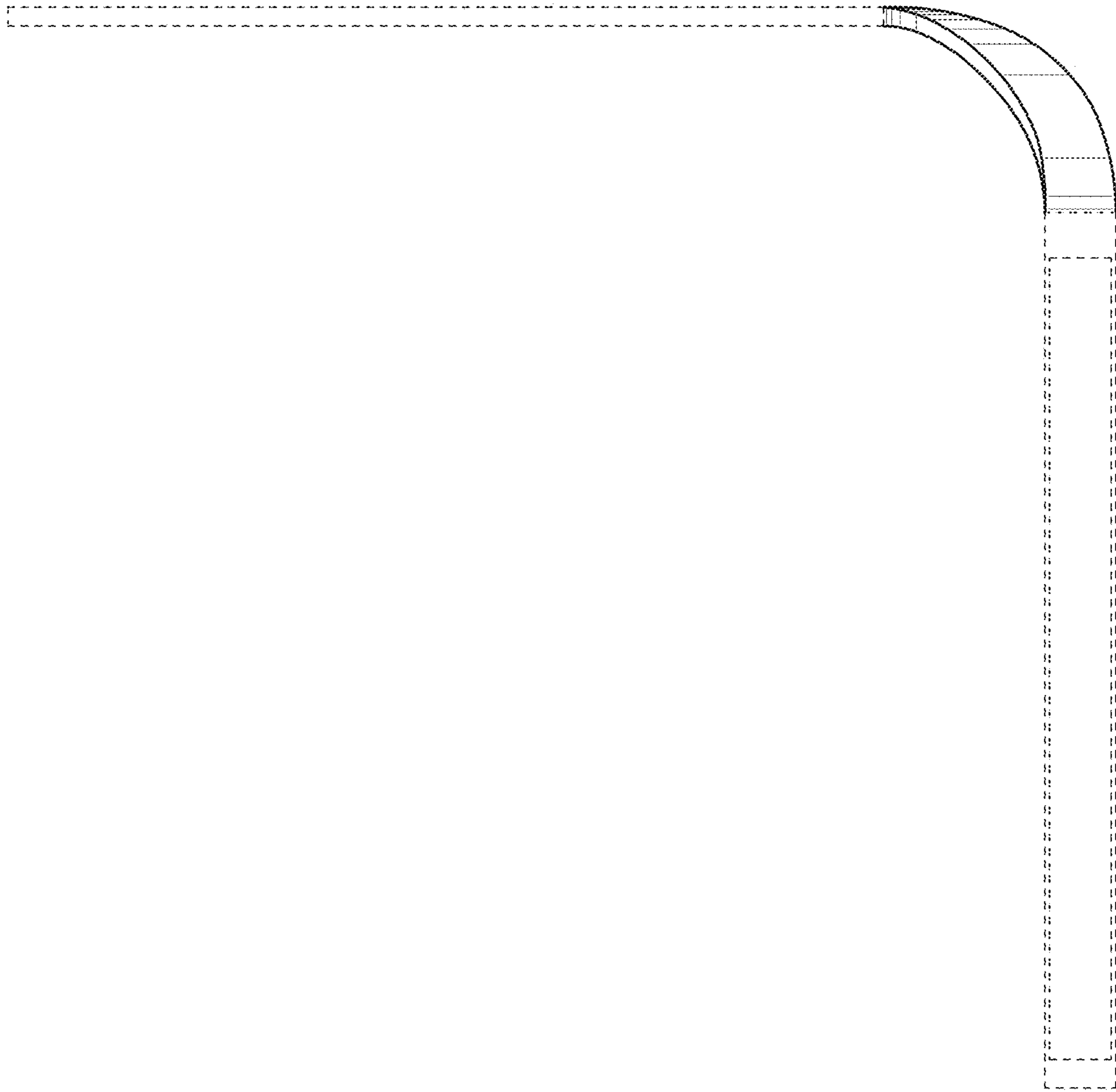


FIG. 11



FIG. 12



FIG. 13

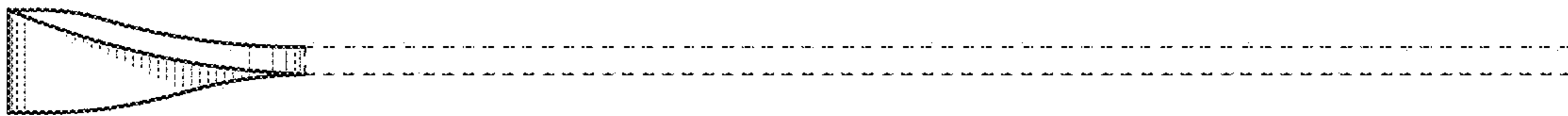


FIG. 14

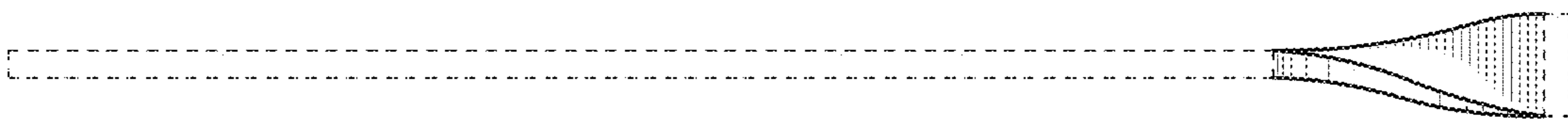


FIG. 15

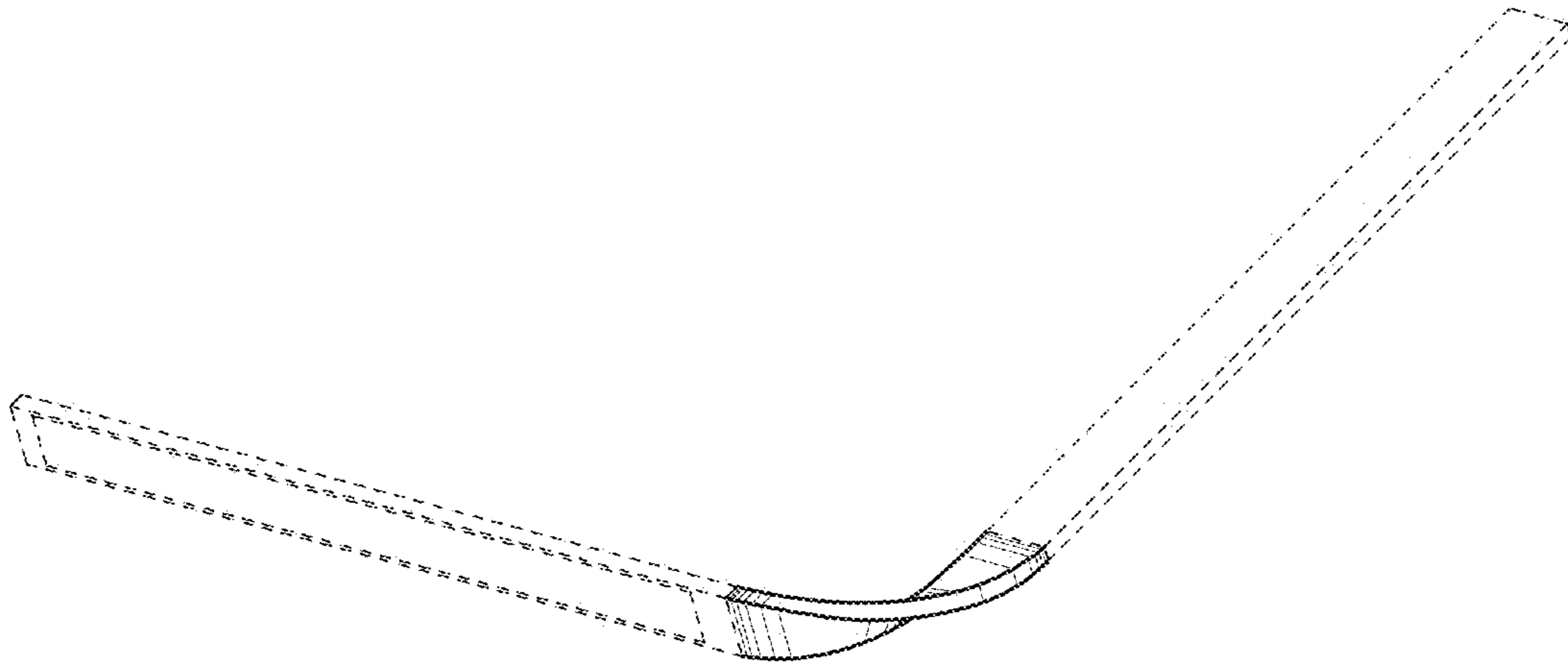


FIG. 16

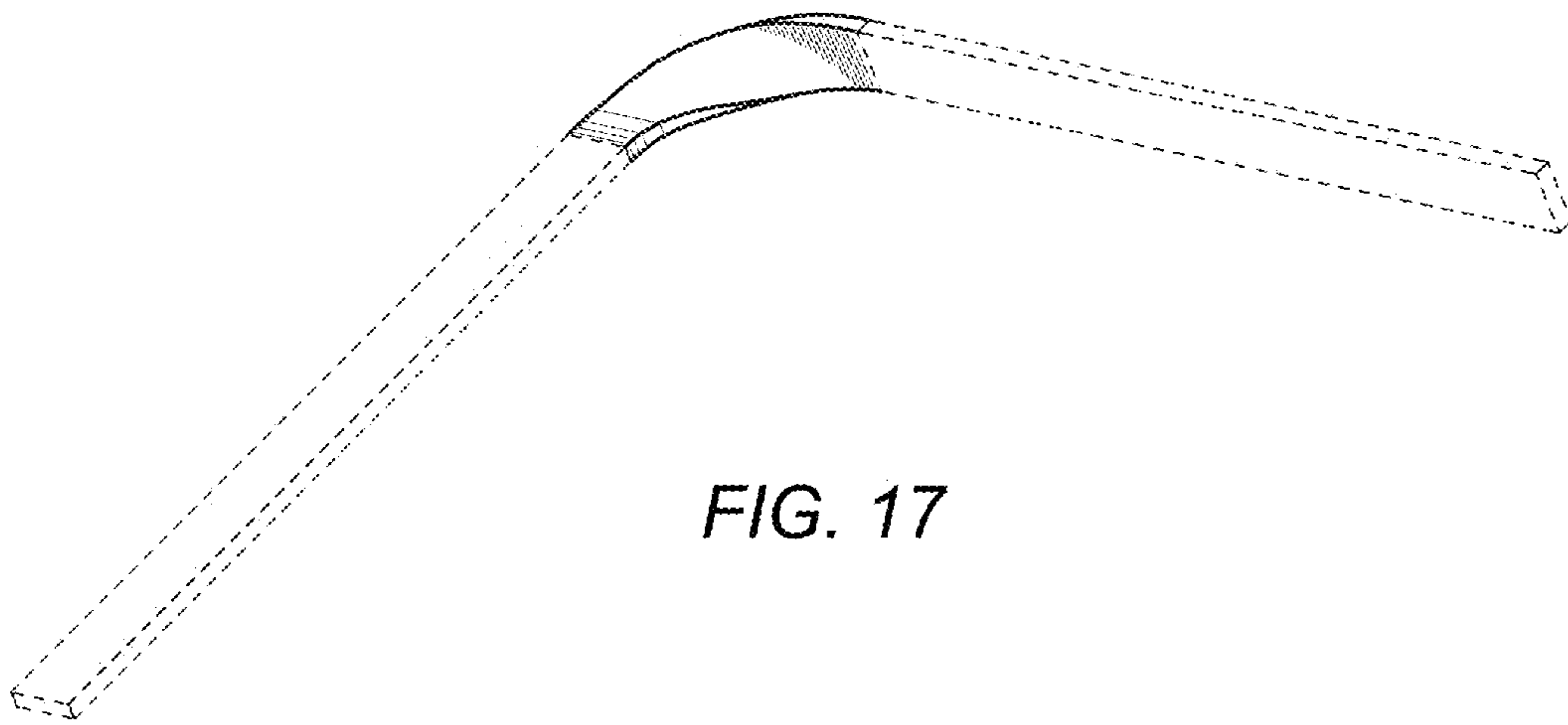


FIG. 17

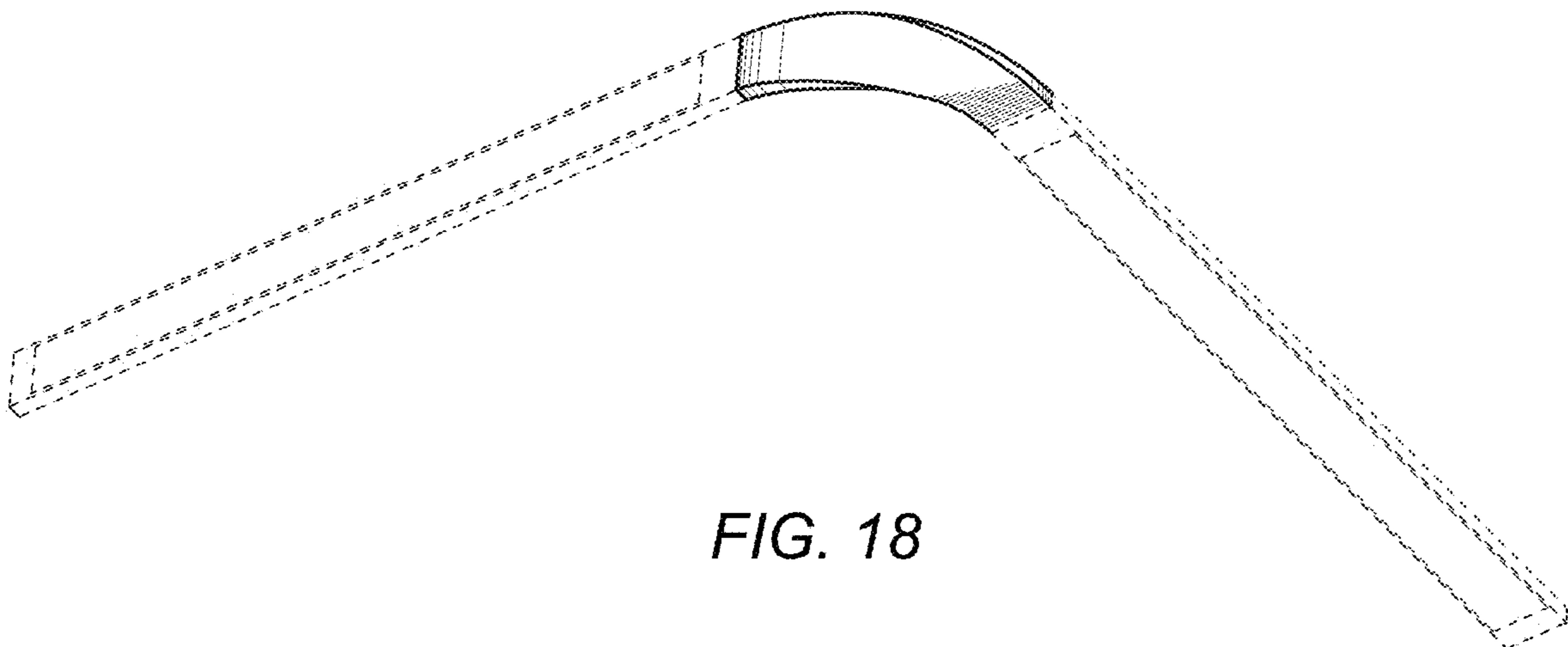


FIG. 18

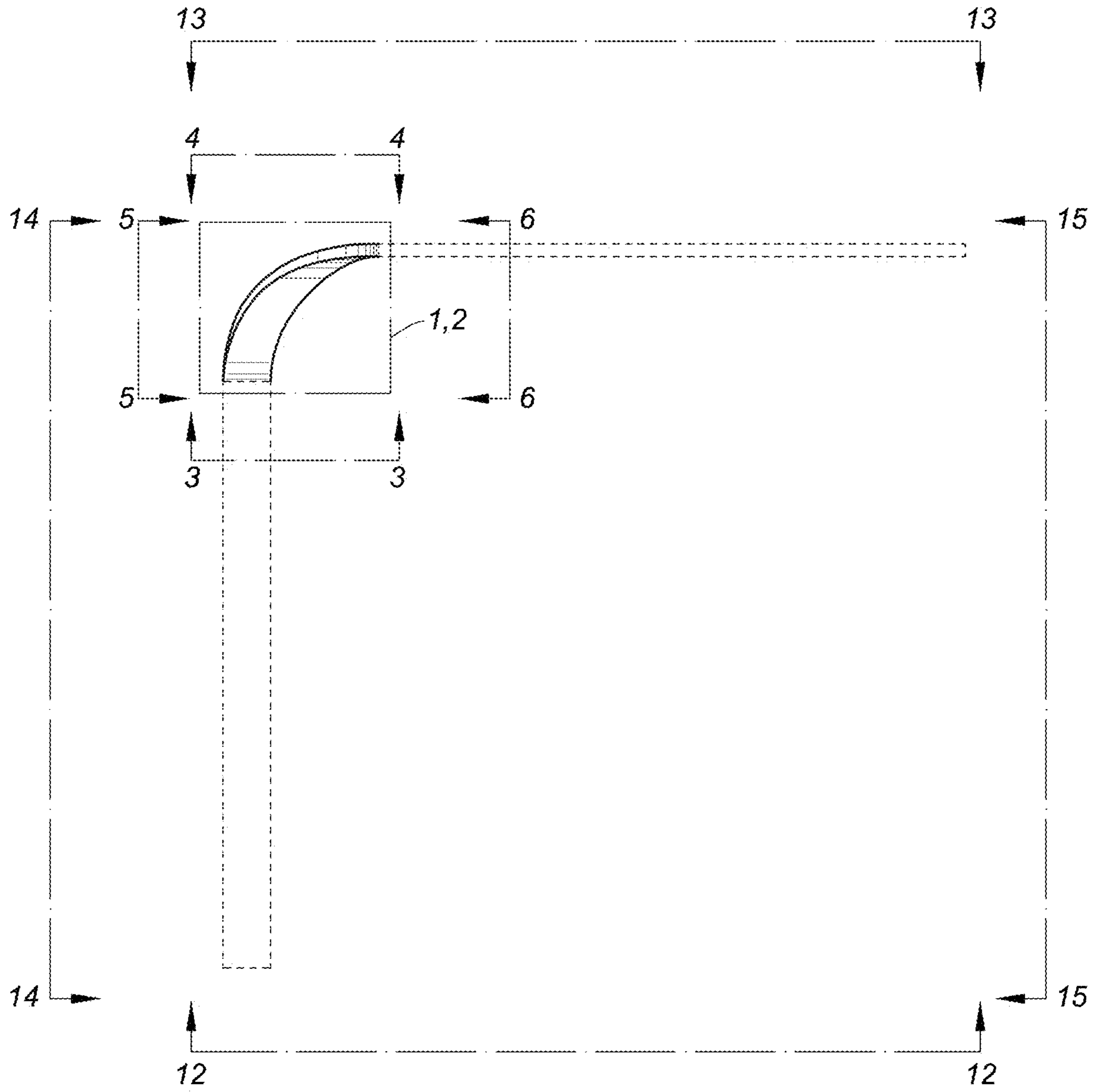


FIG. 19