



US00D908948S

(12) **United States Design Patent** (10) **Patent No.:** **US D908,948 S**
Duong et al. (45) **Date of Patent:** **** Jan. 26, 2021**

(54) **PORTION OF A LUMINAIRE**

(56) **References Cited**

(71) Applicants: **Dung Duong**, Bee Cave, TX (US);
Randall Johnson, Austin, TX (US);
Nicholas Klase, Driftwood, TX (US)

U.S. PATENT DOCUMENTS

(72) Inventors: **Dung Duong**, Bee Cave, TX (US);
Randall Johnson, Austin, TX (US);
Nicholas Klase, Driftwood, TX (US)

6,269,863	B1 *	8/2001	Wylter	G06F 1/20
					165/185
D608,487	S *	1/2010	Pei	D26/76
D619,292	S *	7/2010	Pei	D26/76
D764,092	S *	8/2016	Cai	D26/76
D846,787	S *	4/2019	Lu	D26/76
2008/0236791	A1 *	10/2008	Wayman	H01L 23/3672
					165/80.3
2009/0316408	A1 *	12/2009	Villard	F21V 29/00
					362/249.13
2013/0088871	A1 *	4/2013	Yun	F21V 29/51
					362/249.01
2015/0300610	A1 *	10/2015	DeCarr	F21S 8/061
					362/249.07

(73) Assignee: **Fluence Bioengineering, Inc.**, Austin, TX (US)

(**) Term: **15 Years**

(21) Appl. No.: **29/707,384**

(22) Filed: **Sep. 27, 2019**

* cited by examiner

Primary Examiner — Zenia I Bennett

(74) *Attorney, Agent, or Firm* — Edward S. Podszus

Related U.S. Application Data

(60) Division of application No. 16/239,626, filed on Jan. 4, 2019, which is a continuation of application No. 15/678,880, filed on Aug. 16, 2017, now Pat. No. 10,208,940.

(57) **CLAIM**

The ornamental design for portion of a luminaire, as shown and described.

(51) **LOC (13) Cl.** **26-99**

(52) **U.S. Cl.**
USPC **D26/113**

(58) **Field of Classification Search**
USPC D26/24, 63, 72, 75, 76, 80, 84, 88, 89,
D26/113

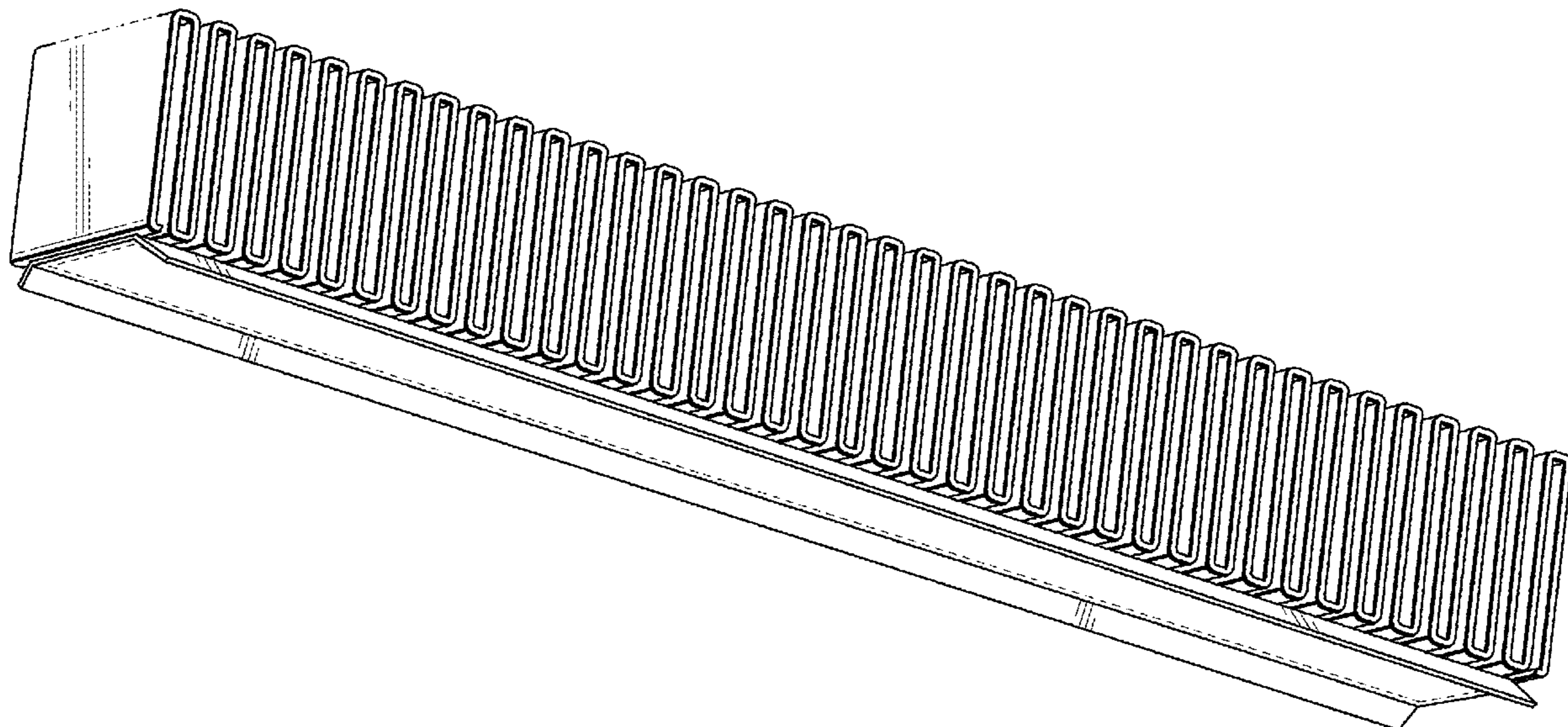
CPC F21S 8/00; F21S 8/02; F21S 8/04; F21S 8/024; F21S 8/08; F21V 21/00; F21V 21/041; F21V 29/00; F21V 29/51

See application file for complete search history.

DESCRIPTION

FIG. 1 is a perspective view of the new design for a portion of a luminaire as seen from the bottom, right side; FIG. 2 is a right side elevational view thereof; FIG. 3 is a left side elevational view thereof; FIG. 4 is a front elevational view thereof; FIG. 5 is a rear elevational view thereof; FIG. 6 is a top plan view thereof; and, FIG. 7 is a bottom plan view thereof. The broken line disclosure is for environmental purposes only and does not form a part of the claimed design.

1 Claim, 4 Drawing Sheets



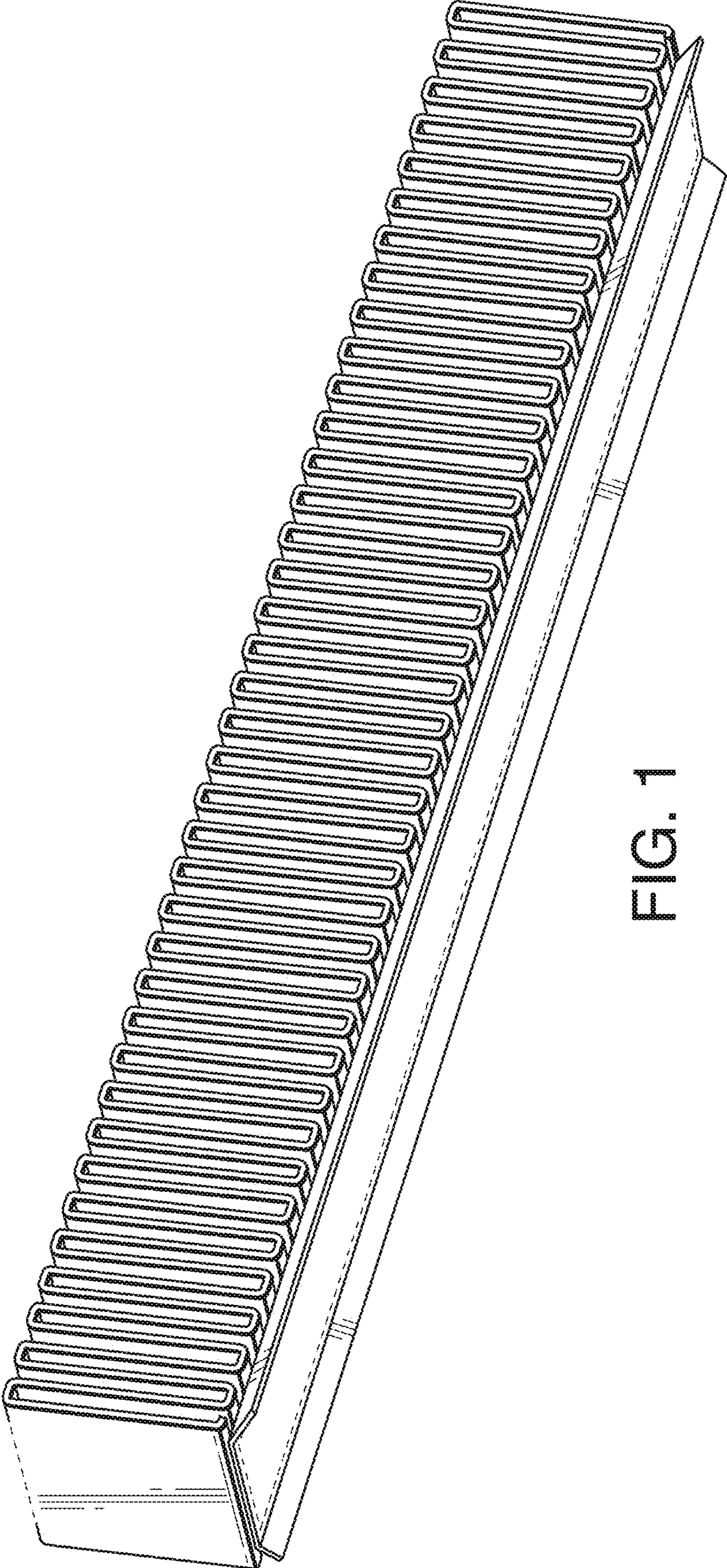


FIG. 1

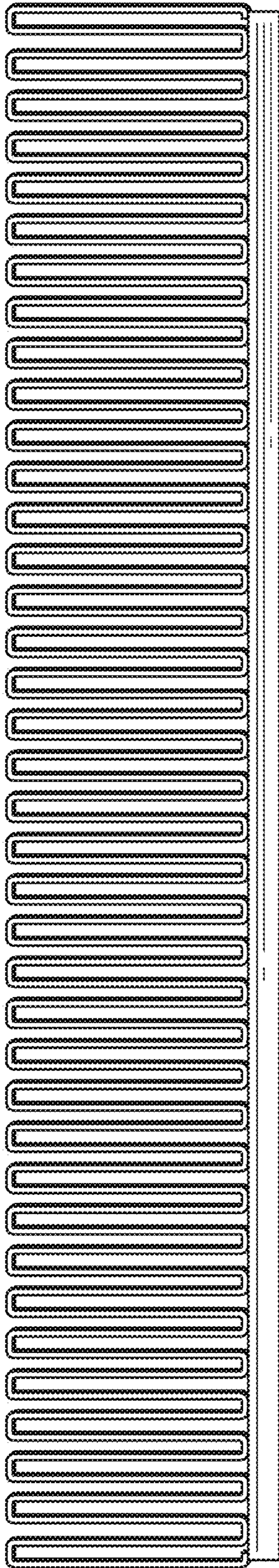


FIG. 2

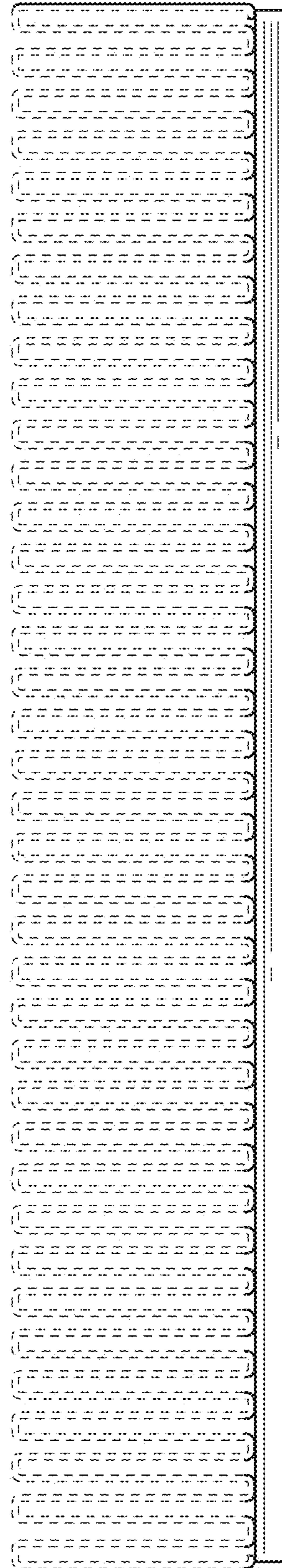


FIG. 3

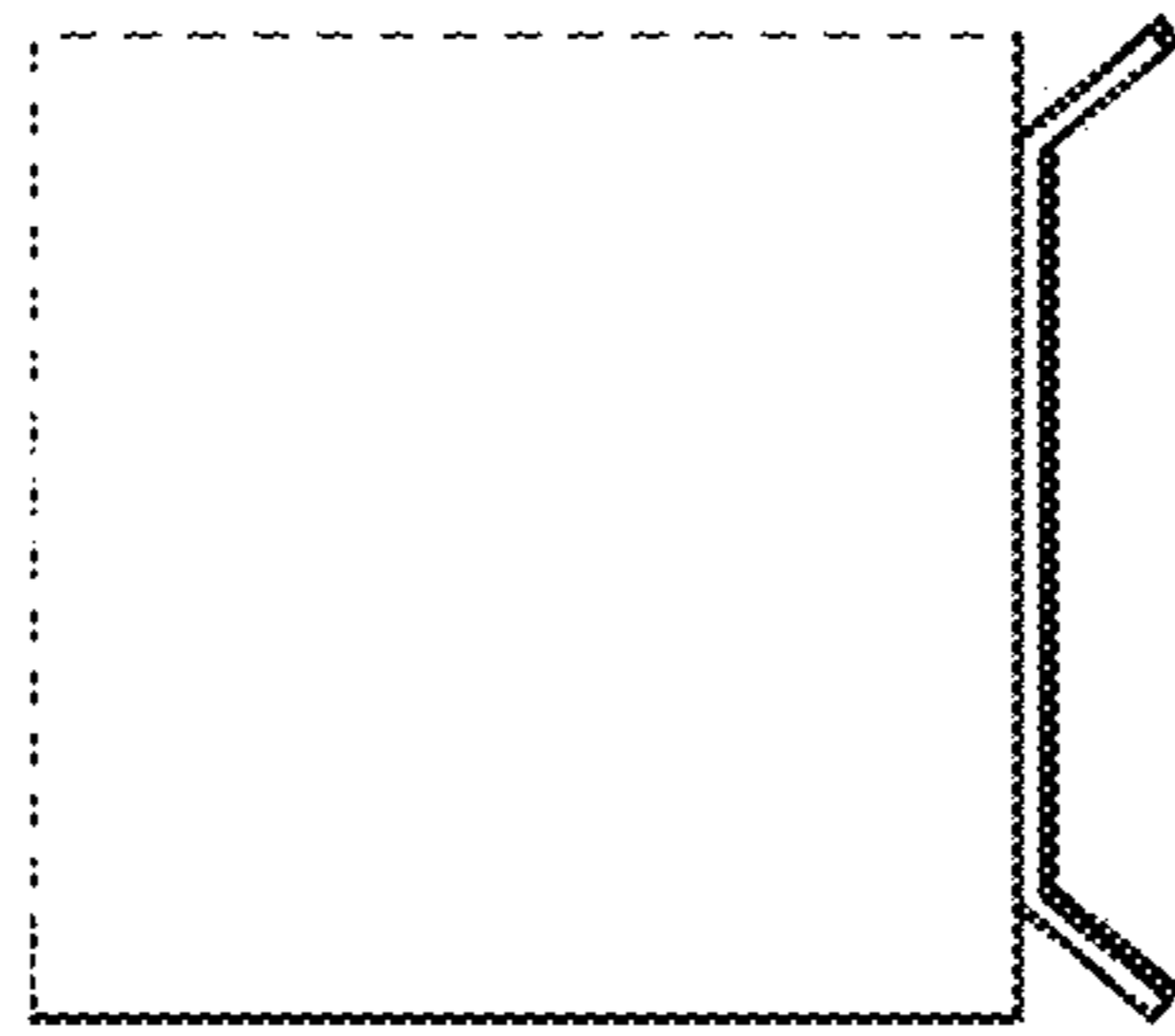


FIG. 5

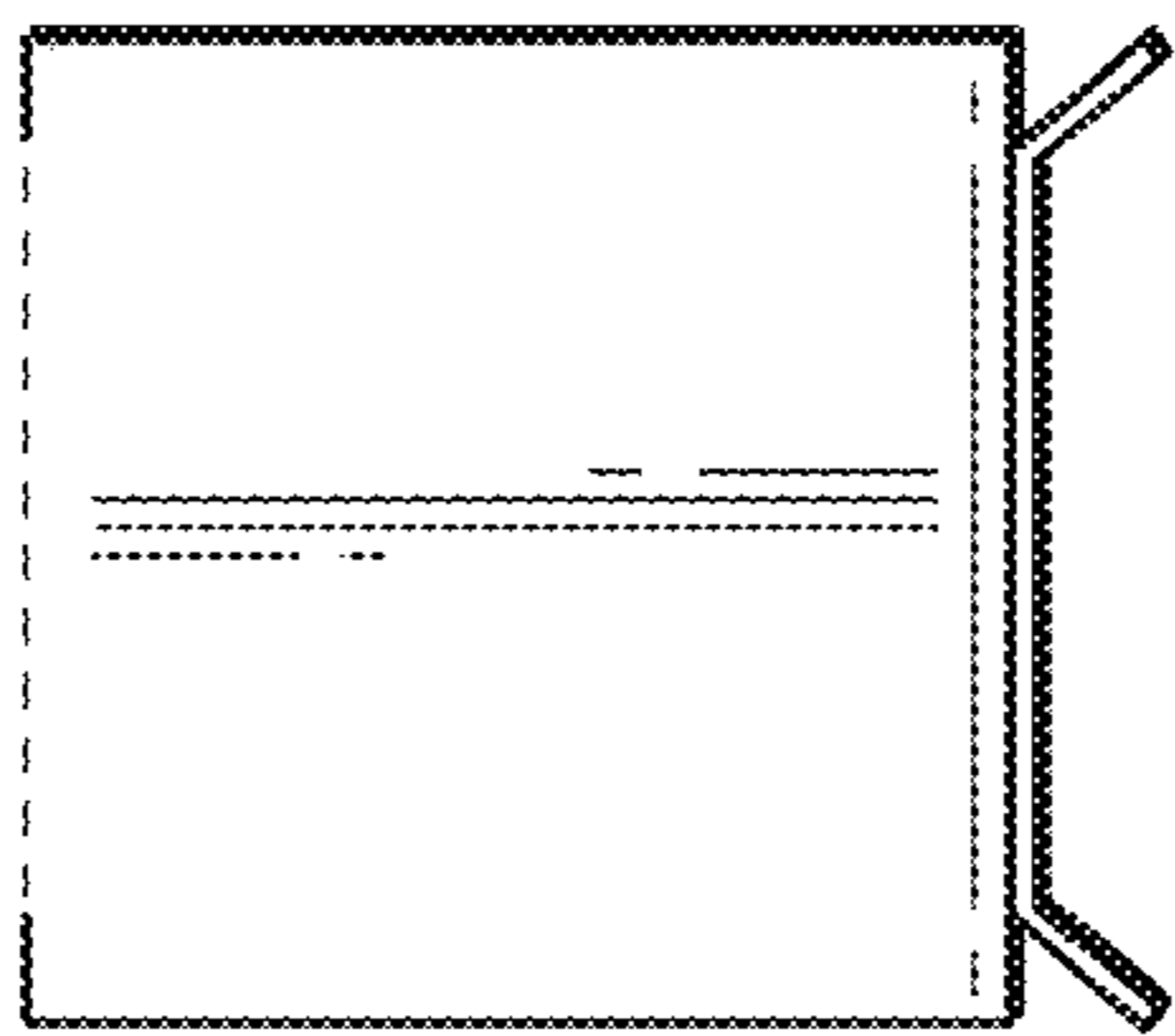


FIG. 4

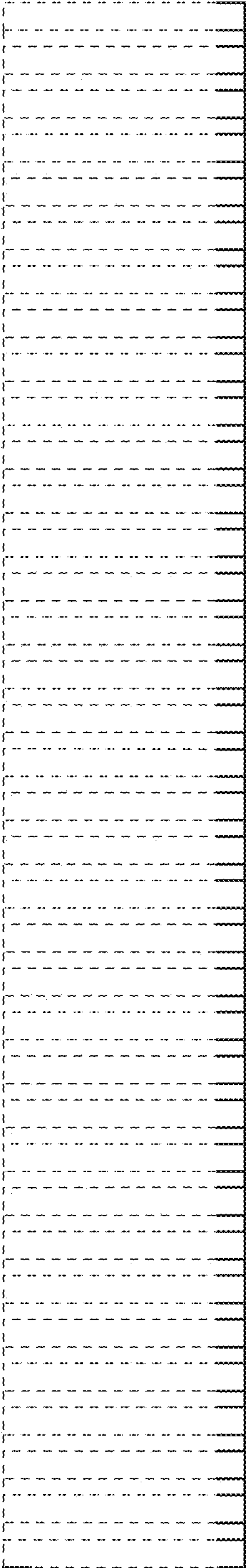


FIG. 6

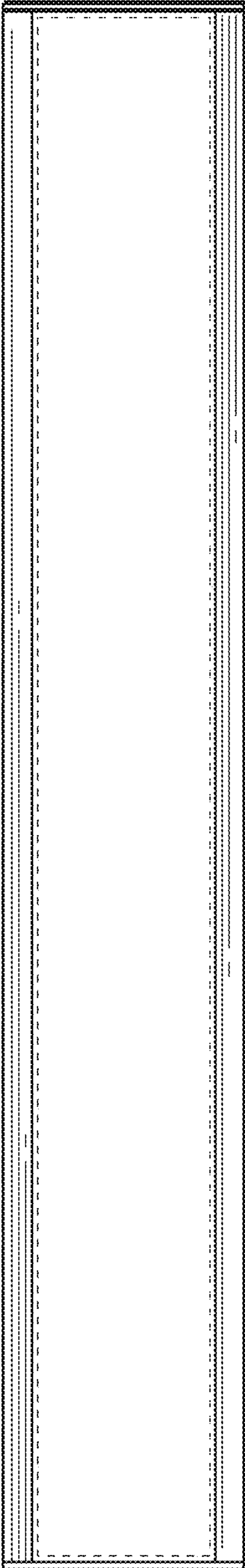


FIG. 7