



US00D908946S

(12) **United States Design Patent** (10) **Patent No.:** **US D908,946 S**
Lainez et al. (45) **Date of Patent:** **** Jan. 26, 2021**

(54) **LUMINAIRE**

(71) Applicant: **SIMON, S.A.U.**, Barcelona (ES)
(72) Inventors: **Marta Portillo Lainez**, Barcelona (ES);
Adria Rique Rebull, Barcelona (ES);
Clara Batiste Mayas, Barcelona (ES);
Salvi Plaja Miro, Barcelona (ES)

(73) Assignee: **SIMON, S.A.U.**

(**) Term: **15 Years**

(21) Appl. No.: **35/506,934**

(22) Filed: **Sep. 17, 2018**

(80) **Hague Agreement Data**

Int. Filing Date: **Sep. 17, 2018**
Int. Reg. No.: **DM/201365**
Int. Reg. Date: **Sep. 17, 2018**
Int. Reg. Pub. Date: **Jun. 21, 2019**

(30) **Foreign Application Priority Data**

Mar. 16, 2018 (EP) 004761427

(51) **LOC (13) Cl.** **26-05**

(52) **U.S. Cl.**
USPC **D26/87**

(58) **Field of Classification Search**
USPC D26/72, 74, 76, 78-83, 90, 93, 111, 113,
D26/118, 119, 120, 121, 122, 138, 139,
D26/140, 141, 142, 152, 85-88
CPC F21S 2/00; F21S 4/00; F21S 4/003; F21S
4/005; F21S 4/006; F21S 4/007; F21S
4/008; F21S 6/00; F21S 8/00; F21S
8/024; F21S 8/026; F21S 8/031; F21S
8/033; F21S 8/035-037; F21S 8/04; F21S
8/043; F21S 8/063

See application file for complete search history.

(56) **References Cited**

U.S. PATENT DOCUMENTS

D465,298 S *	11/2002	Gottwald	D26/85
D487,814 S *	3/2004	Hoernig	D26/82
D549,383 S *	8/2007	Duggan	D26/85
D656,264 S *	3/2012	Janssen	D26/85
D659,281 S *	5/2012	Patkus	D26/137
D681,867 S *	5/2013	Wegger	D26/124
D699,387 S *	2/2014	Snell	D26/124
D731,694 S *	6/2015	Tomlinson	D26/128
D736,993 S *	8/2015	Wang	D26/124
D743,079 S *	11/2015	Adair	D26/67
D764,592 S *	8/2016	Zenoff	D20/42
D821,628 S *	6/2018	Amato	D26/87
D822,888 S *	7/2018	Arndt	D26/124
D848,653 S *	5/2019	Gines	D26/63
D854,222 S *	7/2019	Hecht	D26/88
D866,839 S *	11/2019	Yan	D26/67
D866,843 S *	11/2019	Benghozi	D26/87
D867,646 S *	11/2019	Flindt	D26/85

* cited by examiner

Primary Examiner — Natasha Vujcic

(74) *Attorney, Agent, or Firm* — Hayes Soloway PC

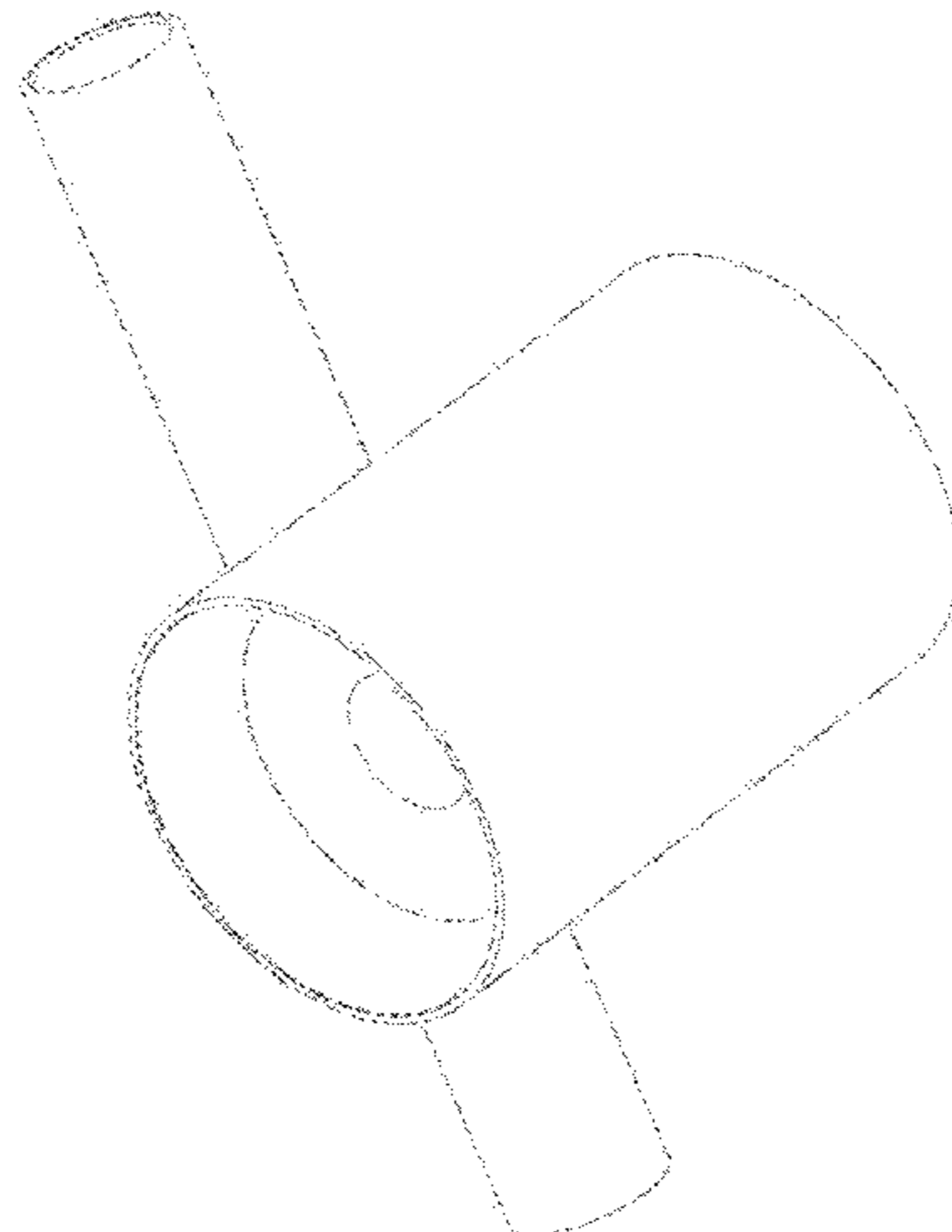
(57) **CLAIM**

The ornamental design for that represents luminaire, as shown and described.

DESCRIPTION

- 1.1 is a front view.
- 1.2 is a rear view.
- 1.3 is a top view.
- 1.4 is a right side view.
- 1.5 is a left side view.
- 1.6 is a bottom view.
- 1.7 is a perspective view.

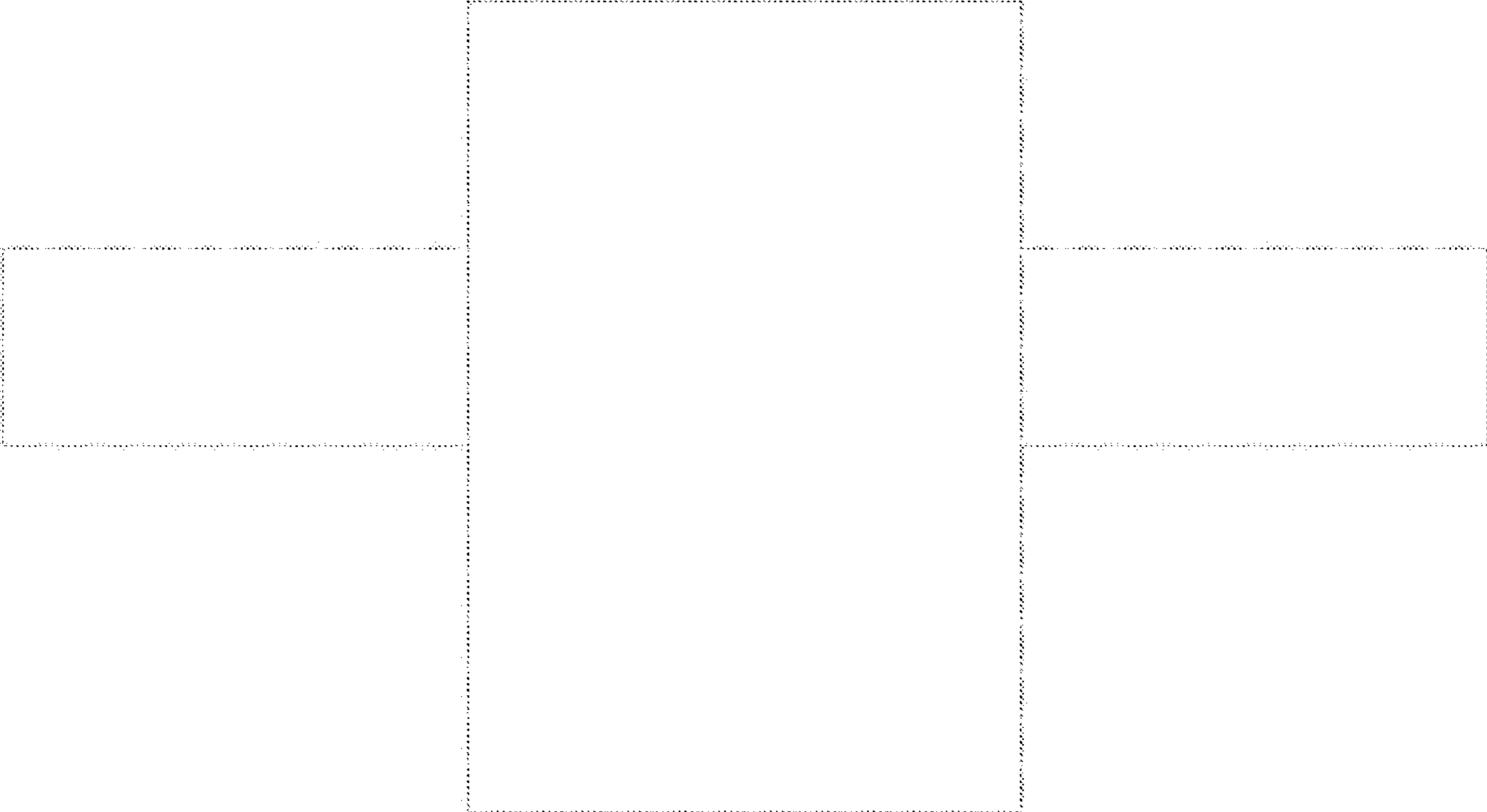
(Continued)



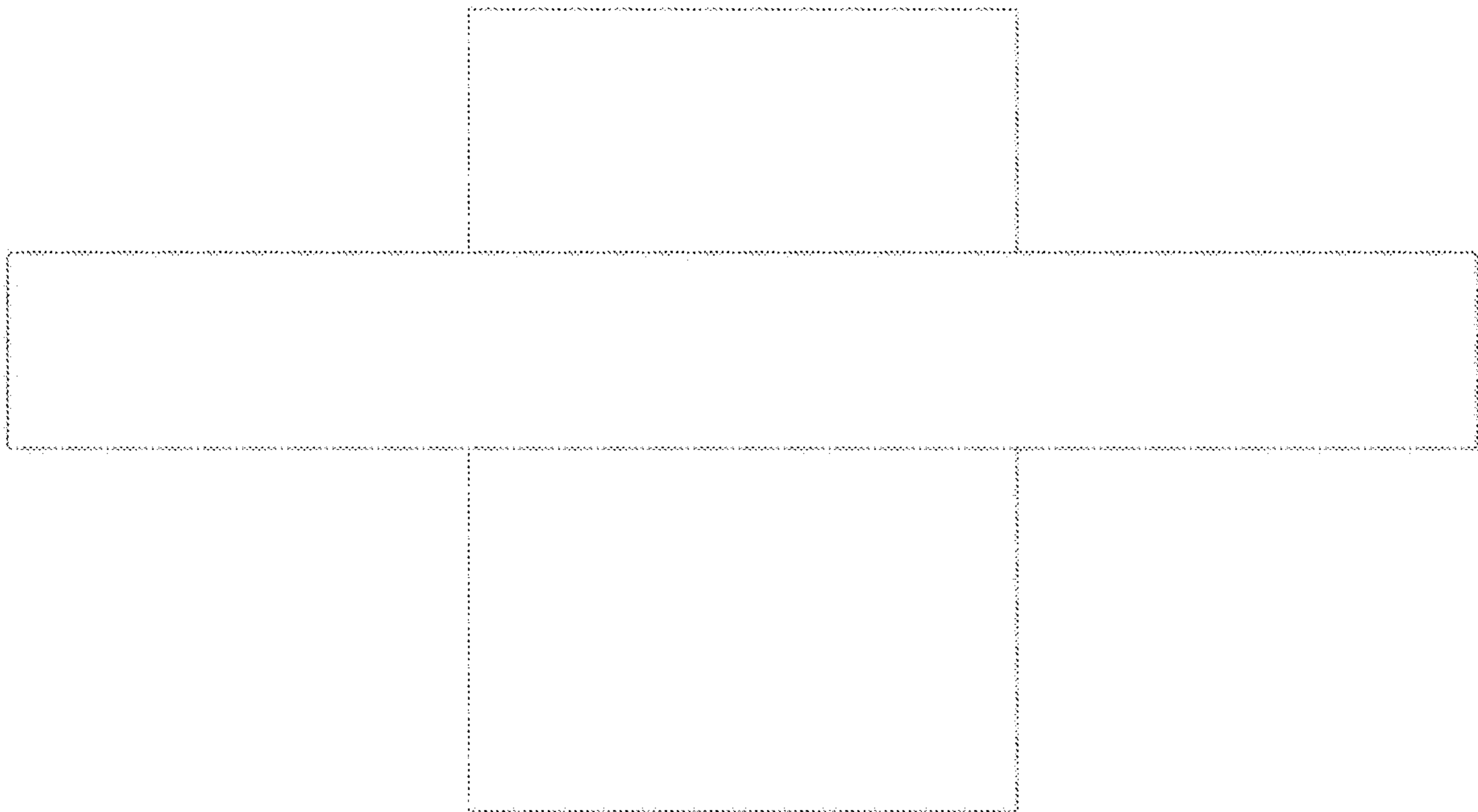
The broken lines in the drawings illustrate portions of luminaire and form no part of the claimed design.

1 Claim, 7 Drawing Sheets

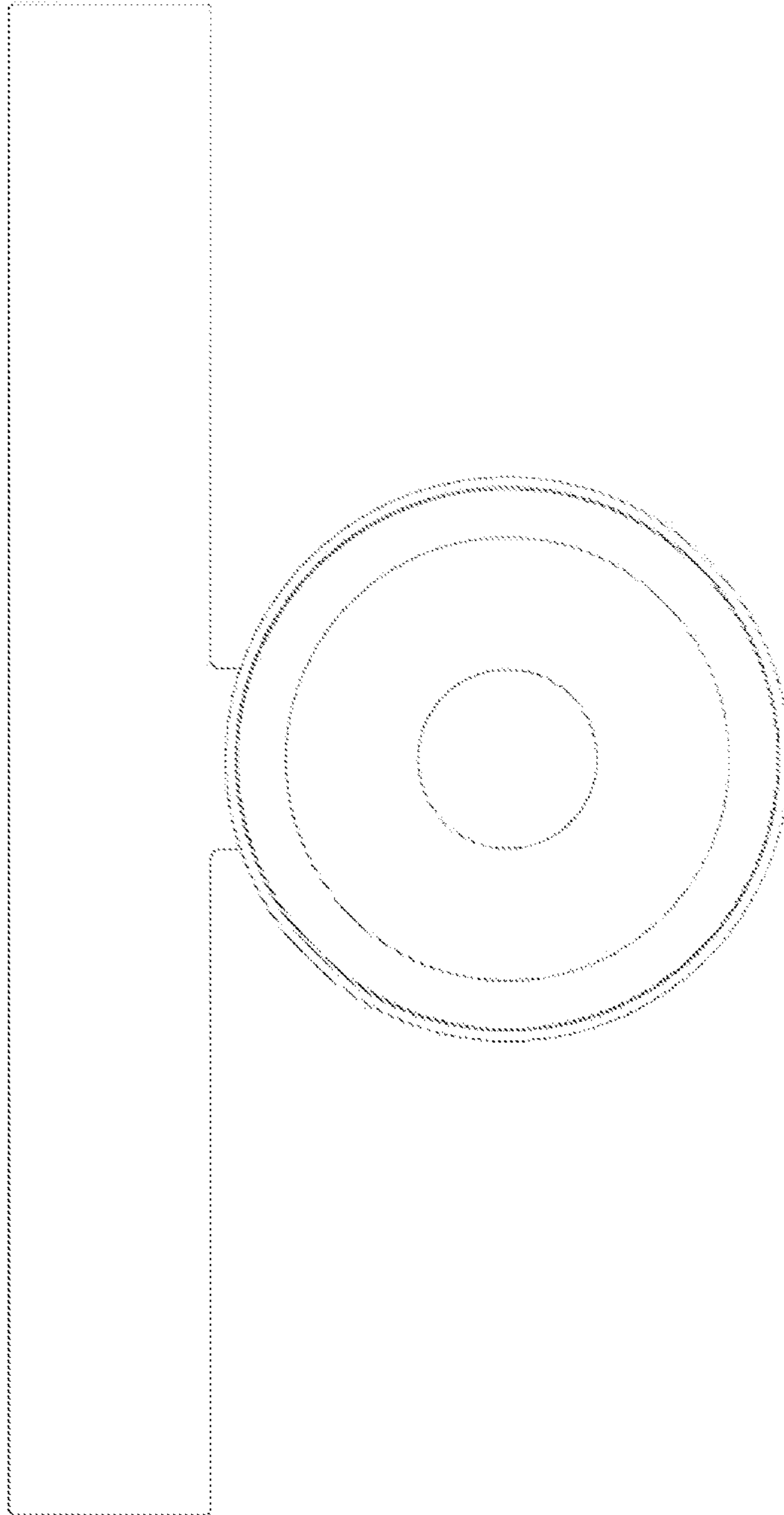
1.1



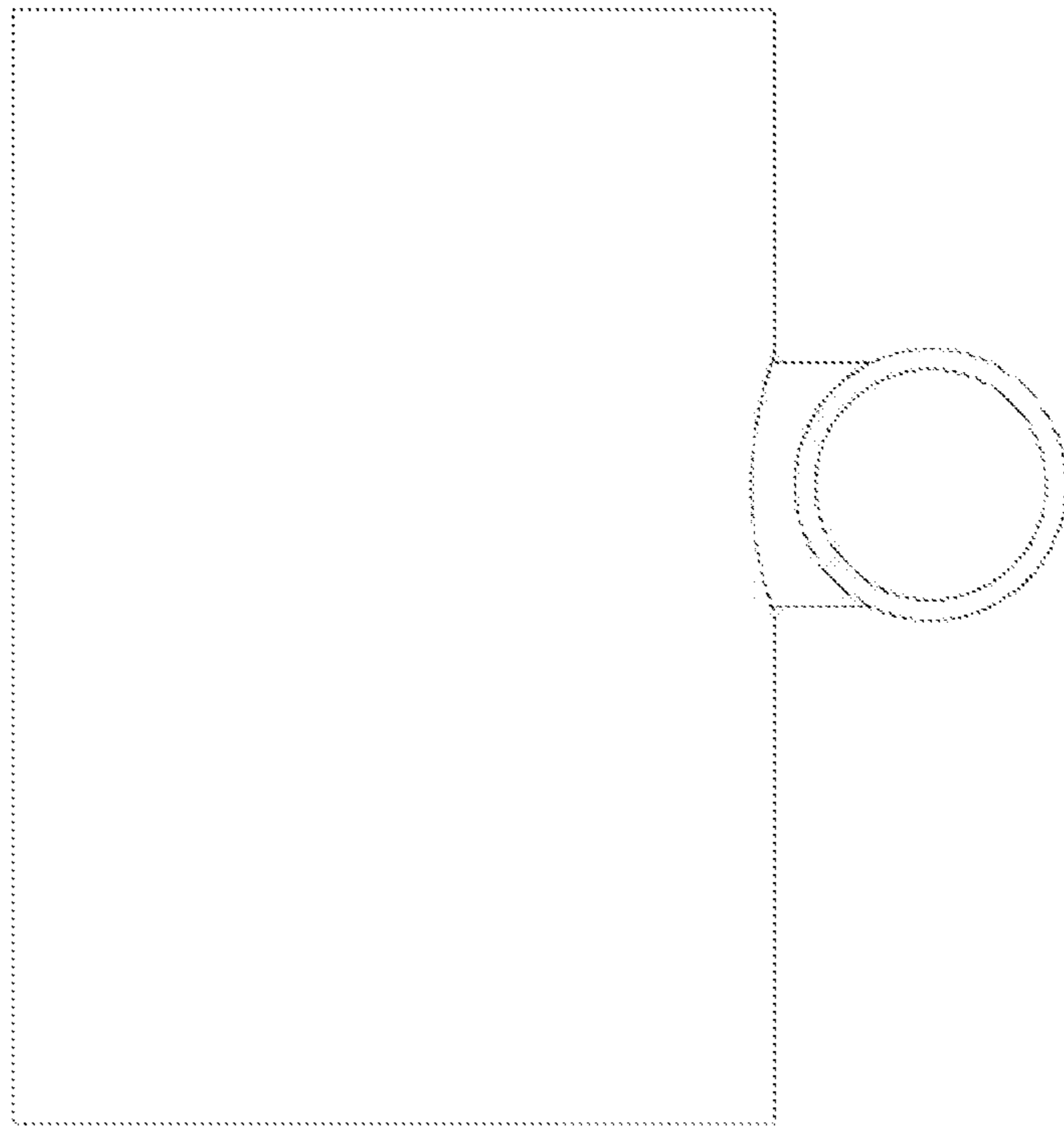
1.2



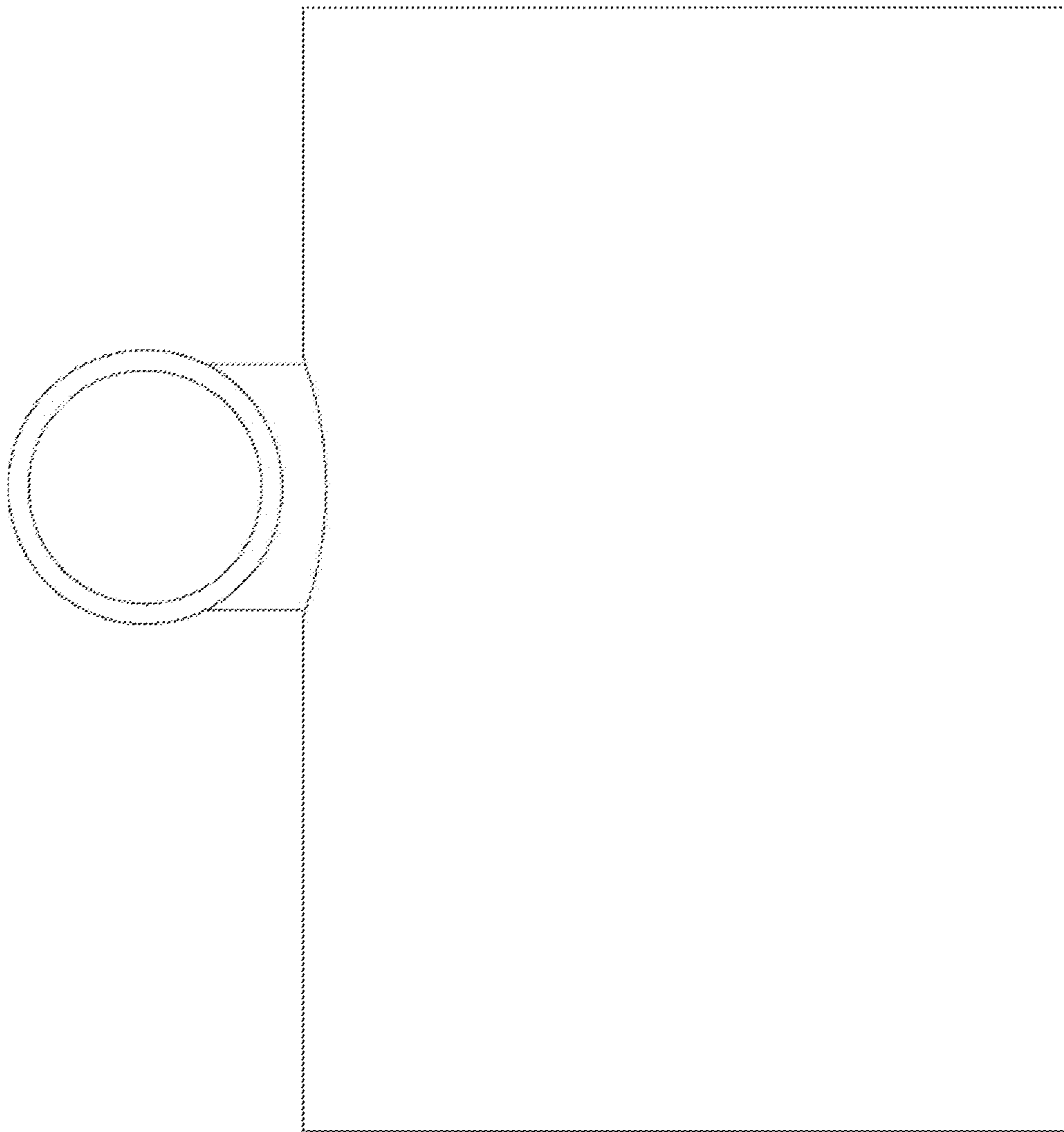
1.3



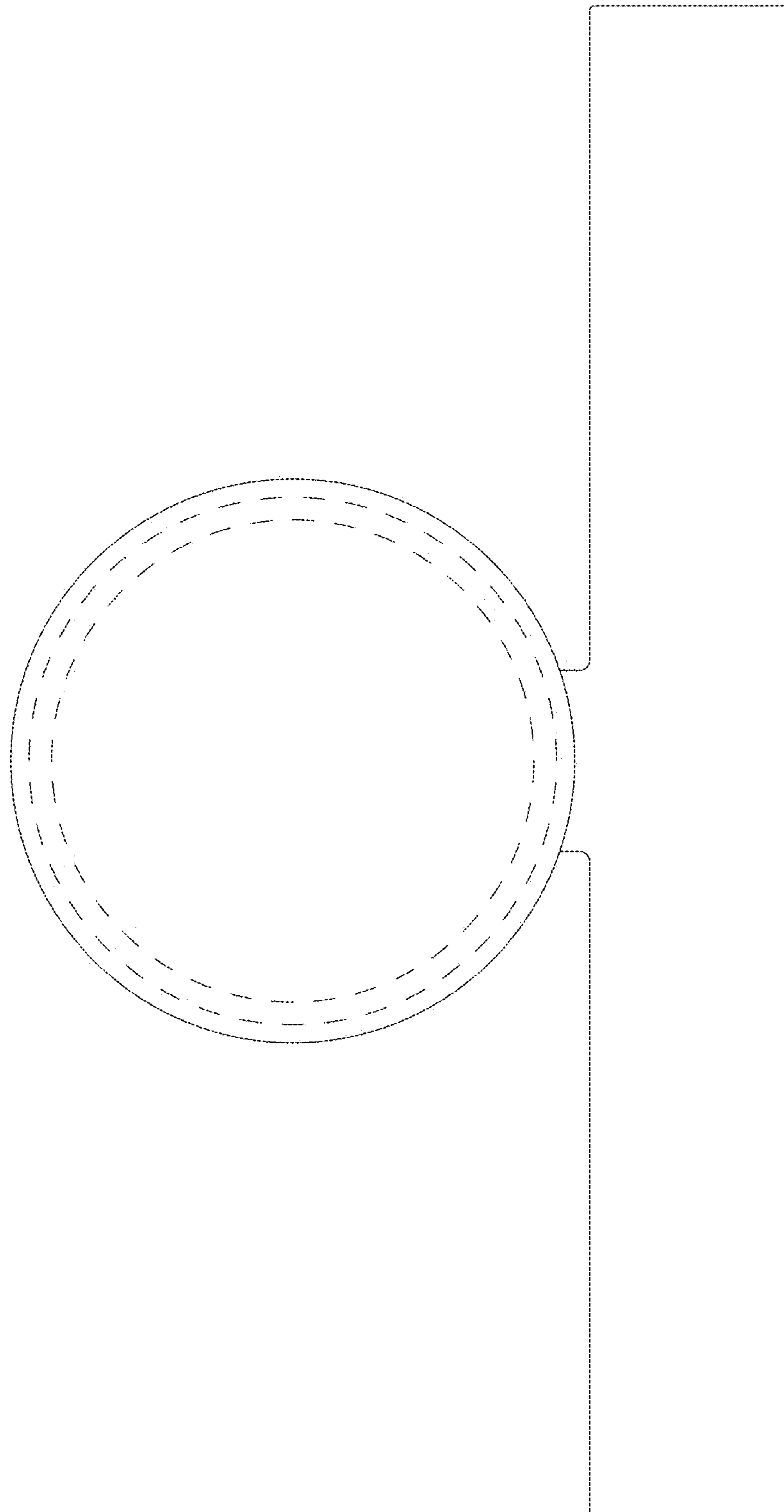
1.4



1.5



1.6



1.7

