



US00D908945S

(12) **United States Design Patent**
Zheng

(10) **Patent No.:** **US D908,945 S**

(45) **Date of Patent:** **** Jan. 26, 2021**

(54) **LAMP**

(71) Applicant: **Nan Zheng**, Shenzhen (CN)

(72) Inventor: **Nan Zheng**, Shenzhen (CN)

(**) Term: **15 Years**

(21) Appl. No.: **29/740,874**

(22) Filed: **Jul. 8, 2020**

(51) **LOC (13) Cl.** **26-03**

(52) **U.S. Cl.**
USPC **D26/86; D26/61**

(58) **Field of Classification Search**
USPC D26/72, 76, 80, 85-87, 92, 61
CPC F21S 8/03; F21S 8/031; F21S 8/033; F21S
8/035; F21S 8/036
See application file for complete search history.

(56) **References Cited**

U.S. PATENT DOCUMENTS

D501,060 S *	1/2005	Lee	D26/80
D608,488 S *	1/2010	Miranda	D26/87
D655,844 S *	3/2012	Sabernig	D26/63
D816,881 S *	5/2018	Qiao	D26/86
D816,882 S *	5/2018	Qiao	D26/86
D822,233 S	7/2018	Wang et al.		
D869,730 S *	12/2019	Lin	D26/80
D879,353 S *	3/2020	Lin	D26/87
D879,354 S *	3/2020	Lin	D26/87
D898,269 S *	10/2020	Huang	D26/86
2013/0077295 A1 *	3/2013	Hayashi	H05K 1/0271 362/217.05

OTHER PUBLICATIONS

16W Bathroom Vanity Light from the Ikakon Store at amazon.com, available Jan. 22, 2019. (Year: 2019).*

Ralbay LED Modern Vanity Light available at amazon.com Apr. 20, 2020. (Year: 2020).*

* cited by examiner

Primary Examiner — Clare E Heflin

(74) *Attorney, Agent, or Firm* — ZANIP

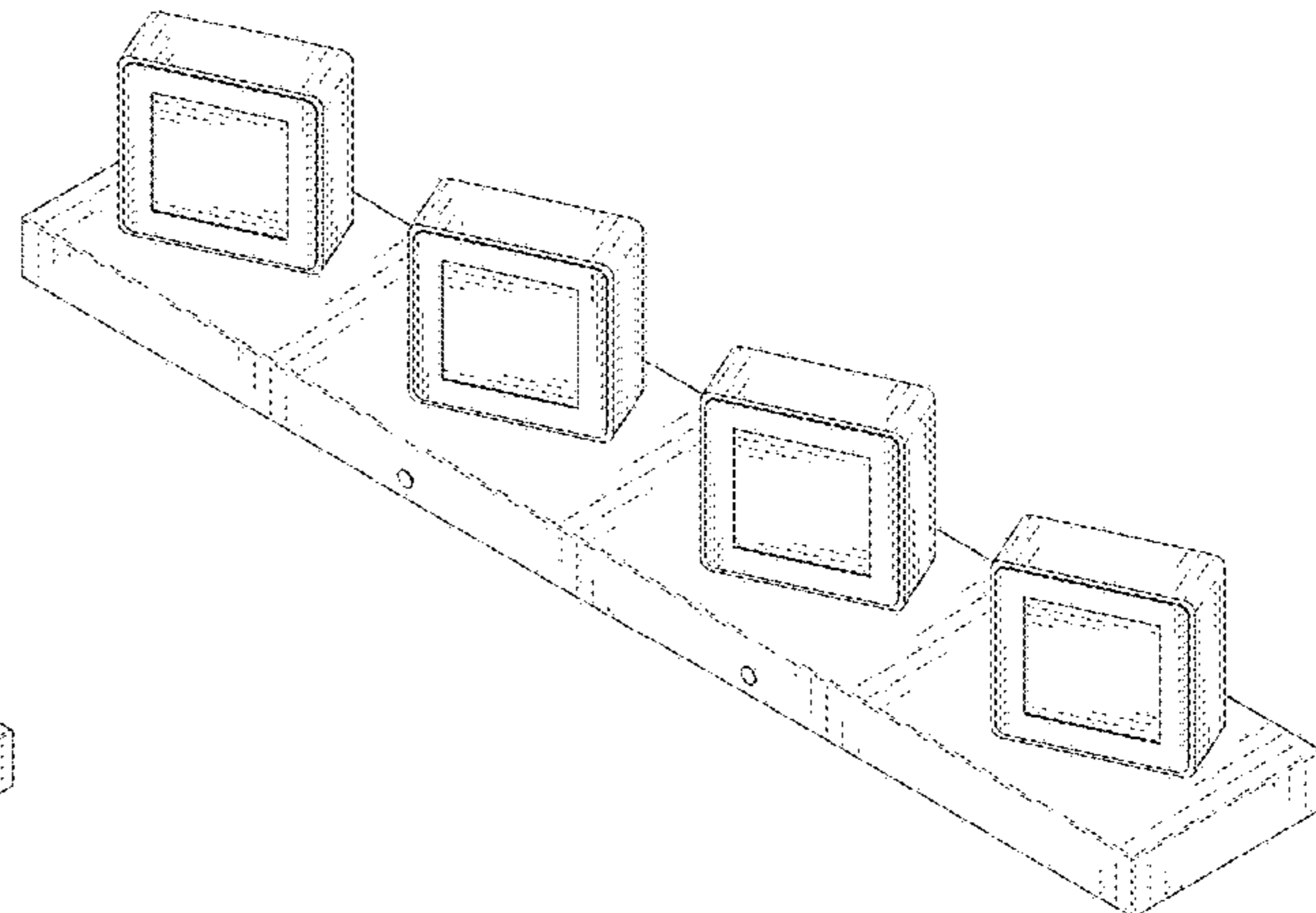
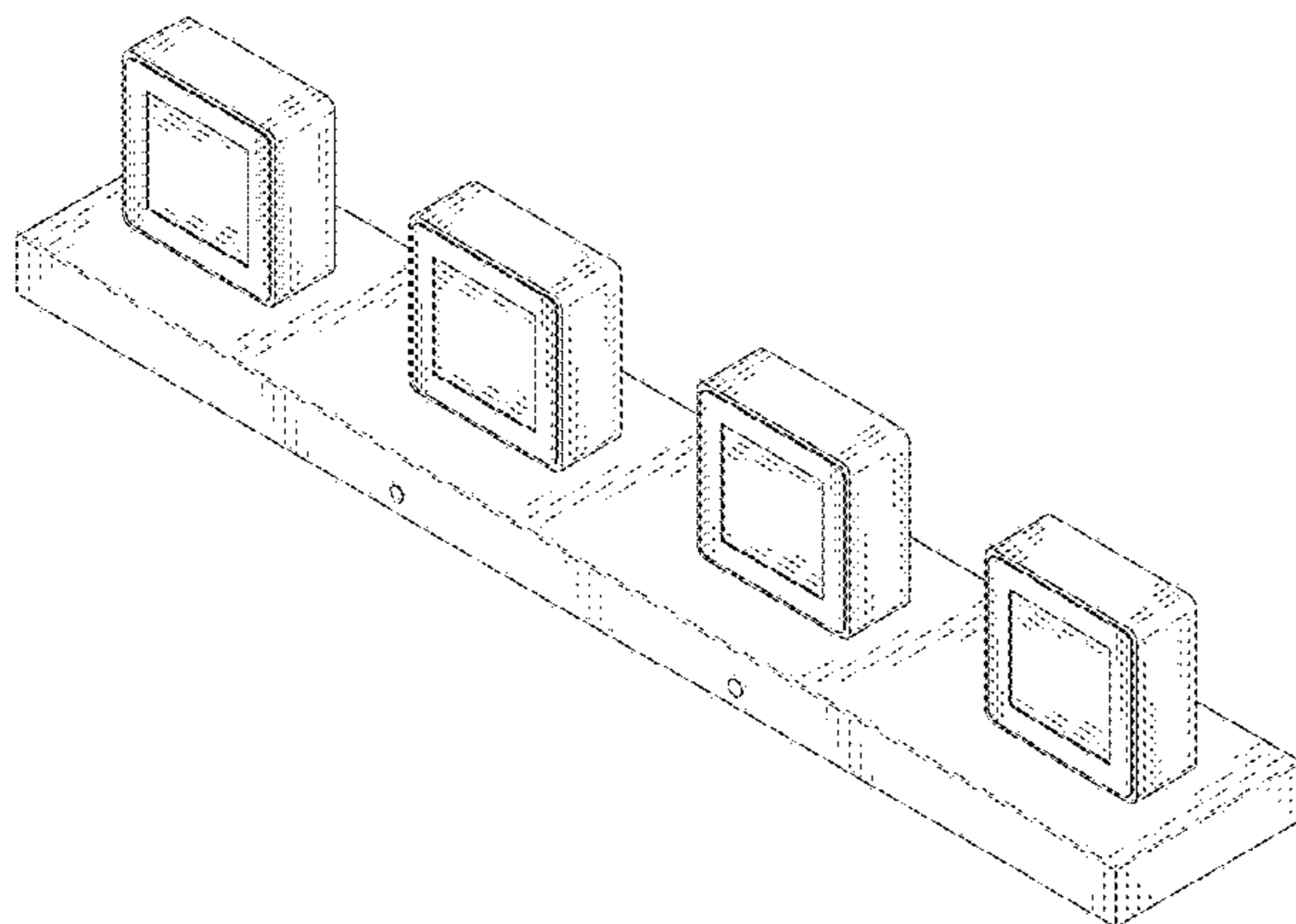
(57) **CLAIM**

The ornamental design for a lamp, as shown and described.

DESCRIPTION

FIG. 1 is a front and top perspective view of a lamp, showing my new design;
FIG. 2 is a rear and bottom perspective view thereof;
FIG. 3 is a top plan view thereof;
FIG. 4 is a bottom plan view thereof;
FIG. 5 is a left side elevation view thereof;
FIG. 6 is a right side elevation view thereof;
FIG. 7 is a front elevation view thereof;
FIG. 8 is a rear elevation view thereof; and,
FIG. 9 is a perspective view thereof, showing the lamp in a rotated position.
The broken lines in the figures illustrate portions of the article that form no part of the claimed design.

1 Claim, 9 Drawing Sheets



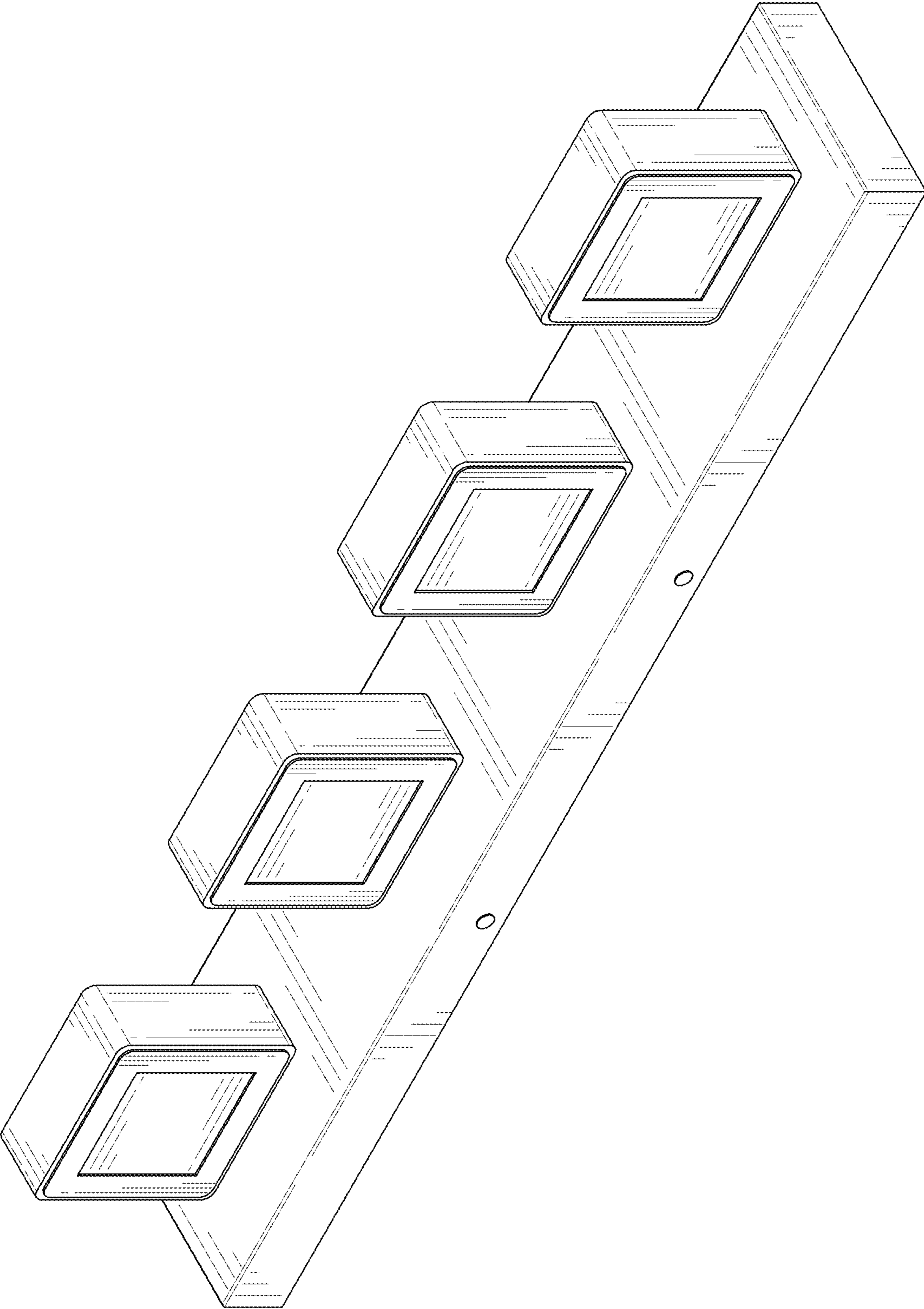


FIG. 1

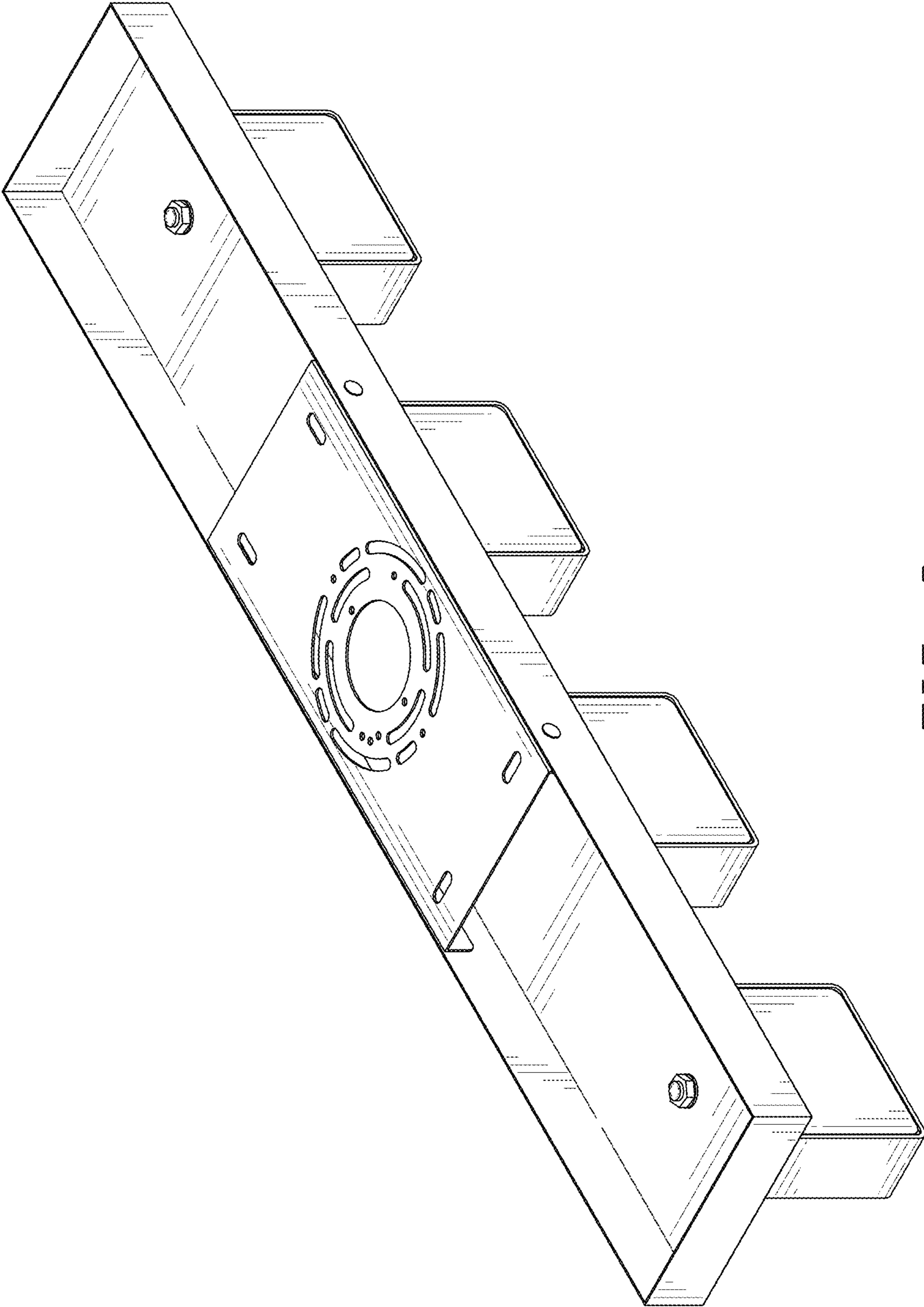


FIG. 2

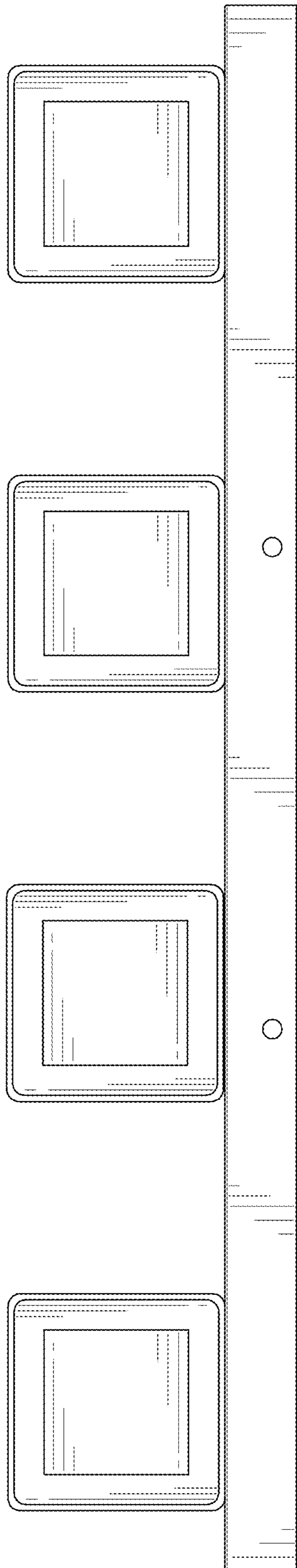


FIG. 3

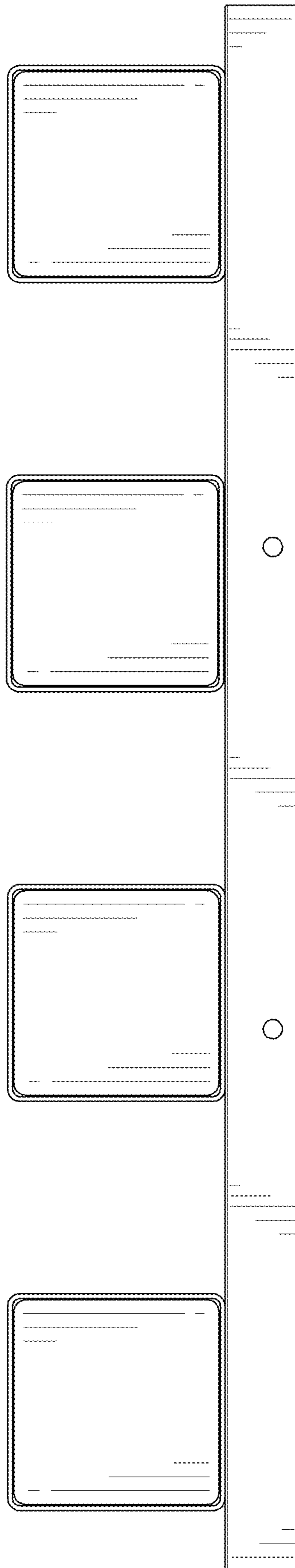


FIG. 4

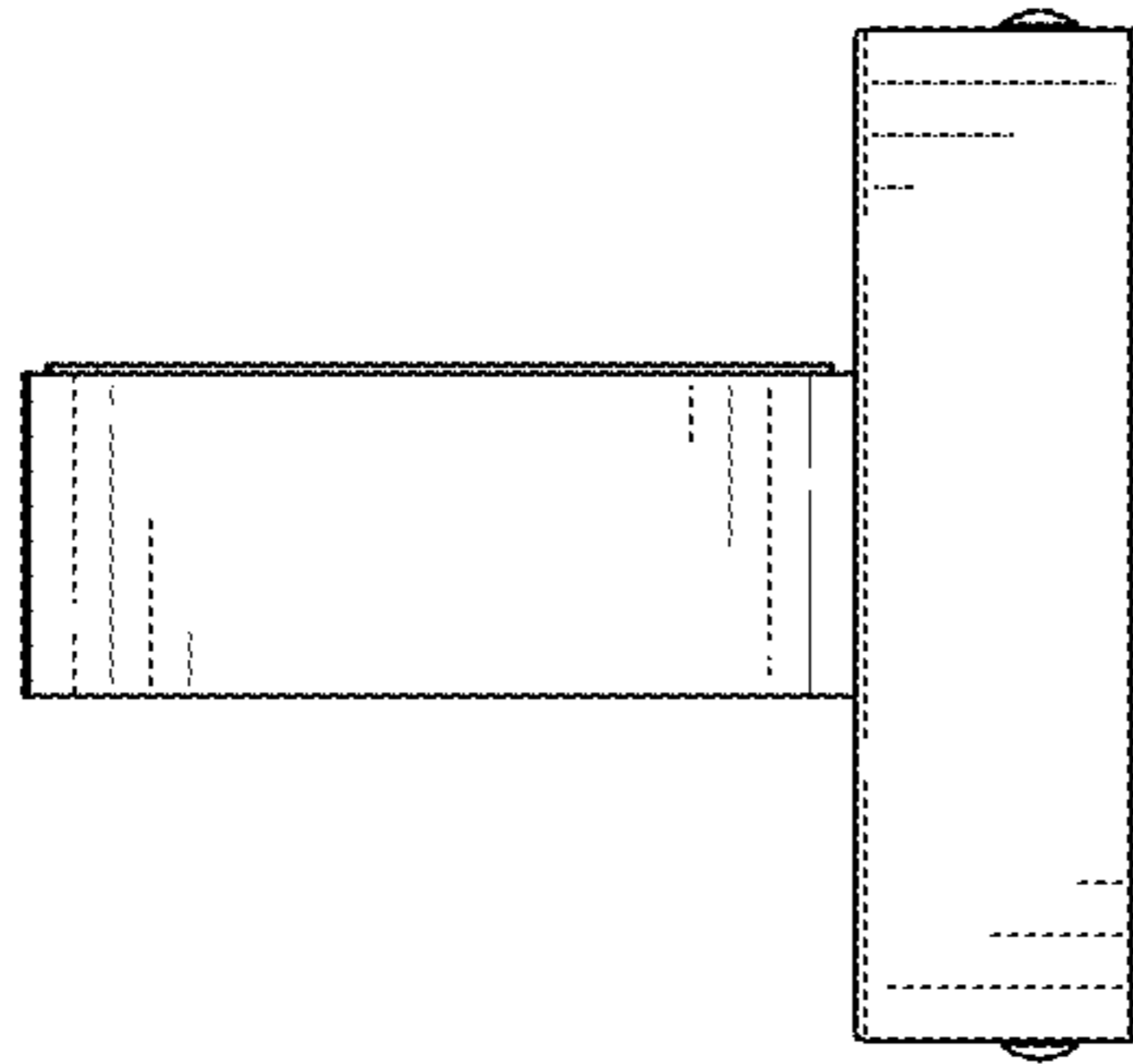


FIG. 5

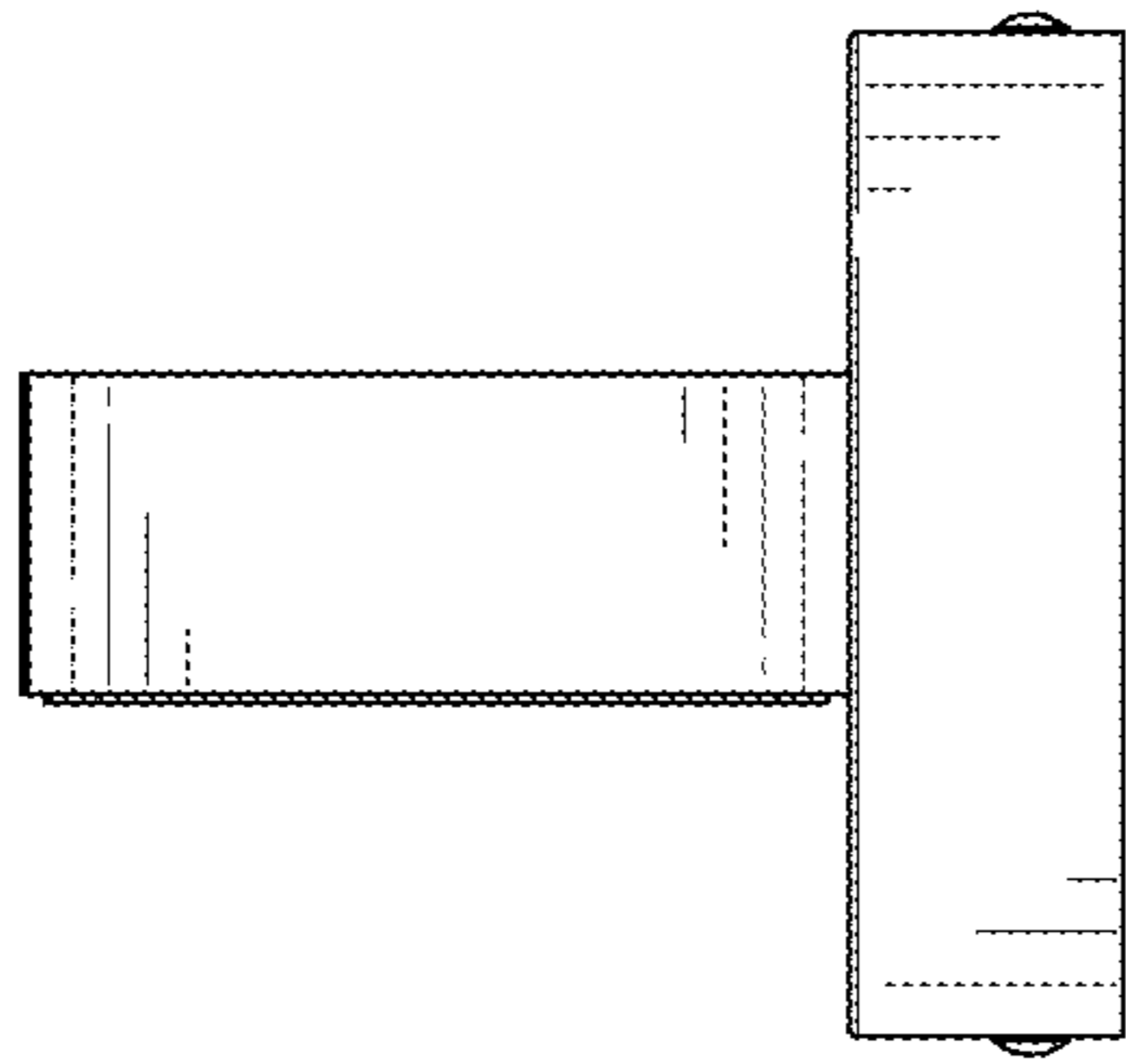


FIG. 6

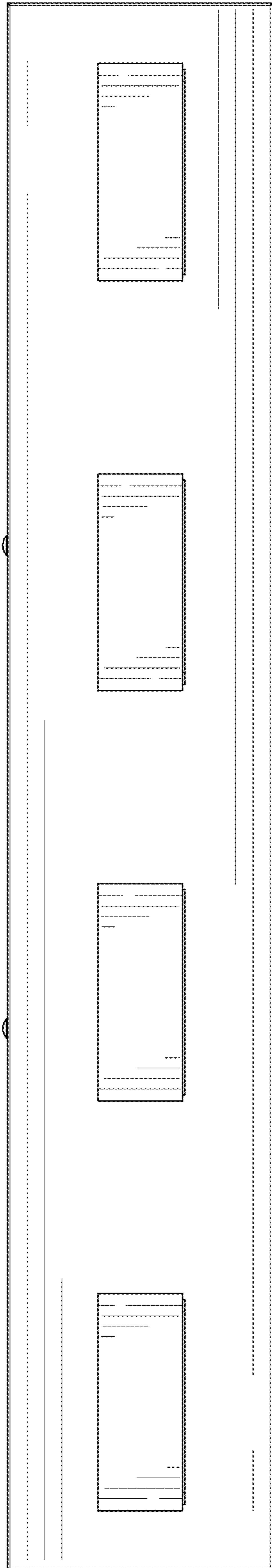


FIG. 7

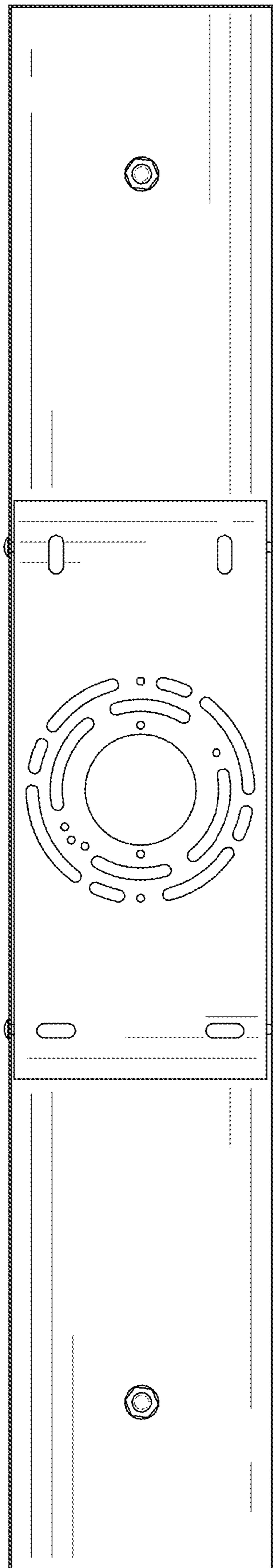


FIG. 8

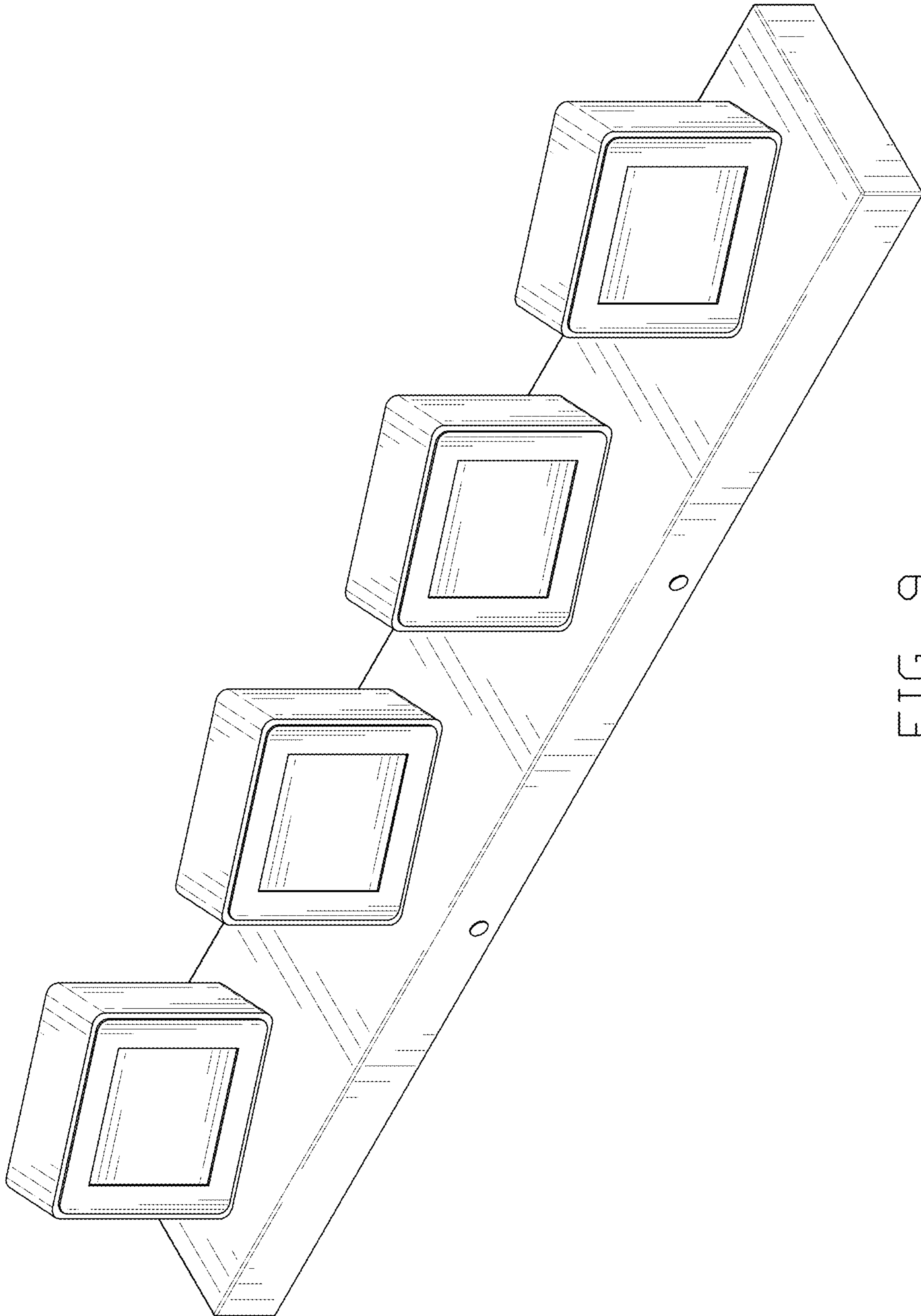


FIG. 9