



US00D908941S

(12) **United States Design Patent**
Cai

(10) **Patent No.:** **US D908,941 S**

(45) **Date of Patent:** **** Jan. 26, 2021**

(54) **ADJUSTABLE LED LAMP**

(71) Applicant: **Yapei Cai, Songzi (CN)**

(72) Inventor: **Yapei Cai, Songzi (CN)**

(**) Term: **15 Years**

(21) Appl. No.: **29/713,147**

(22) Filed: **Nov. 14, 2019**

(30) **Foreign Application Priority Data**

Jul. 13, 2019 (CN) 2019 3 0373385

(51) **LOC (13) Cl.** **26-03**

(52) **U.S. Cl.**
USPC **D26/63**

(58) **Field of Classification Search**

USPC D26/25, 63, 65, 61
CPC F21S 8/04; F21S 8/00; F21S 8/036; F21S 8/038; F21S 8/043; F21S 8/081; F21S 8/083; F21S 8/085; F21S 8/086; F21S 8/088; F21S 13/10; F21S 9/03; F21S 9/035; F21S 9/037; F21S 6/003; F21V 21/00; F21V 17/02; F21V 14/02; F21V 21/30; F21V 21/14; F21V 21/26; F21W 2131/10

See application file for complete search history.

(56) **References Cited**

U.S. PATENT DOCUMENTS

D578,696 S * 10/2008 Wang D26/70
D884,952 S * 5/2020 Cao D26/63

D885,629 S * 5/2020 Liu D26/63
D885,630 S * 5/2020 Lin D26/63
D887,610 S * 6/2020 Wei D26/63
2009/0237927 A1 * 9/2009 Zheng F21S 8/086
362/235

* cited by examiner

Primary Examiner — Brian N. Vinson

(74) *Attorney, Agent, or Firm* — Matthias Scholl P.C.;
Matthias Scholl

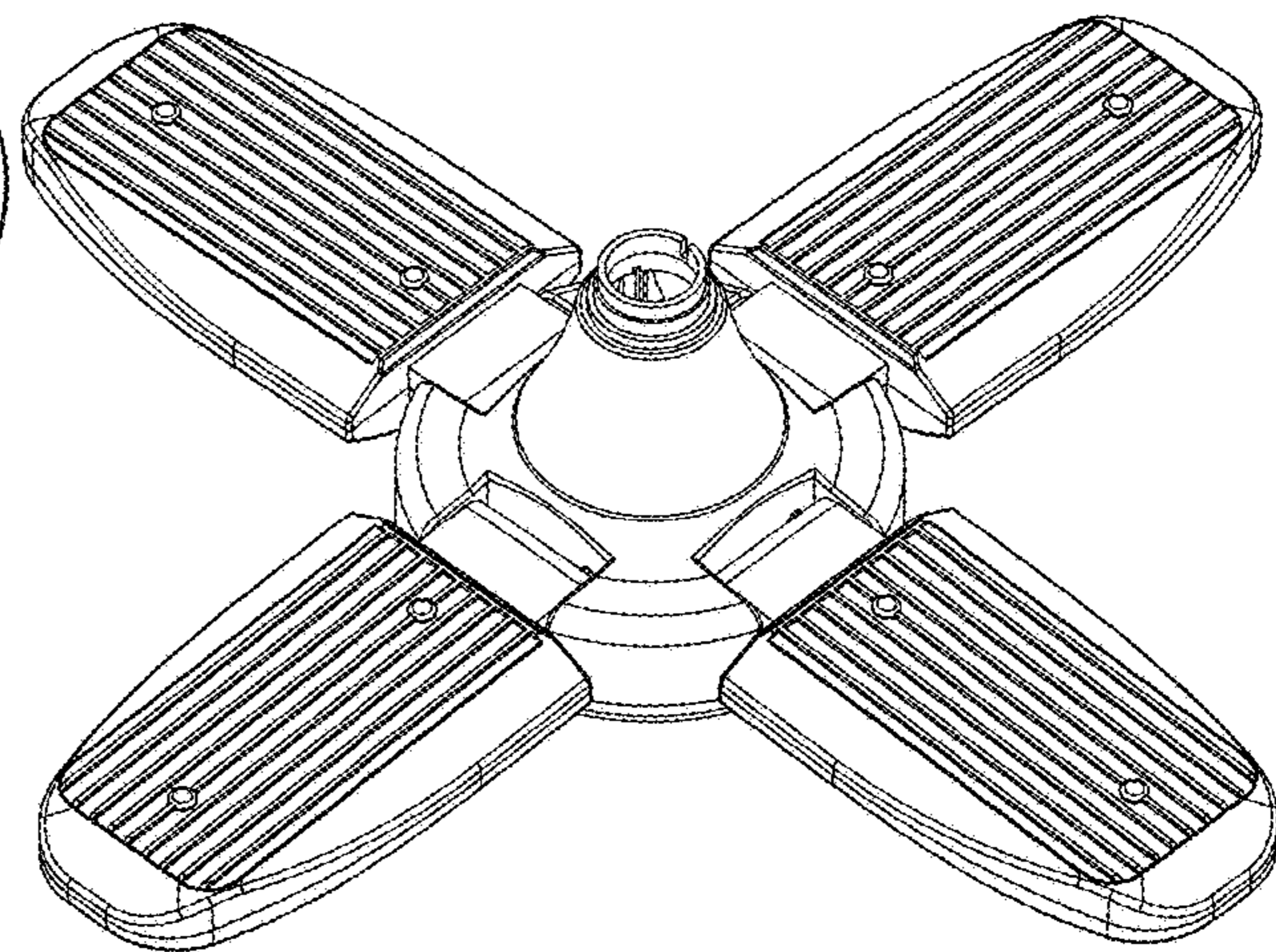
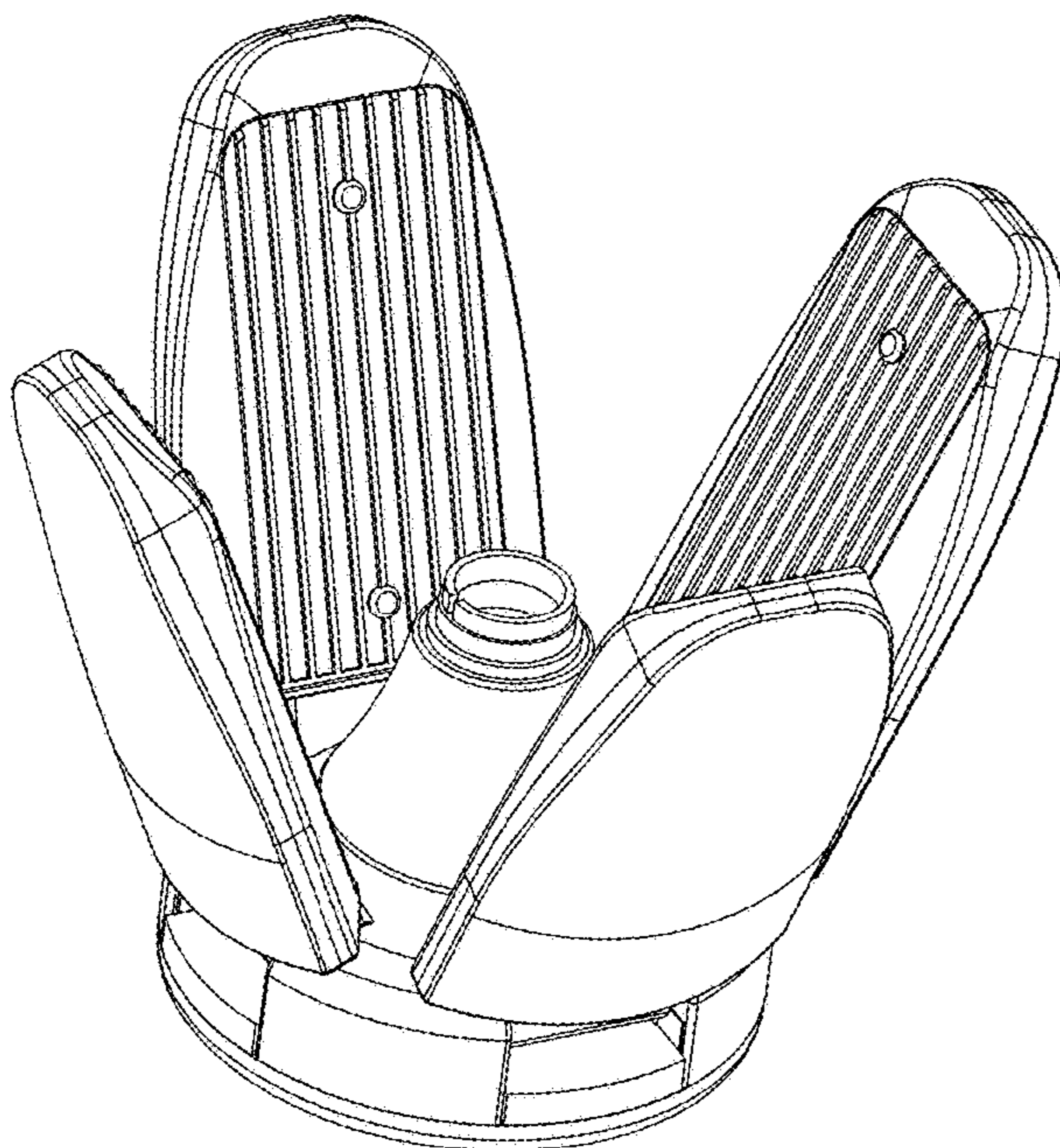
(57) **CLAIM**

The ornamental design for an adjustable LED lamp, as shown and described.

DESCRIPTION

FIG. 1 is a front elevation view of an adjustable LED lamp; FIG. 2 is a rear elevation view thereof; FIG. 3 is a left-side elevation view thereof; FIG. 4 is a right-side elevation view thereof; FIG. 5 is a top plan view thereof; FIG. 6 is a bottom plan view thereof; FIG. 7 is a perspective view in a 45-degree angle folded state thereof; FIG. 8 is a perspective view in a fully folded state thereof; and, FIG. 9 is a perspective view in a fully unfolded state thereof.

1 Claim, 9 Drawing Sheets



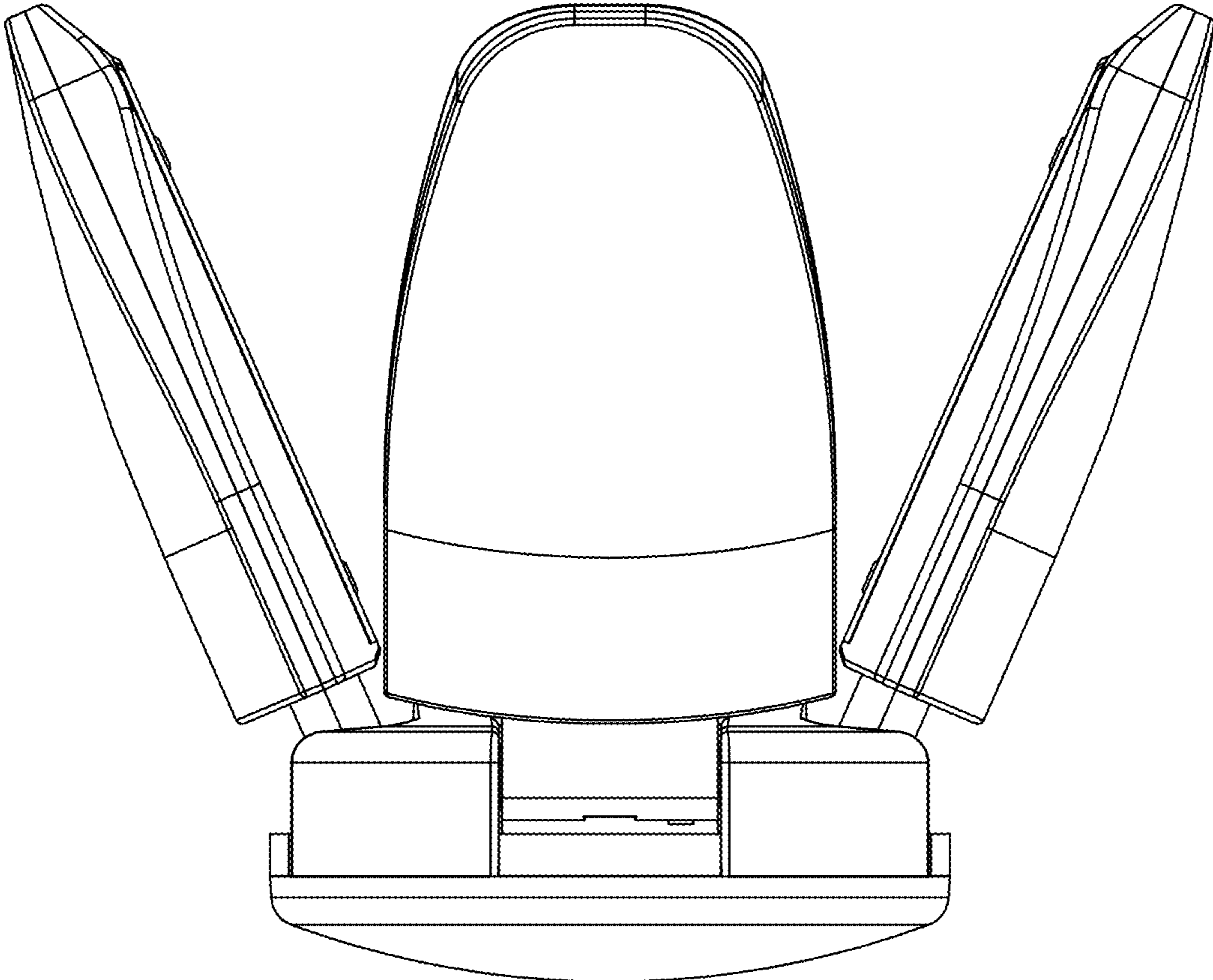


FIG. 1

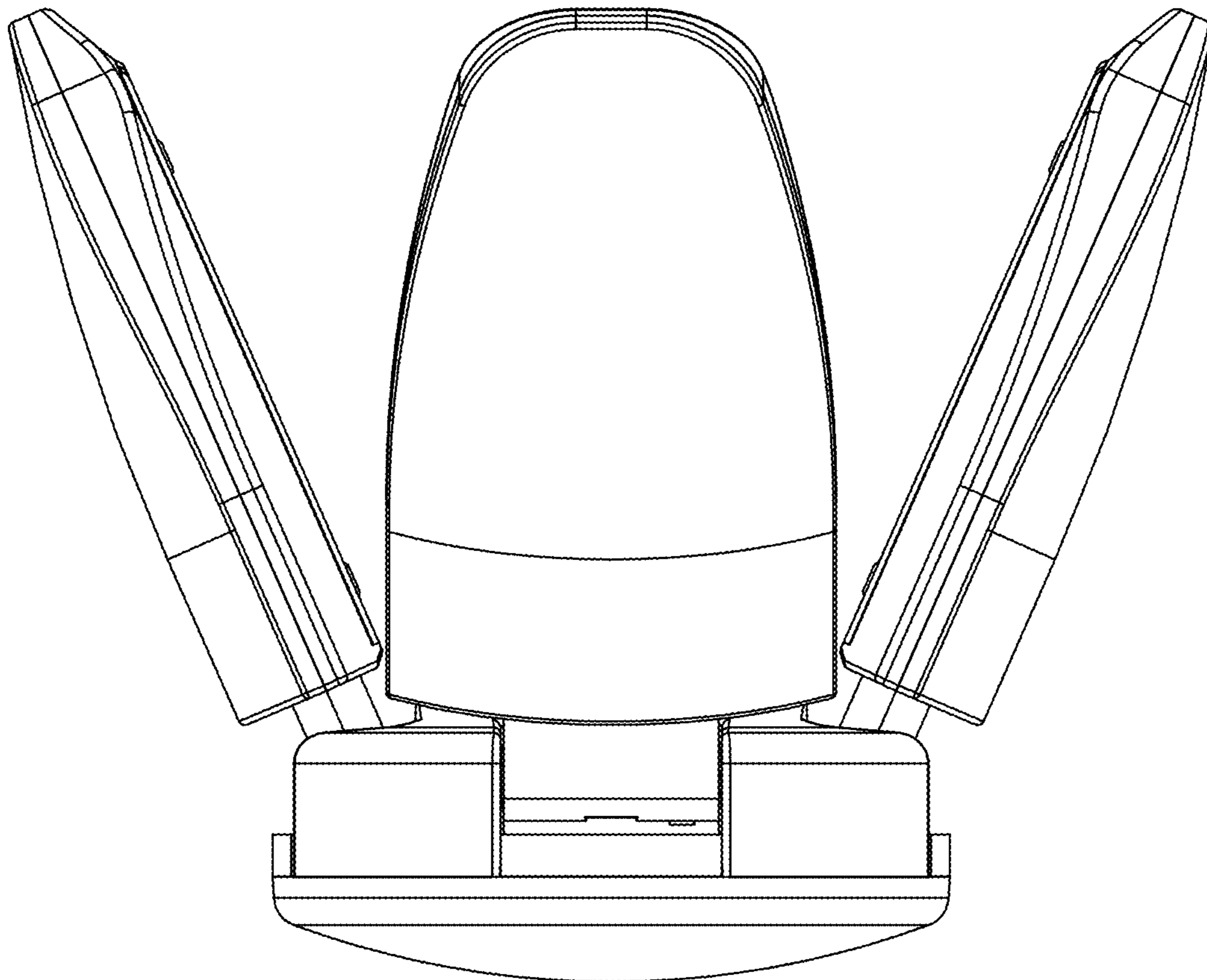


FIG. 2

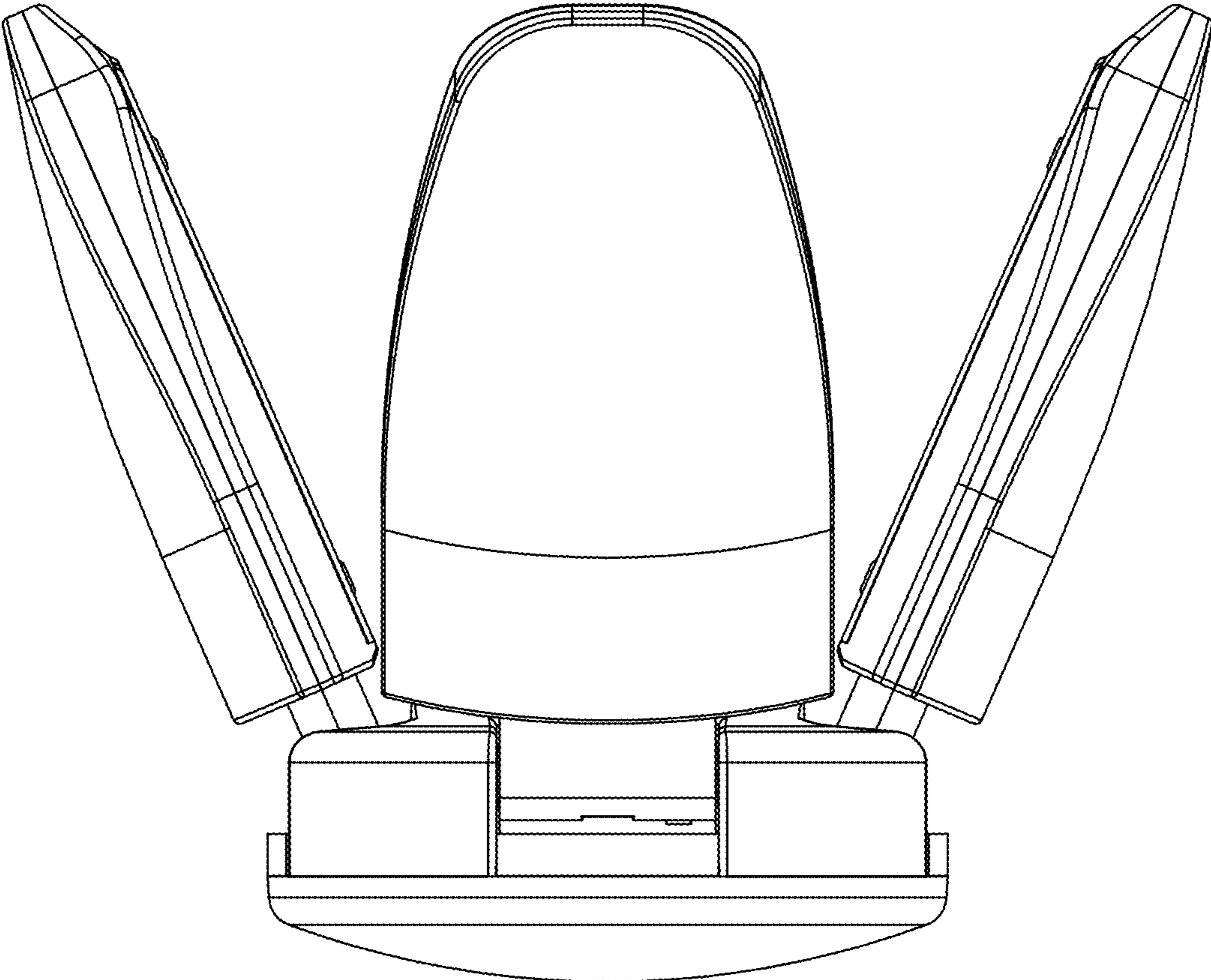


FIG. 3

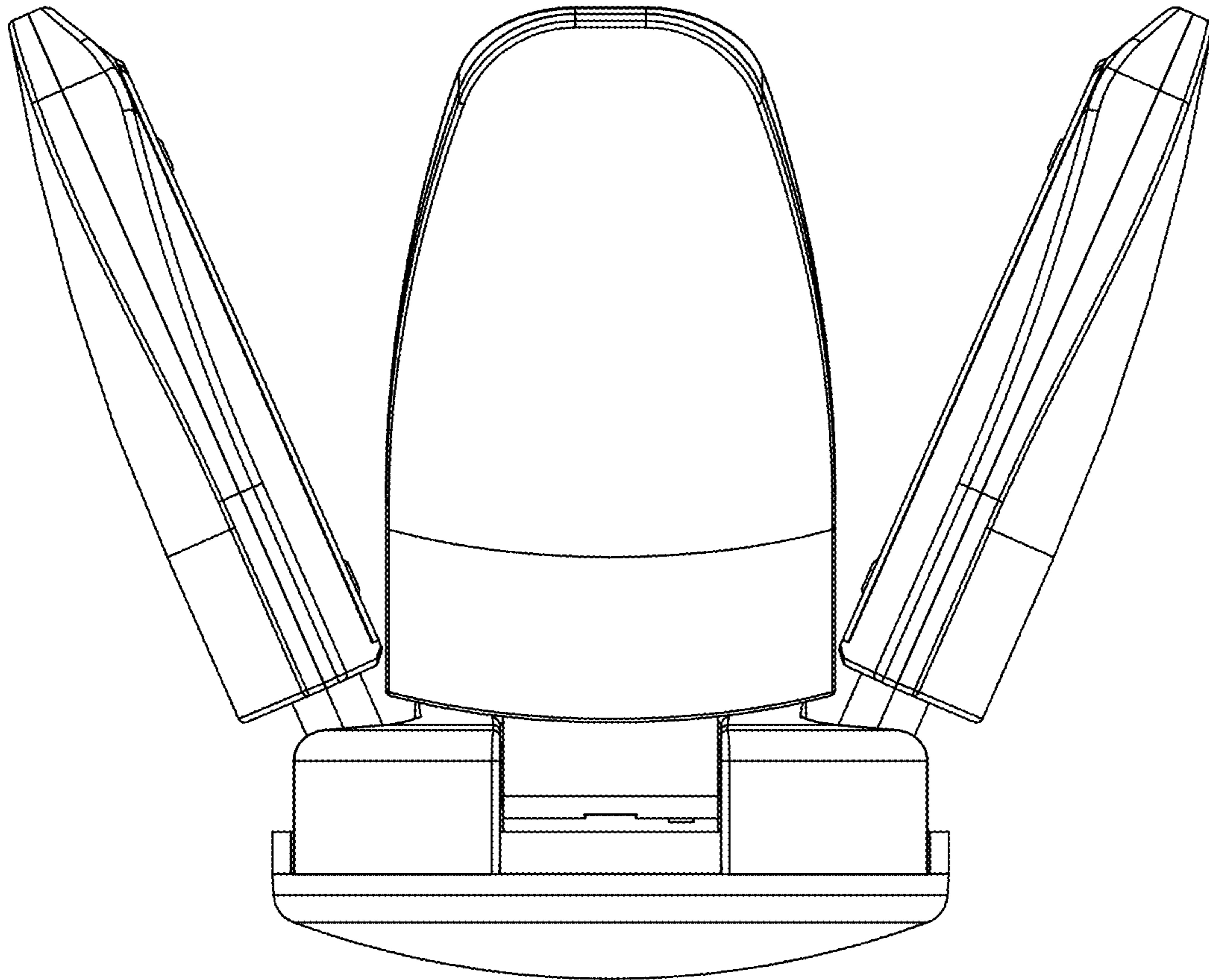


FIG. 4

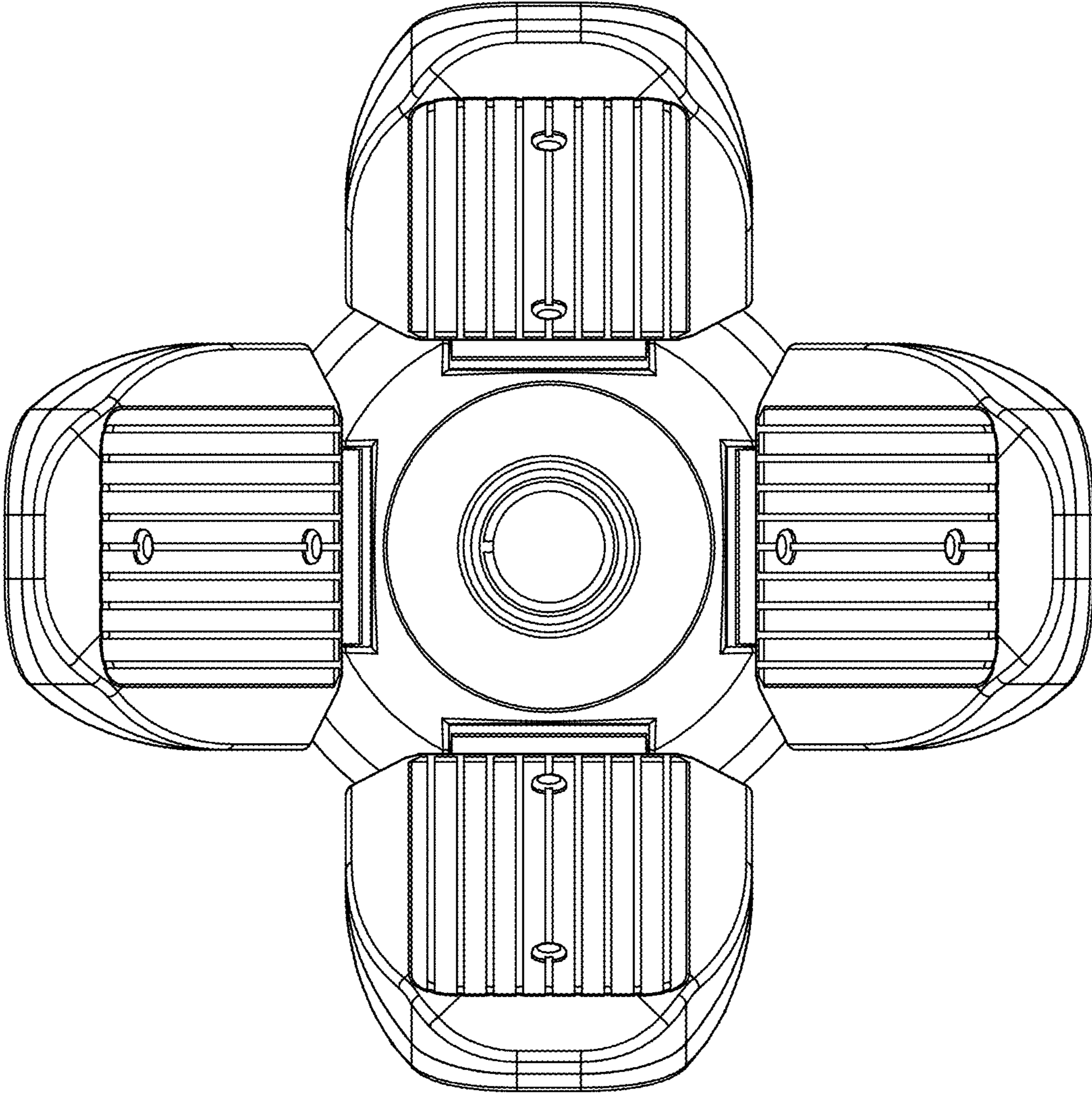


FIG. 5

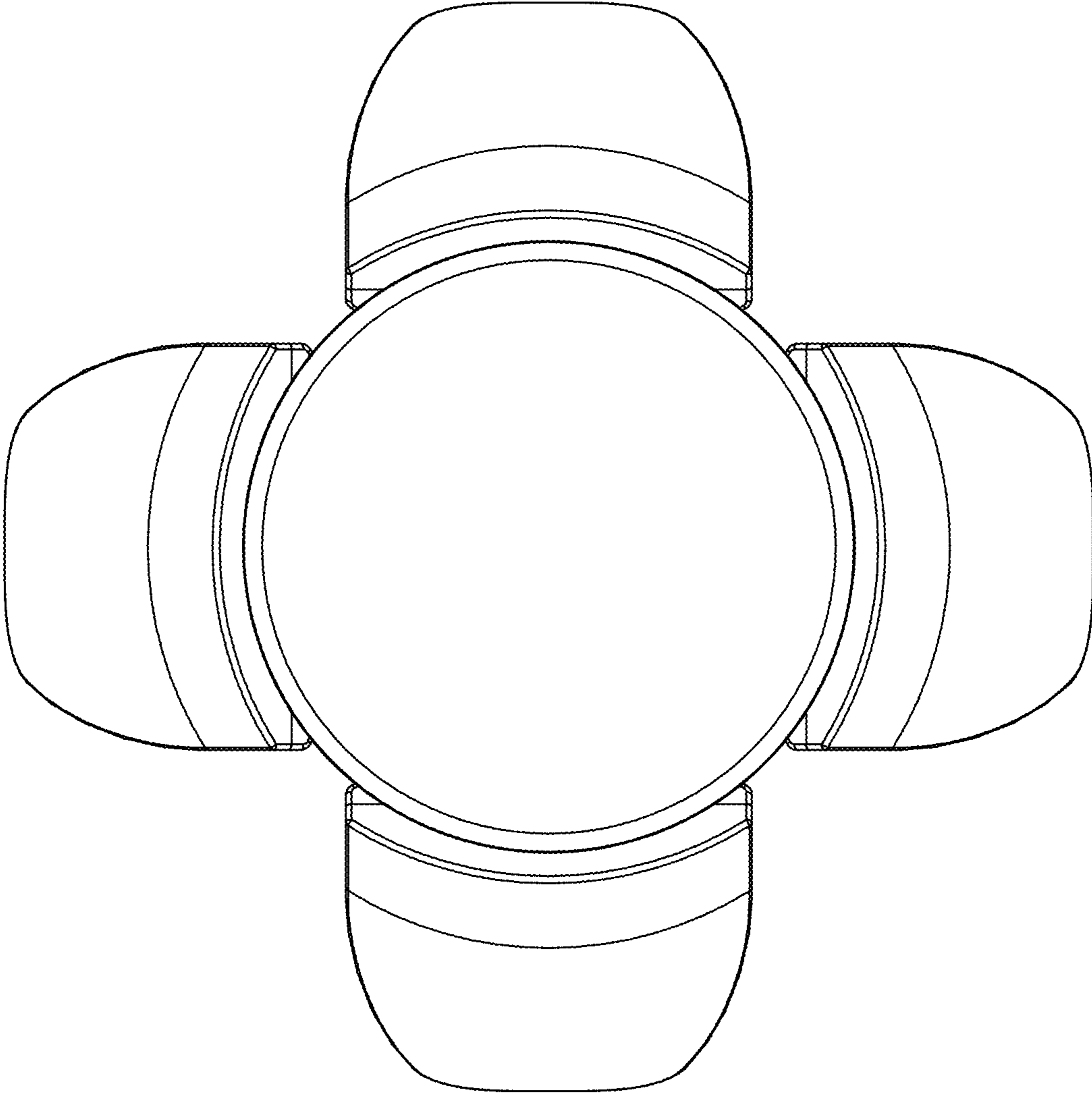


FIG. 6

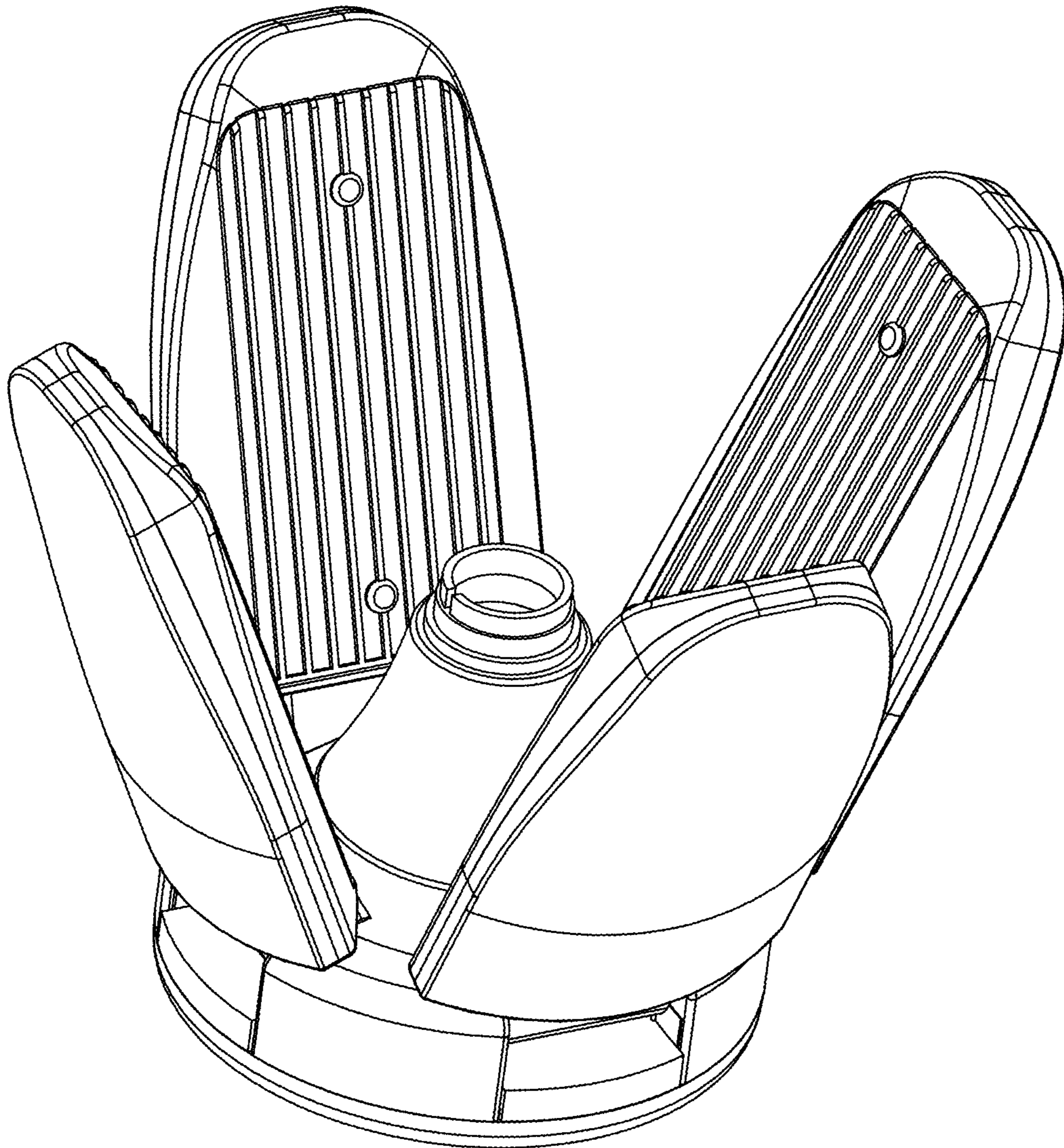


FIG. 7

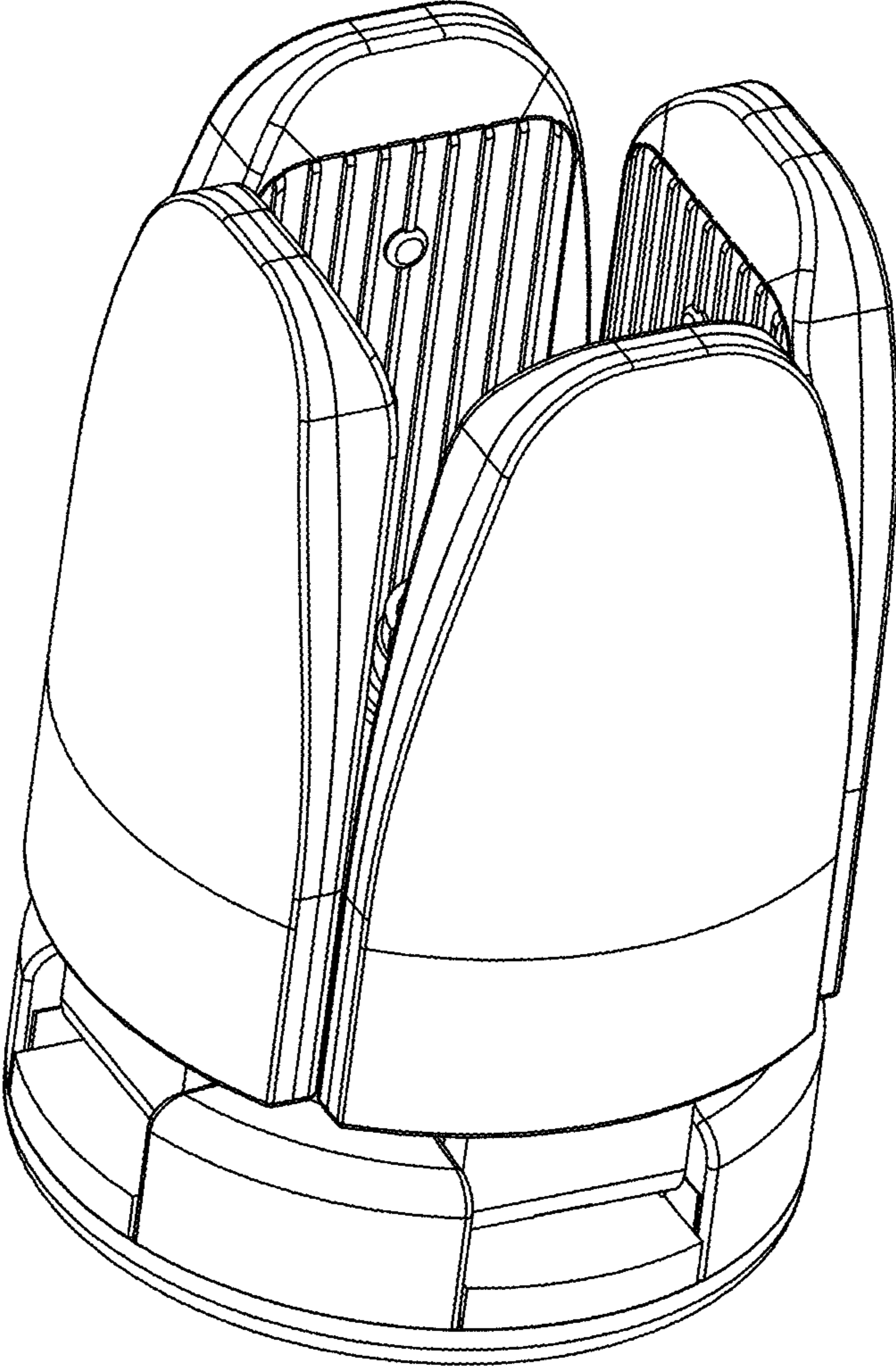


FIG. 8

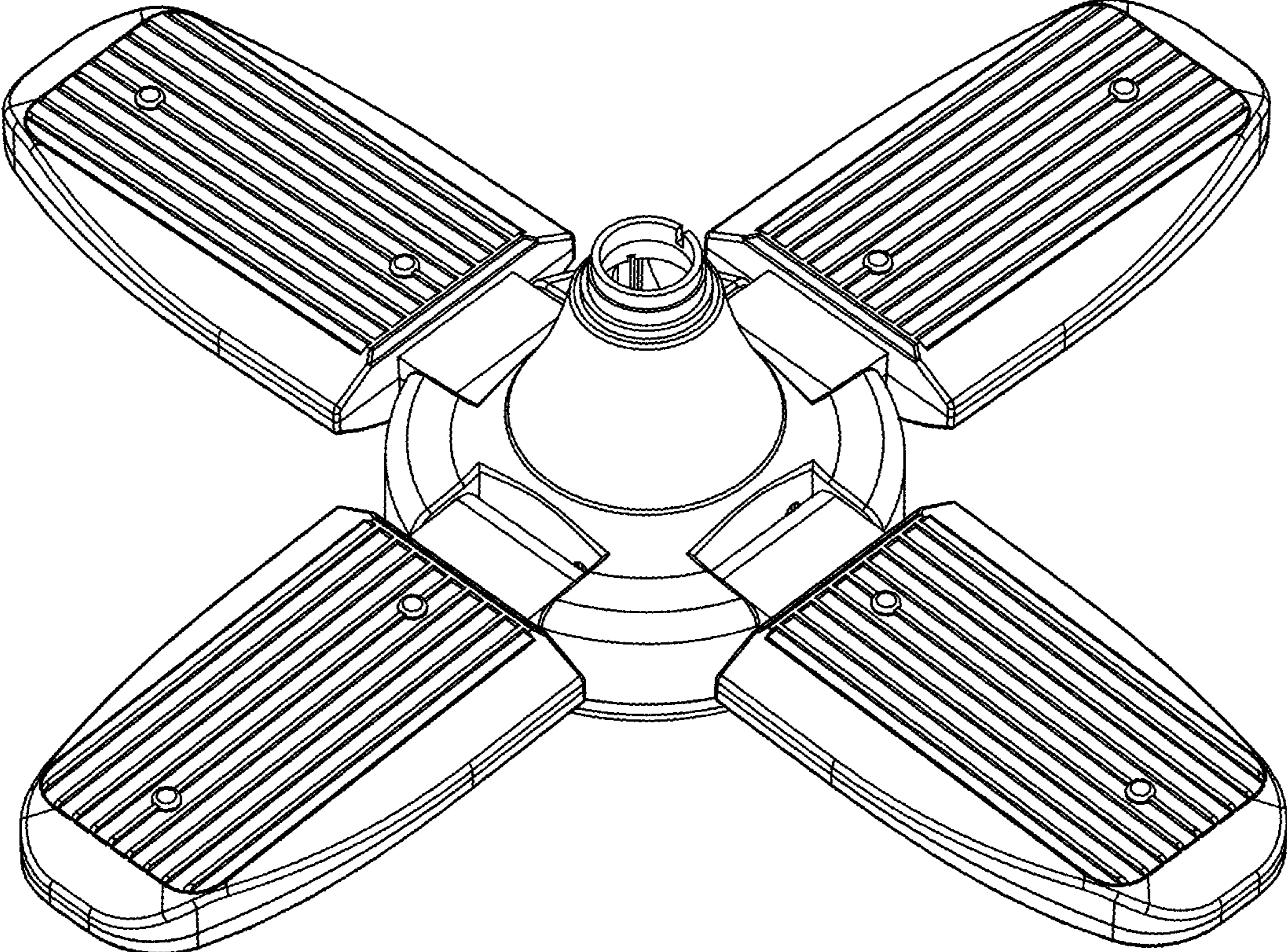


FIG. 9