



US00D908940S

(12) **United States Design Patent**
Chen

(10) **Patent No.:** **US D908,940 S**

(45) **Date of Patent:** **** Jan. 26, 2021**

(54) **PHOTOGRAPHY LIGHT**

(71) Applicant: **YUEQING ORIGINALITY PHOTOGRAPHY EQUIPMENT CO., LTD.**, Yueqing (CN)

(72) Inventor: **Qingyuan Chen**, Yueqing (CN)

(73) Assignee: **YUEQING ORIGINALITY PHOTOGRAPHY EQUIPMENT CO., LTD.**, Yueqing (CN)

(**) Term: **15 Years**

(21) Appl. No.: **29/709,877**

(22) Filed: **Oct. 17, 2019**

(30) **Foreign Application Priority Data**

Sep. 23, 2019 (CN) 2019 3 0521482

(51) **LOC (13) Cl.** **26-03**

(52) **U.S. Cl.**
USPC **D26/63**

(58) **Field of Classification Search**
USPC D26/24, 51, 61, 63, 72, 80
CPC F21S 8/04; F21S 8/00; F21W 2131/10;
F21V 21/00; F21V 21/26; F21V 21/14;
F21V 17/02; F21V 21/30
See application file for complete search history.

(56) **References Cited**

U.S. PATENT DOCUMENTS

4,419,721 A * 12/1983 Gregoire B60Q 1/245
362/269
D518,218 S * 3/2006 Roberge D26/63

D640,815 S * 6/2011 Yamada D26/63
D645,595 S * 9/2011 Yamada D26/63
D645,596 S * 9/2011 Yamada D26/63
D845,530 S * 4/2019 Yu D26/63
D886,352 S * 6/2020 Hu D26/63
D893,074 S * 8/2020 Finocchiaro D26/63

* cited by examiner

Primary Examiner — Brian N. Vinson

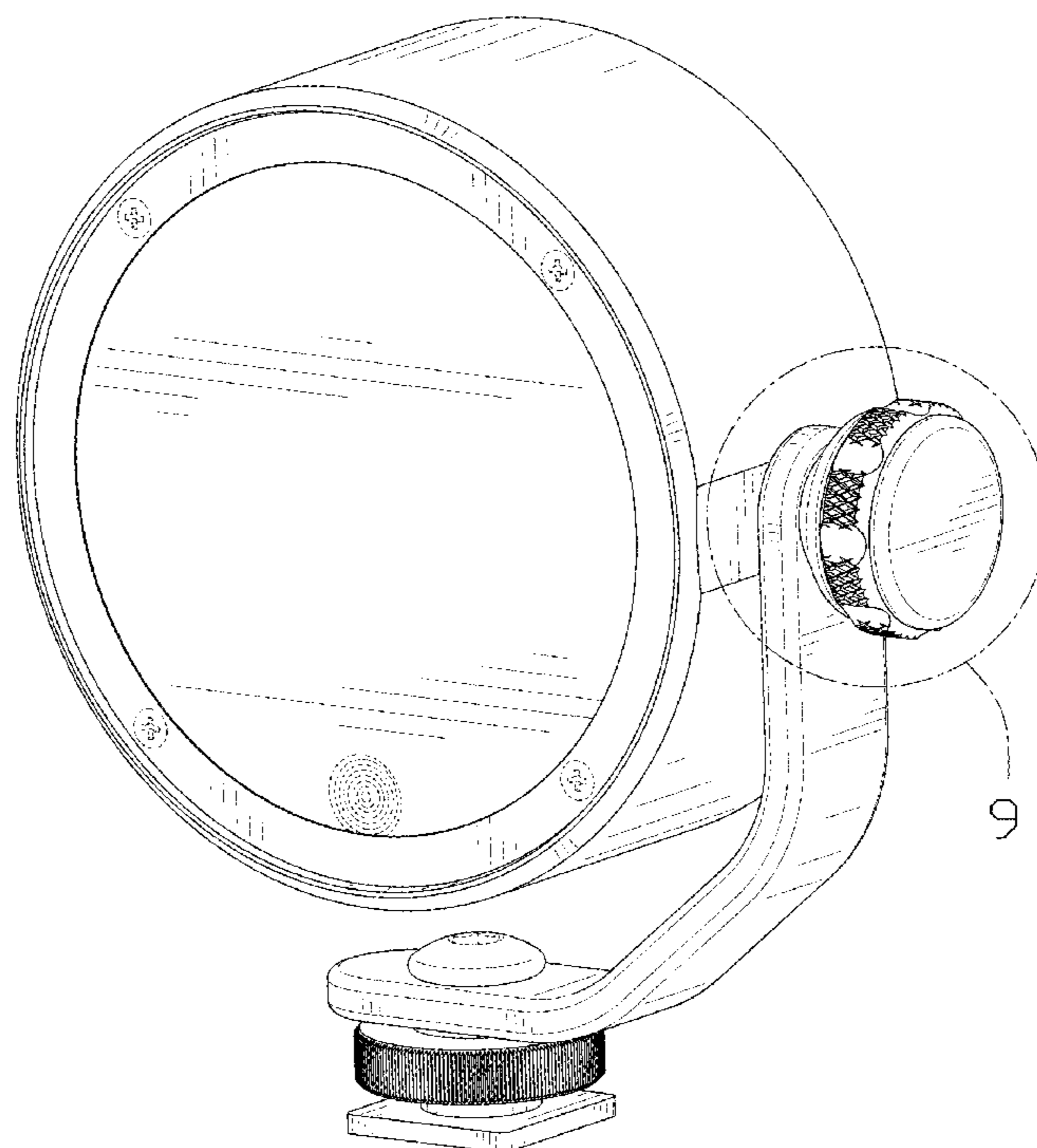
(57) **CLAIM**

The ornamental design for a photography light, as shown and described.

DESCRIPTION

FIG. 1 is a perspective view of a photography light showing my new design;
FIG. 2 is another perspective view thereof;
FIG. 3 is a front elevational view thereof;
FIG. 4 is a rear elevational view thereof;
FIG. 5 is a left side elevational view thereof;
FIG. 6 is a right side elevational view thereof;
FIG. 7 is a top plan view thereof;
FIG. 8 is a bottom plan view thereof;
FIG. 9 is an enlarged view of portion 9 shown in FIG. 1; and,
FIG. 10 is an enlarged view of portion 10 shown in FIG. 2.
The broken lines in the drawings depict portions of the photography light that form no part of the claimed design.

1 Claim, 10 Drawing Sheets



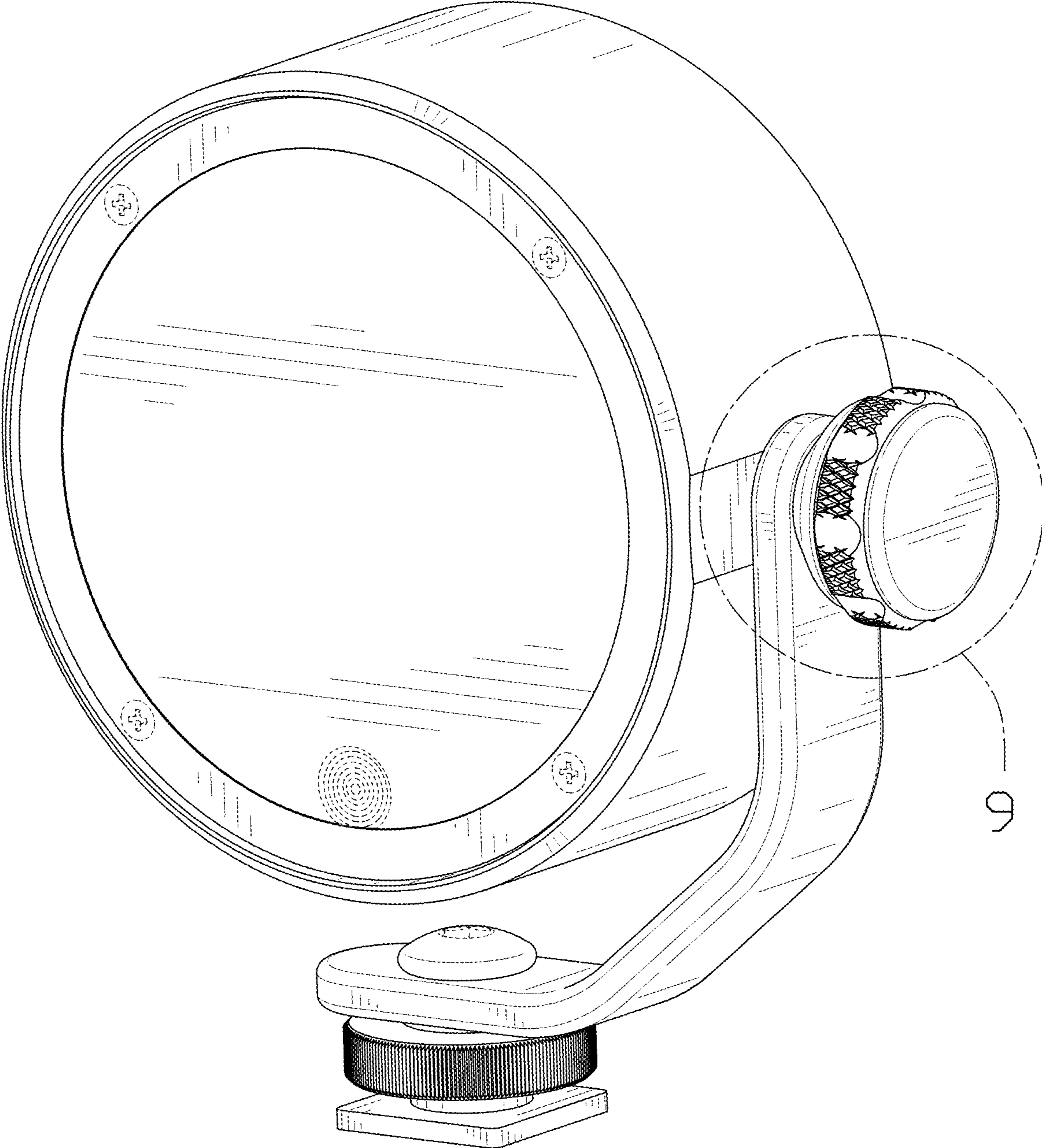


FIG. 1

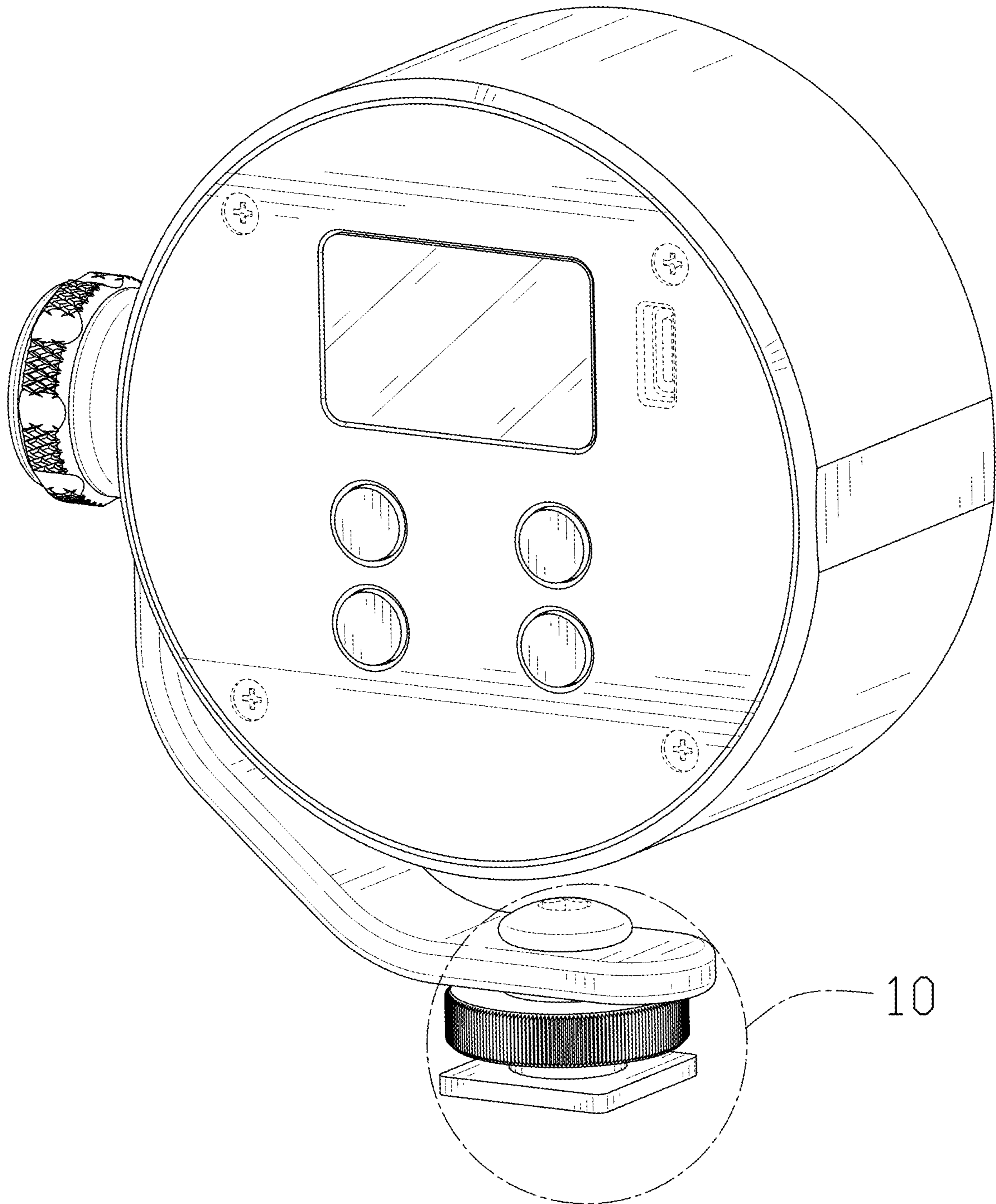


FIG. 2

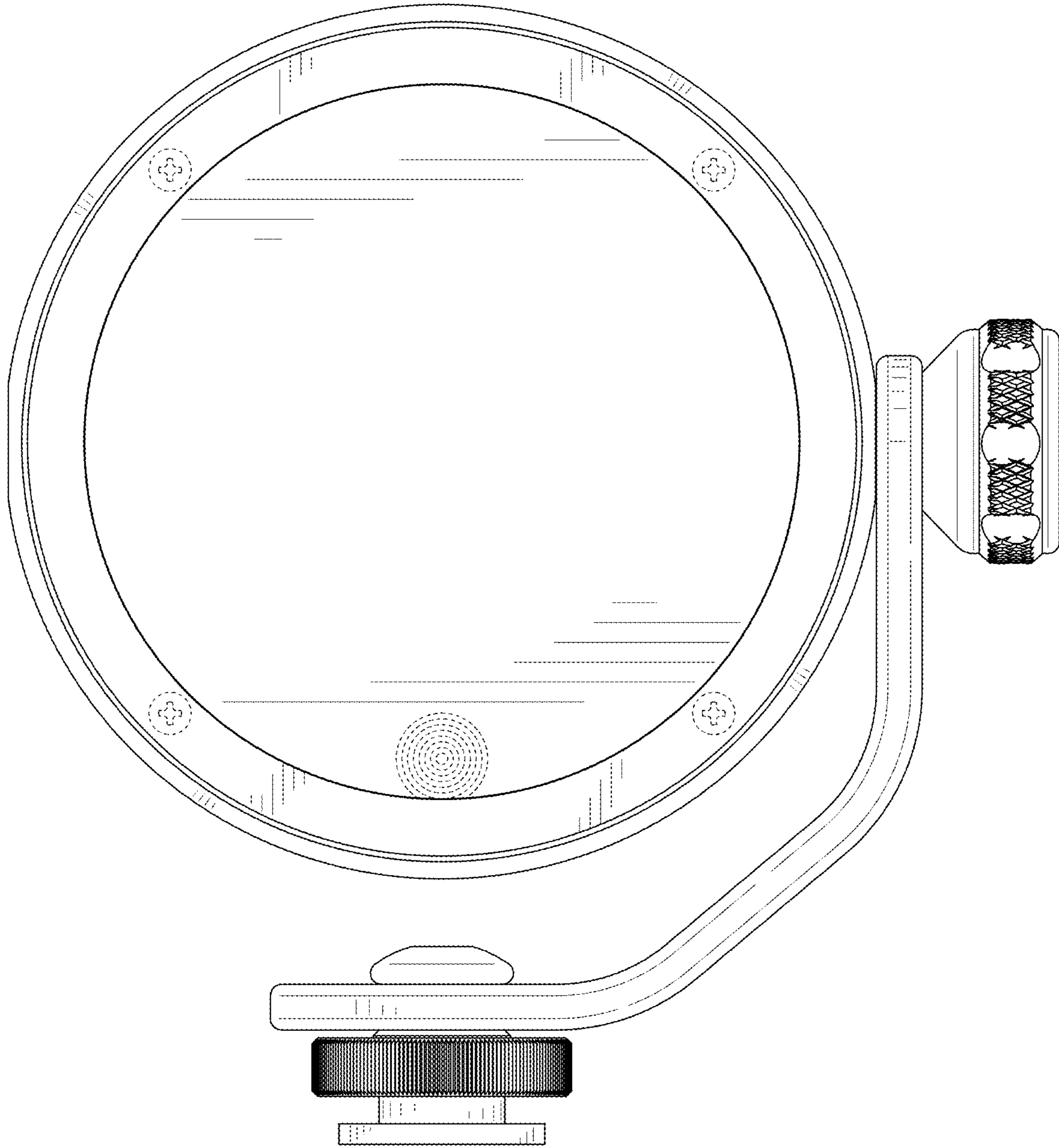


FIG. 3

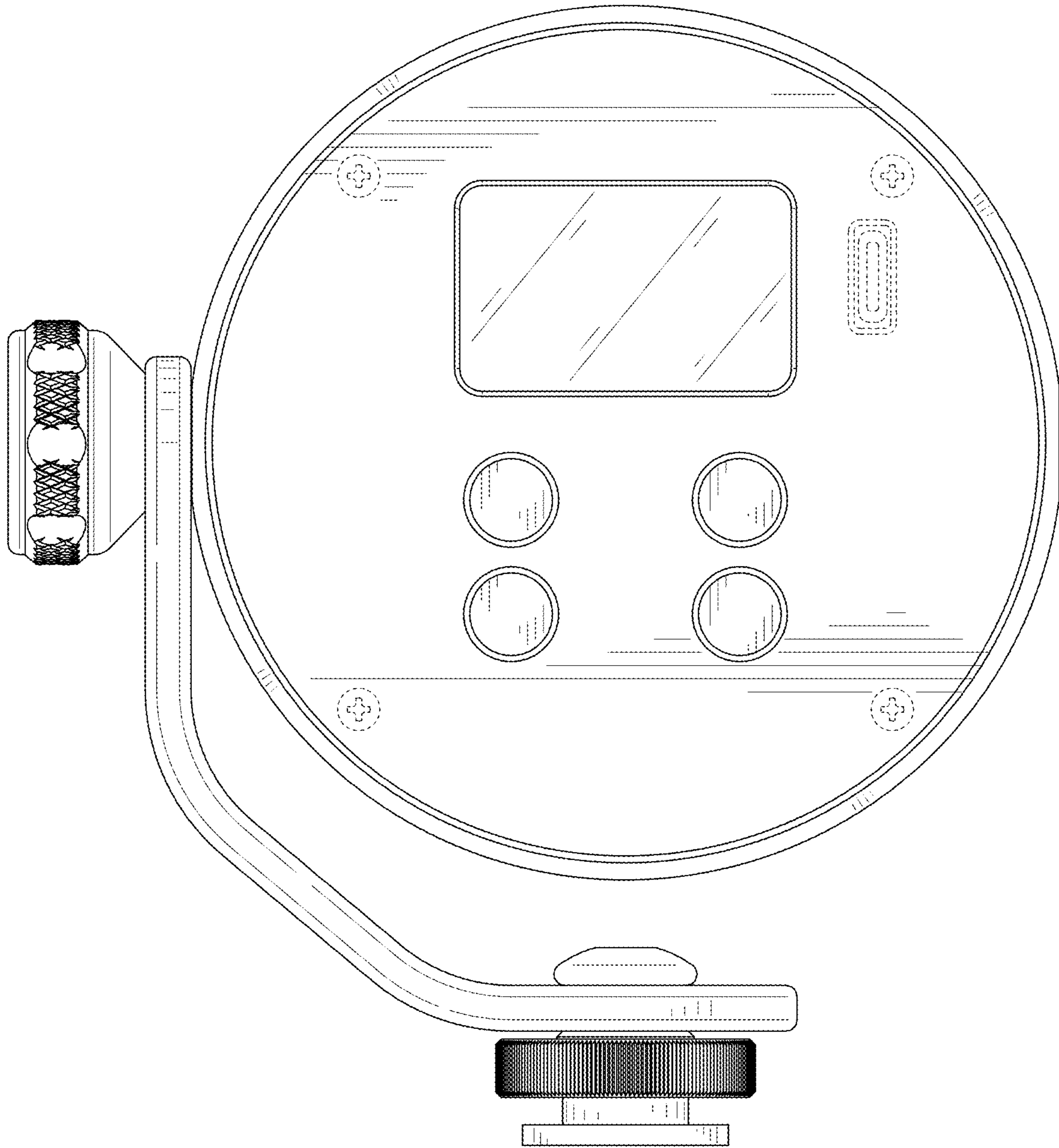


FIG. 4

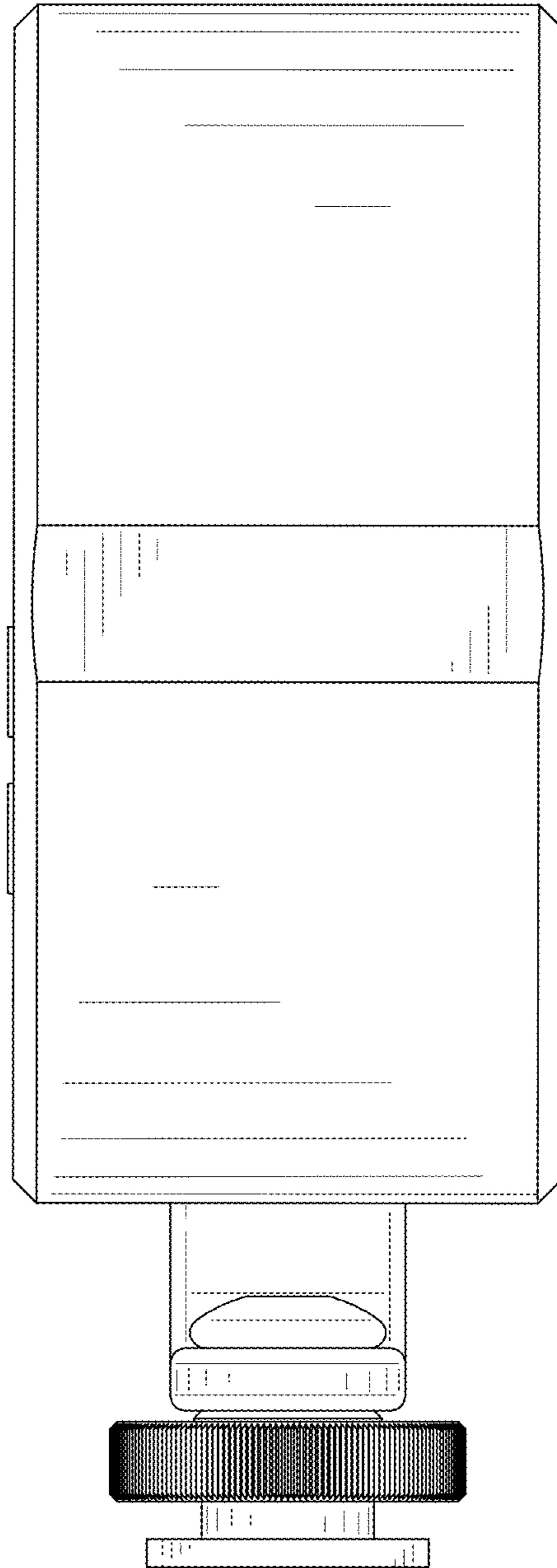


FIG. 5

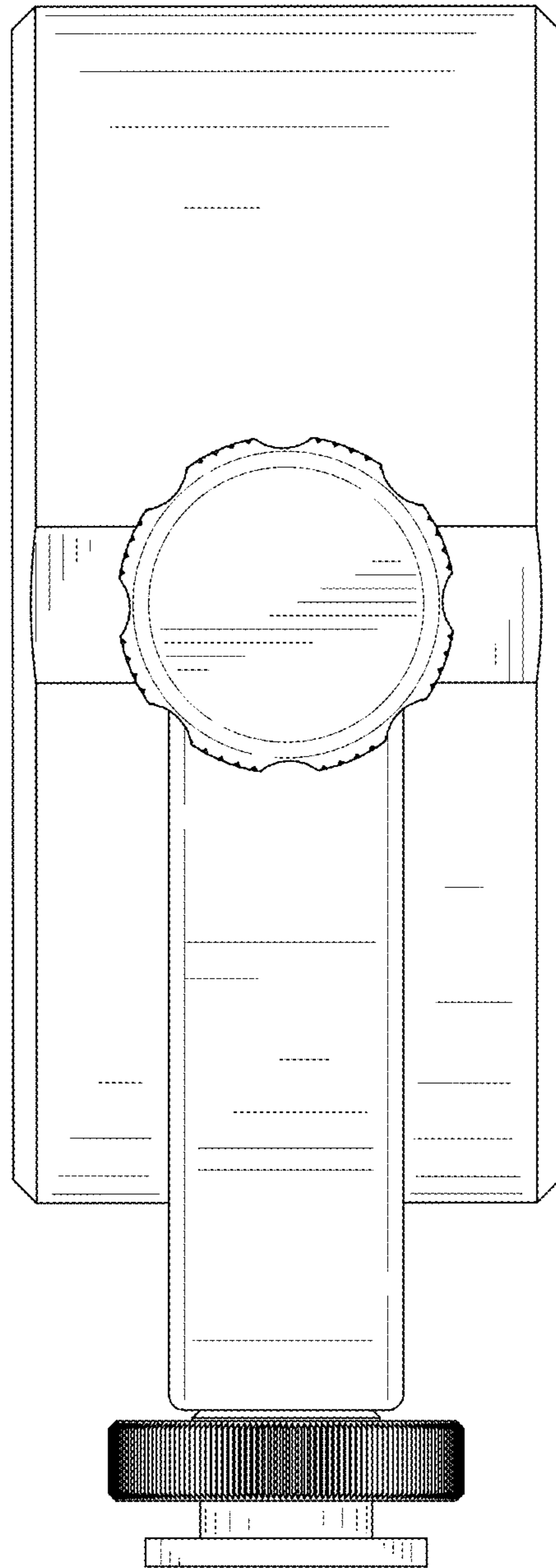


FIG. 6

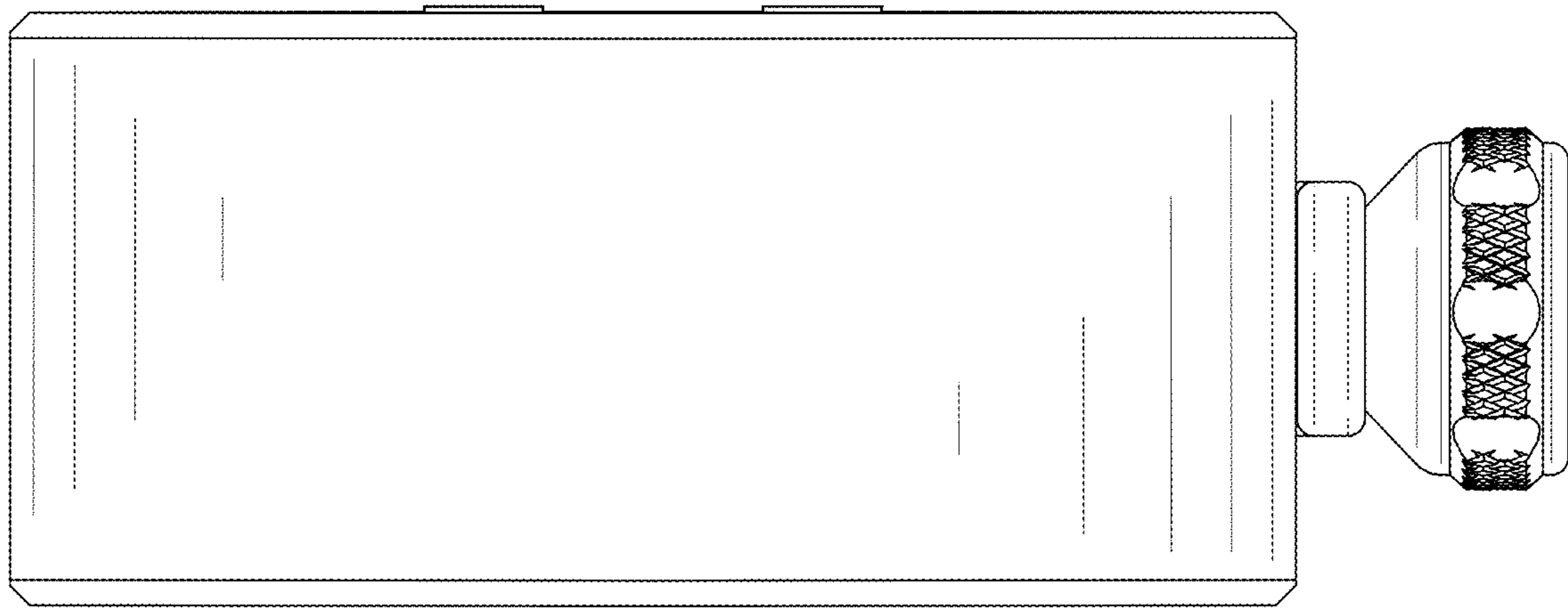


FIG. 7

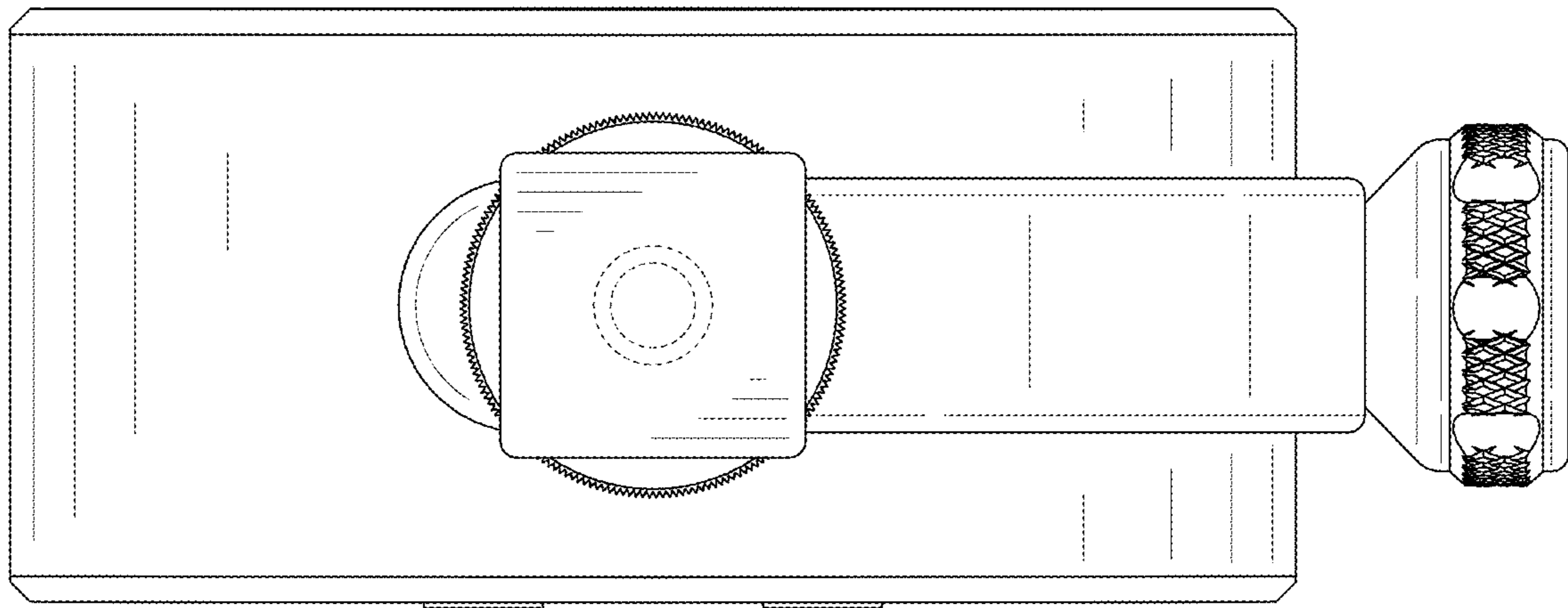


FIG. 8

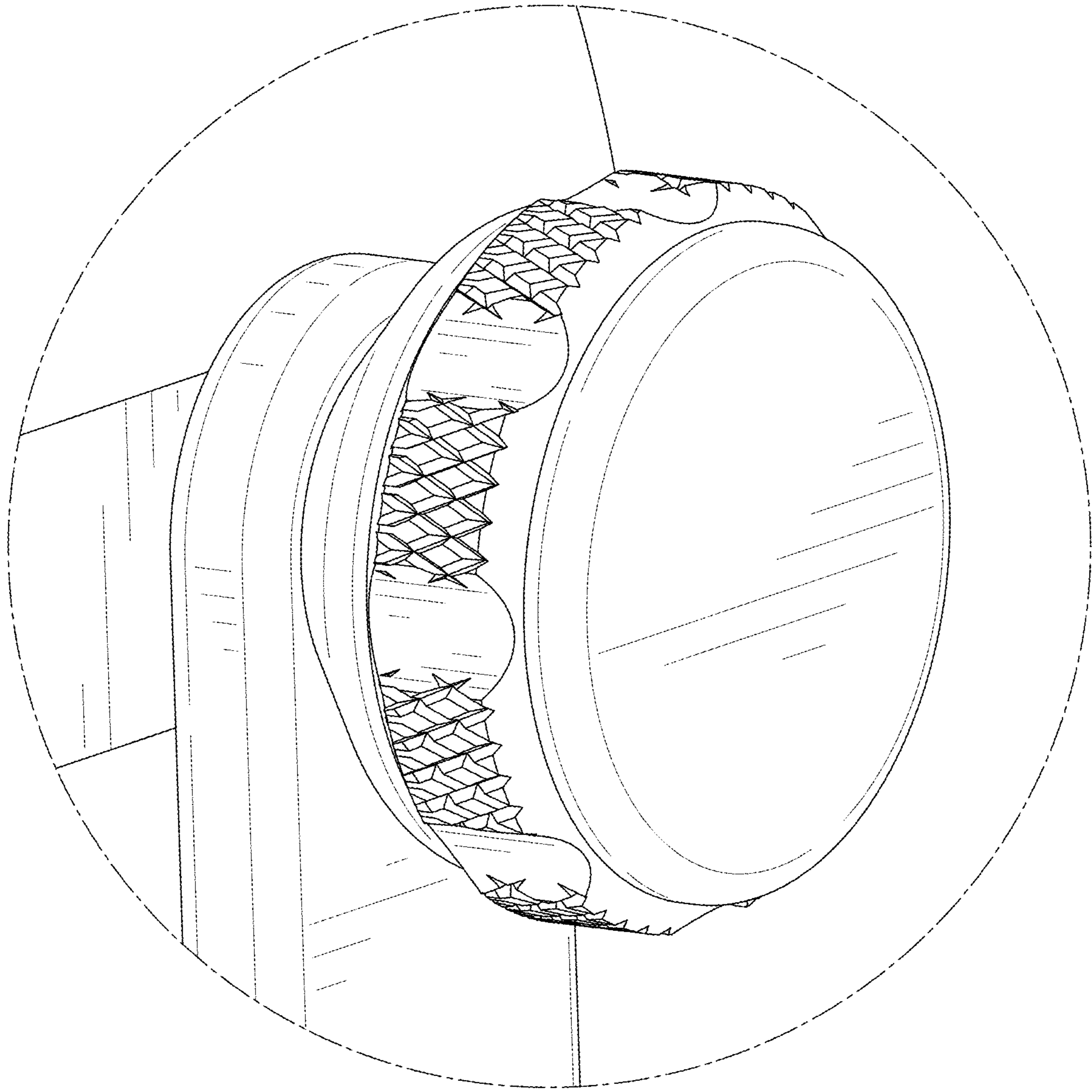


FIG. 9

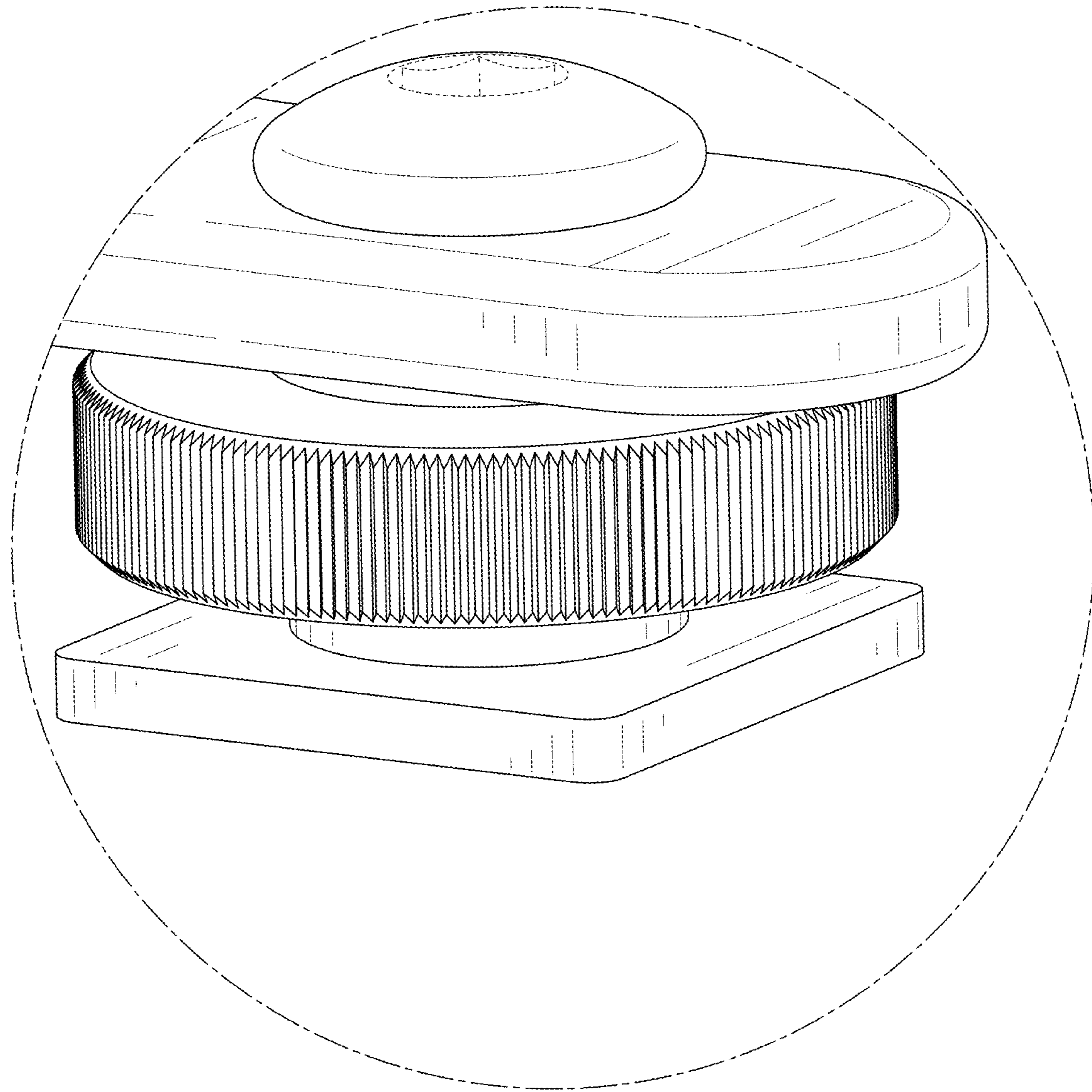


FIG. 10