



US00D908939S

(12) **United States Design Patent**
Liu et al.

(10) **Patent No.:** **US D908,939 S**
(45) **Date of Patent:** **** Jan. 26, 2021**

(54) **SOLAR SPOTLIGHT**

(71) Applicants: **Wei Liu**, Liling (CN); **Xinlang Kang**, Jian (CN)

(72) Inventors: **Wei Liu**, Liling (CN); **Xinlang Kang**, Jian (CN)

(**) Term: **15 Years**

(21) Appl. No.: **29/695,266**

(22) Filed: **Jun. 18, 2019**

(51) **LOC (13) Cl.** **26-05**

(52) **U.S. Cl.**
USPC **D26/63**; D26/67

(58) **Field of Classification Search**
USPC D26/63, 67-70, 85
CPC .. F21S 8/081; F21S 8/083; F21S 8/088; F21S 9/03; F21S 9/035; F21S 9/037; F21V 21/0824; F21W 2111/02; F21W 2111/023; F21W 2131/109; G09F 13/0404; G09F 2013/0431

See application file for complete search history.

(56) **References Cited**

U.S. PATENT DOCUMENTS

D340,305 S *	10/1993	Hall	D26/68
D615,688 S *	5/2010	Chen	D26/68
D837,431 S *	1/2019	Peng	D26/63
D841,858 S *	2/2019	Deng	D26/68
D848,045 S *	5/2019	Liao	D26/63
D867,644 S *	11/2019	Luo	D26/68
D881,433 S *	4/2020	Chen	D26/67

D895,876 S *	9/2020	Tang	D26/67
2007/0084500 A1 *	4/2007	Chen	F24S 30/48 136/244
2017/0082254 A1 *	3/2017	Zhang	F21V 13/02

OTHER PUBLICATIONS

Komaes Solar Landscape Spot Lights available at amazon.com as early as Aug. 29, 2019. (Year: 2019).*
InnoGear 6 LED Solar Landscape Spotlights available at amazon.com as early as Nov. 7, 2019. (Year: 2019).*

* cited by examiner

Primary Examiner — Clare E Heflin

(74) *Attorney, Agent, or Firm* — Law Offices of Steven W. Weinrieb

(57) **CLAIM**

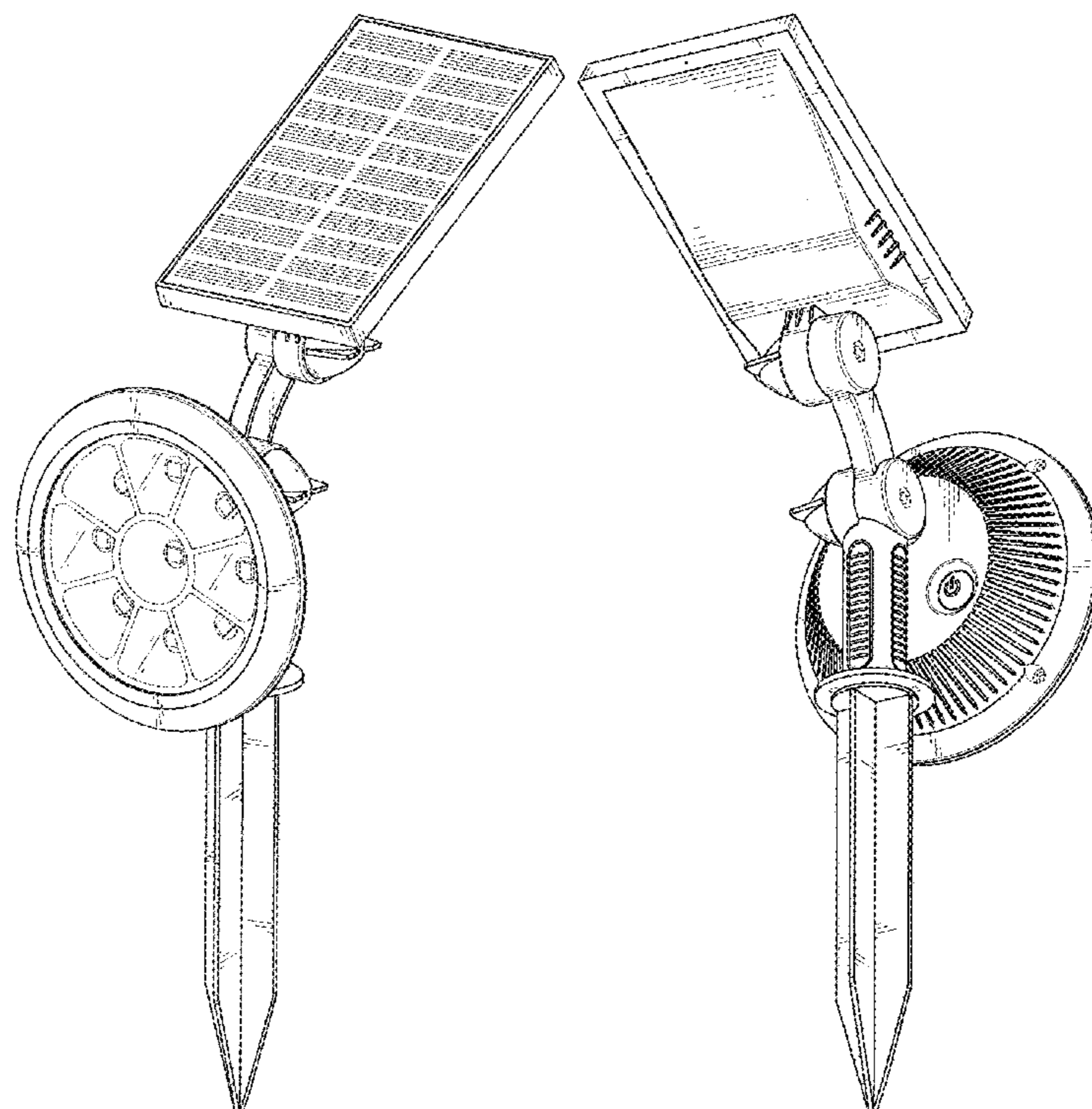
The ornamental design for a solar spotlight, as shown and described.

DESCRIPTION

FIG. 1 is a front, right side, top perspective view of a solar spotlight showing my new design;
FIG. 2 is a rear, left side, bottom perspective view thereof;
FIG. 3 is a front elevational view thereof;
FIG. 4 is a rear elevational view thereof;
FIG. 5 is a left side elevational view thereof;
FIG. 6 is a right side elevational view thereof;
FIG. 7 is a top plan view thereof; and,
FIG. 8 is a bottom plan view thereof.

The broken lines shown on the drawings depict portions of the solar spotlight that form no part of the claimed design.

1 Claim, 8 Drawing Sheets



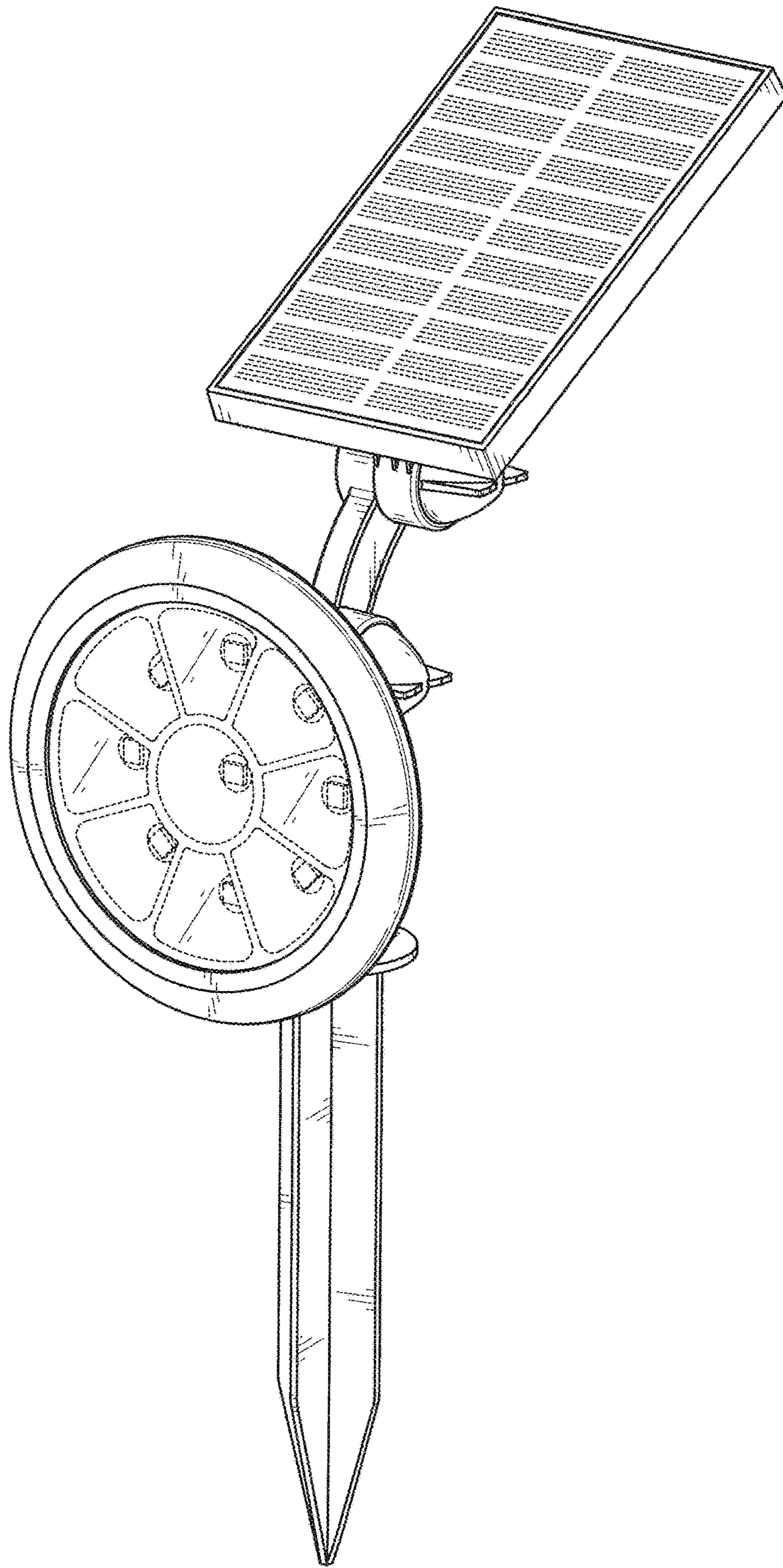


FIG. 1

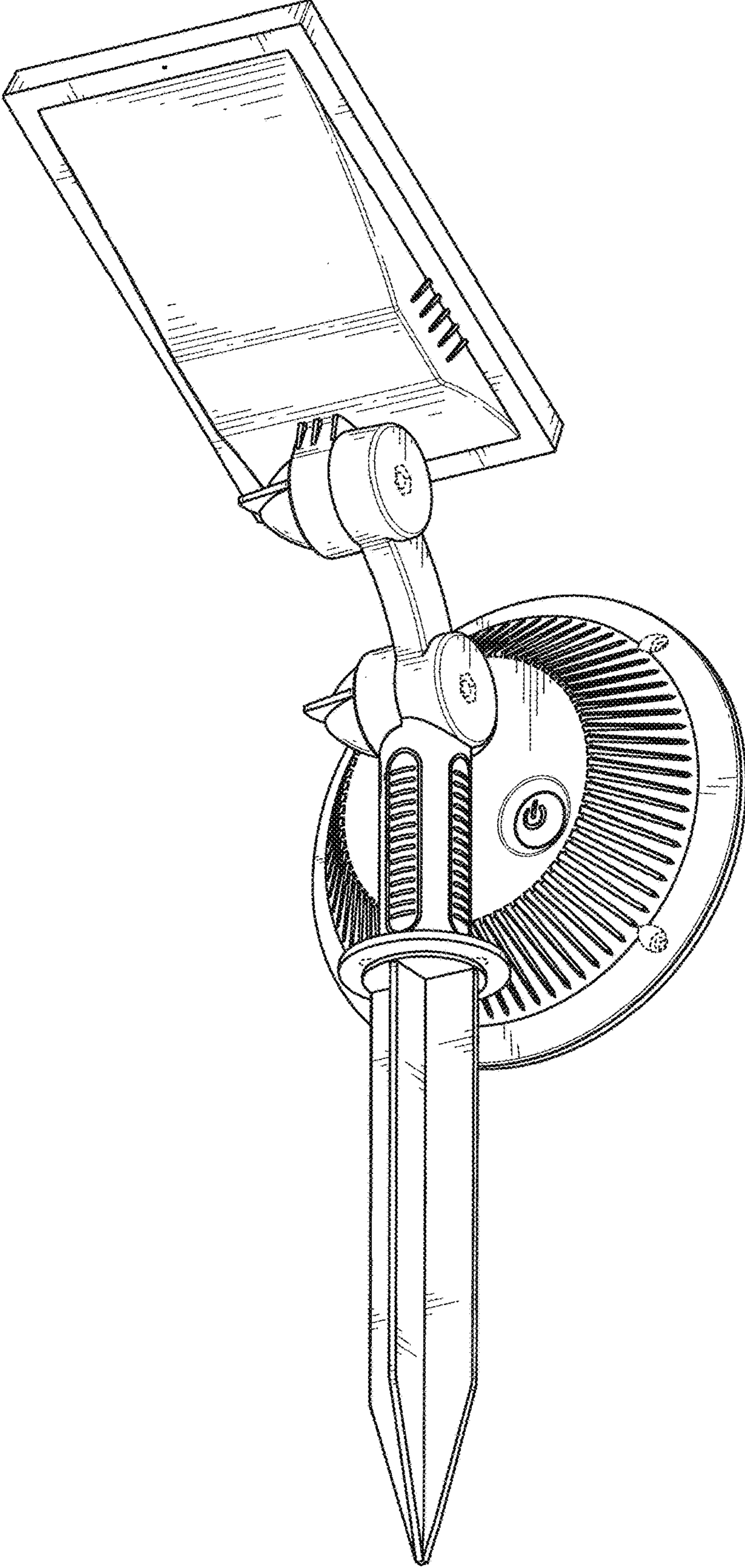


FIG. 2

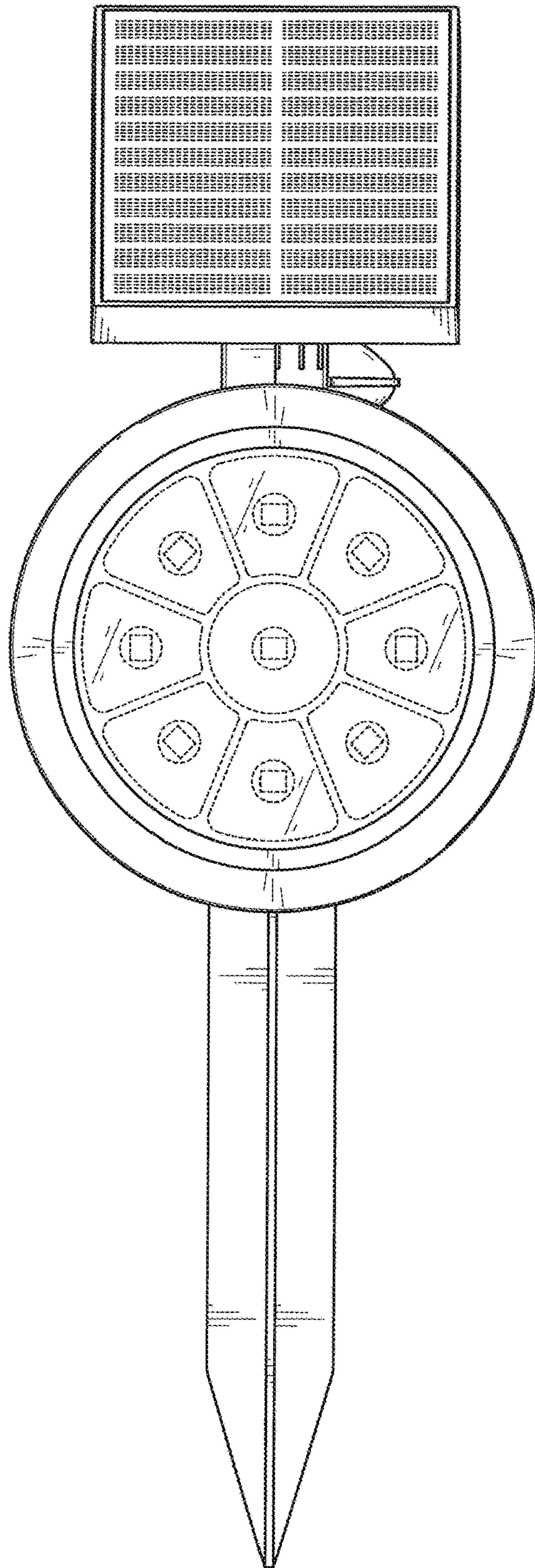


FIG. 3

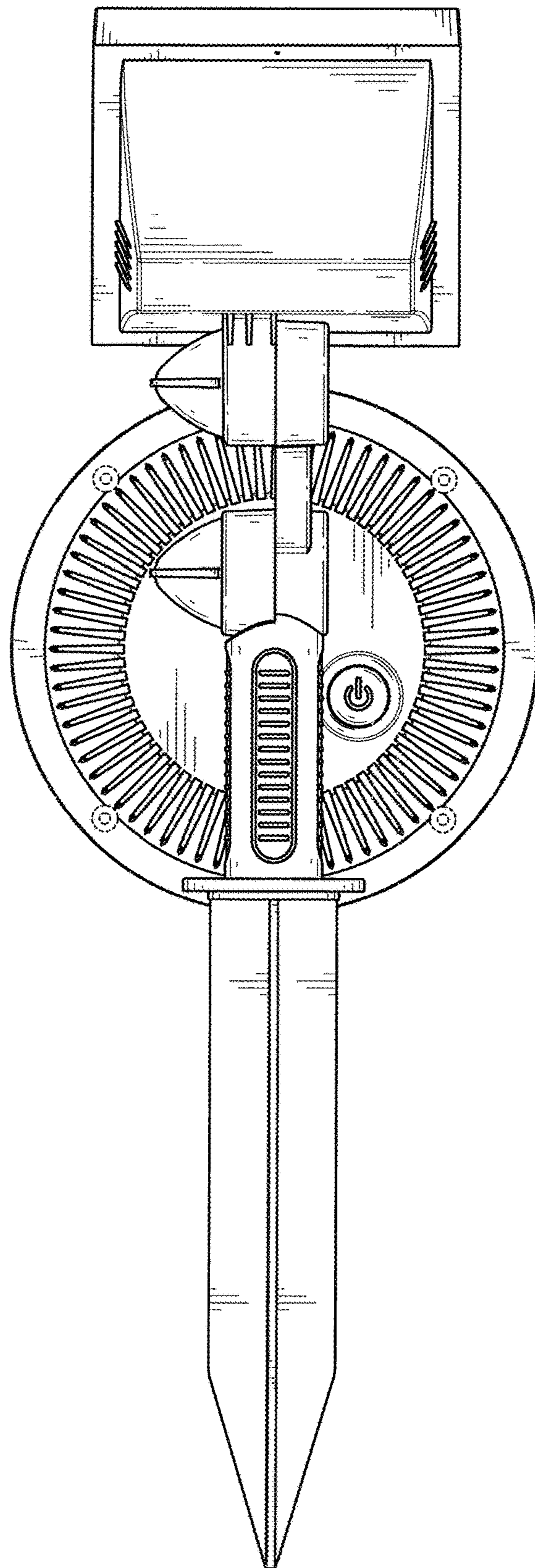


FIG. 4

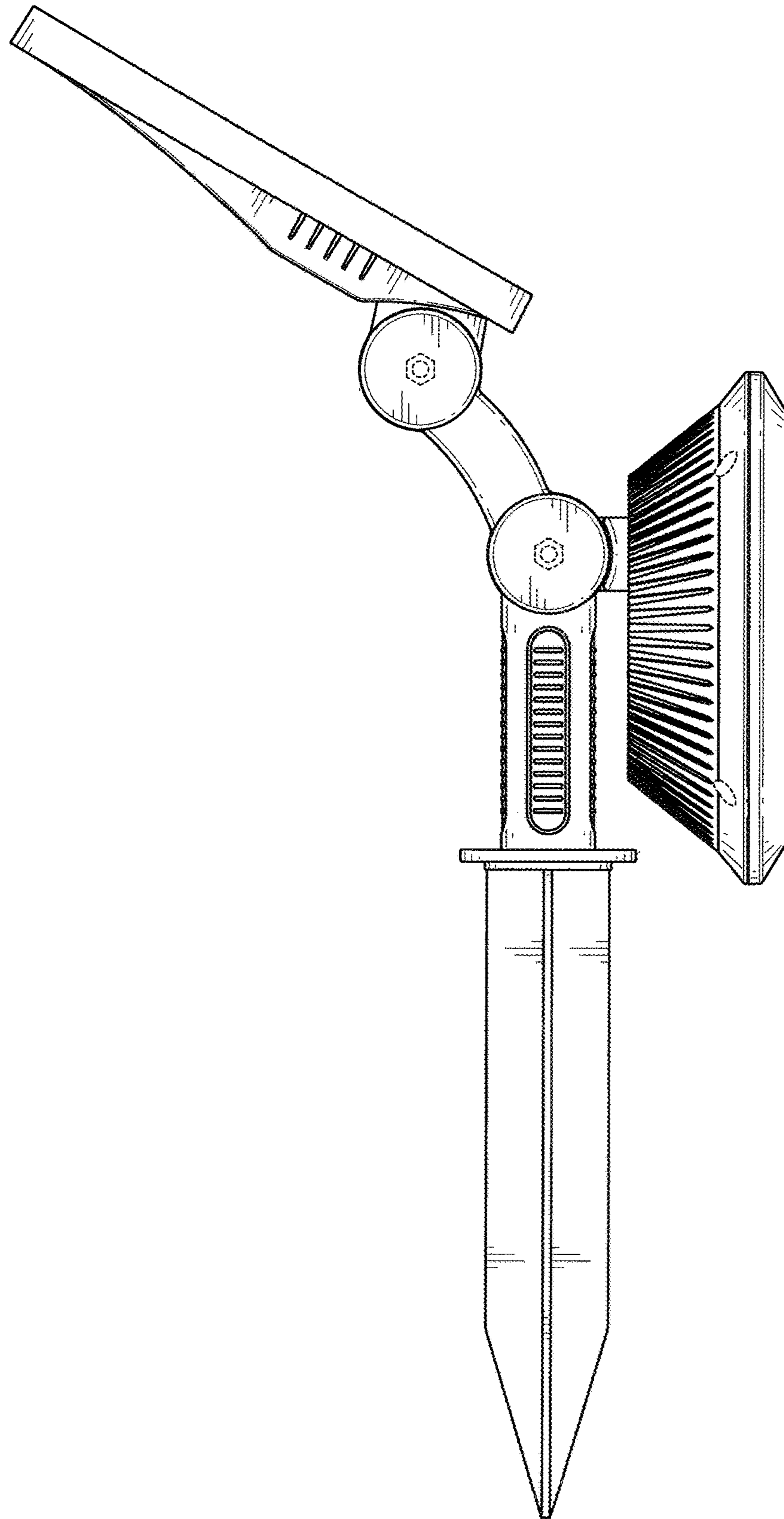


FIG. 5

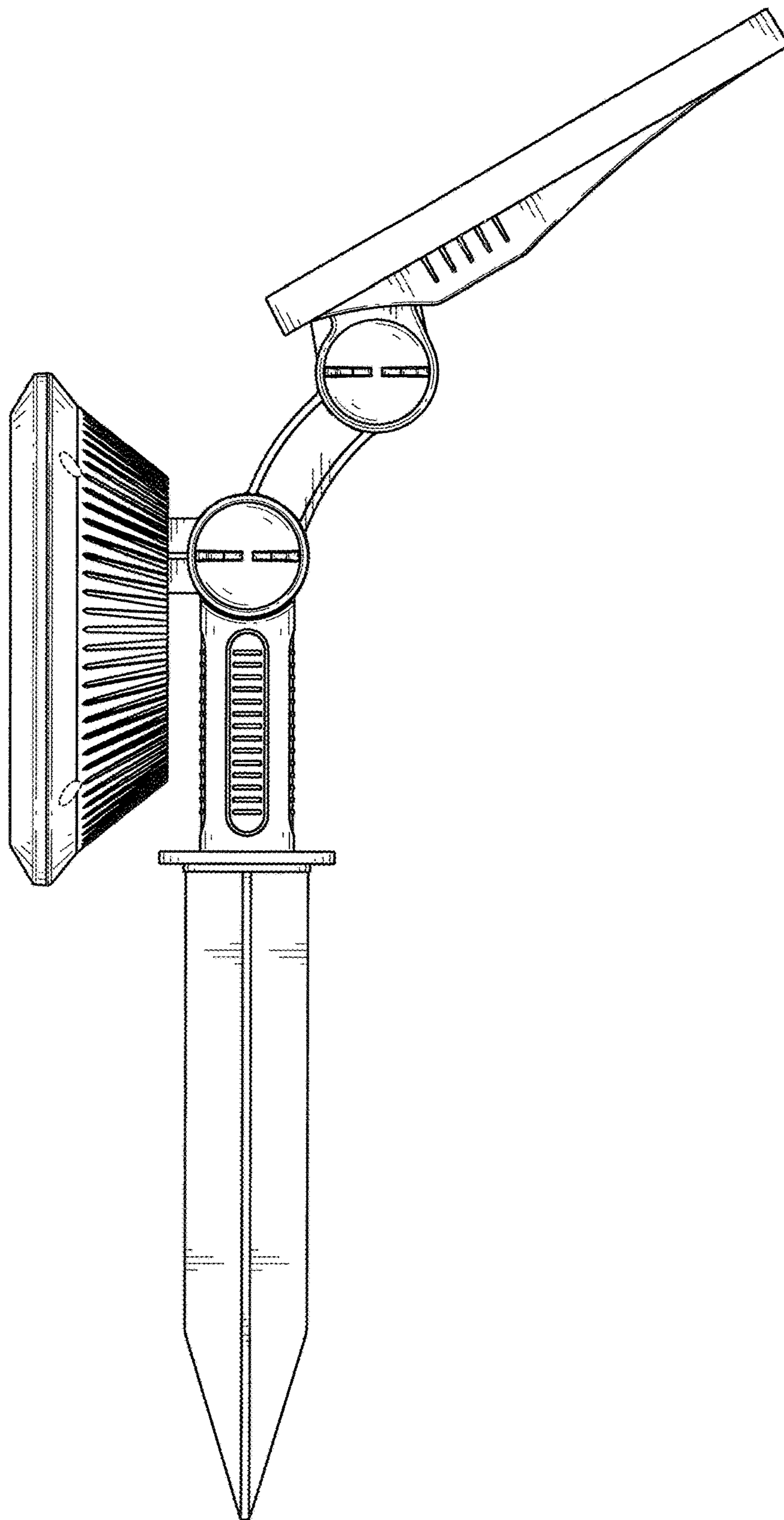


FIG. 6

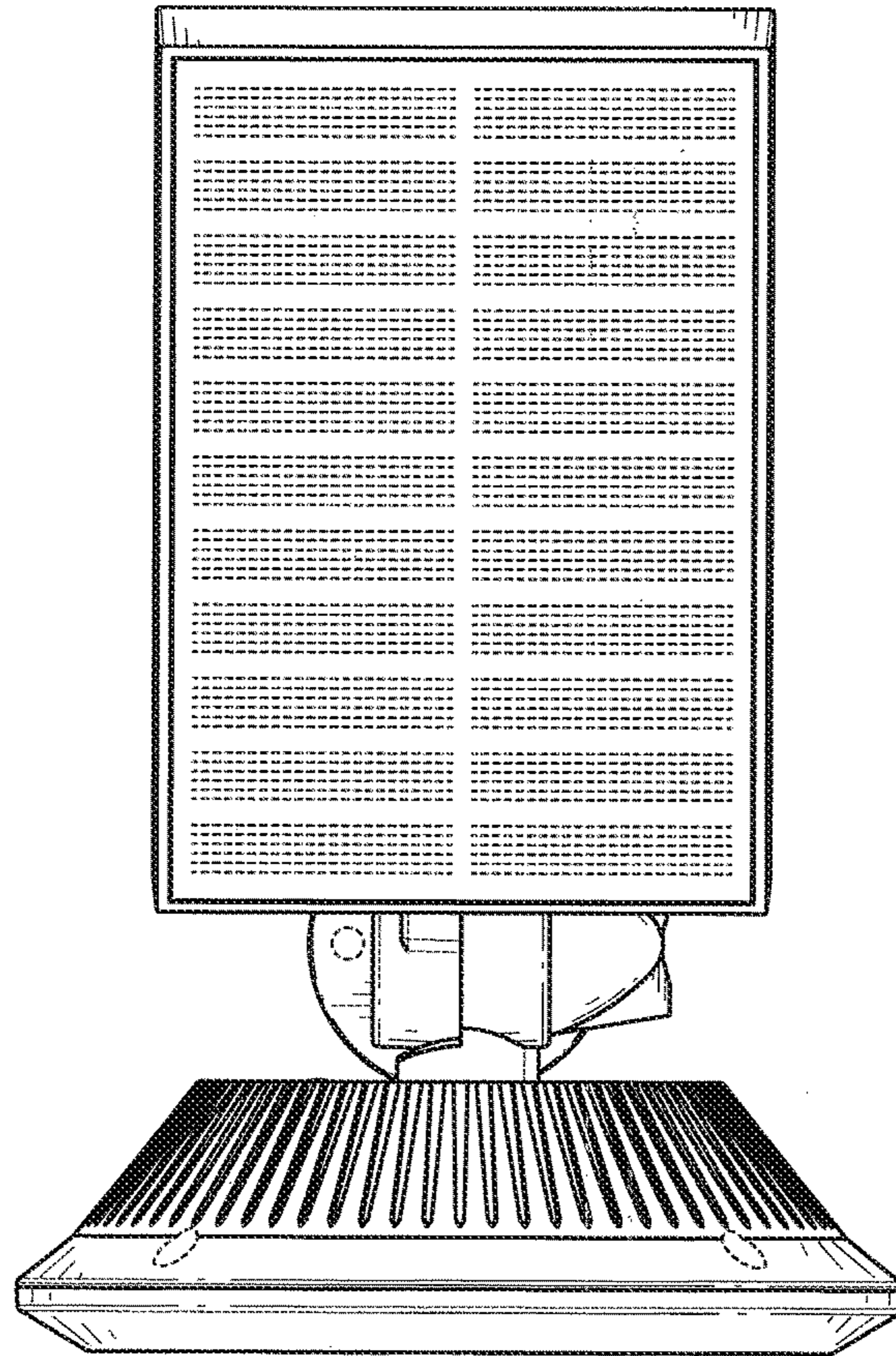


FIG. 7

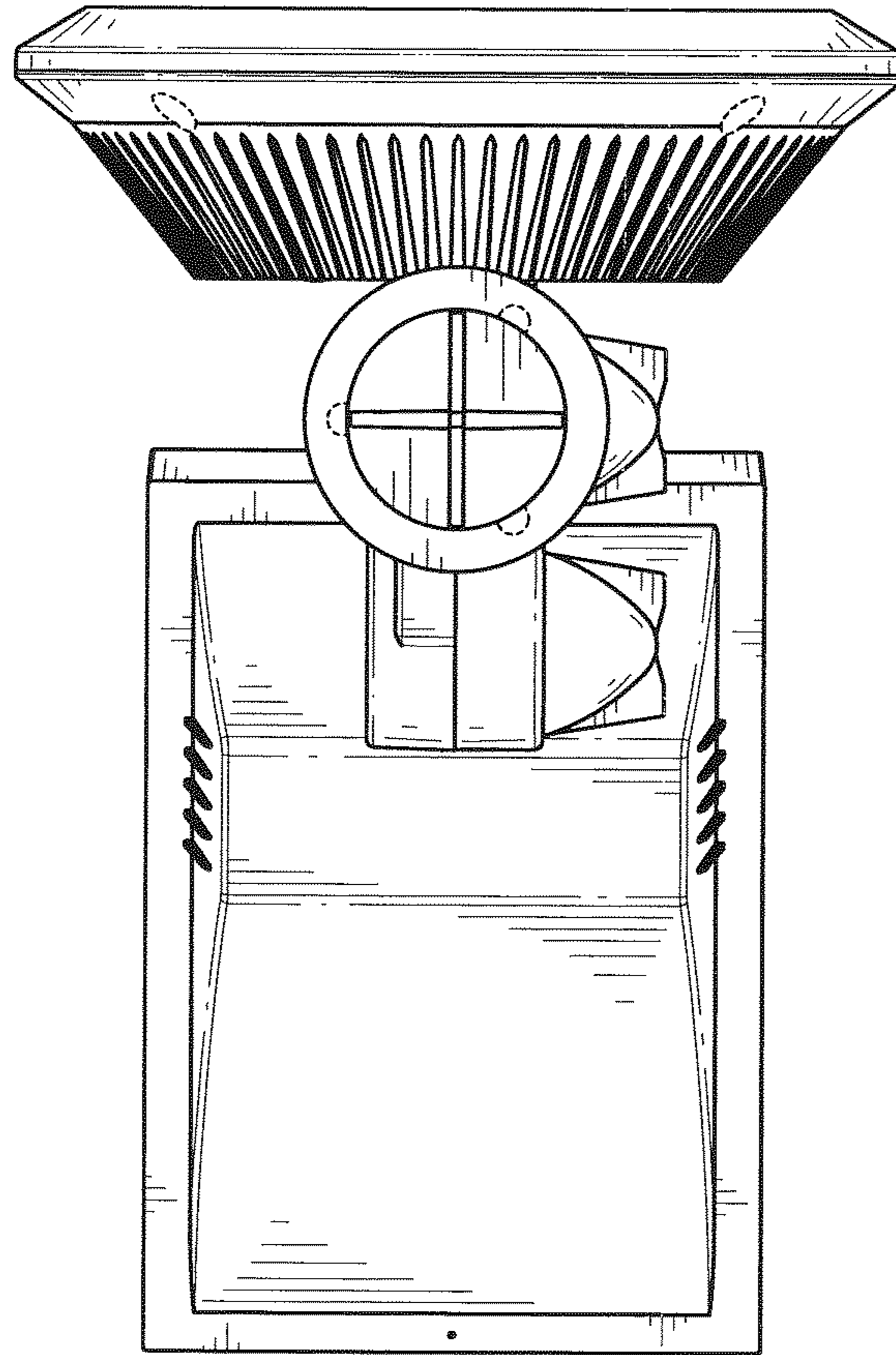


FIG. 8