

US00D908937S

(12) **United States Design Patent**
Chen

(10) **Patent No.:** **US D908,937 S**

(45) **Date of Patent:** **** Jan. 26, 2021**

(54) **CAR HEADLIGHT**

D822,241 S * 7/2018 Lee D26/28
D824,058 S * 7/2018 Hong D26/28
D878,642 S 3/2020 Ren

(71) Applicant: **ZHEJIANG YUANZHENG AUTO & MOTORCYCLE ACCESSORIES CO., LTD.**, Rui'an (CN)

* cited by examiner

(72) Inventor: **Yu Chen**, Rui'an (CN)

Primary Examiner — Marcus A Jackson

(**) Term: **15 Years**

(74) *Attorney, Agent, or Firm* — HYIP

(21) Appl. No.: **29/731,269**

(57) **CLAIM**

The ornamental design for a car headlight, as shown and described.

(22) Filed: **Apr. 14, 2020**

DESCRIPTION

(51) **LOC (13) Cl.** **26-06**

(52) **U.S. Cl.**

USPC **D26/28**

(58) **Field of Classification Search**

USPC D26/28–36, 139

CPC F21S 48/00; F21S 48/10; F21S 48/115;
F21S 48/225; F21S 48/1233; F21S
48/1266; F21S 48/1388; F21S 48/2268;
F21V 21/04; F21V 29/004; F21W
2103/35; F21W 3/40; F21W 2102/17;
F21W 2107/30; F21W 2103/00; F21W
2103/55; F21W 2104/00; F21W 2107/13;
F21W 2107/17; B60Q 9/13; B60Q 9/135;
B60Q 9/1375

See application file for complete search history.

FIG. 1 is a first perspective view of a first embodiment of a car headlight showing my new design;

FIG. 2 is a second perspective view of the first embodiment thereof;

FIG. 3 is a front view of the first embodiment thereof;

FIG. 4 is a back view of the first embodiment thereof;

FIG. 5 is a left side view of the first embodiment thereof;

FIG. 6 is a right side view of the first embodiment thereof;

FIG. 7 is a top view of the first embodiment thereof;

FIG. 8 is a bottom view of the first embodiment thereof;

FIG. 9 is a first perspective view of a second embodiment of a car headlight showing my new design;

FIG. 10 is a second perspective view of the second embodiment thereof;

FIG. 11 is a front view of a second embodiment thereof;

FIG. 12 is a back view of the second embodiment thereof;

FIG. 13 is a left side view of the second embodiment thereof;

FIG. 14 is a right side view of the second embodiment thereof;

FIG. 15 is a top view of tire second embodiment thereof; and,

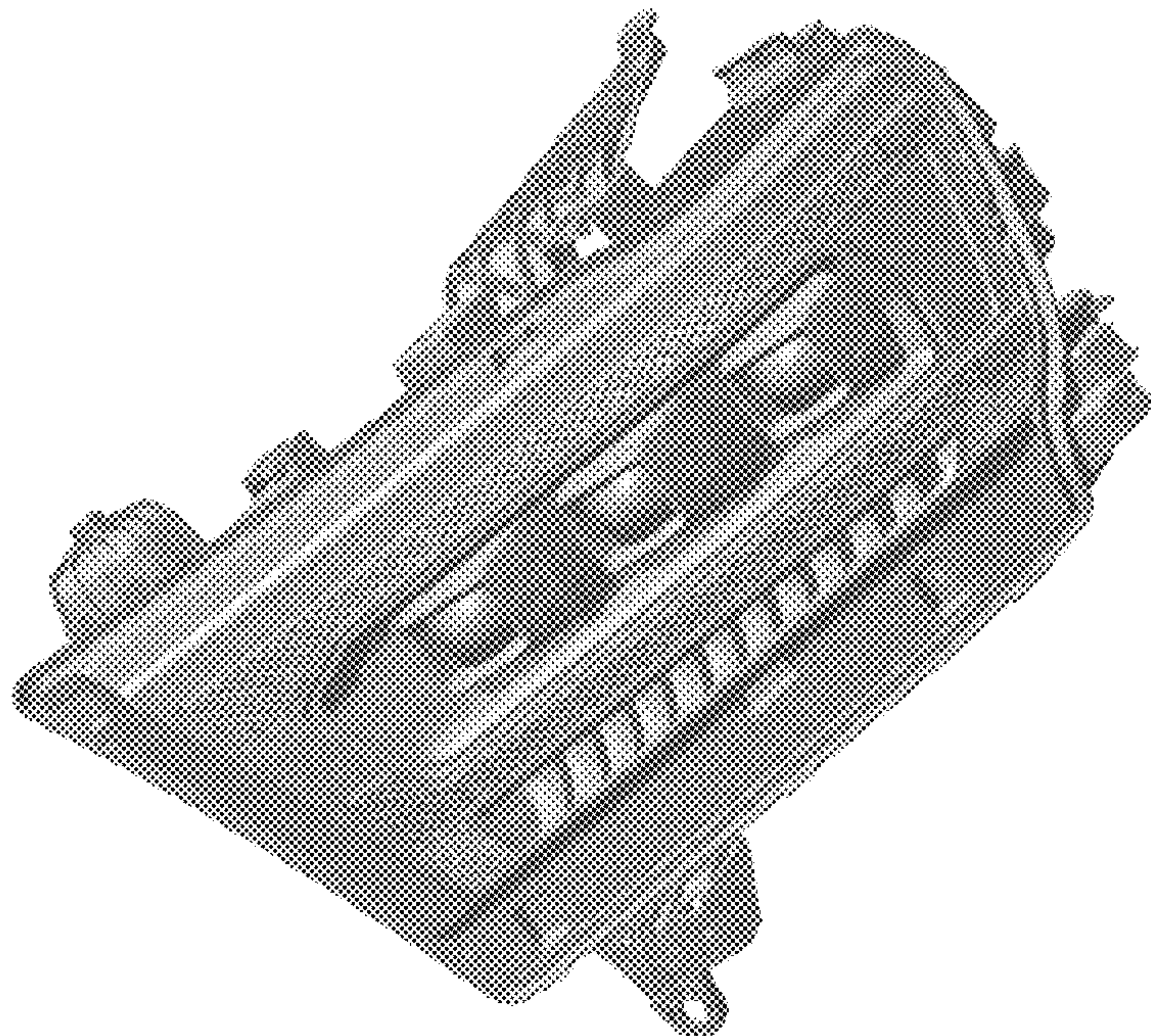
FIG. 16 is a bottom view of the second embodiment thereof.

(56) **References Cited**

U.S. PATENT DOCUMENTS

D593,233 S * 5/2009 Bai D26/28
D597,689 S 8/2009 Sun et al.
D674,938 S * 1/2013 Lai D26/28
D743,065 S * 11/2015 Weil D26/28
D787,721 S * 5/2017 Lai D26/28
D809,682 S * 2/2018 Lin D26/28

1 Claim, 16 Drawing Sheets



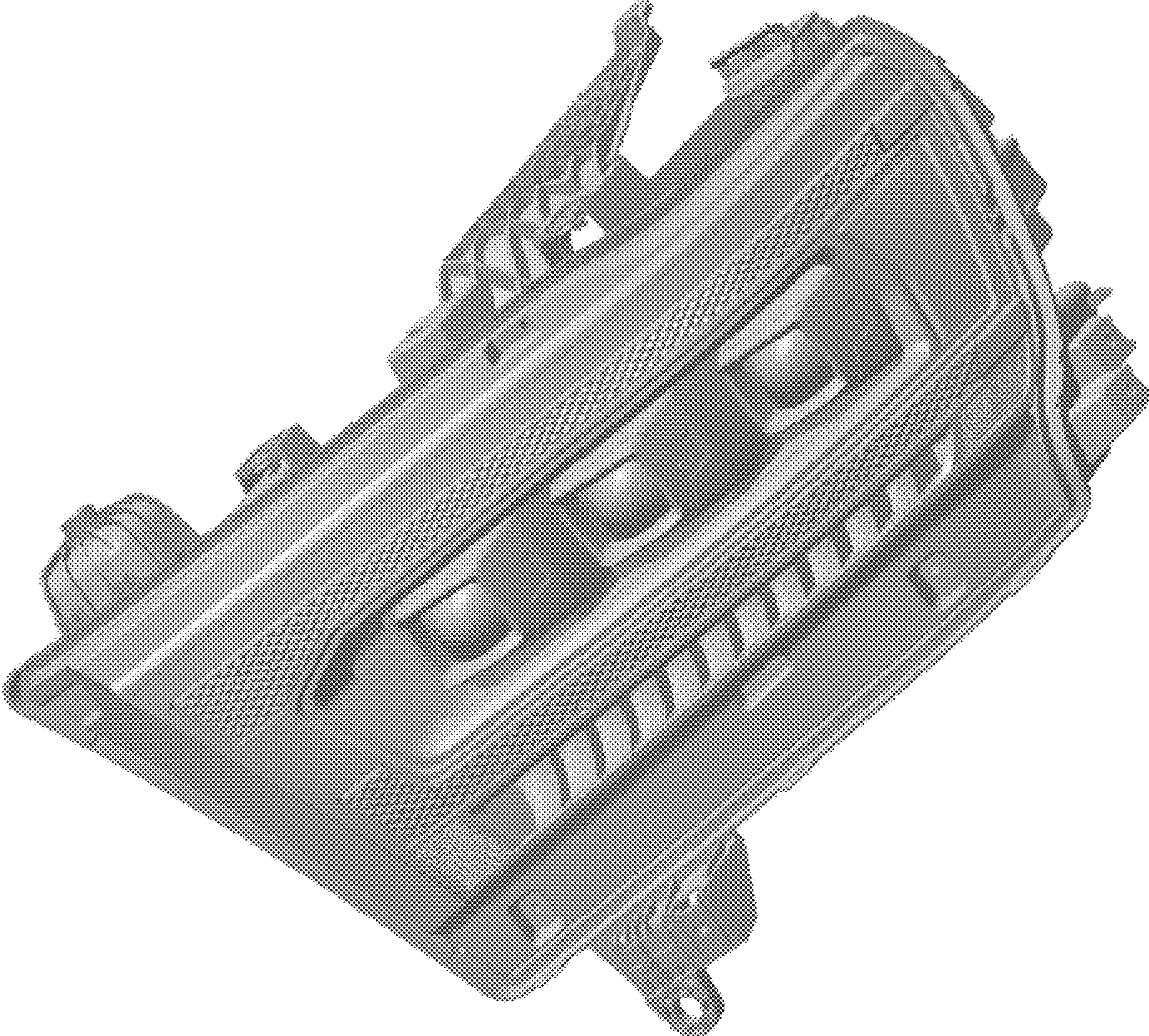


FIG.1

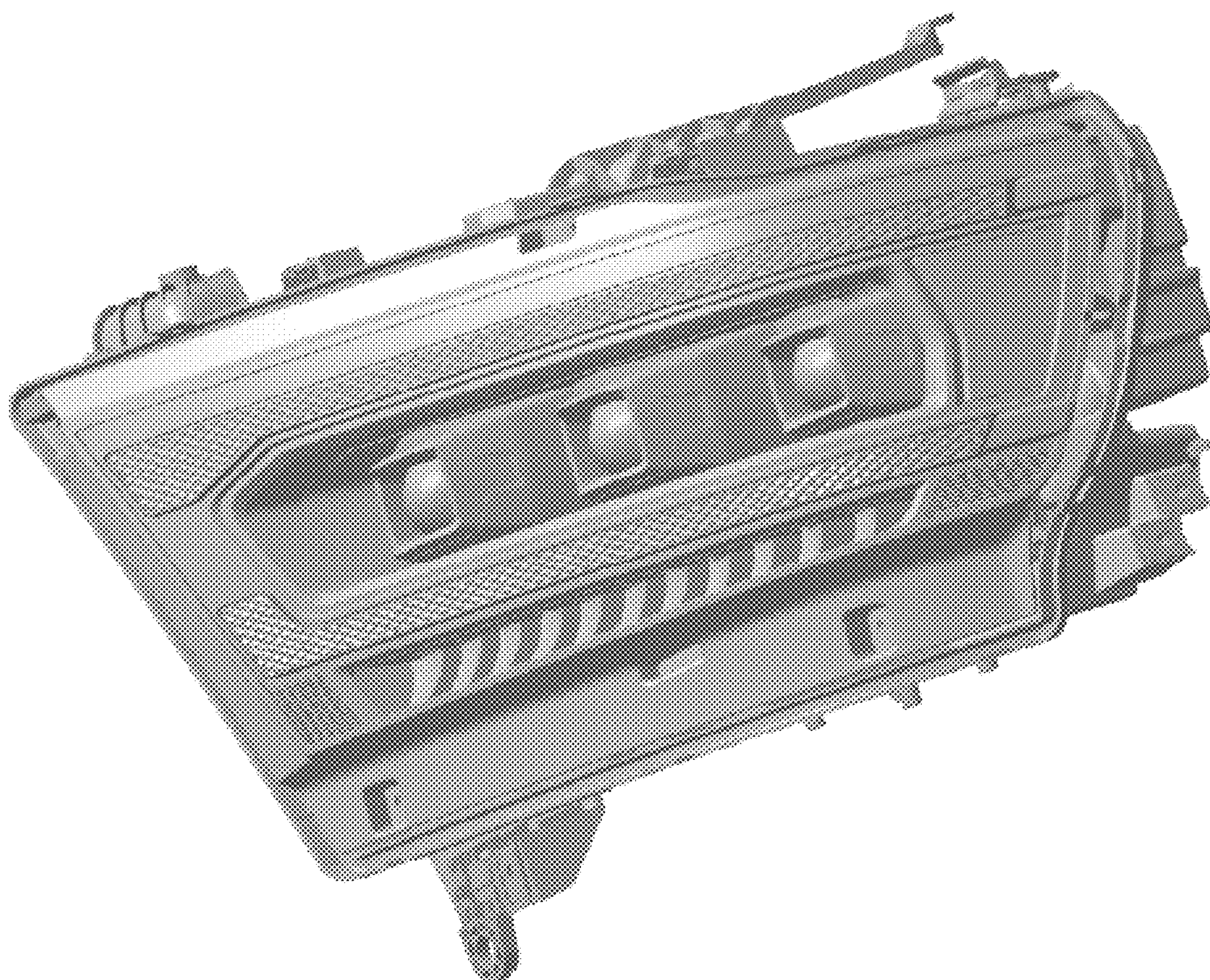


FIG.2

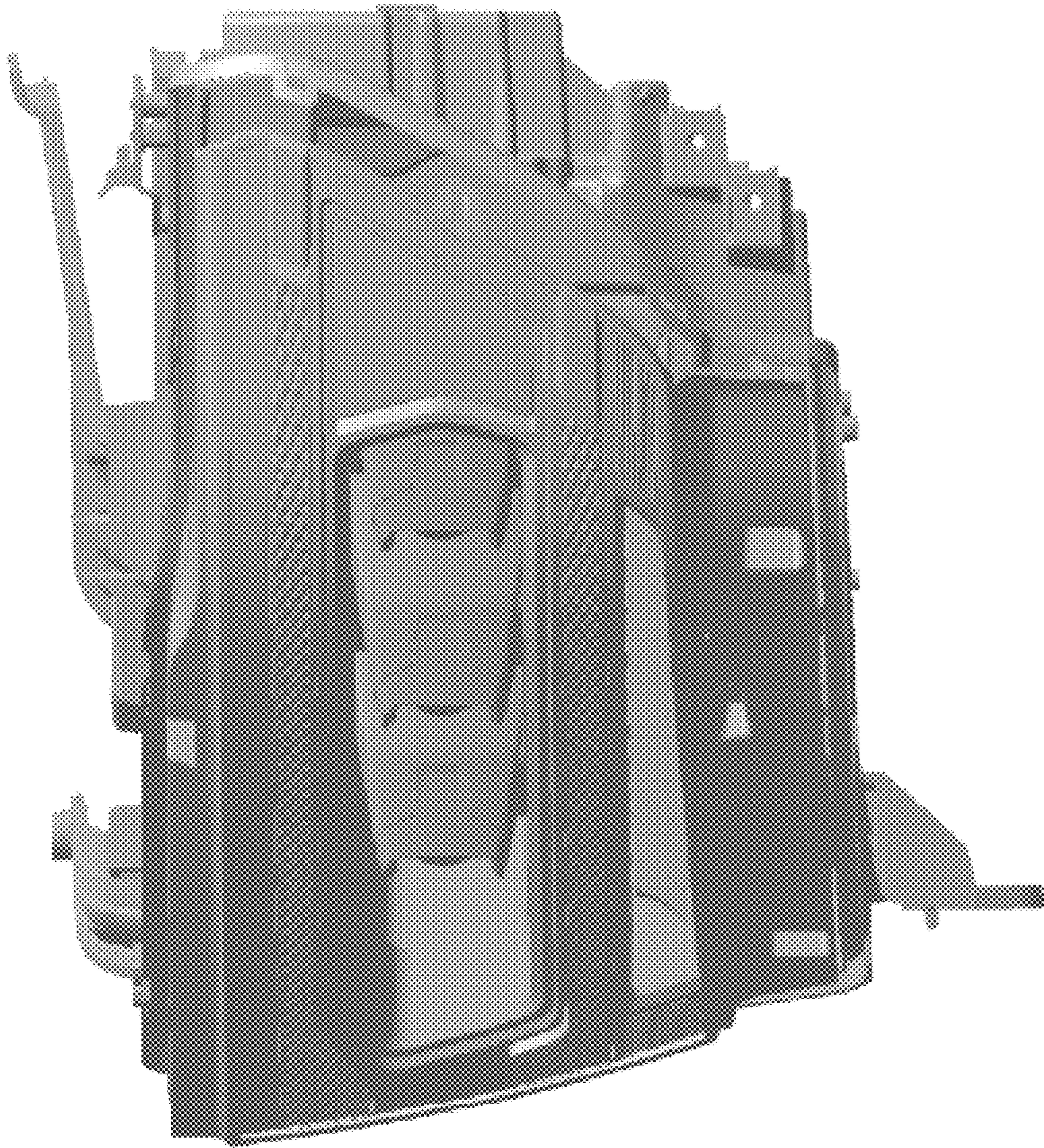


FIG.3

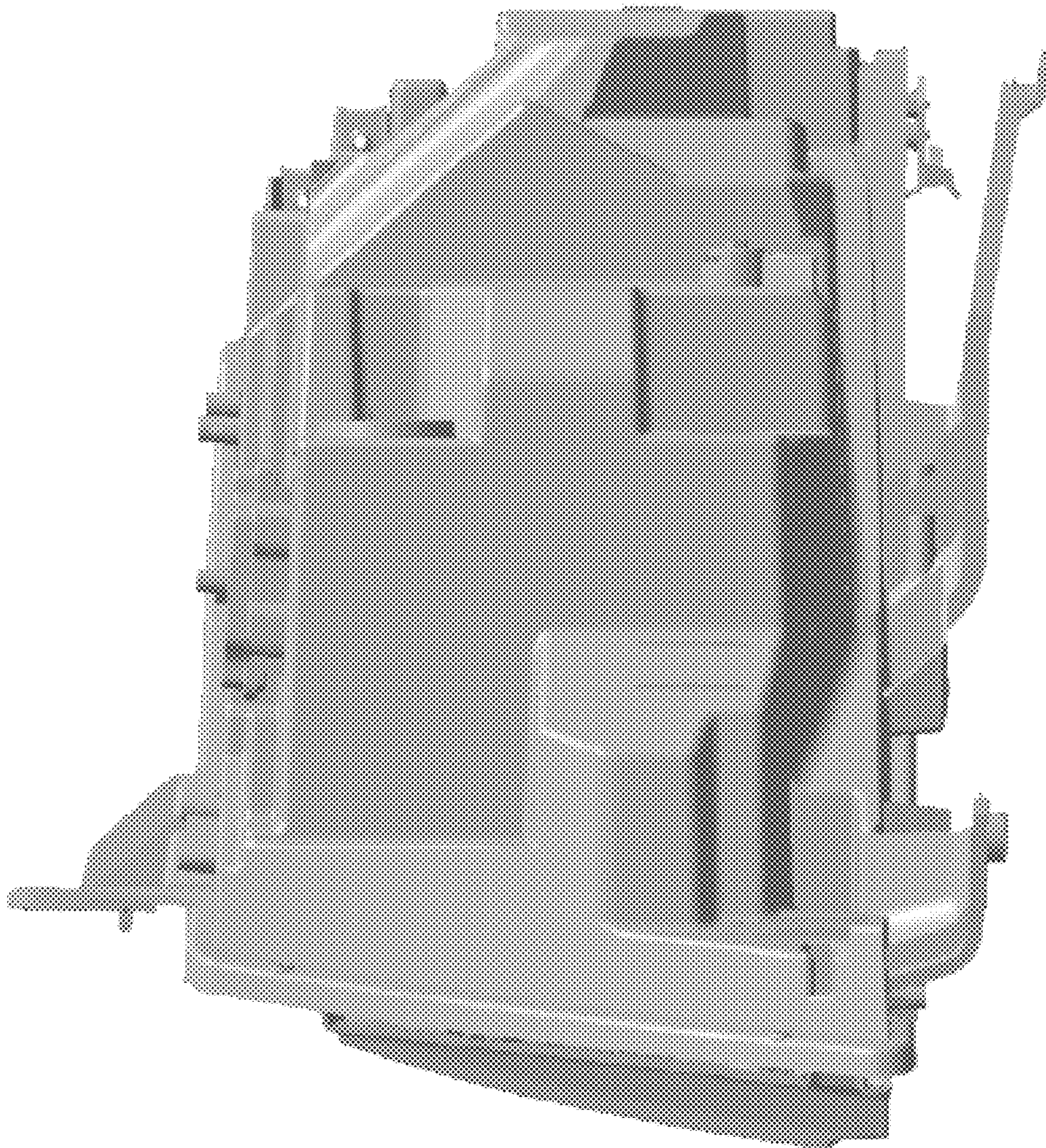


FIG.4

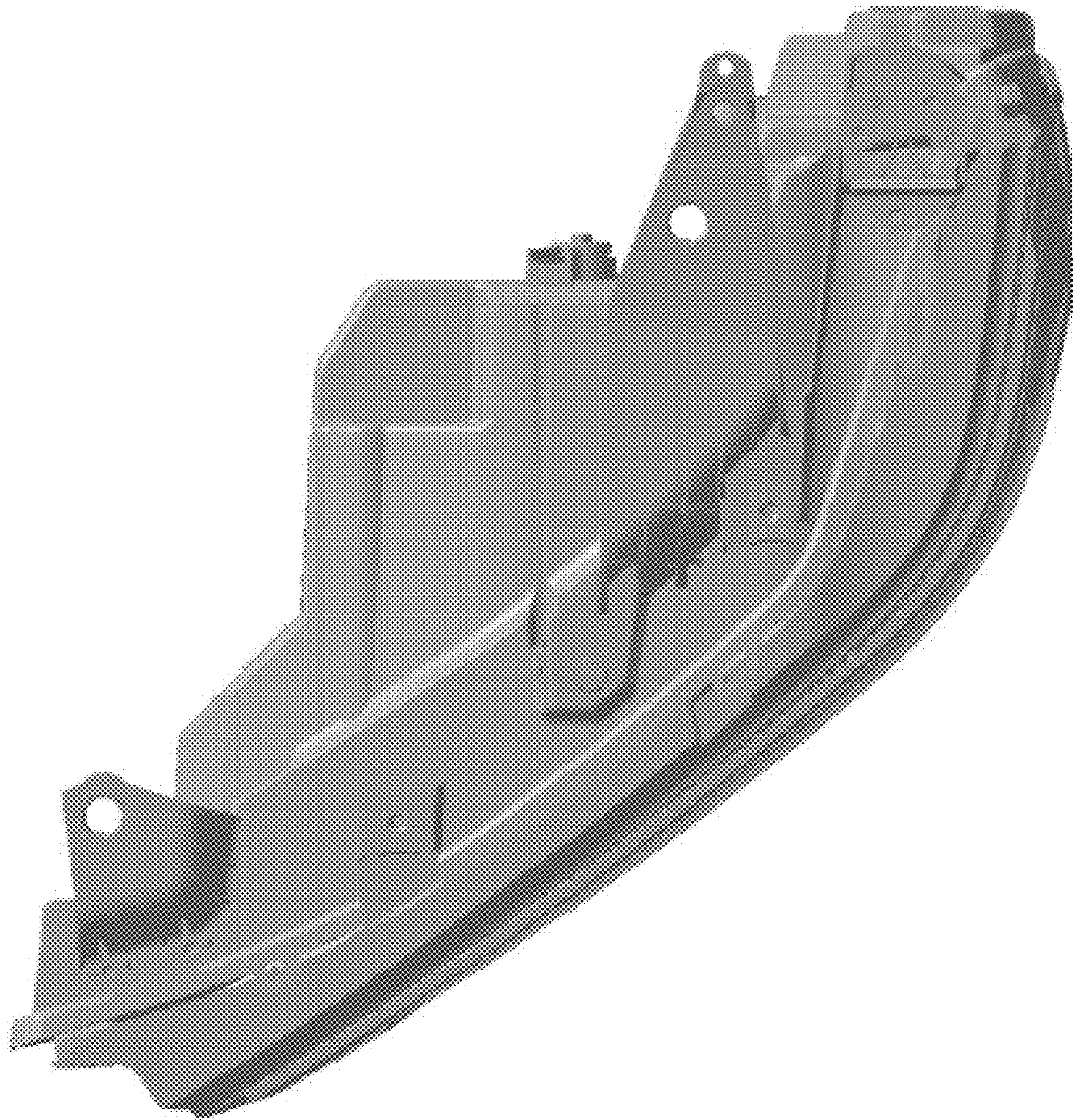


FIG.5

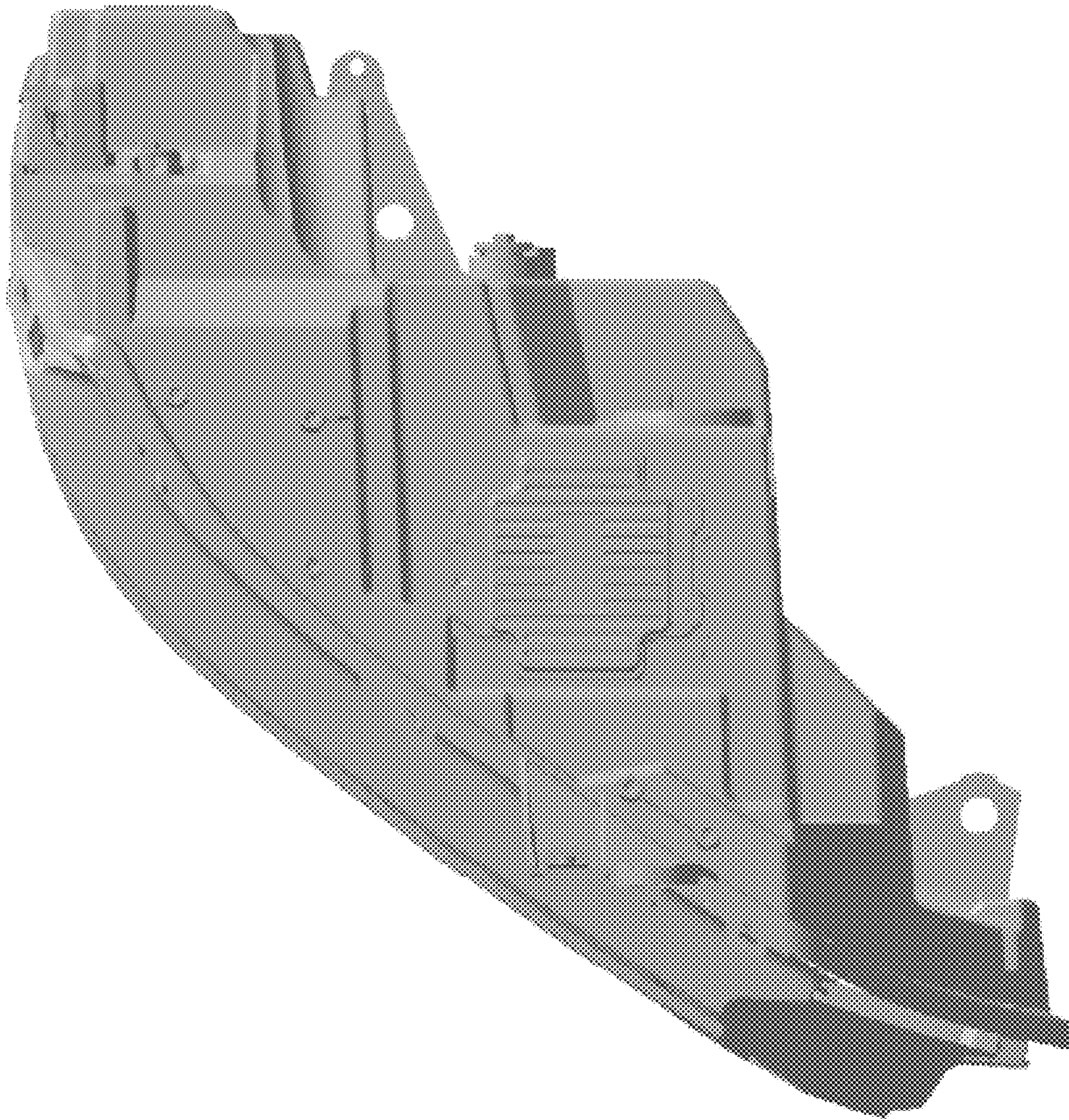


FIG.6

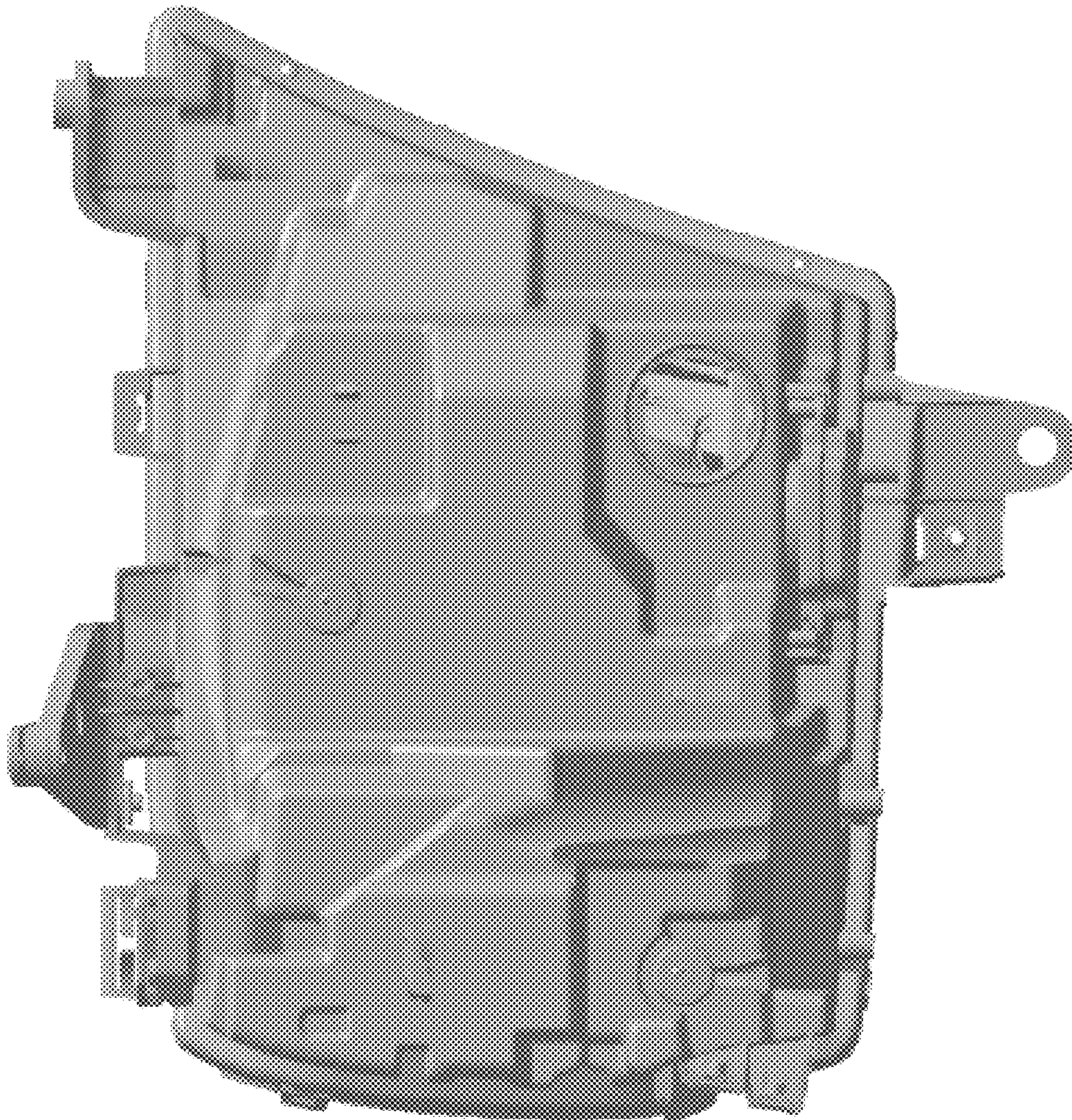


FIG.7

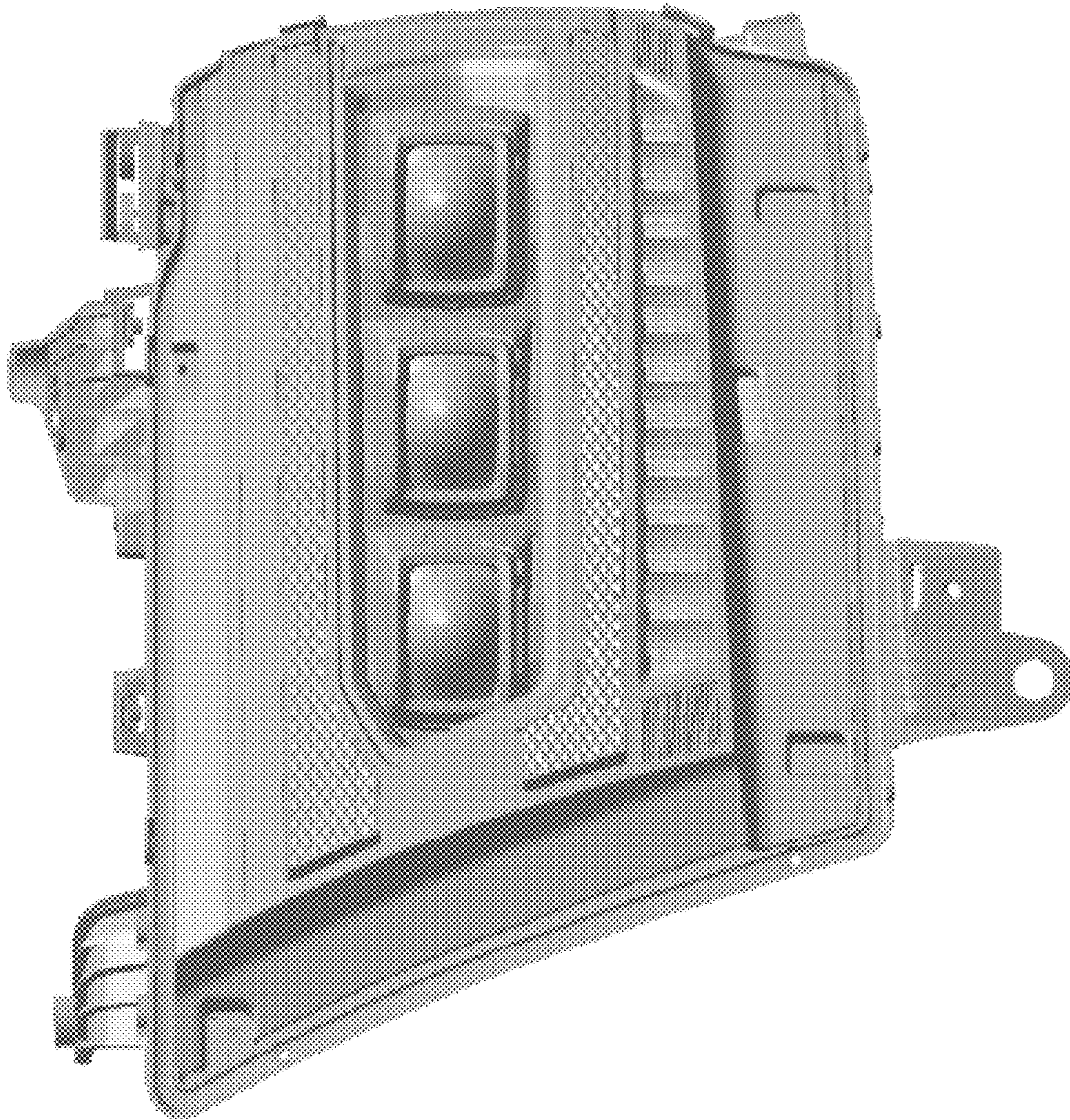


FIG.8

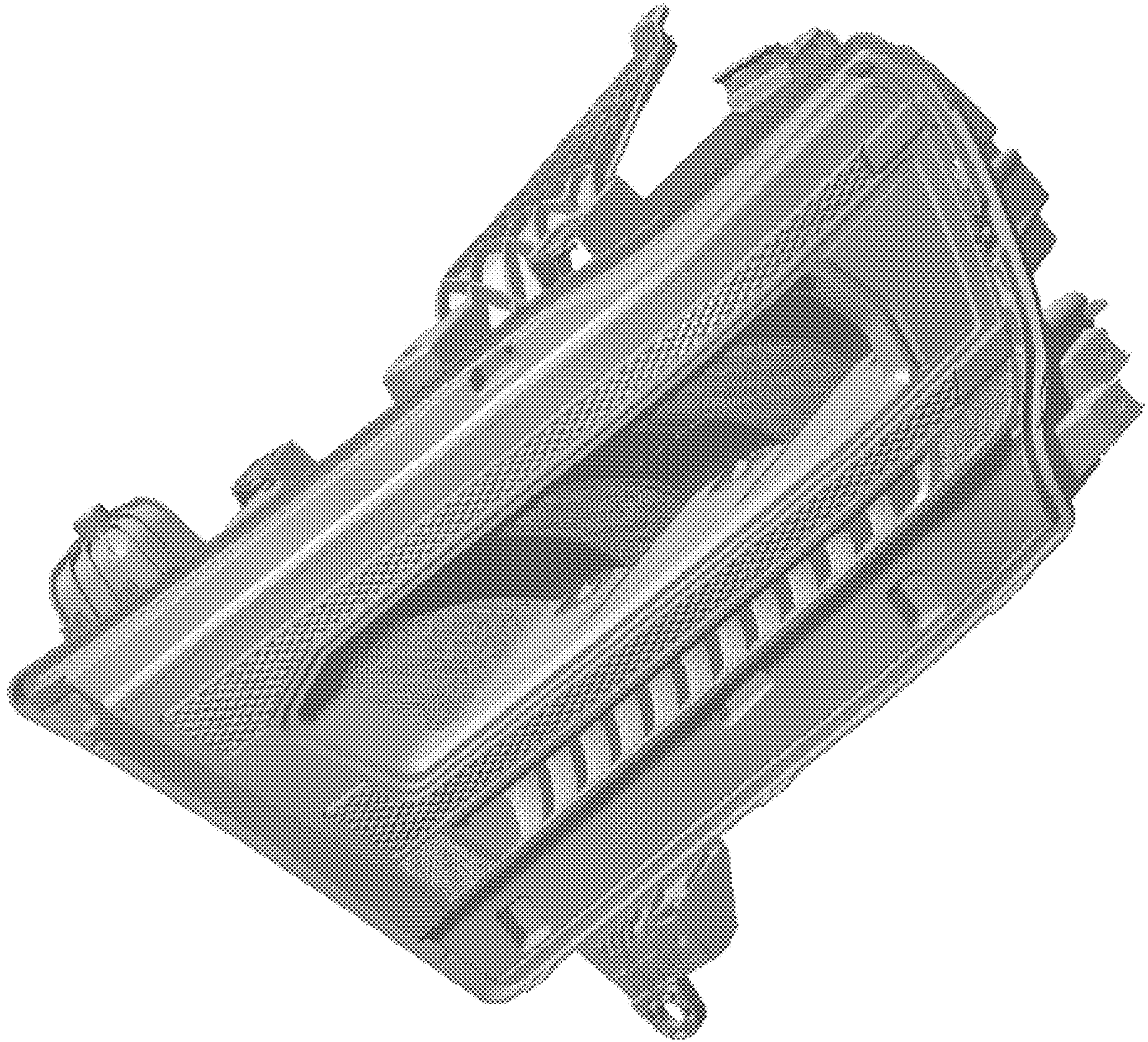


FIG.9

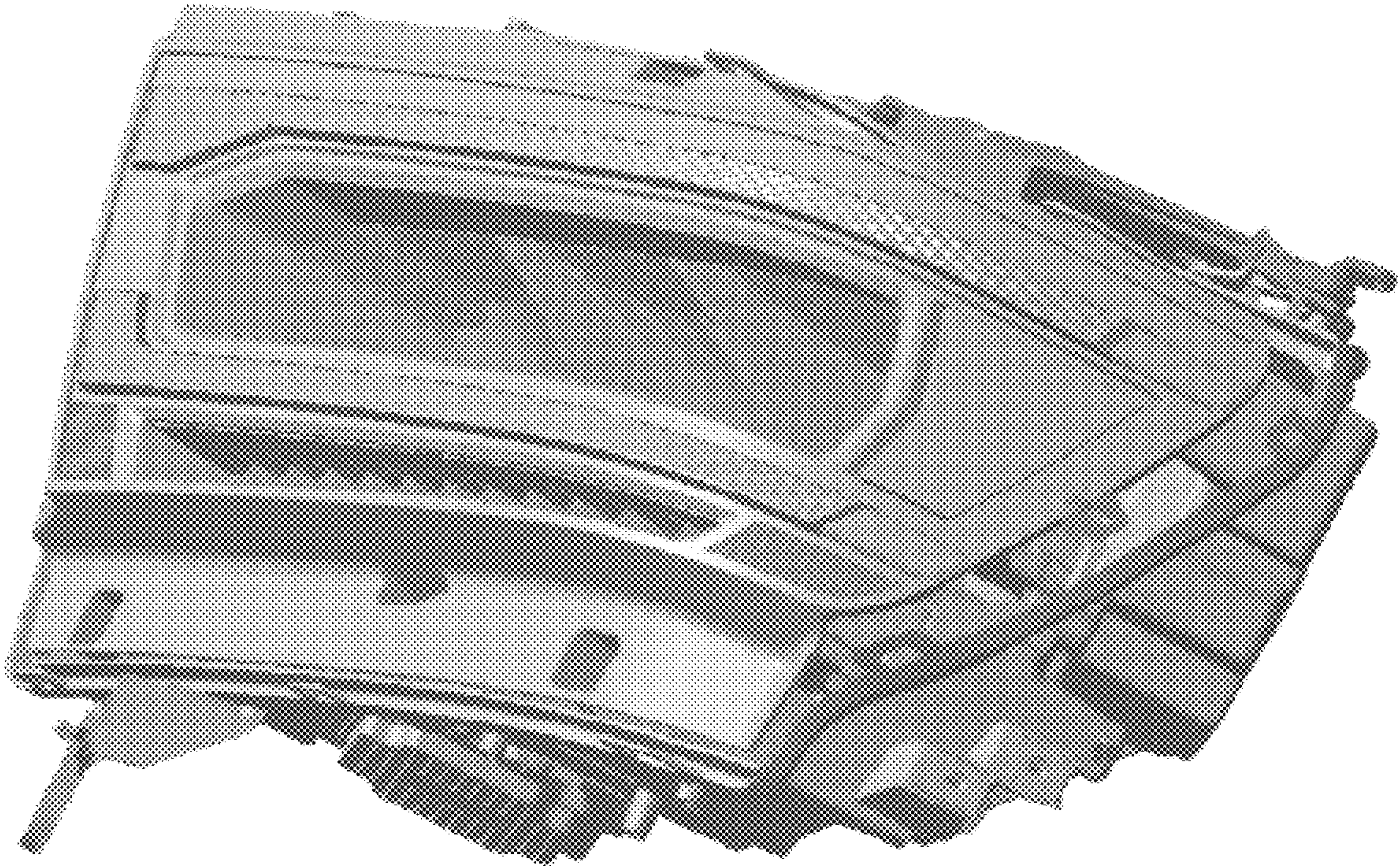


FIG.10

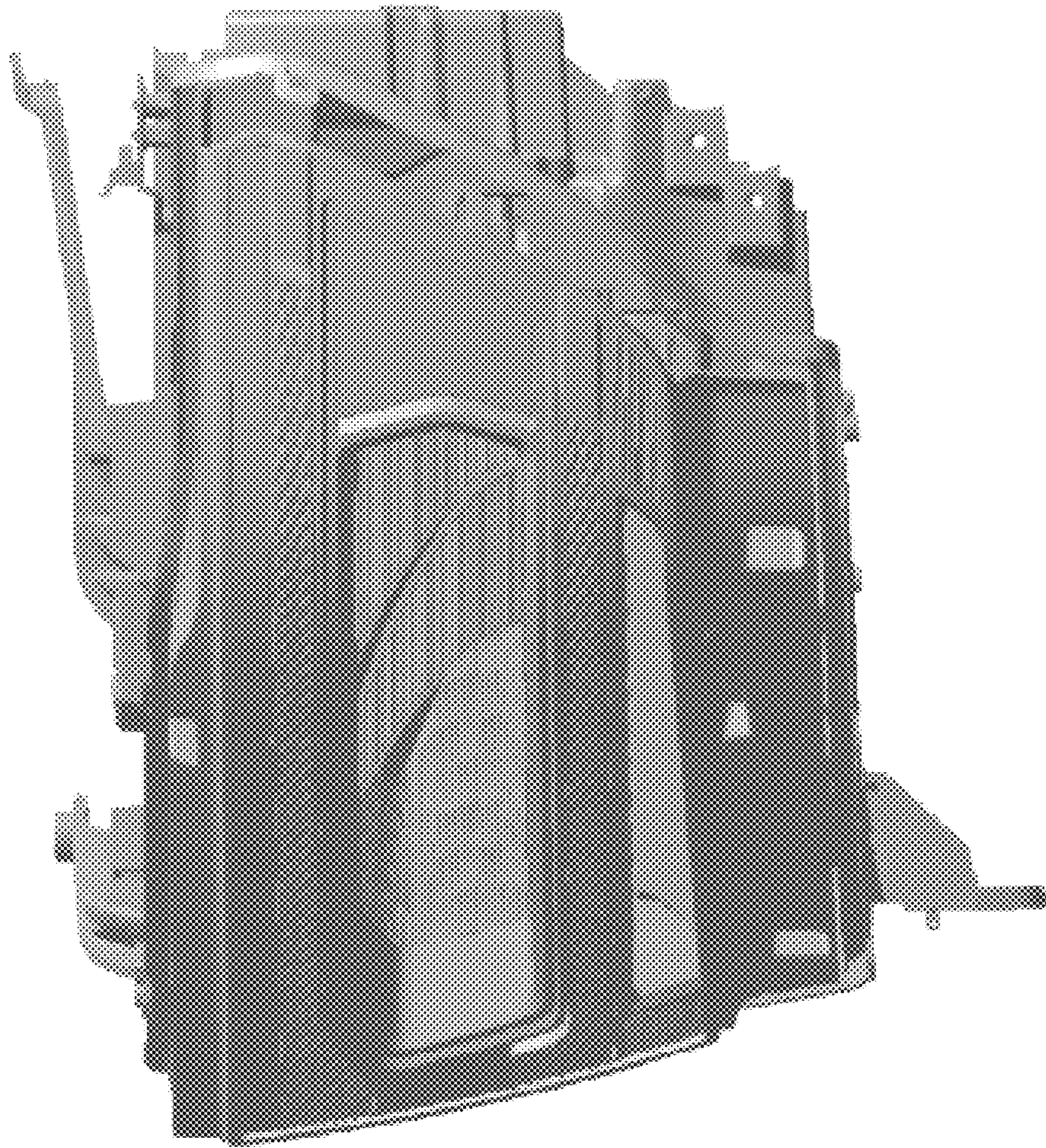


FIG.11

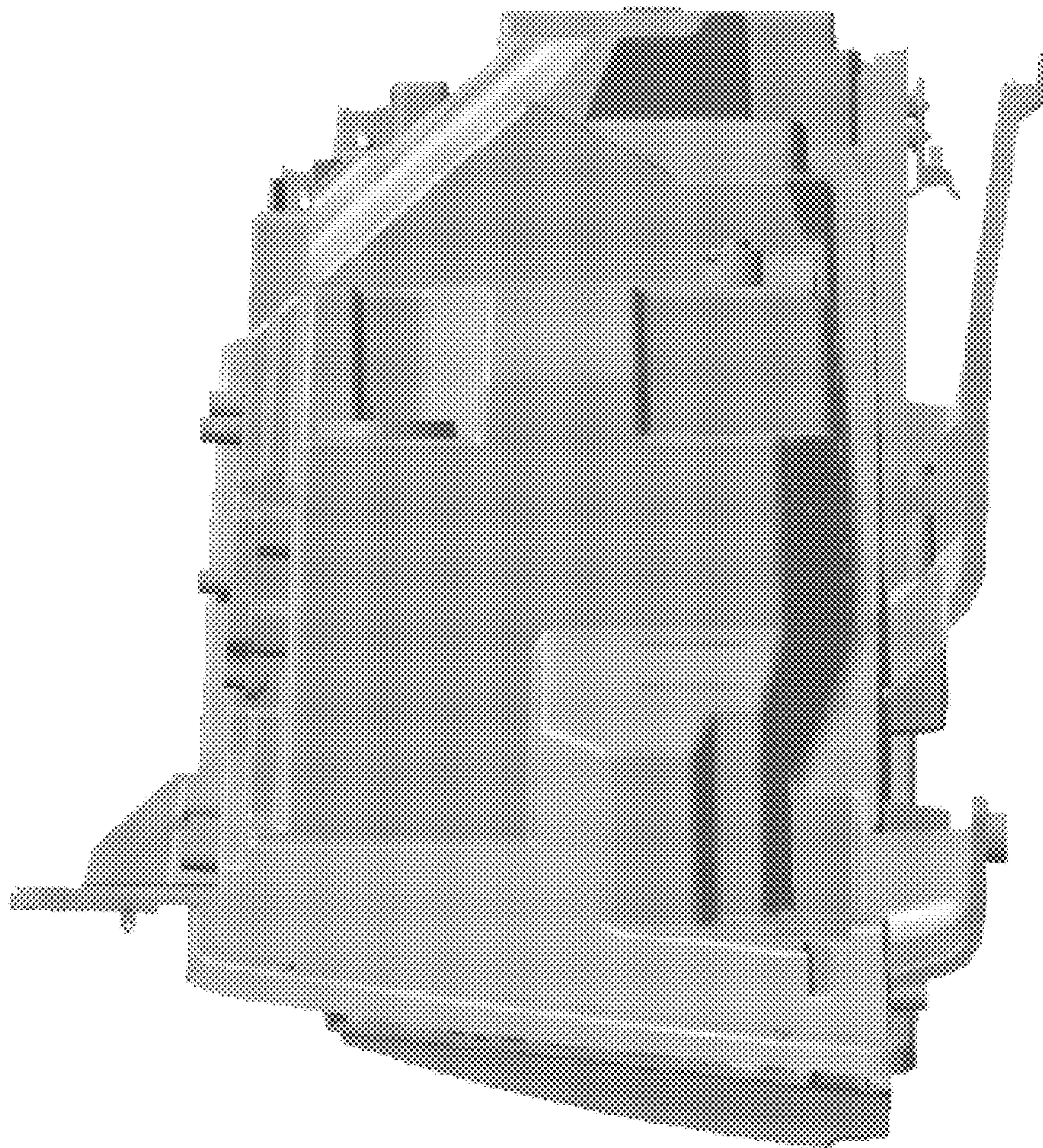


FIG.12

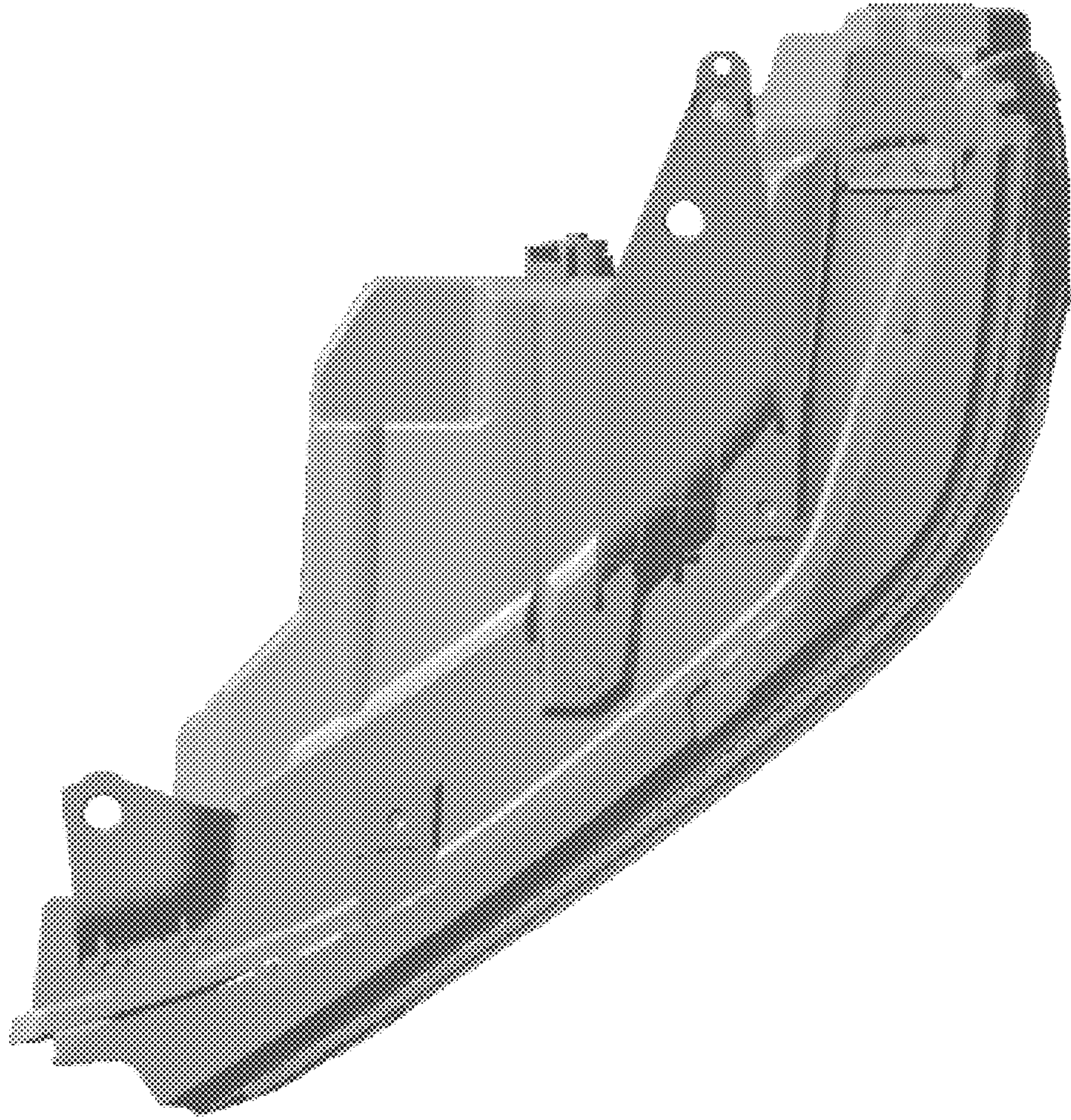


FIG.13

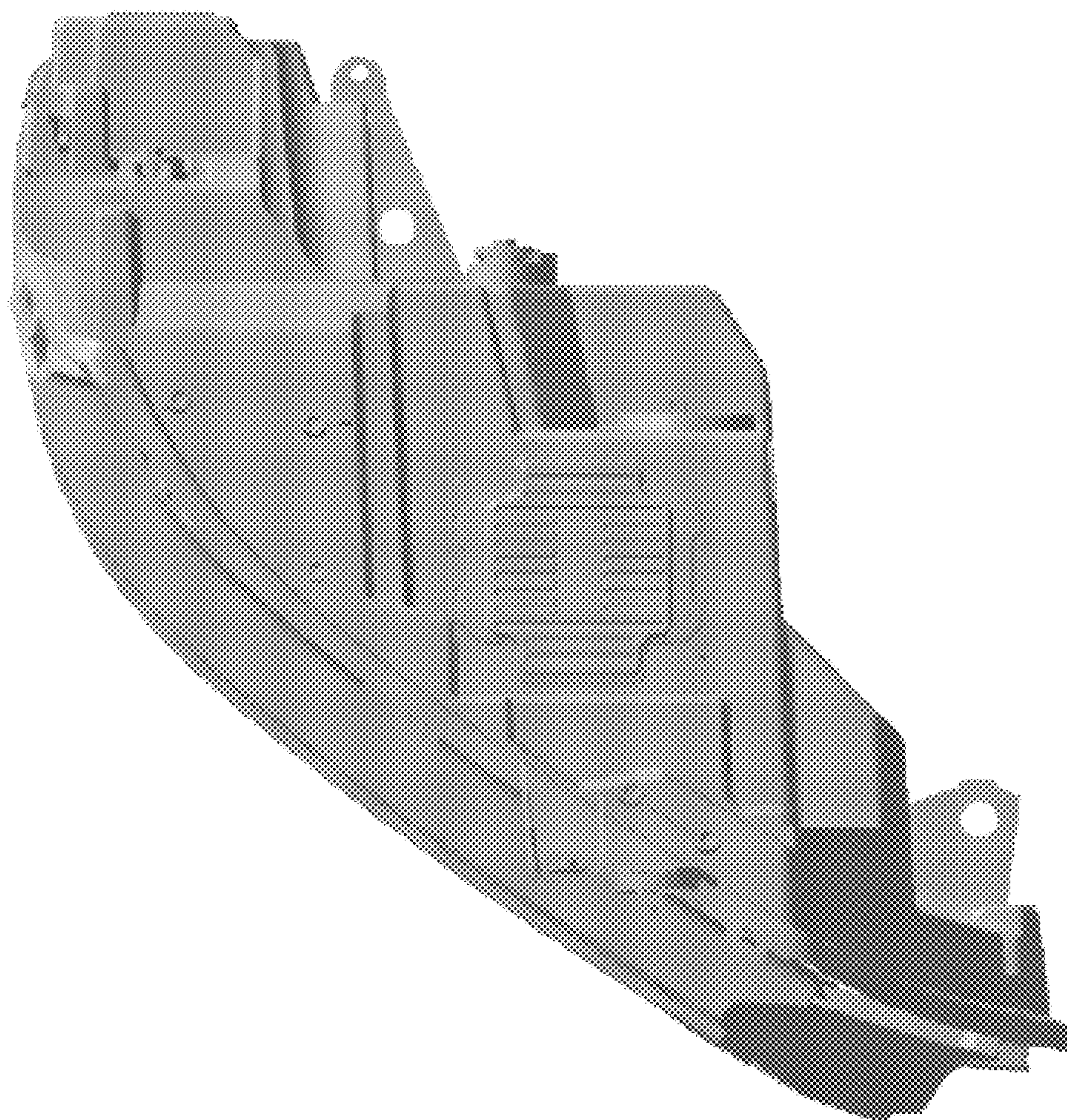


FIG.14

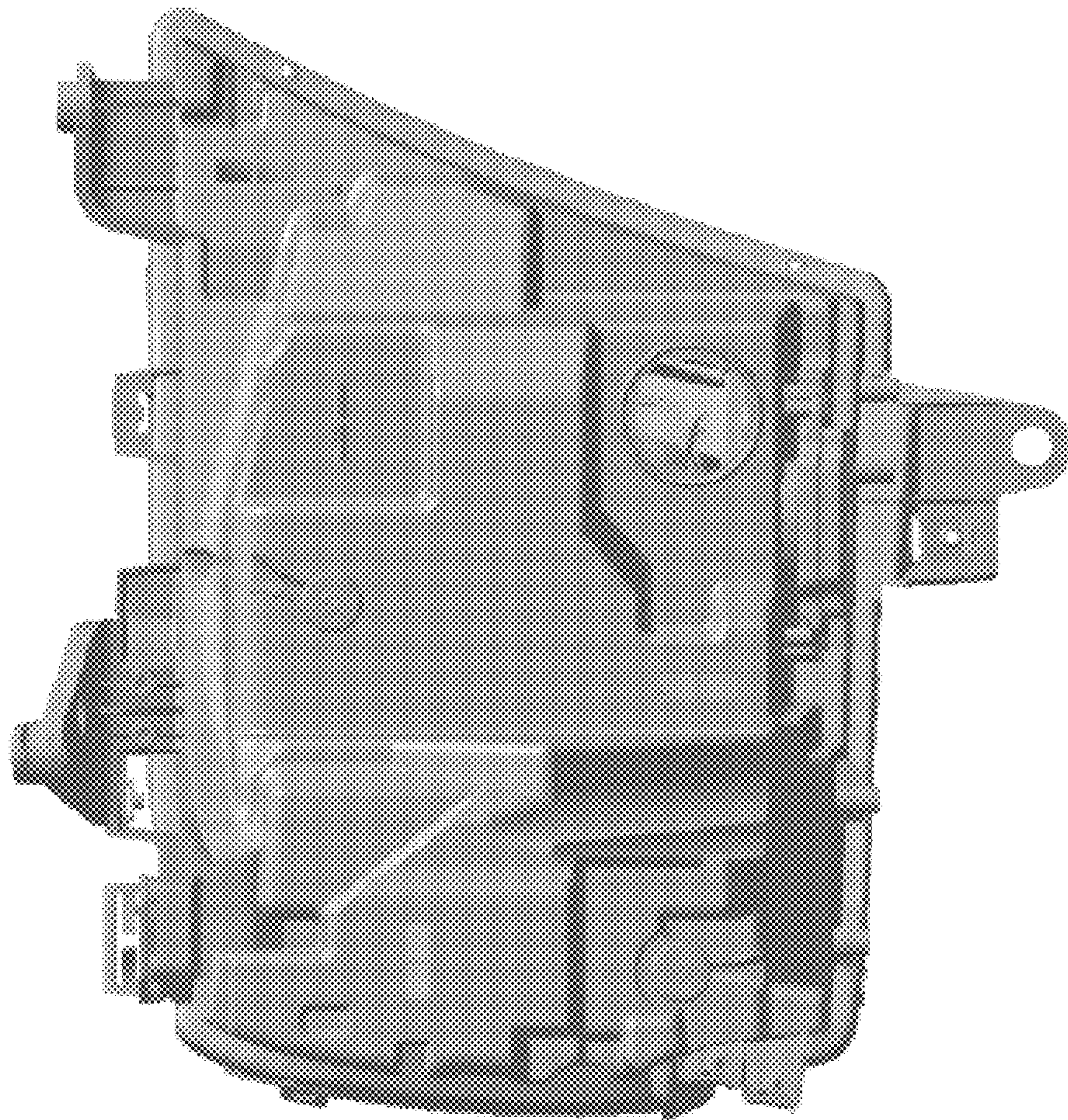


FIG.15

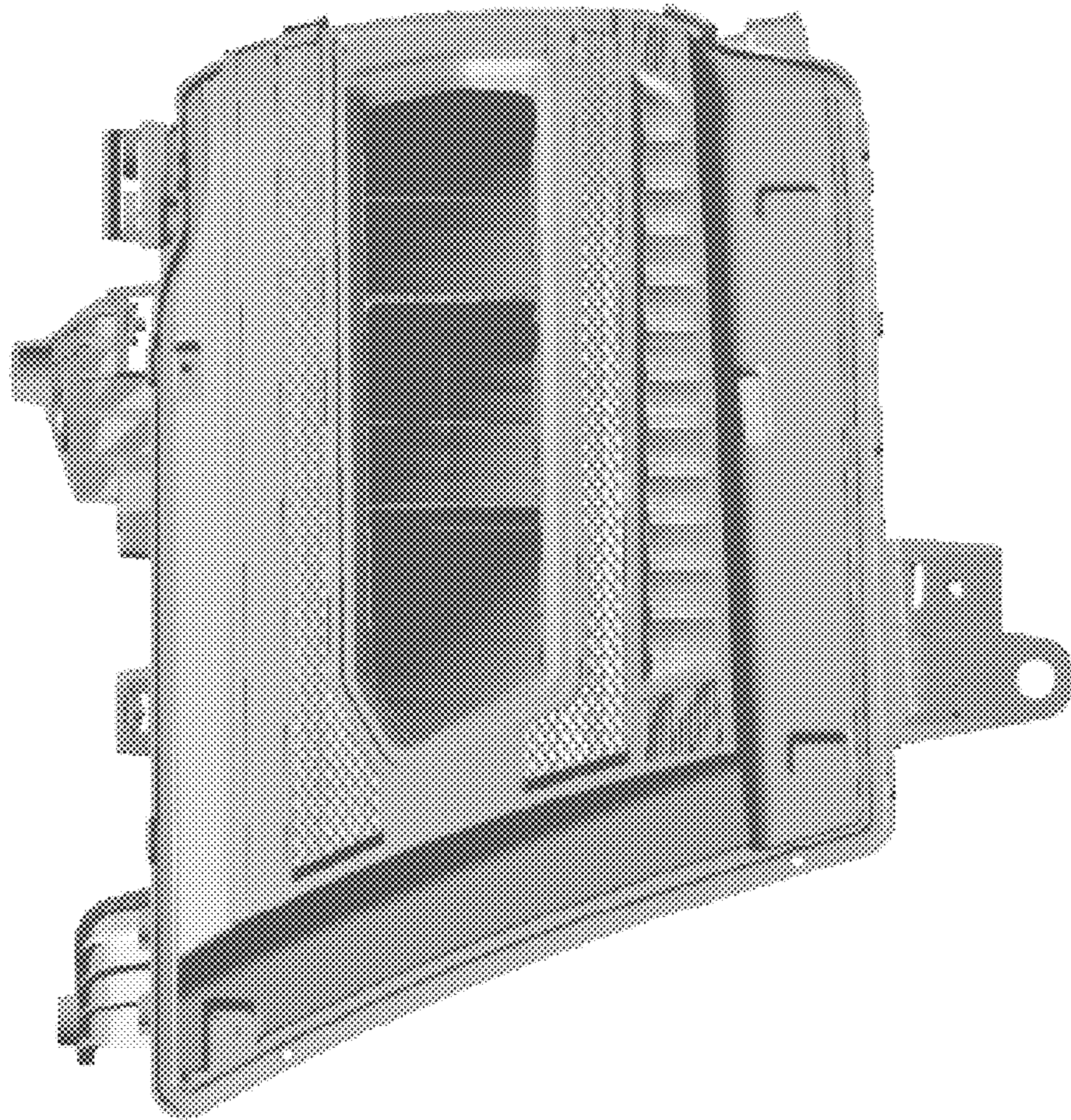


FIG.16