



US00D908932S

(12) **United States Design Patent** (10) **Patent No.:** **US D908,932 S**  
**Richardson et al.** (45) **Date of Patent:** **\*\* Jan. 26, 2021**

(54) **LIGHT**  
(71) Applicant: **RBW STUDIO, LLC**, Brooklyn, NY (US)  
(72) Inventors: **Theodore Richardson**, Brooklyn, NY (US); **Charles Brill**, Brooklyn, NY (US); **Alexander Williams**, Brooklyn, NY (US)  
(73) Assignee: **RBW STUDIO, LLC**, Brooklyn, NY (US)  
(\*\*) Term: **15 Years**  
(21) Appl. No.: **29/686,675**  
(22) Filed: **Apr. 5, 2019**  
(51) **LOC (13) Cl.** ..... **26-03**  
(52) **U.S. Cl.**  
USPC ..... **D26/24; D26/118**  
(58) **Field of Classification Search**  
USPC ..... D26/1, 24, 34, 36, 44, 49, 51, 61, 93, D26/104, 106, 110, 118, 119, 123, 124, D26/137; D10/104.1, 107, 114.1, 114.2, D10/114.8; 362/362, 641  
CPC ..... F21V 21/00; F21V 21/30; F21V 15/01; F21V 7/00; F21V 7/04; F21V 7/043; F21V 7/045; F21V 7/046; F21V 37/0095; F21S 9/00; F21S 9/022; F21S 8/35; F21S 10/00; F21S 10/007  
See application file for complete search history.

(56) **References Cited**  
U.S. PATENT DOCUMENTS

D485,003 S \* 1/2004 Olson ..... D26/104  
D539,971 S \* 4/2007 McDowell ..... D26/118

D684,298 S \* 6/2013 Liang ..... D26/118  
D773,706 S \* 12/2016 Ookawa ..... D26/51  
D803,469 S \* 11/2017 Rauta ..... D26/110  
D807,535 S \* 1/2018 Sozzi ..... D26/1  
9,890,929 B2 \* 2/2018 Kroell ..... G02B 27/0933  
D813,438 S \* 3/2018 Vyvey ..... D26/72  
D844,888 S \* 4/2019 Green ..... H05B 47/125  
D26/110  
D850,703 S \* 6/2019 Lin ..... D26/110  
D882,859 S \* 4/2020 Ng ..... D26/118  
D889,025 S \* 6/2020 Ng ..... D26/118

\* cited by examiner

*Primary Examiner* — Wan Laymon  
*Assistant Examiner* — Clint A Samuel  
(74) *Attorney, Agent, or Firm* — Saidman DesignLaw Group, LLC

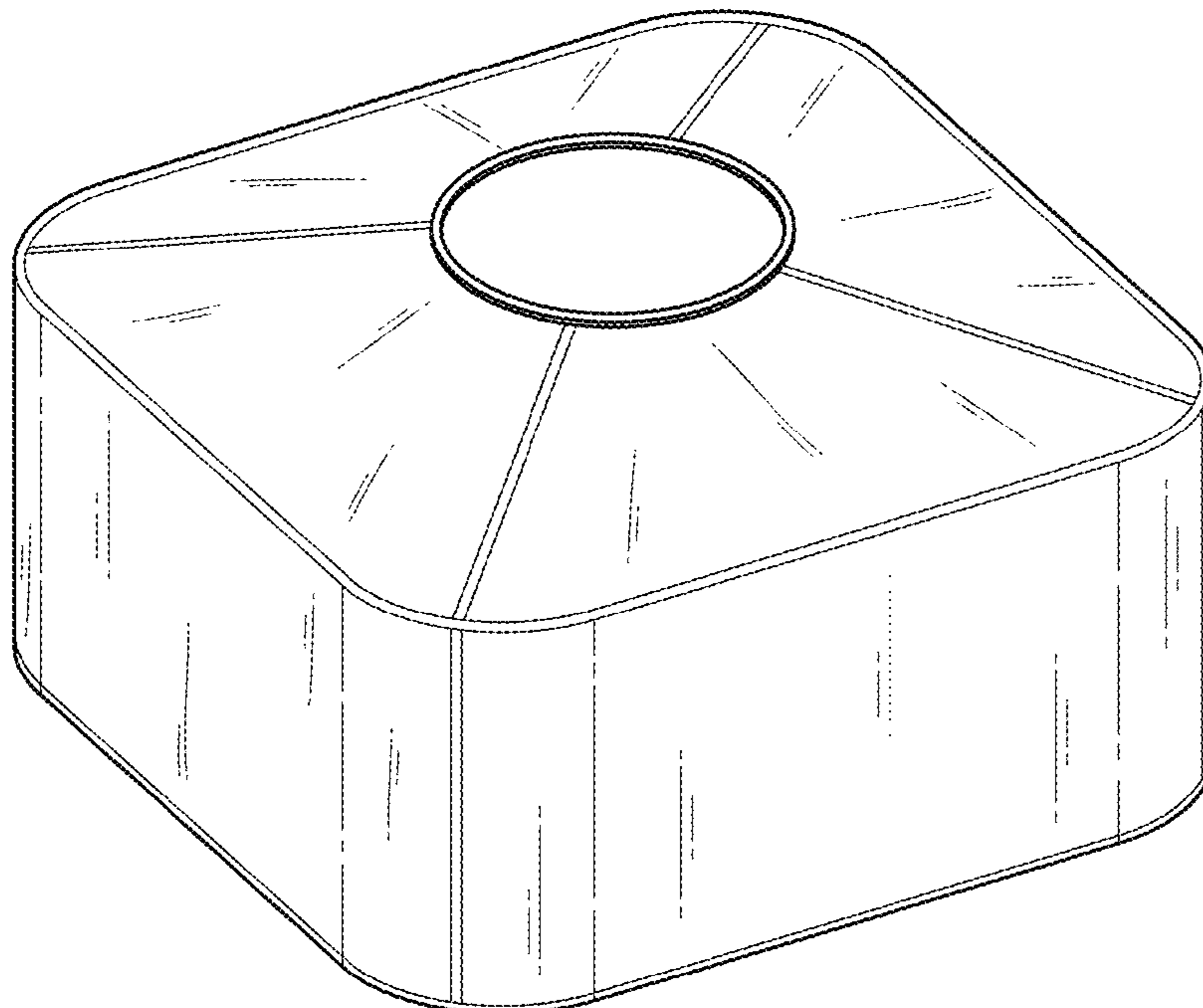
(57) **CLAIM**

The ornamental design for a light, as shown and described.

**DESCRIPTION**

FIG. 1 is a perspective view of a light showing our new design;  
FIG. 2 is a front view; the rear, left side, and right side views being a mirror image thereof;  
FIG. 3 is a top view thereof;  
FIG. 4 is a bottom view thereof;  
FIG. 5 is a perspective view of another embodiment thereof, having the same design characteristics exhibited in FIGS. 1-4; and,  
FIG. 6 is a perspective view of another embodiment thereof, having the same design characteristics in FIGS. 1-4.  
The drawings include surface shading which illustrates contour and not surface ornamentation.

**1 Claim, 4 Drawing Sheets**



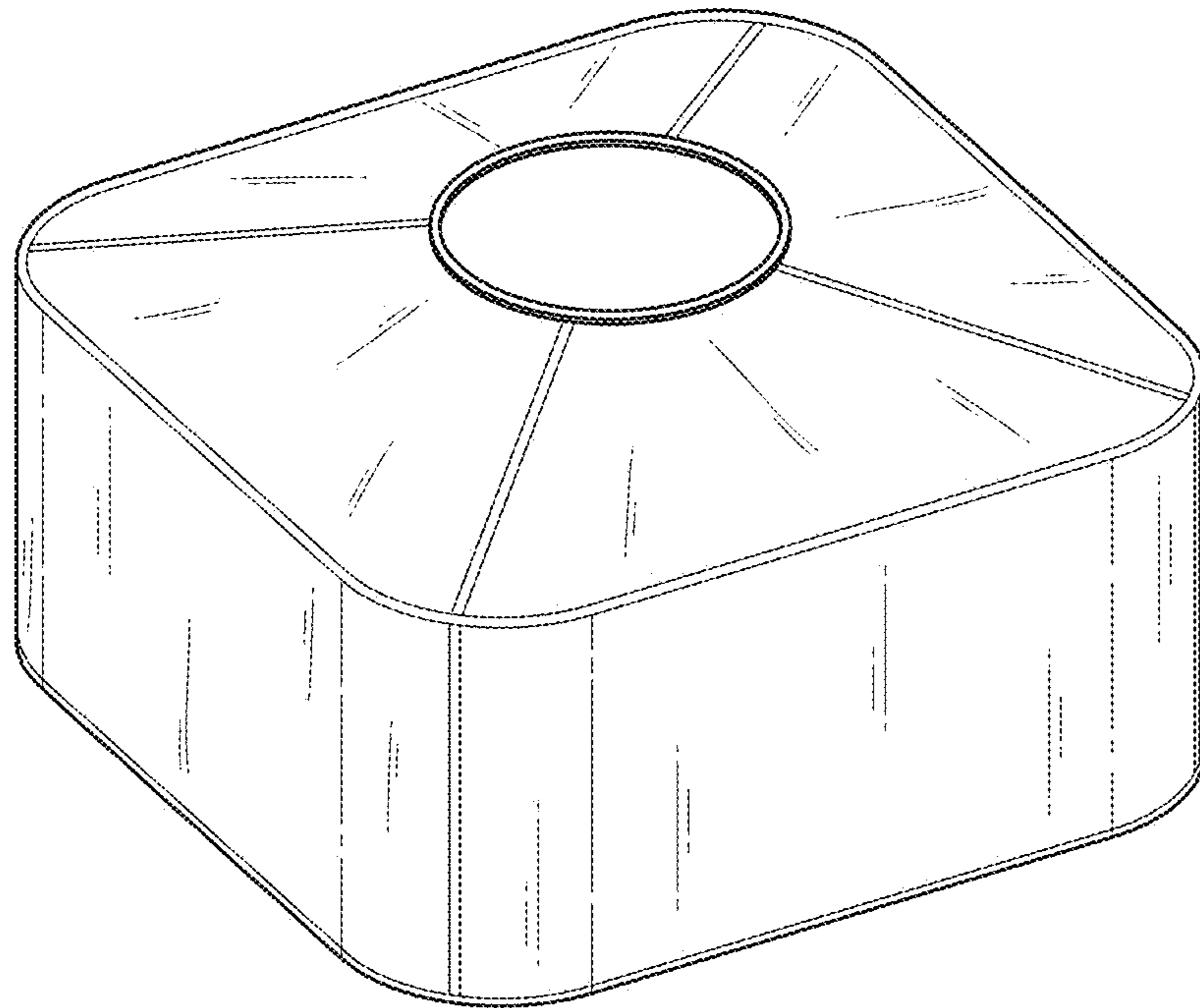


FIG. 1

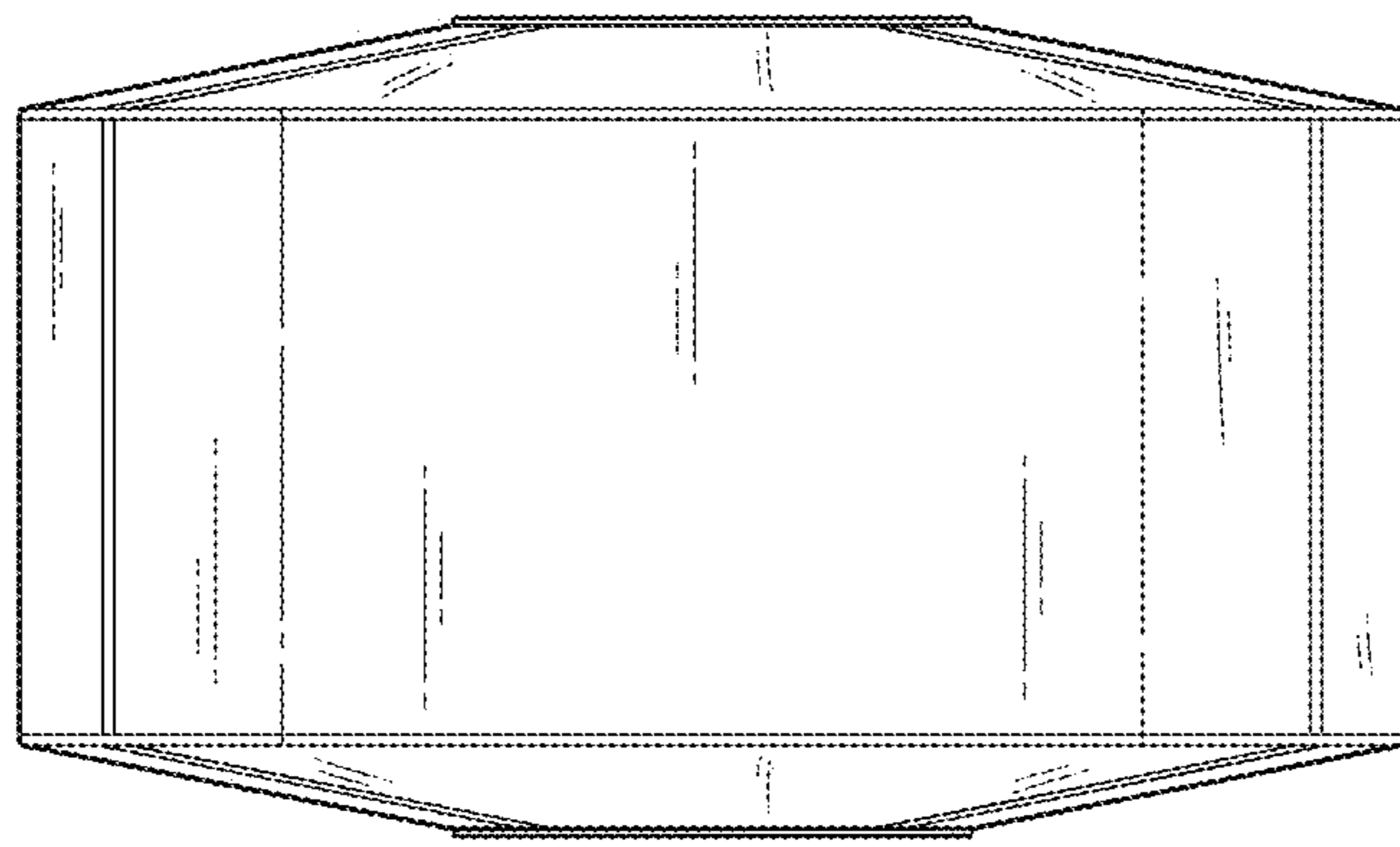


FIG. 2

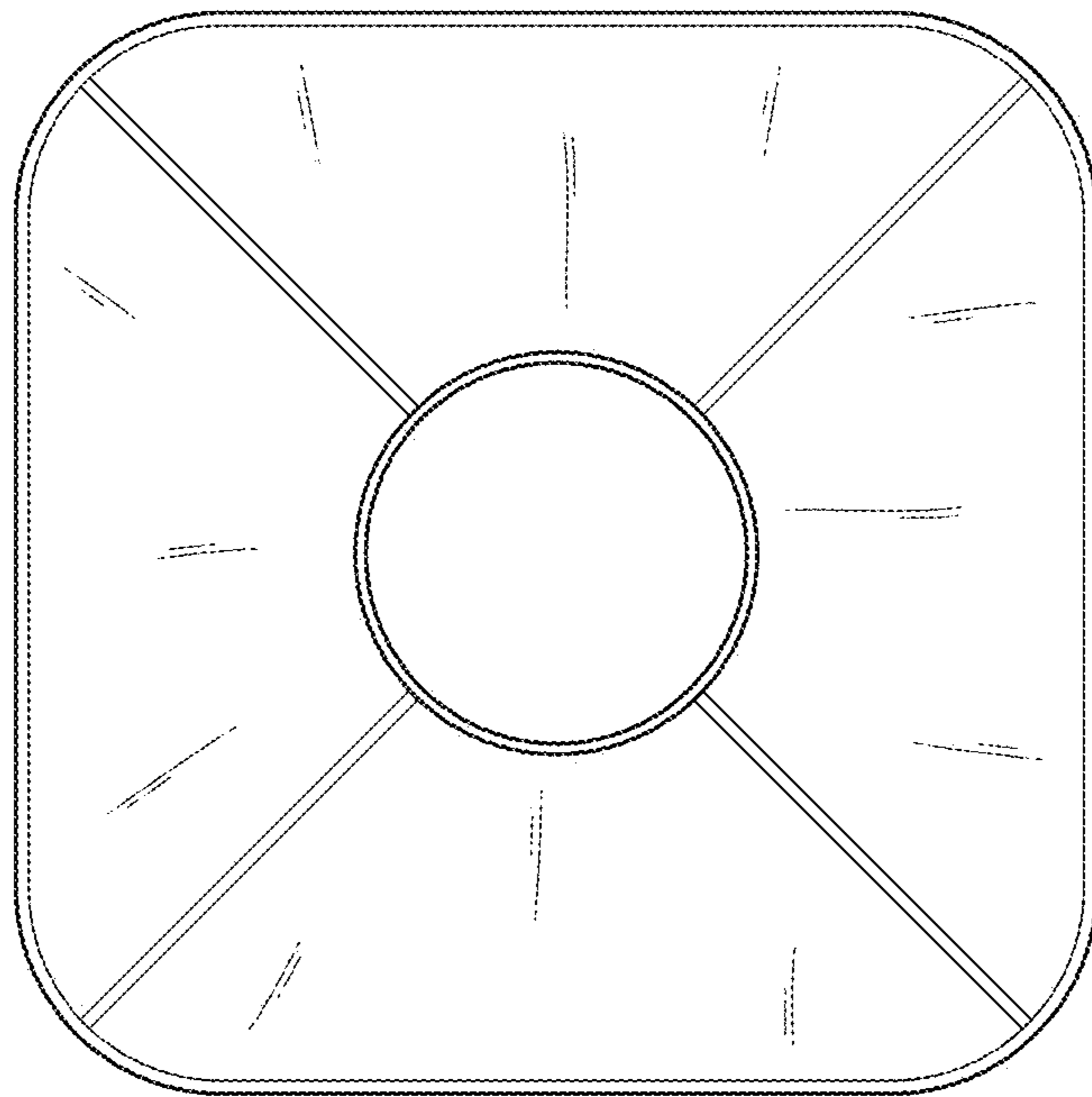


FIG. 3

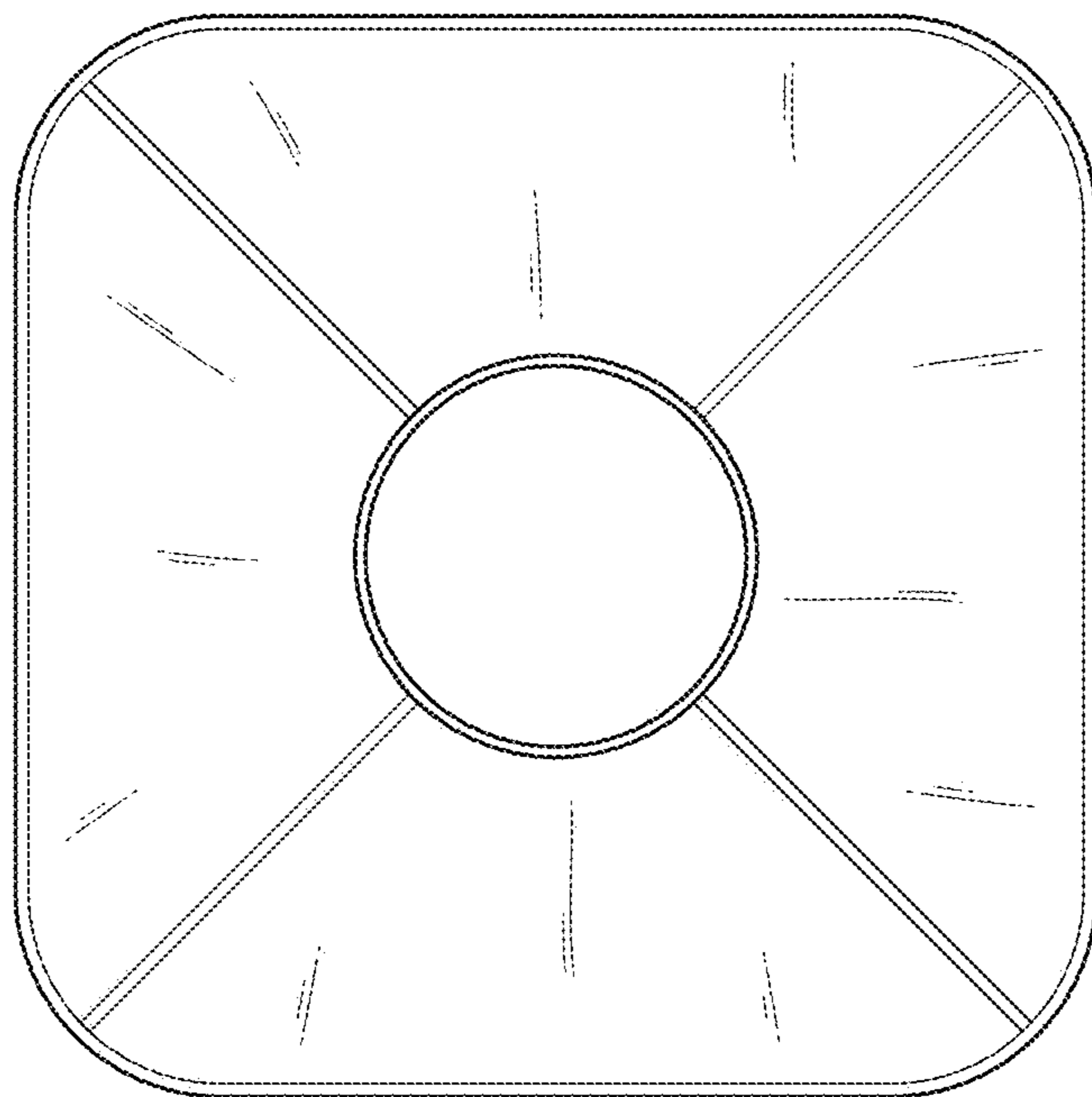


FIG. 4

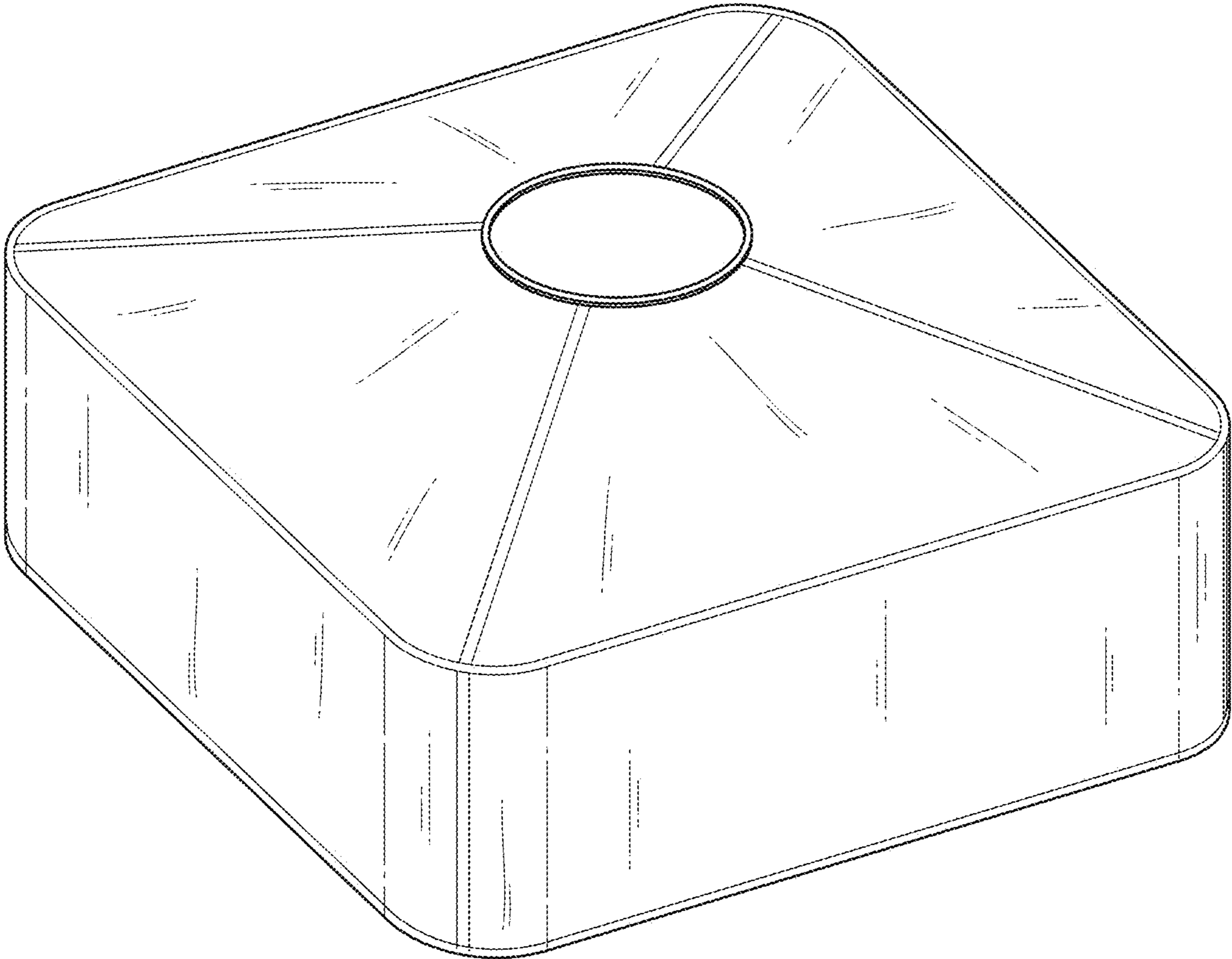


FIG. 5

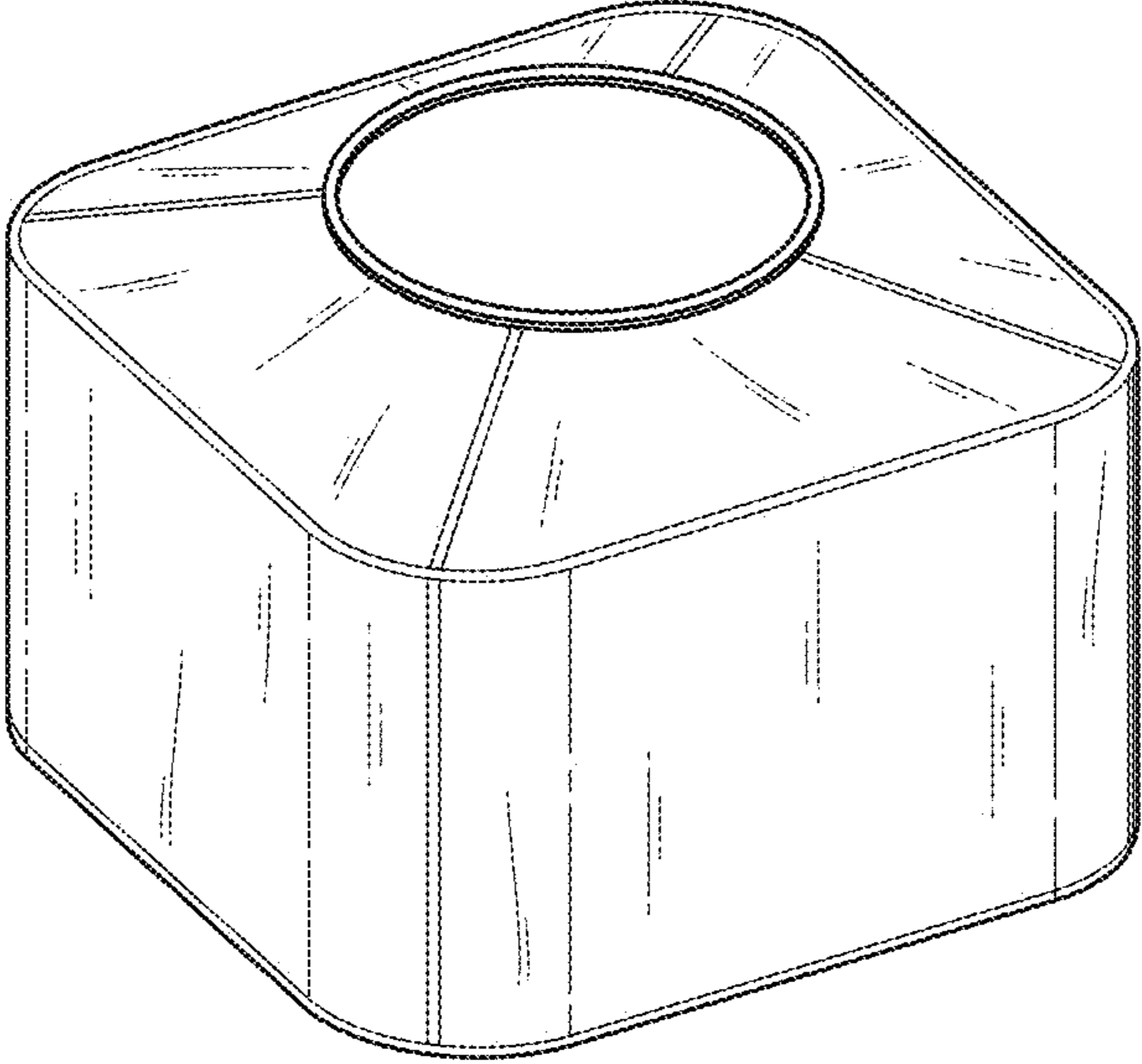


FIG. 6