



US00D908931S

(12) **United States Design Patent**
Zulauf

(10) **Patent No.:** **US D908,931 S**
(45) **Date of Patent:** **** Jan. 26, 2021**

(54) **MOVABLE REFLECTOR FOR A LIGHT BULB**

D545,457 S * 6/2007 Chen D26/2
D582,062 S * 12/2008 Van de Poel D26/2

* cited by examiner

(71) Applicant: **Besselink Licht Import B.V.**

Primary Examiner — Marcus A Jackson

(72) Inventor: **Patrick Nicole Zulauf**, Basel (CH)

(74) *Attorney, Agent, or Firm* — Kilpatrick Townsend & Stockton LLP

(73) Assignee: **Besselink Licht Import B.V.**, Duiven (NL)

(57) **CLAIM**

The ornamental design for a movable reflector for a light bulb, as shown and described.

(**) Term: **15 Years**

DESCRIPTION

(21) Appl. No.: **29/669,233**

FIG. 1 is a top perspective view of a movable reflector for a light bulb shown in a first position within a light bulb, showing my new design;

(22) Filed: **Nov. 6, 2018**

FIG. 2 shows the movable reflector for a light bulb in a second position, which is to the left of the first position;

(51) **LOC (13) Cl.** **26-04**

FIG. 3 shows the movable reflector for a light bulb in a third position, which is to the left of the second position;

(52) **U.S. Cl.**

USPC **D26/2**

FIG. 4 shows the movable reflector for a light bulb in a fourth position, which is to the left of the third position;

(58) **Field of Classification Search**

USPC D26/1-10

CPC H01R 5/00; H01R 13/46; H01R 13/514;

H01R 31/048; H01R 31/02; H01J 5/00;

H01J 5/16; H01J 1/02; H01J 15/00; H01J

5/48; H01J 5/50; H01J 19/54; F21V 5/00;

F21K 9/00; F21K 13/00

FIG. 5 shows the movable reflector for a light bulb in a fifth position, which is to the left of the fourth position; and, FIG. 6 shows the movable reflector for a light bulb in a sixth position, which is to the left of the fifth position.

See application file for complete search history.

As shown in the figures, the movable reflector for a light bulb can move from the right to the left. The reflector can move to nearly any position within a bulb housing. The drawings are not meant as limitations on the positions of the reflector within a bulb, as the positions of the reflector within a bulb are not exhaustive.

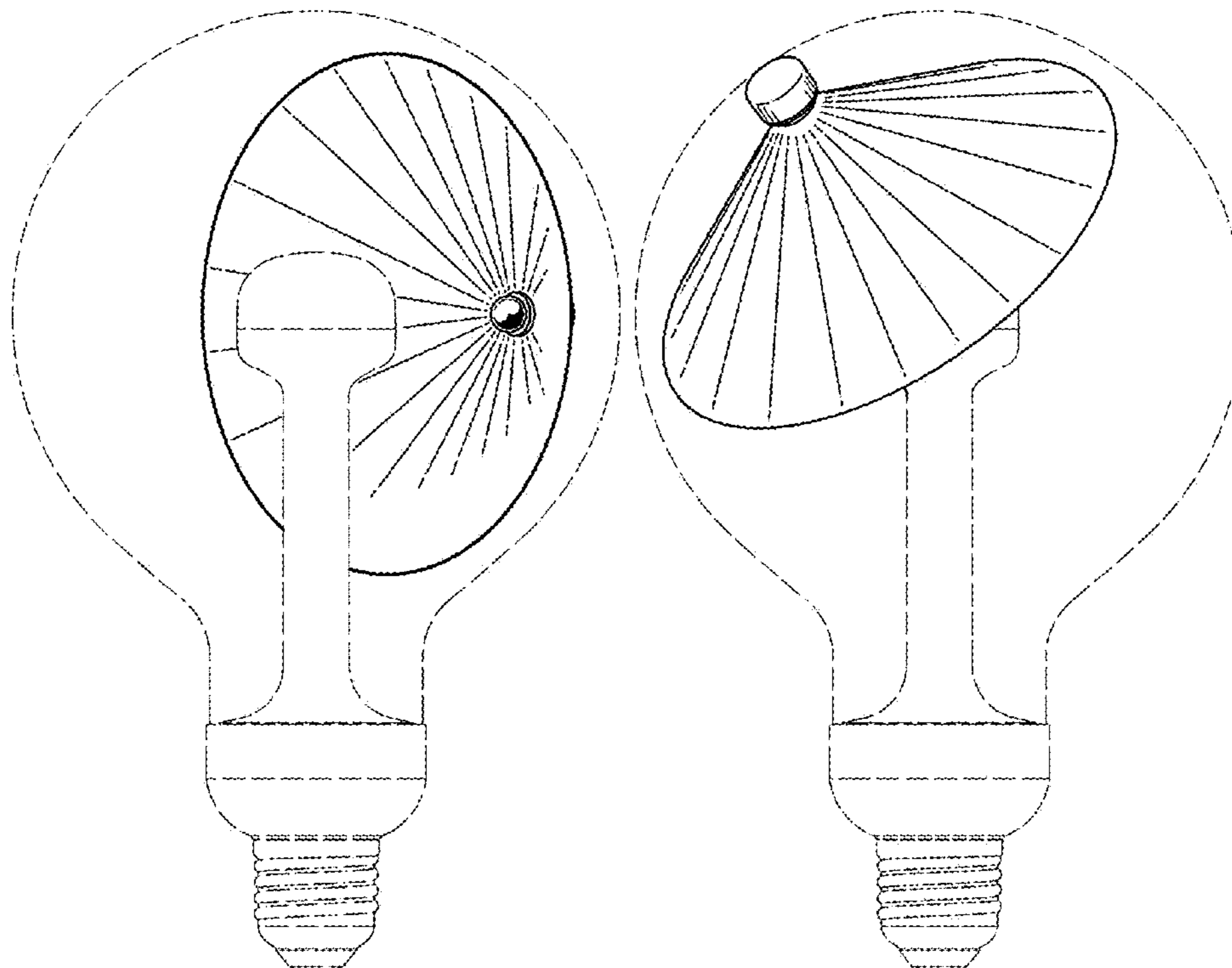
(56) **References Cited**

The broken line showing on the drawing disclosure is for illustrative purposes only and forms no part of the claimed design.

U.S. PATENT DOCUMENTS

D530,836 S * 10/2006 Johnson D26/2

1 Claim, 6 Drawing Sheets



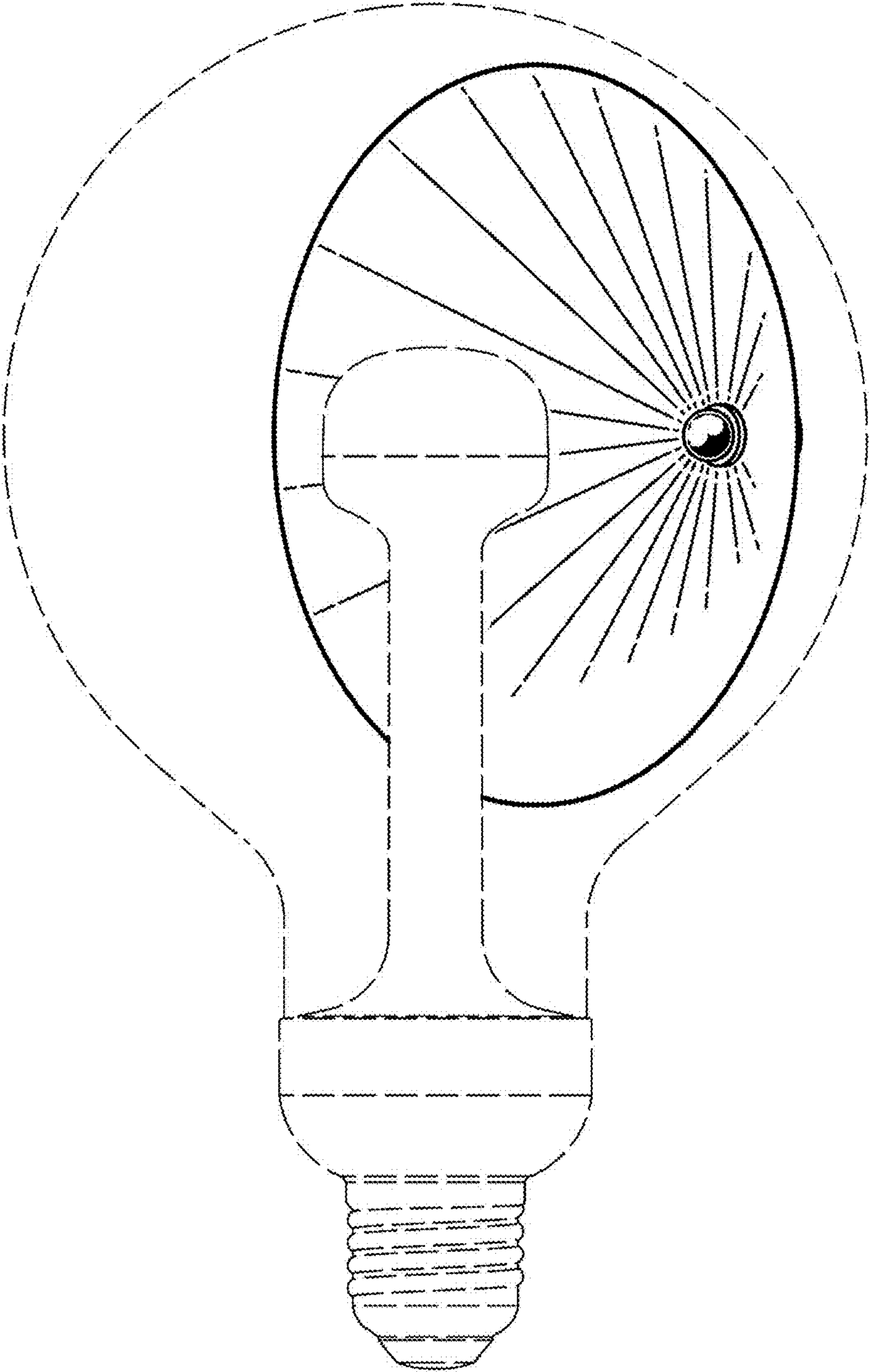


FIG. 1

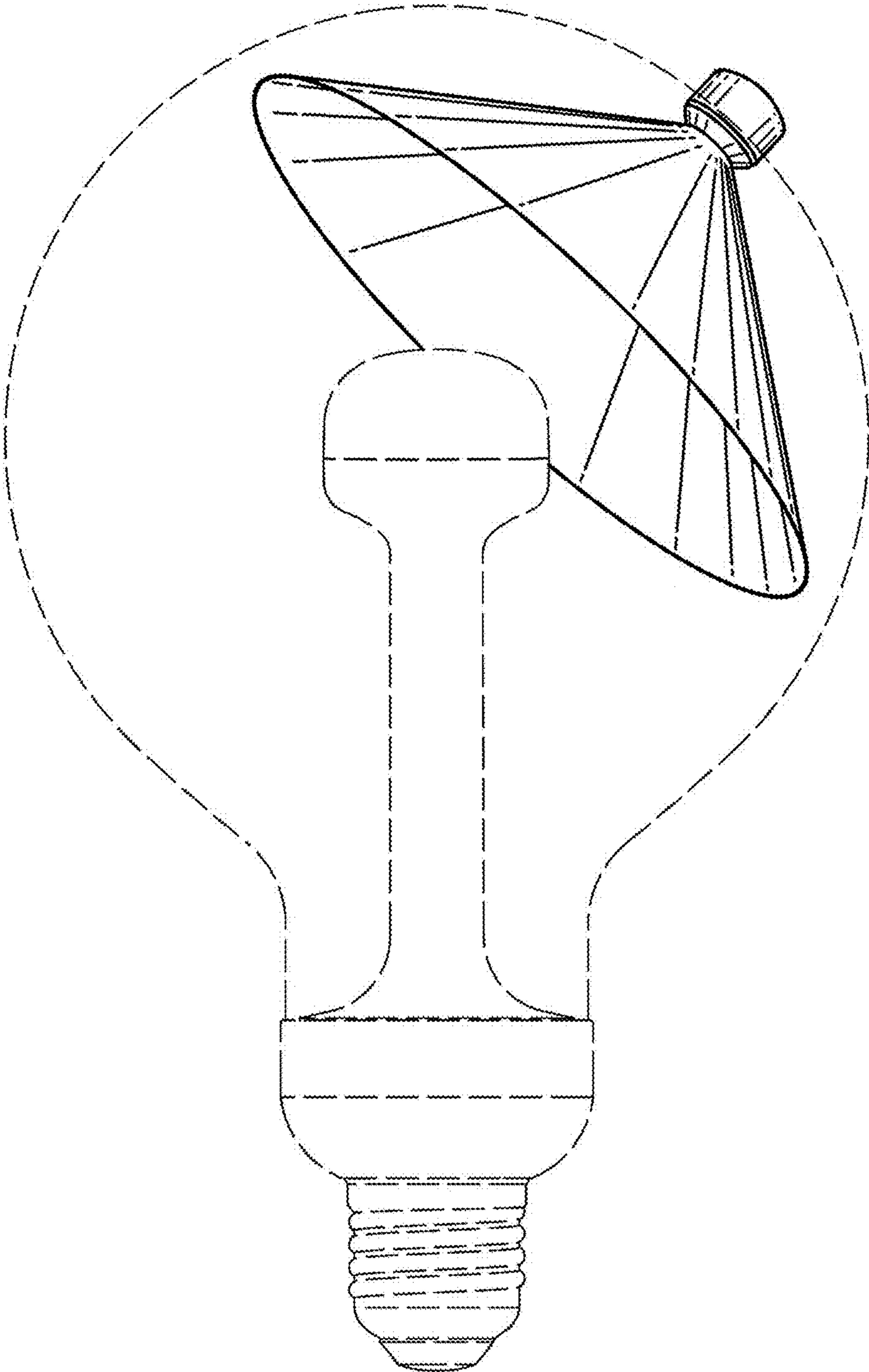


FIG. 2

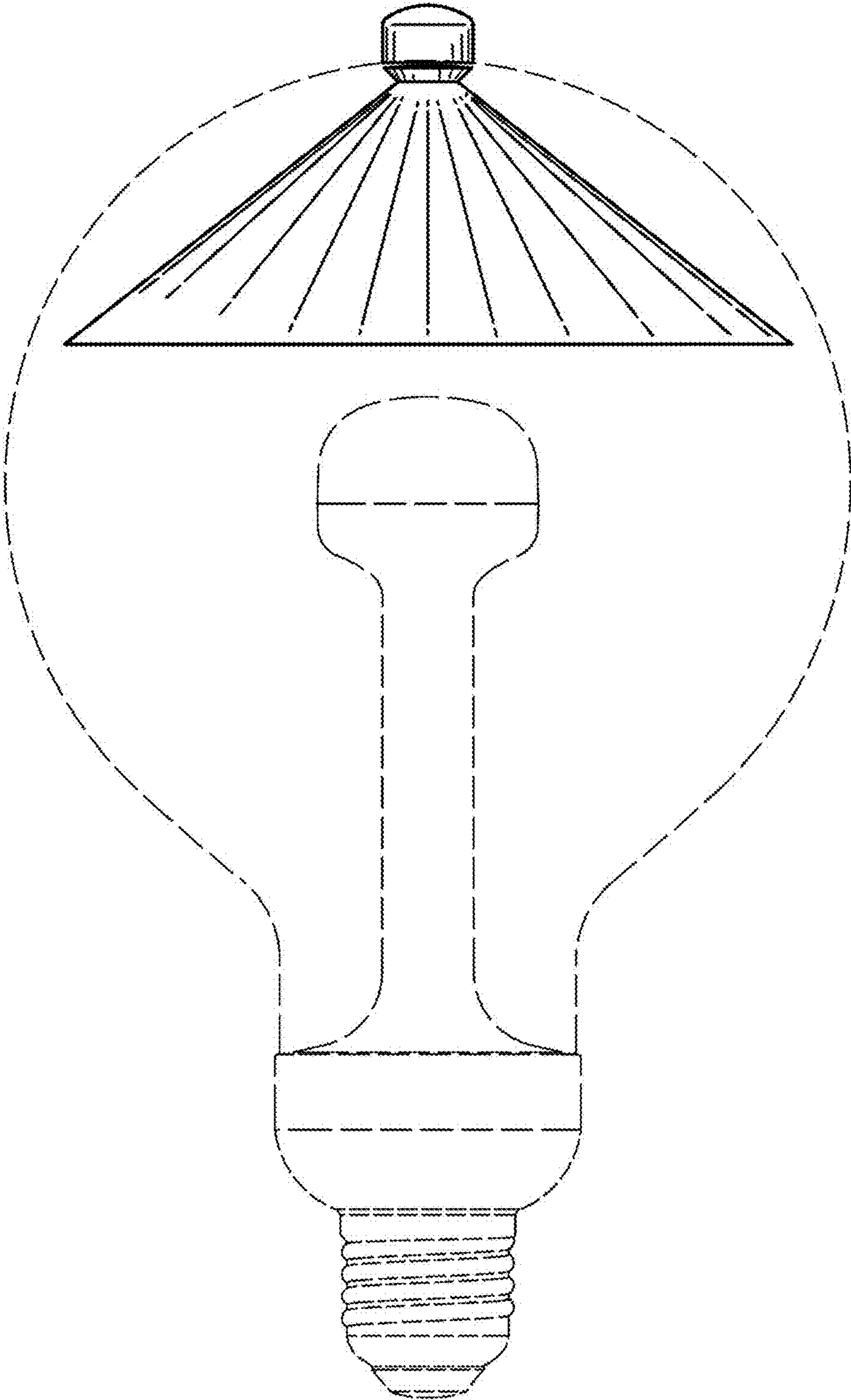


FIG. 3

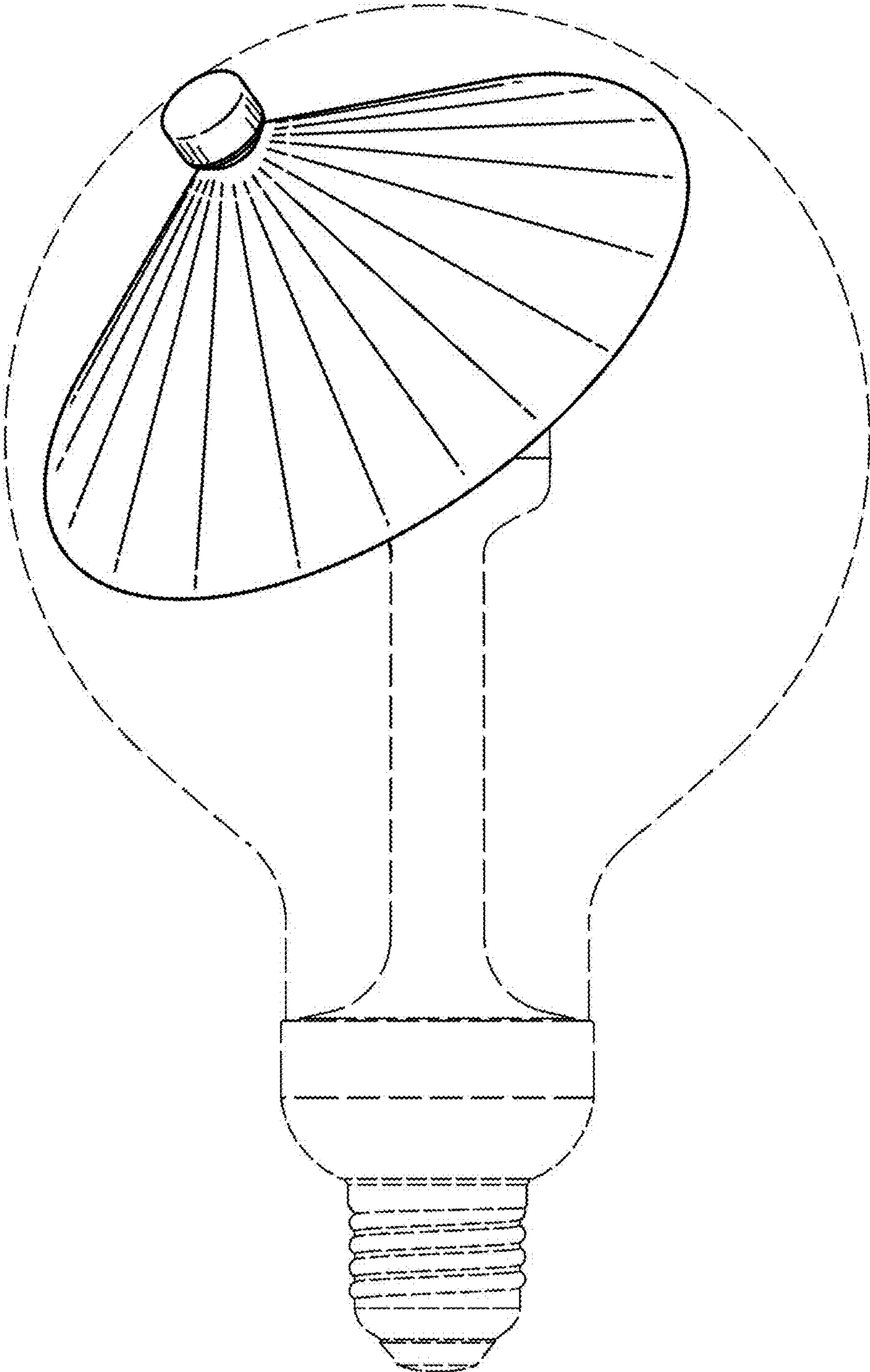


FIG. 4

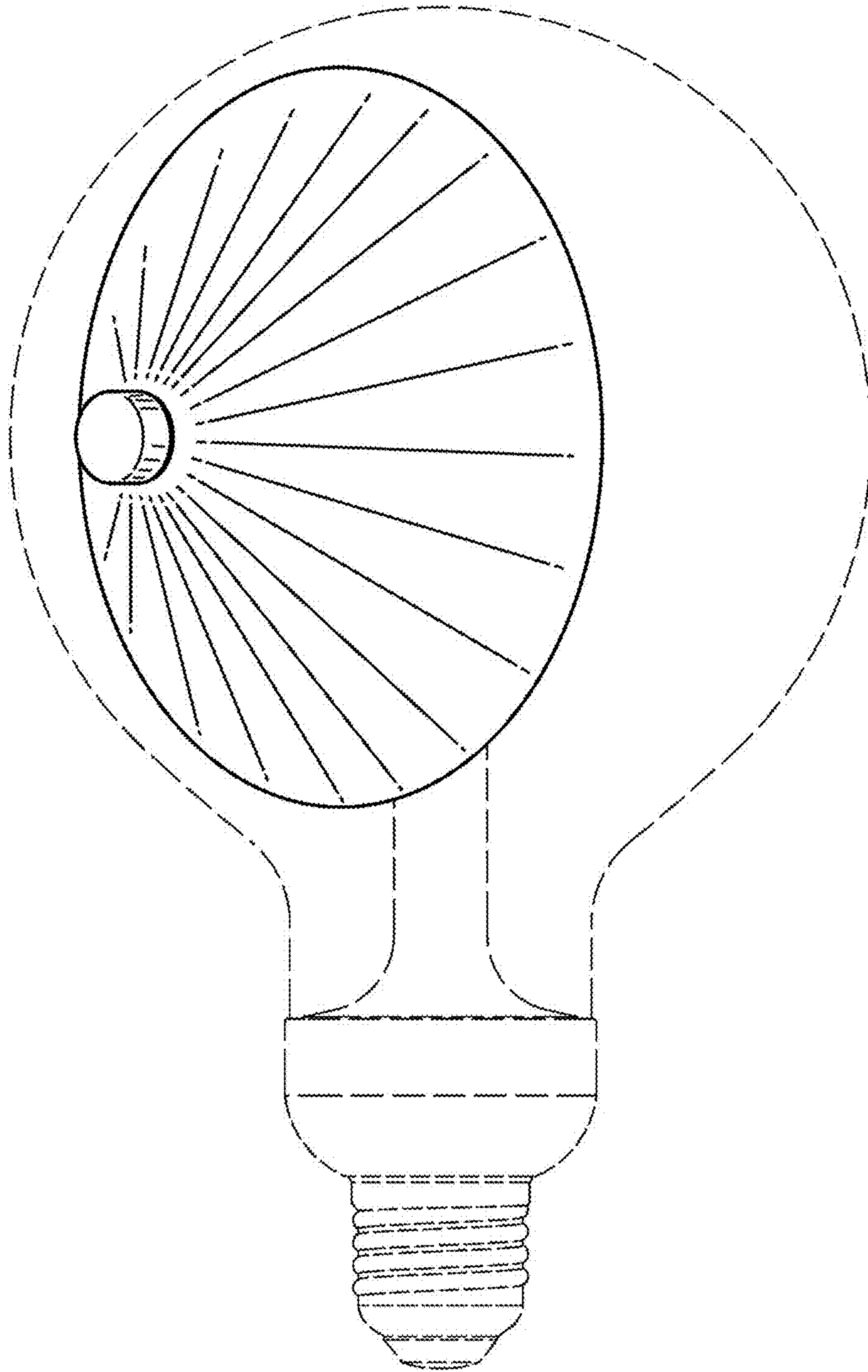


FIG. 5

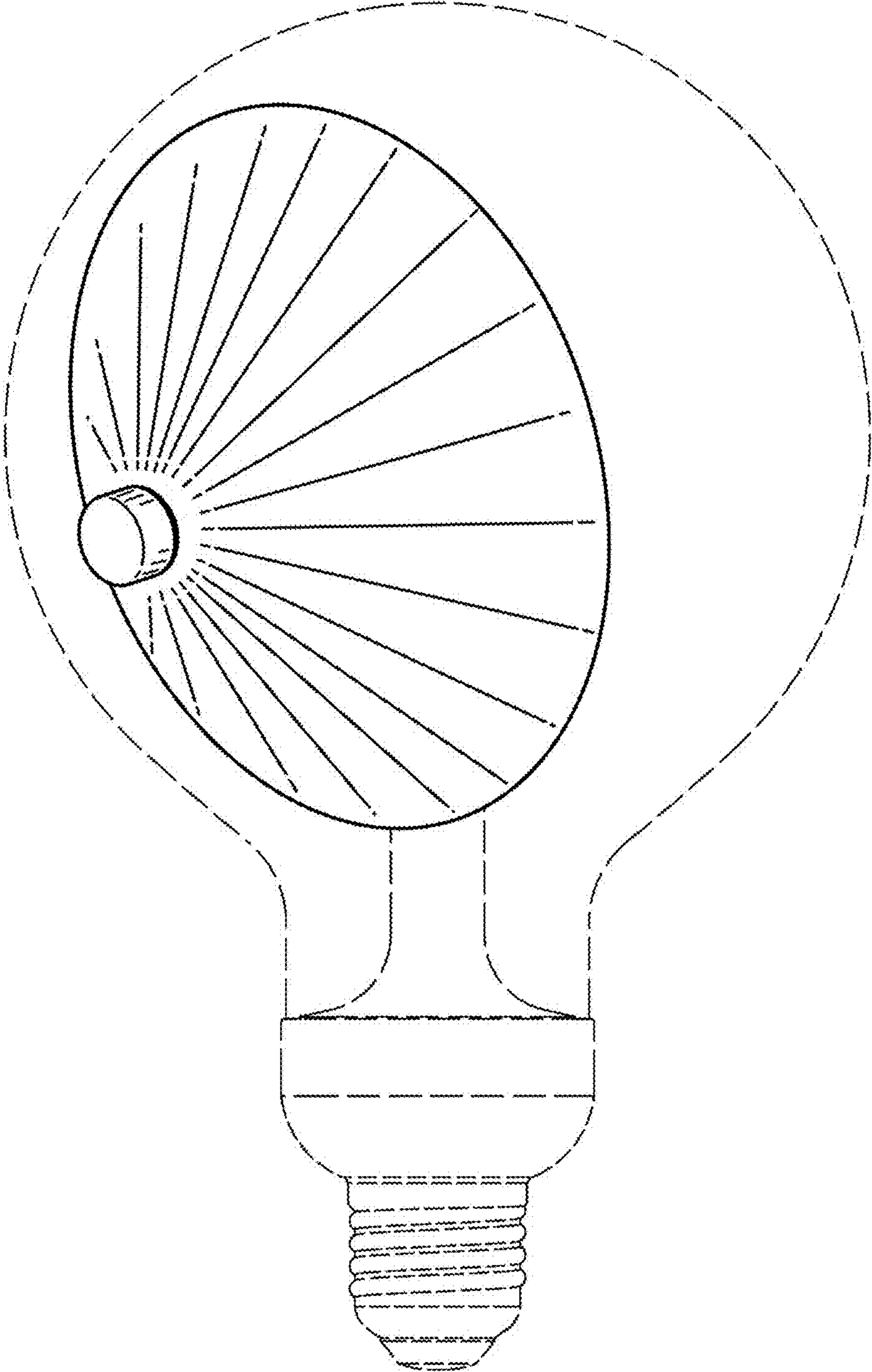


FIG. 6