



US00D908930S

(12) **United States Design Patent**  
**Zulauf**

(10) **Patent No.:** **US D908,930 S**

(45) **Date of Patent:** **\*\* Jan. 26, 2021**

(54) **MOVABLE REFLECTOR FOR A LIGHT BULB**

(71) Applicant: **Besselink Licht Import B.V.**

(72) Inventor: **Patrick Nicole Zulauf, Basel (CH)**

(73) Assignee: **Besselink Licht Import B.V., Duiven (NL)**

(\*\*) Term: **15 Years**

(21) Appl. No.: **29/669,188**

(22) Filed: **Nov. 6, 2018**

(30) **Foreign Application Priority Data**

Oct. 31, 2018 (EM) ..... 005813649

(51) **LOC (13) Cl.** ..... **26-04**

(52) **U.S. Cl.**  
USPC ..... **D26/2**

(58) **Field of Classification Search**

USPC ..... D26/1-10

CPC ..... H01R 5/00; H01R 13/46; H01R 13/514;  
H01R 31/048; H01R 31/02; H01J 5/00;  
H01J 5/16; H01J 1/02; H01J 15/00; H01J  
5/48; H01J 5/50; H01J 19/54; F21V 5/00;  
F21K 9/00; F21K 13/00

See application file for complete search history.

(56) **References Cited**

**U.S. PATENT DOCUMENTS**

D530,836 S \* 10/2006 Johnson ..... D26/2

D545,457 S \* 6/2007 Chen ..... D26/2

D582,062 S \* 12/2008 Van de Poel ..... D26/2

\* cited by examiner

*Primary Examiner* — Marcus A Jackson

(74) *Attorney, Agent, or Firm* — Kilpatrick Townsend & Stockton LLP

(57) **CLAIM**

The ornamental design for a movable reflector for a light bulb, as shown and described.

**DESCRIPTION**

FIG. 1 is a top perspective view of a movable reflector for a light bulb shown in a first position within a light bulb, showing my new design;

FIG. 2 shows the movable reflector for a light bulb in a second position, which is to the left of the first position;

FIG. 3 shows the movable reflector for a light bulb in a third position, which is to the left of the second position;

FIG. 4 shows the movable reflector for a light bulb in a fourth position, which is to the left of the third position;

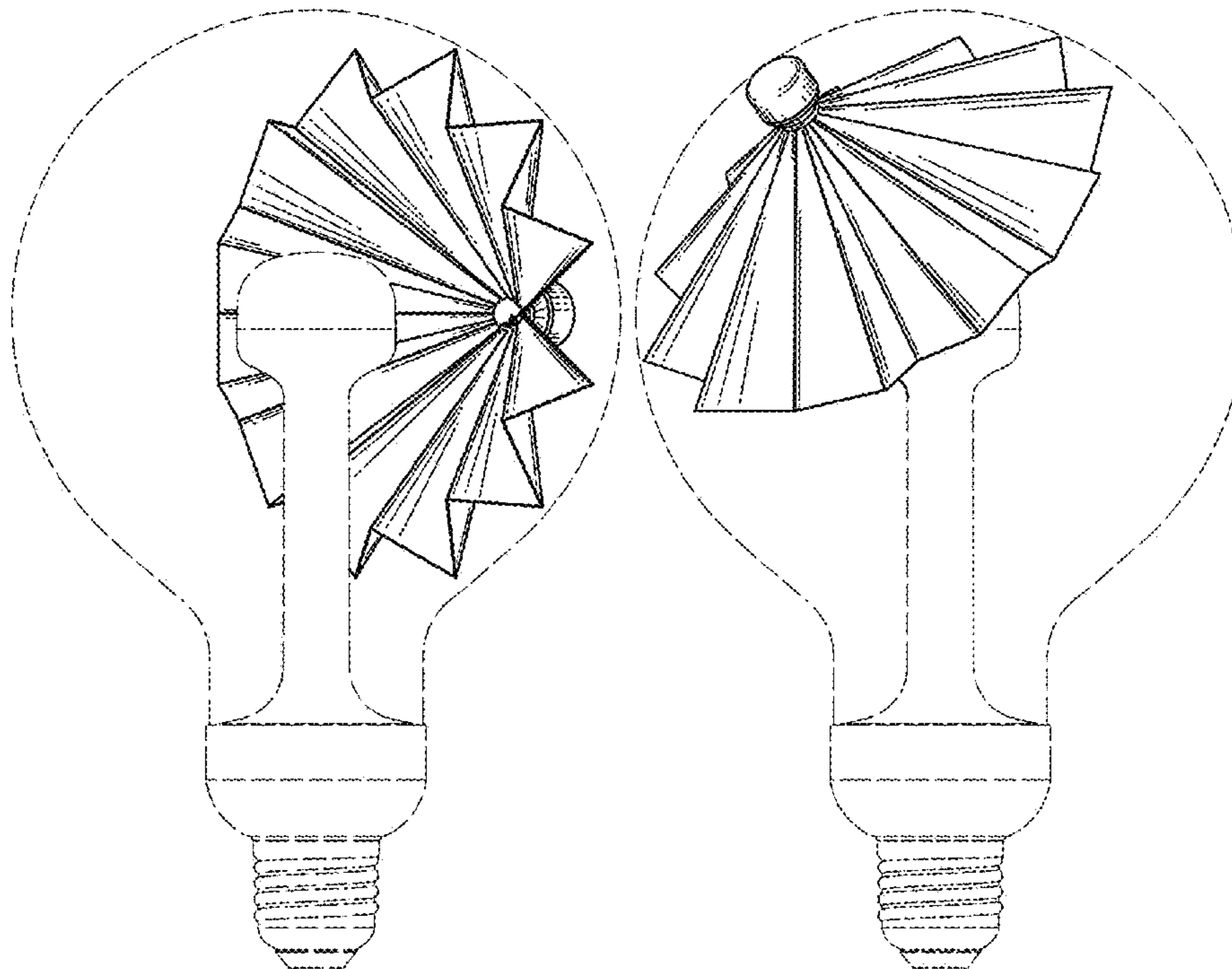
FIG. 5 shows the movable reflector for a light bulb in a fifth position, which is to the left of the fourth position; and,

FIG. 6 shows the movable reflector for a light bulb in a sixth position, which is to the left of the fifth position.

As shown in the figures, the movable reflector for a light bulb can move from the right to the left. The reflector can move to nearly any position within a bulb housing. The drawings are not meant as limitations on the positions of the reflector within a bulb, as the positions of the reflector within a bulb are not exhaustive.

The broken line showing on the drawing disclosure is for illustrative purposes only and forms no part of the claimed design.

**1 Claim, 6 Drawing Sheets**



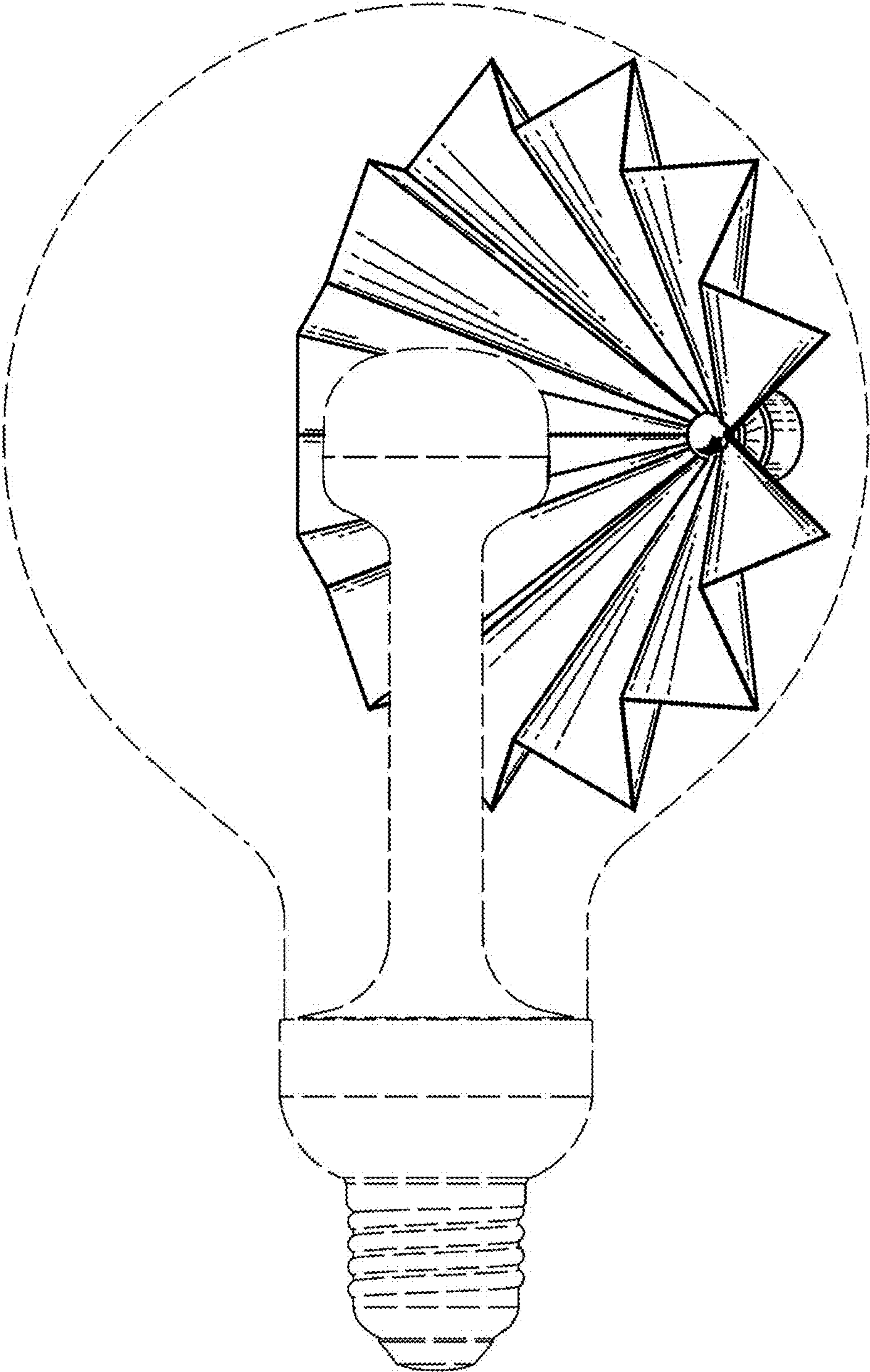


FIG. 1

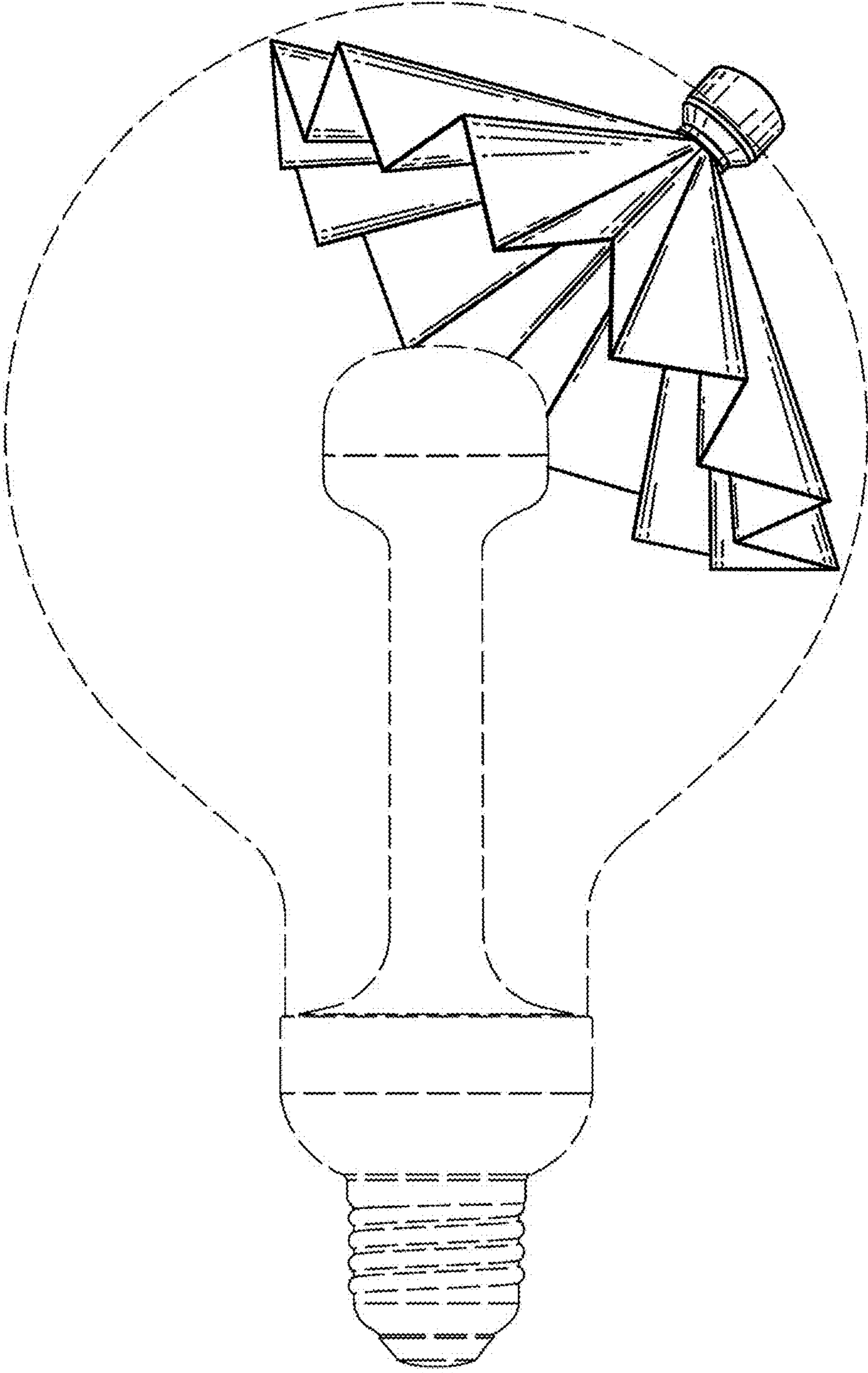


FIG. 2

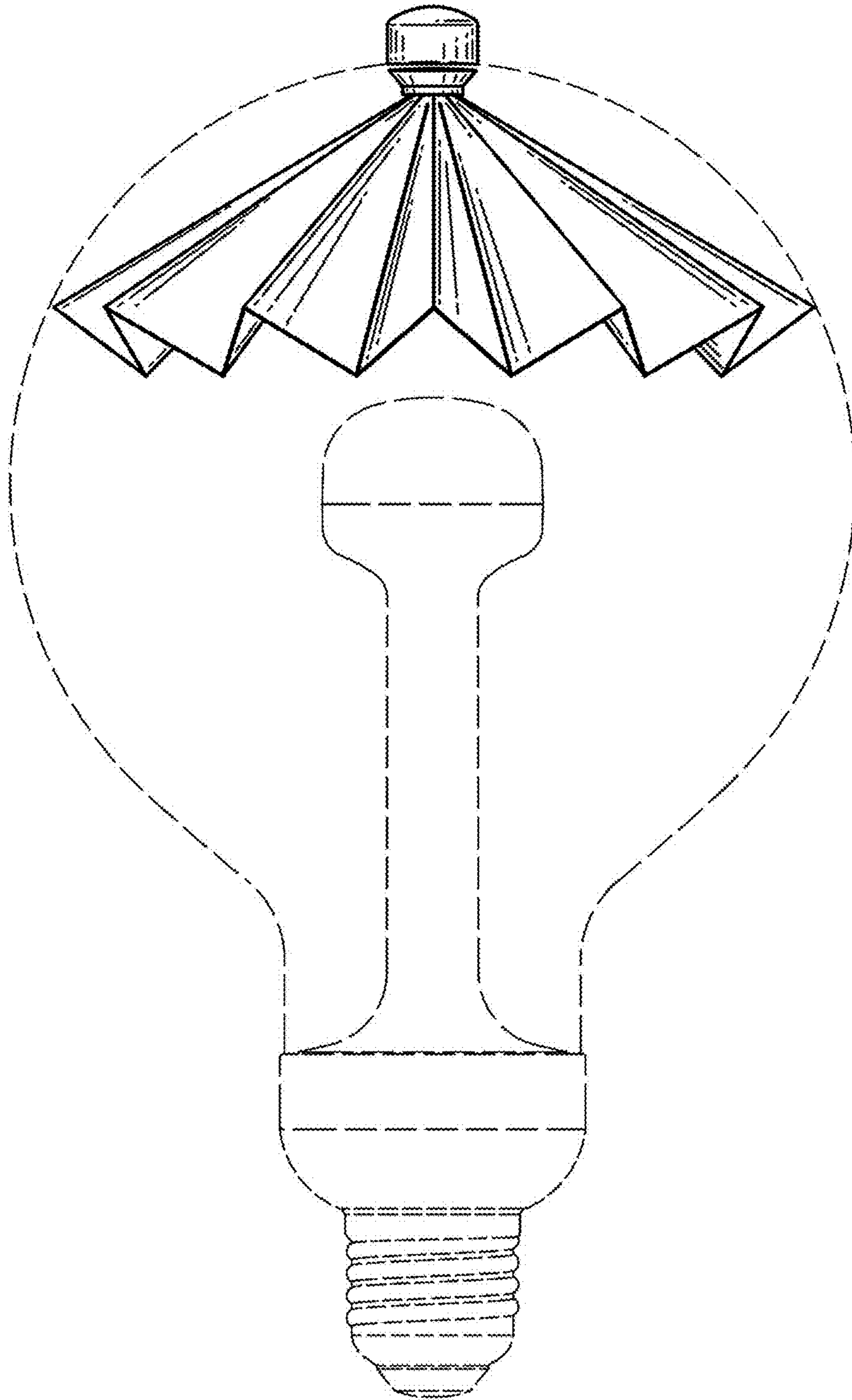


FIG. 3

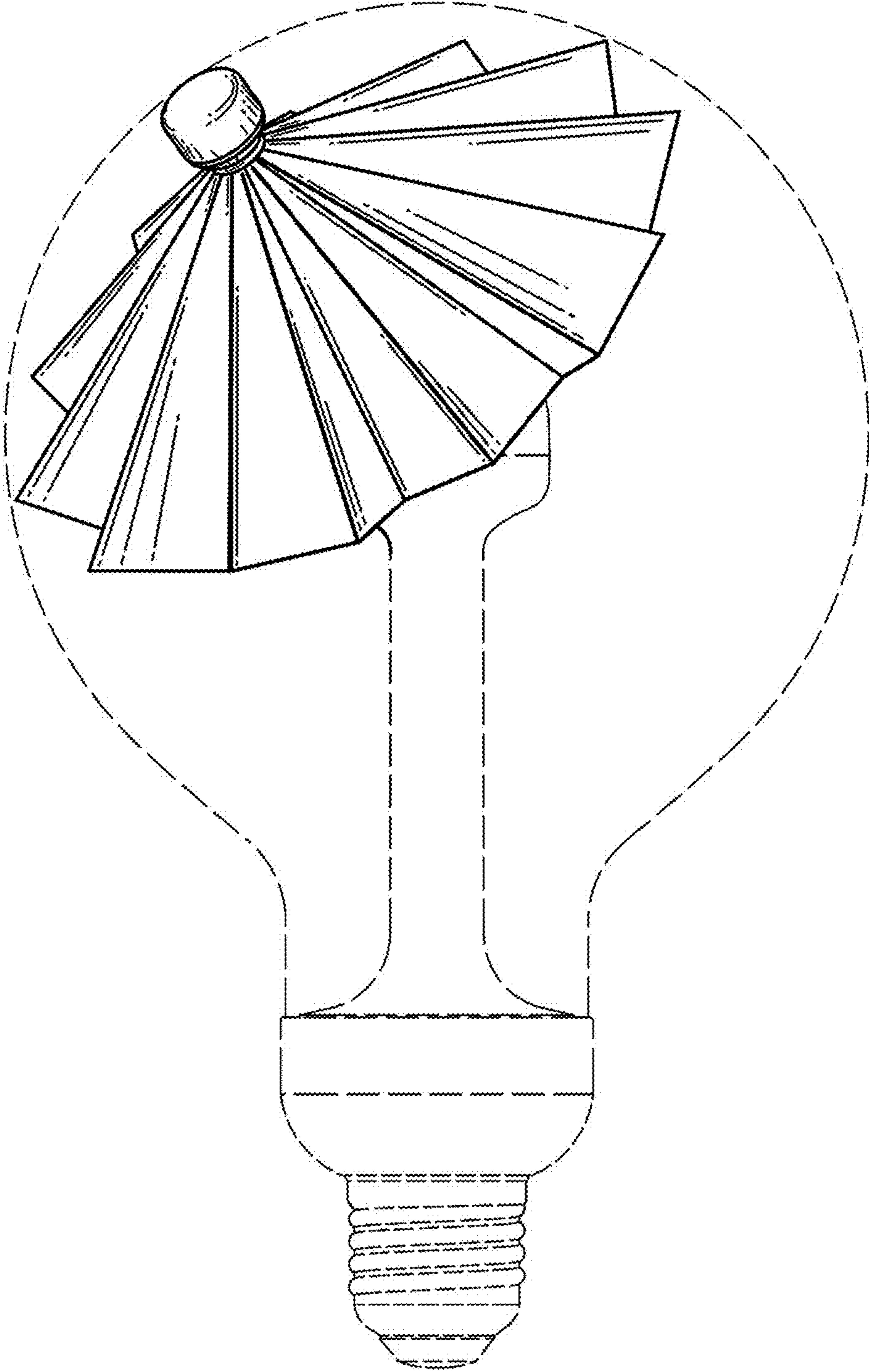


FIG. 4

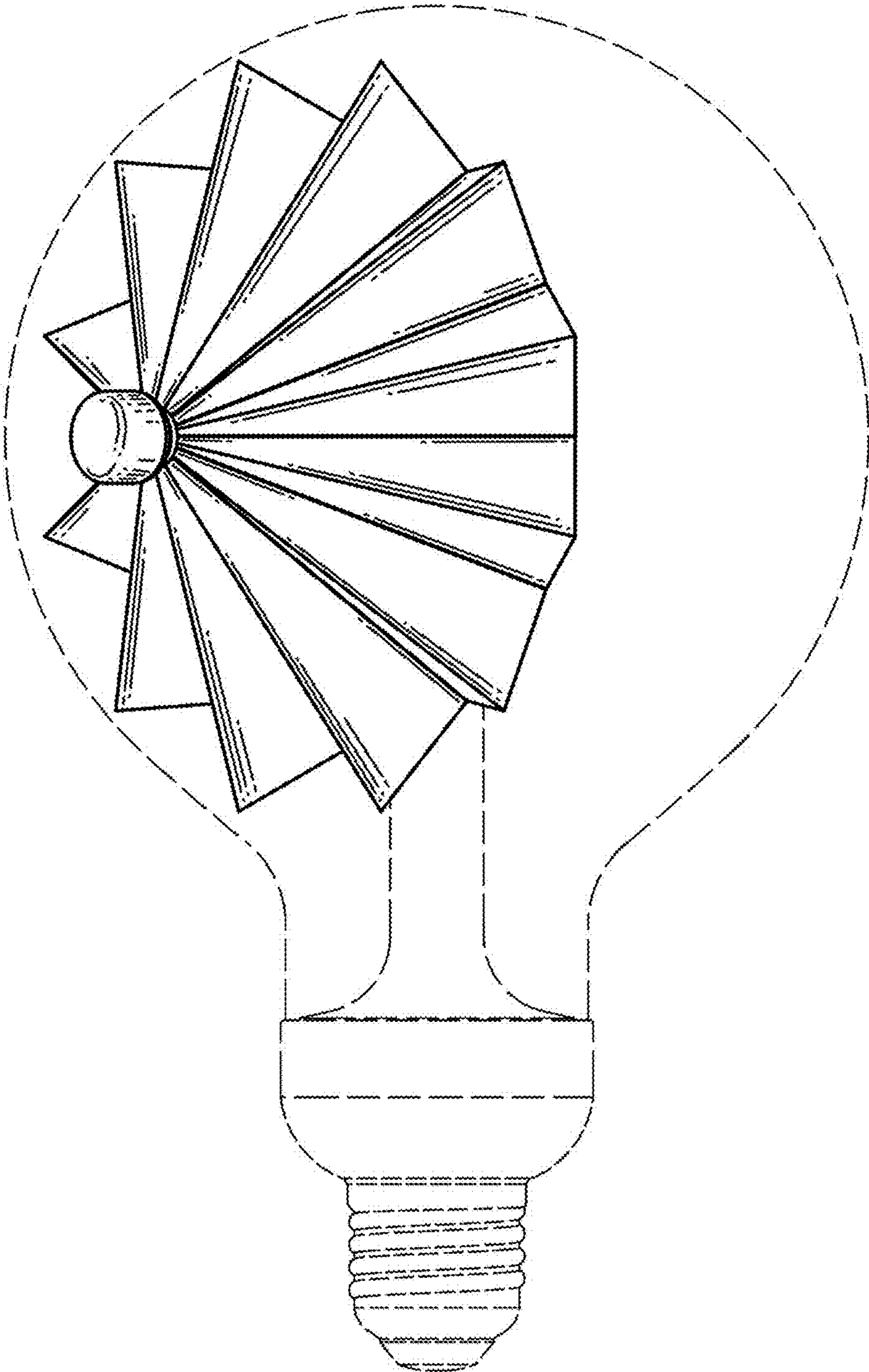


FIG. 5

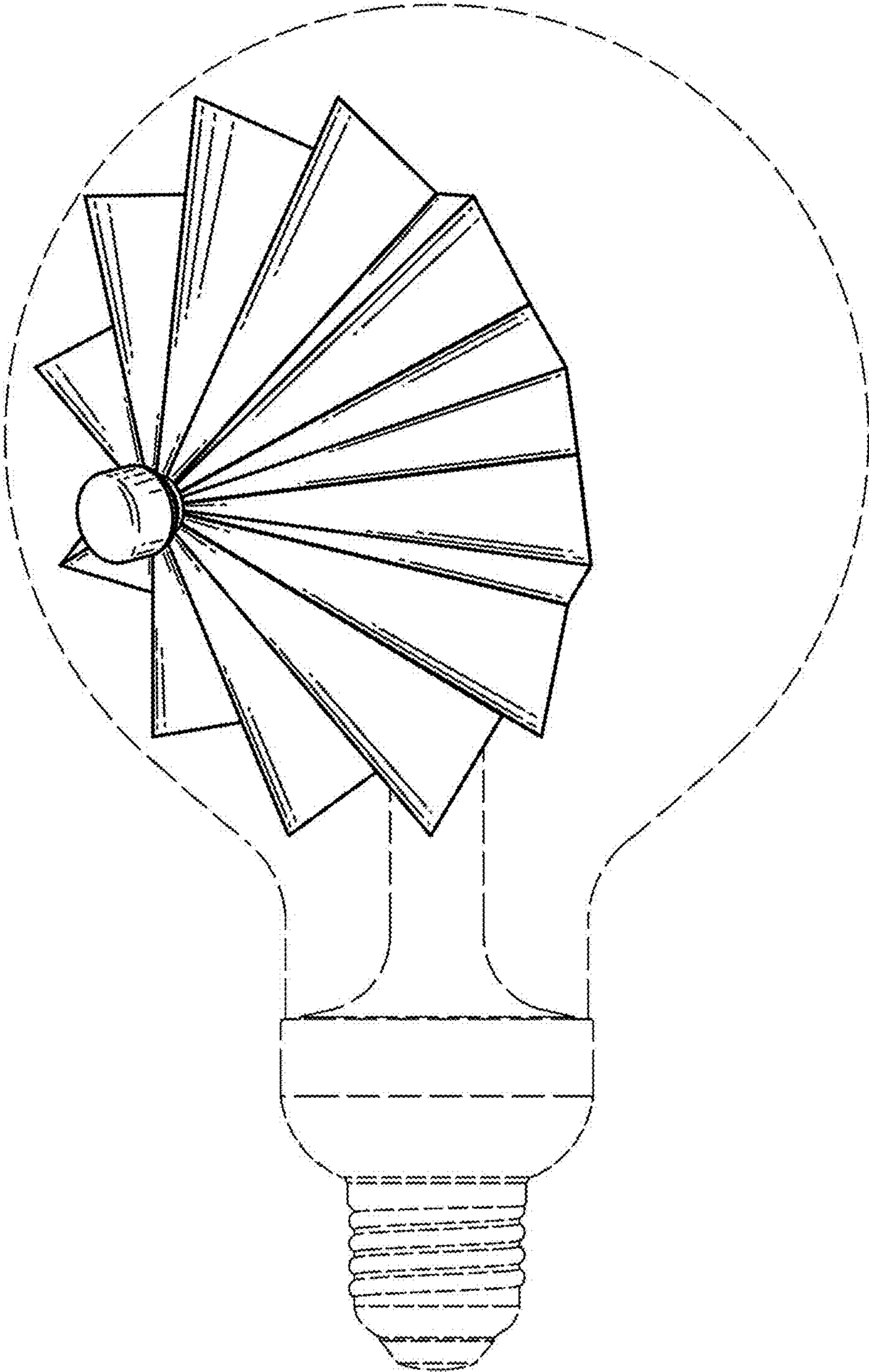


FIG. 6