



US00D908927S

(12) **United States Design Patent**
Vaillant et al.

(10) **Patent No.:** **US D908,927 S**
(45) **Date of Patent:** **** Jan. 26, 2021**

- (54) **ROOFING TILE**
- (71) Applicant: **ONDULINE**, Suresnes (FR)
- (72) Inventors: **Alexandre Vaillant**, Pavilly (FR);
Wahyu Peryanto Siahaan, East Jakarta (ID)
- (73) Assignee: **ONDULINE**, Suresnes (FR)
- (**) Term: **15 Years**
- (21) Appl. No.: **29/695,327**
- (22) Filed: **Jun. 18, 2019**
- (30) **Foreign Application Priority Data**
Apr. 15, 2019 (EM) 006379590-0001
- (51) **LOC (13) Cl.** **25-01**
- (52) **U.S. Cl.**
USPC **D25/143**
- (58) **Field of Classification Search**
USPC D25/141, 143
CPC .. E04D 1/34; E04D 1/265; E04D 1/00; E04D
3/24; E04D 3/30
See application file for complete search history.

9,951,522 B2 * 4/2018 Chabas E04D 3/30
10,167,636 B2 * 1/2019 Rohart E04D 3/24
10,270,382 B2 * 4/2019 Vignal H02S 30/00

* cited by examiner

Primary Examiner — Doris Clark
(74) *Attorney, Agent, or Firm* — Bryan D. Zerhusen,
Esq.; Nicholas R. Herrel, Esq.; Cantor Colburn LLP

(57) **CLAIM**

We claim the ornamental design for a roofing tile, as shown and described.

DESCRIPTION

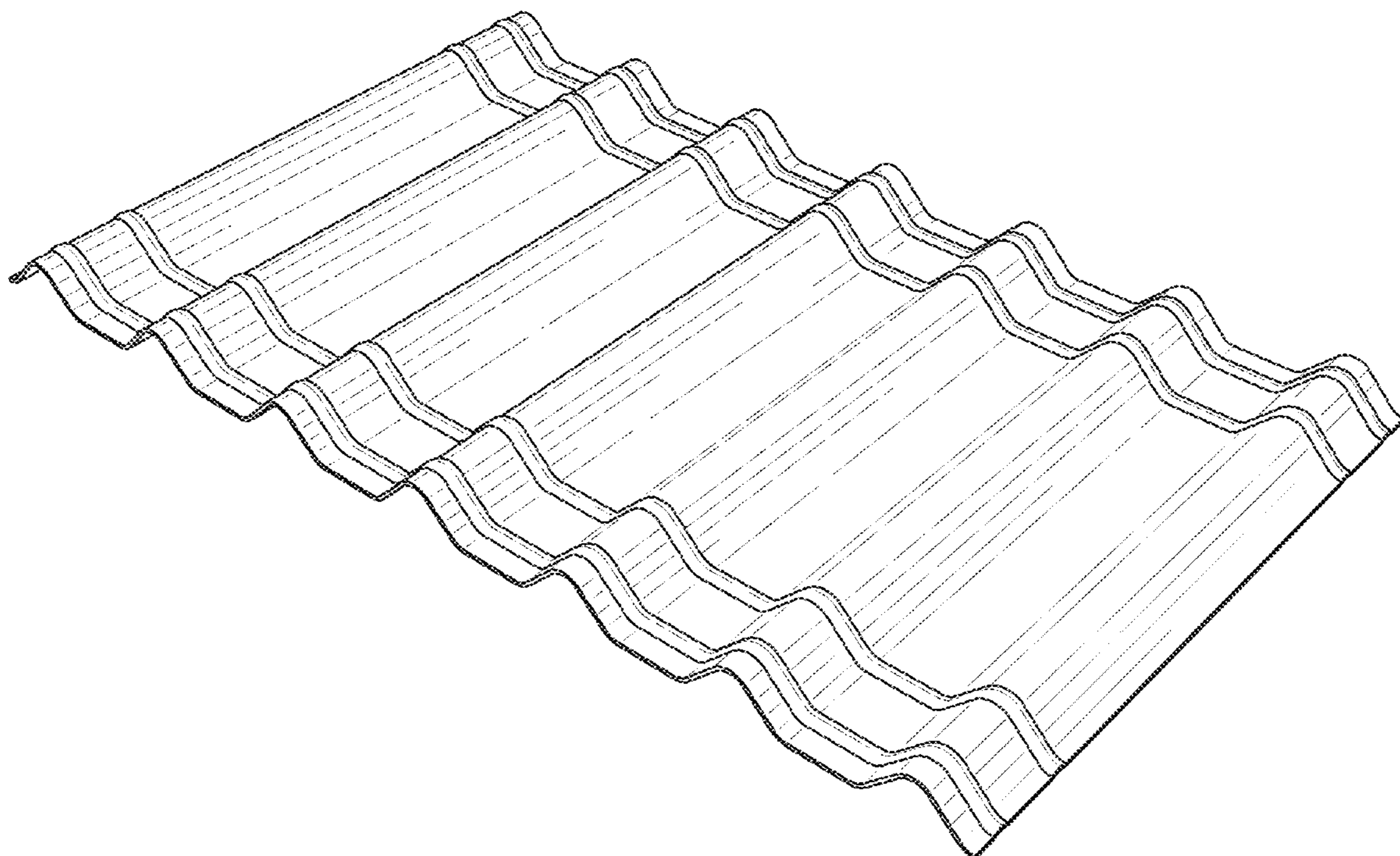
FIG. 1 is a front top perspective view of a first embodiment of the design of a roofing tile;
FIG. 2 is a front elevational view of the design of FIG. 1, the rear being identical thereto;
FIG. 3 is a side view of the design of FIG. 1;
FIG. 4 is a top plan view of the design of FIG. 1;
FIG. 5 is a bottom plan view of the design of FIG. 1; and
FIG. 6 is an enlarged, detail view of a portion of the design of FIG. 1.
FIG. 7 is a front top perspective view of a second embodiment of the design of a roofing tile, wherein the stippling represents a color change and the density of the stippling represents a color contrast of the tile;
FIG. 8 is a front elevational view of the design of FIG. 7, the rear being identical thereto;
FIG. 9 is a side view of the design of FIG. 7;
FIG. 10 is a top plan view of the design of FIG. 7;
FIG. 11 is a bottom plan view of the design of FIG. 7; and,
FIG. 12 is an enlarged, detail view of a portion of the design of FIG. 7.

(56) **References Cited**

U.S. PATENT DOCUMENTS

D613,429 S *	4/2010	Knepp	D25/141
D685,112 S *	6/2013	Henriquez	D25/143
D704,862 S *	5/2014	Boccuzzi	D25/141
D710,037 S *	7/2014	Wakebe	D25/143
9,493,953 B2 *	11/2016	Chabowski	E04D 3/363

1 Claim, 8 Drawing Sheets



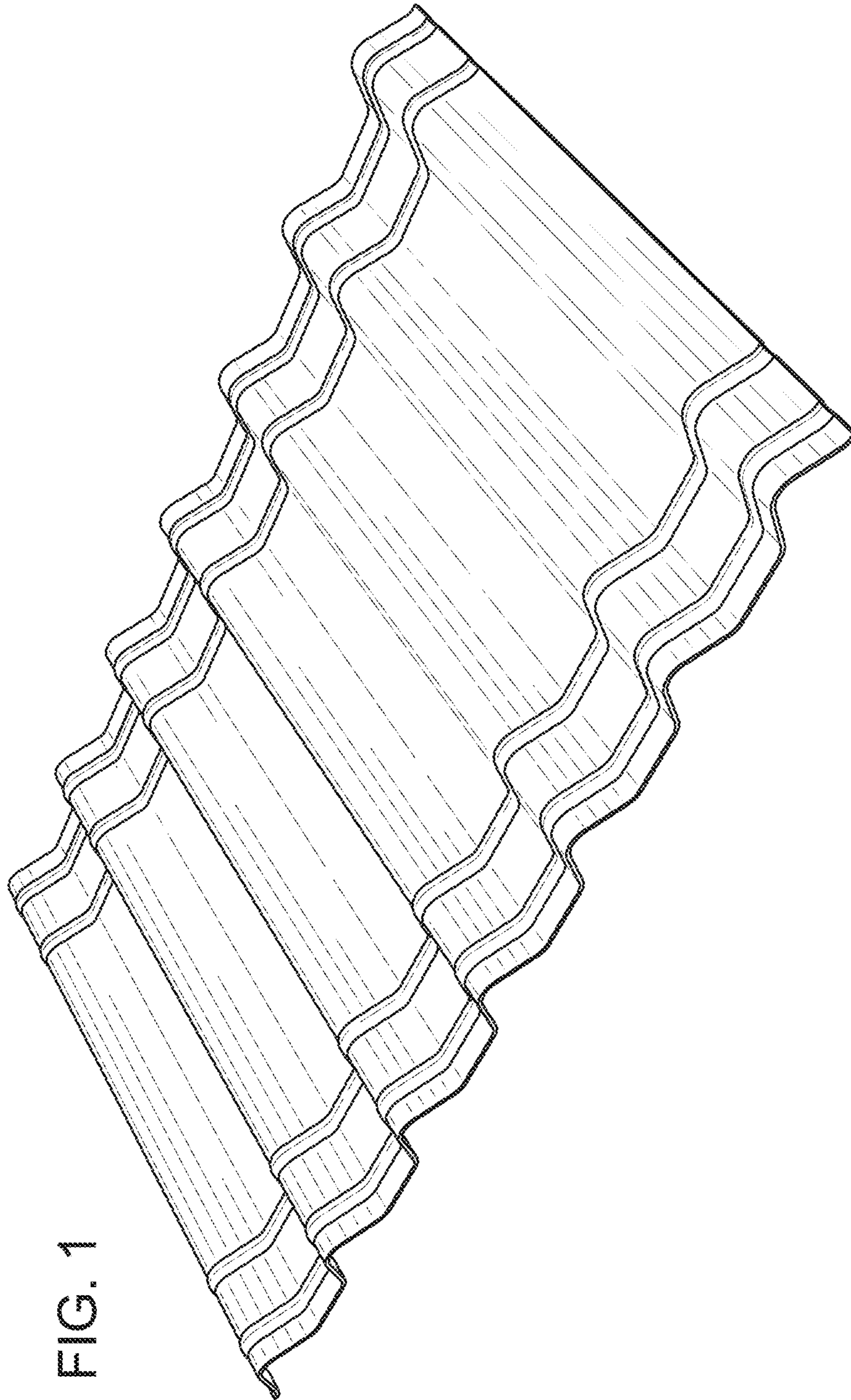


FIG. 1



FIG. 2

FIG. 3

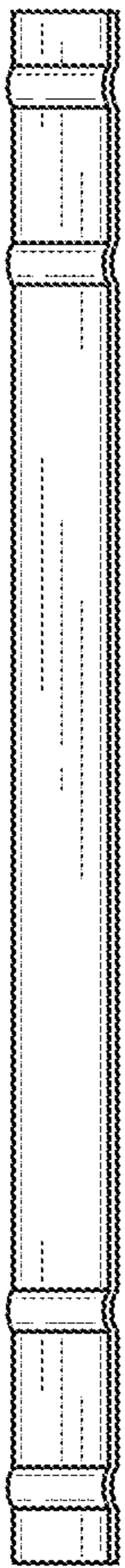


FIG. 4

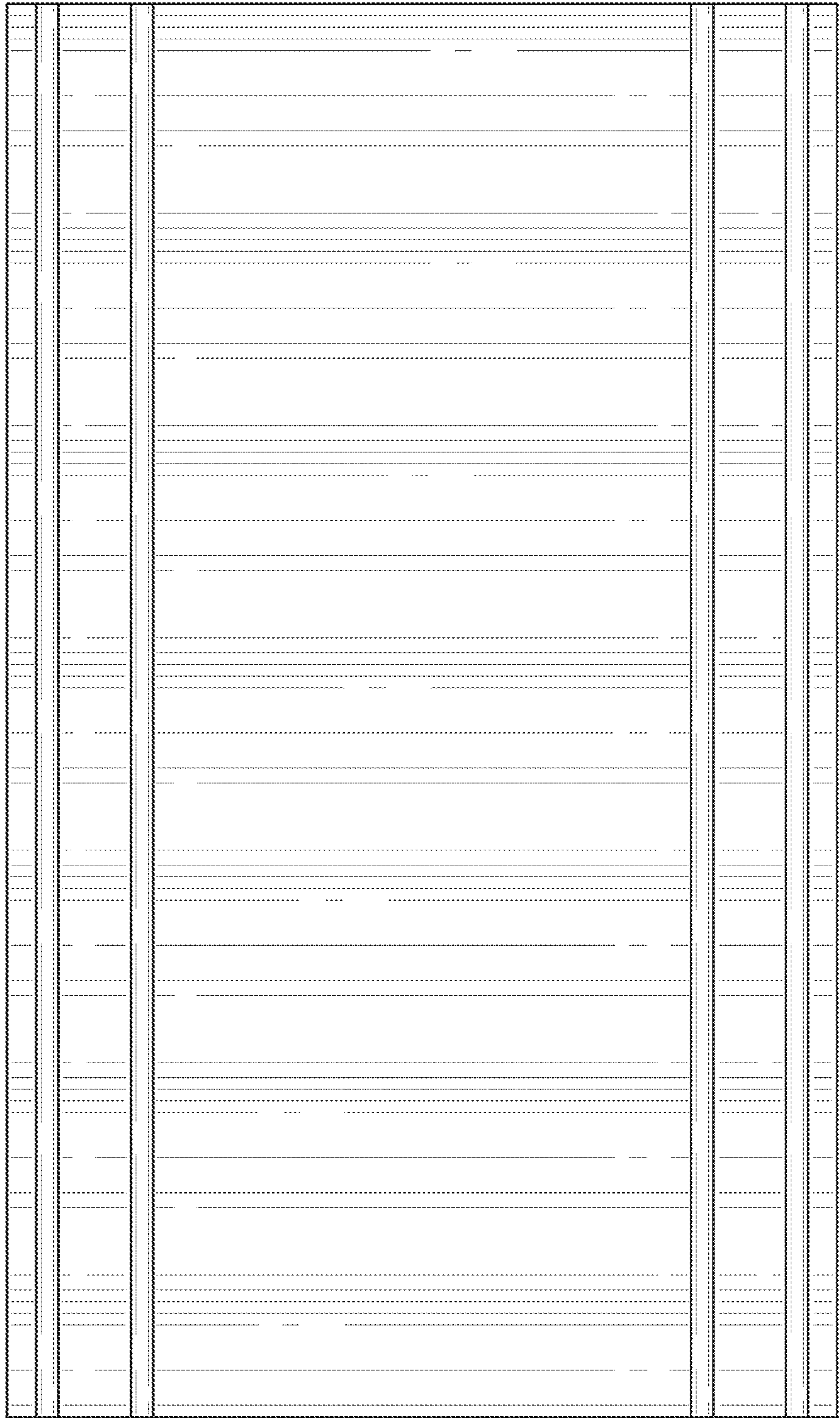


FIG. 5

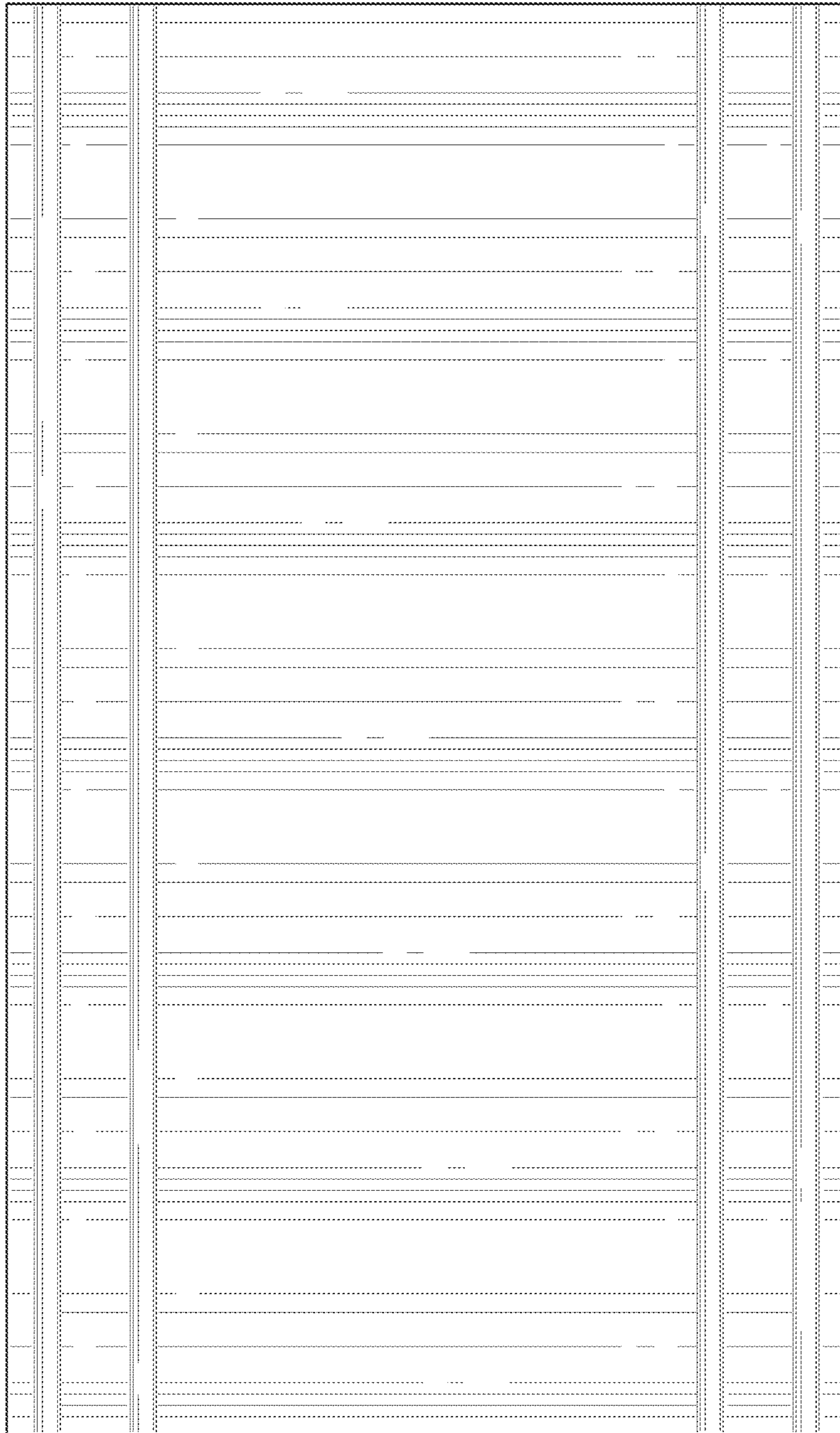
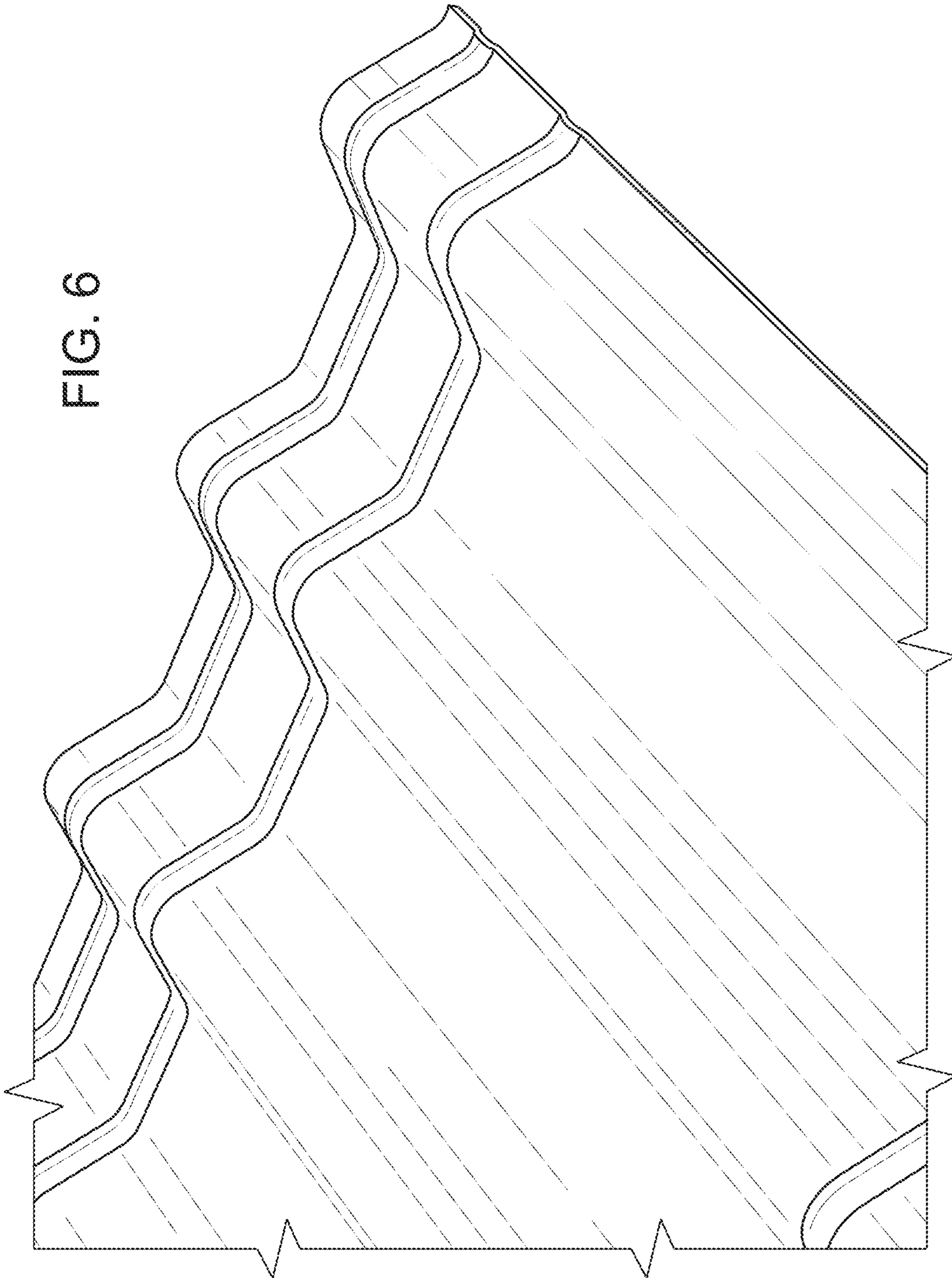


FIG. 6



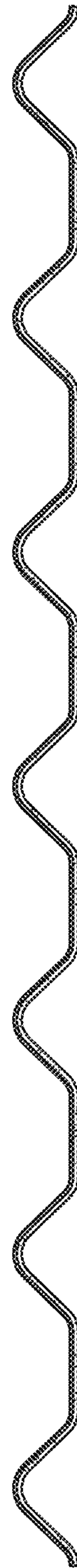
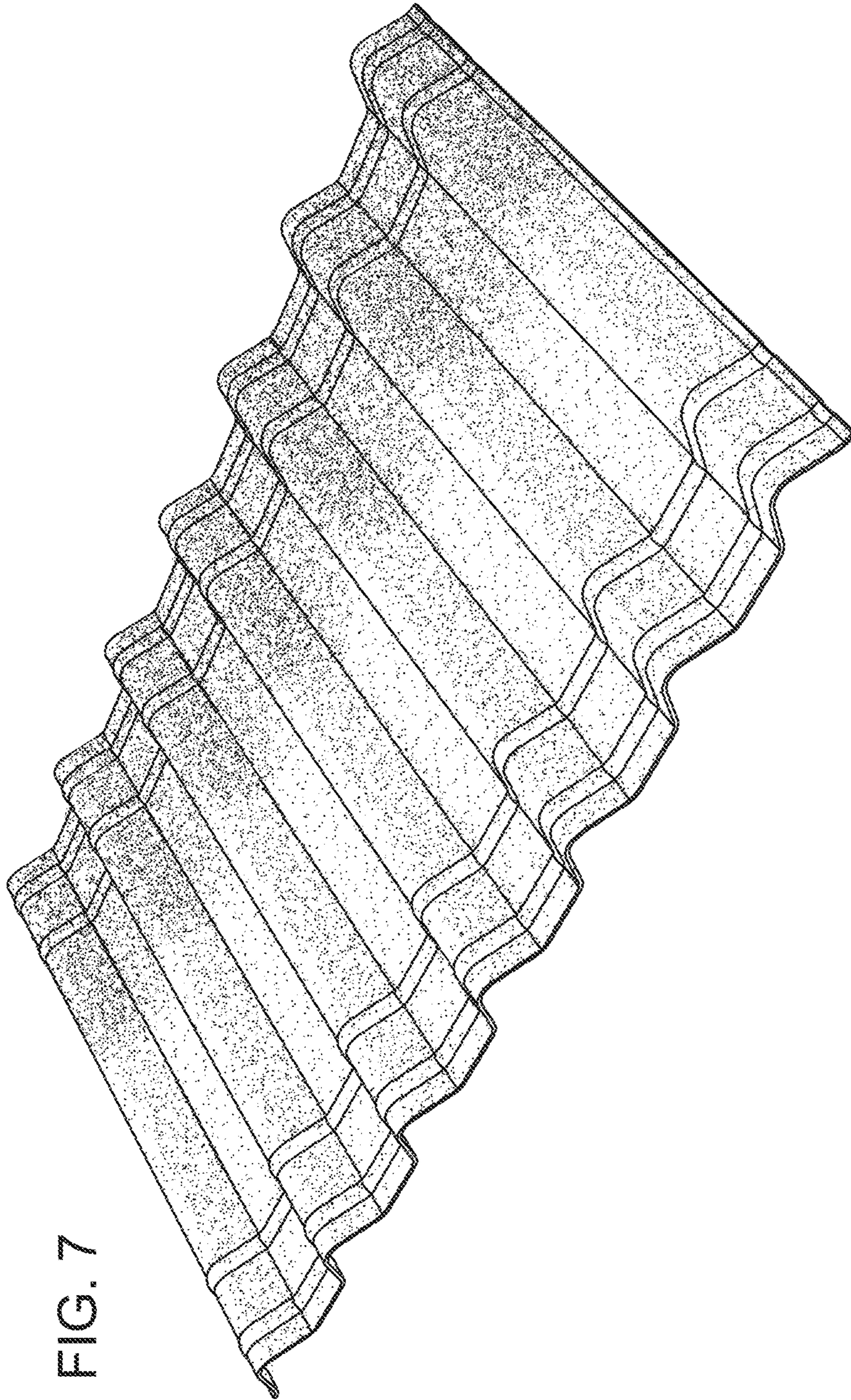


FIG. 9

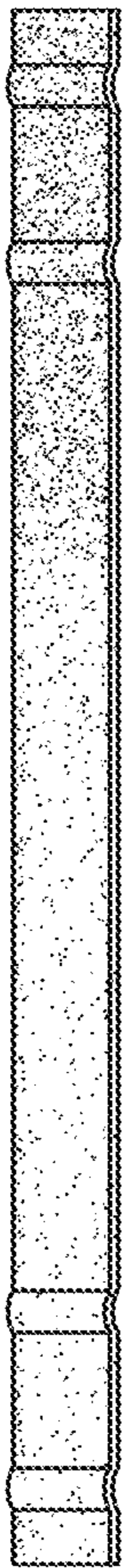


FIG. 10

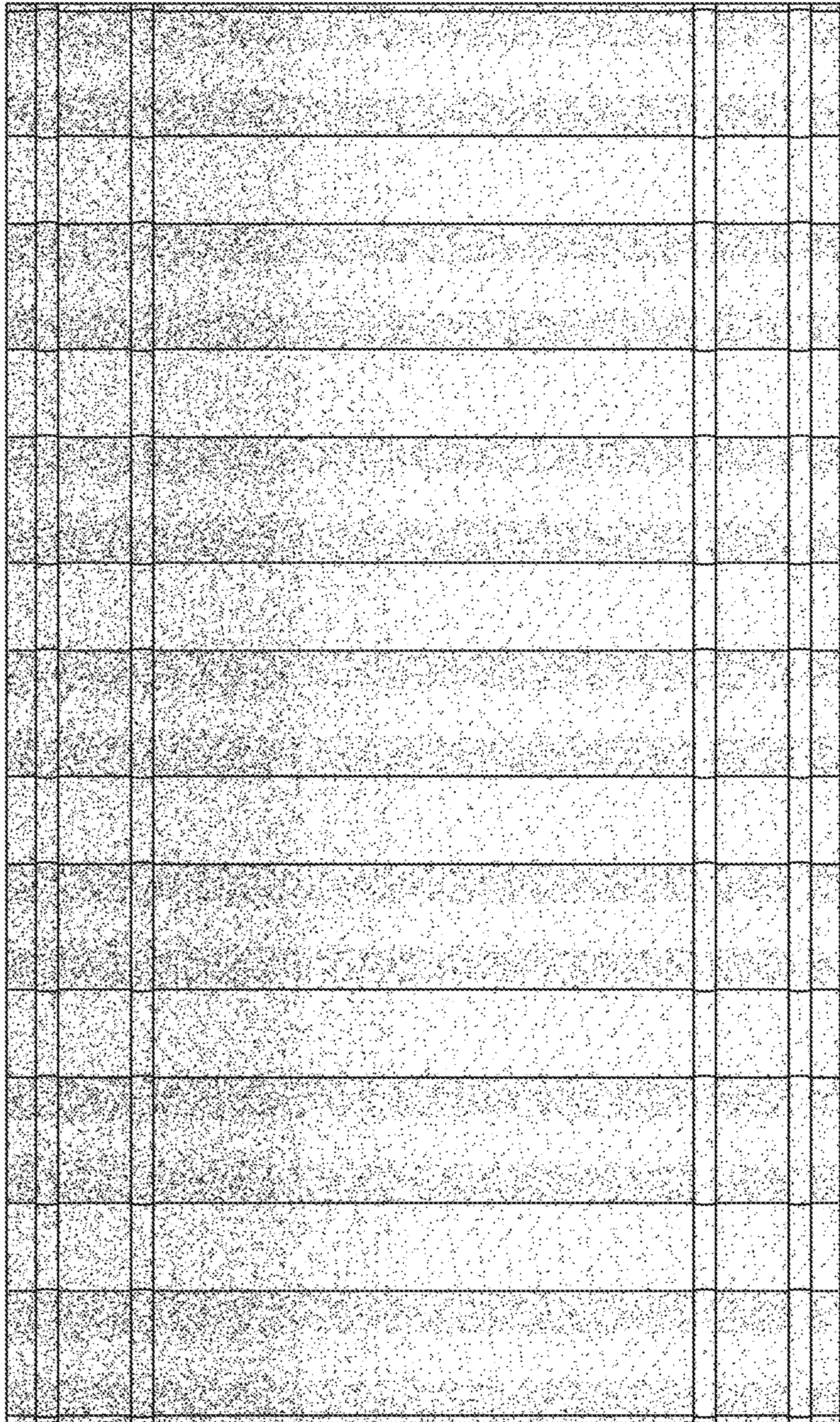


FIG. 11

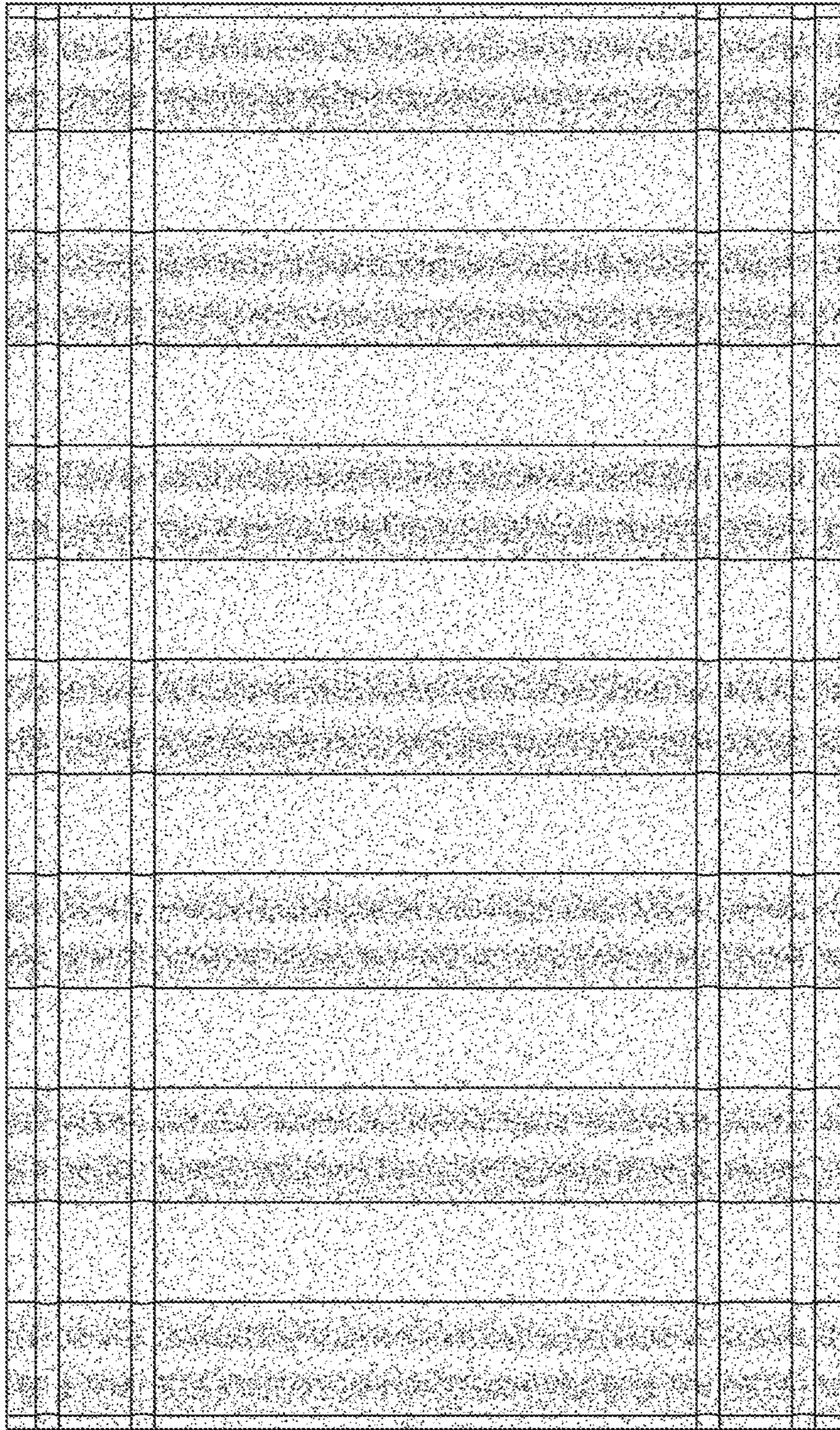


FIG. 12

