



US00D908925S

(12) **United States Design Patent**
Kang

(10) **Patent No.:** **US D908,925 S**
(45) **Date of Patent:** **** Jan. 26, 2021**

(54) **LADDER**
(71) Applicant: **Il Jung Kang**, Asan-si (KR)
(72) Inventor: **Il Jung Kang**, Asan-si (KR)
(**) Term: **15 Years**
(21) Appl. No.: **35/507,824**
(22) Filed: **Apr. 10, 2019**

D706,455 S * 6/2014 Buchanan D25/64
D796,694 S * 9/2017 Green D25/64
D810,320 S * 2/2018 Rose D25/64
D838,385 S * 1/2019 Moss D25/64
D884,923 S * 5/2020 Green D25/64
D895,152 S * 9/2020 Moss D25/64
2017/0130529 A1* 5/2017 Tamez Reyes E06C 1/12
2019/0145171 A1* 5/2019 Frensley E06C 7/165
182/120
2020/0063491 A1* 2/2020 Green E06C 1/39
2020/0240207 A1* 7/2020 Zhu E06C 7/14
2020/0263497 A1* 8/2020 Leng E06C 1/20

(80) **Hague Agreement Data**

Int. Filing Date: **Apr. 10, 2019**
Int. Reg. No.: **DM/204079**
Int. Reg. Date: **Apr. 10, 2019**
Int. Reg. Pub. Date: **Nov. 22, 2019**

* cited by examiner

Primary Examiner — Samantha Q Lawrence

(51) **LOC (13) Cl.** **25-04**

(57) **CLAIM**

(52) **U.S. Cl.**
USPC **D25/64**

The ornamental design for a ladder, as shown and described.

(58) **Field of Classification Search**

USPC D25/62, 63, 64, 65, 66, 67, 68, 69;
182/23, 26, 106, 107, 112, 113, 115, 120,
182/129, 130, 132, 151, 152, 156, 162,
182/180.1, 194, 201, 207, 215, 220, 245
CPC . E06C 1/393; E06C 1/387; E06C 1/39; E06C
1/383; E06C 1/32; E06C 7/14; B60R
3/007; B60R 3/02

DESCRIPTION

See application file for complete search history.

1. Ladder

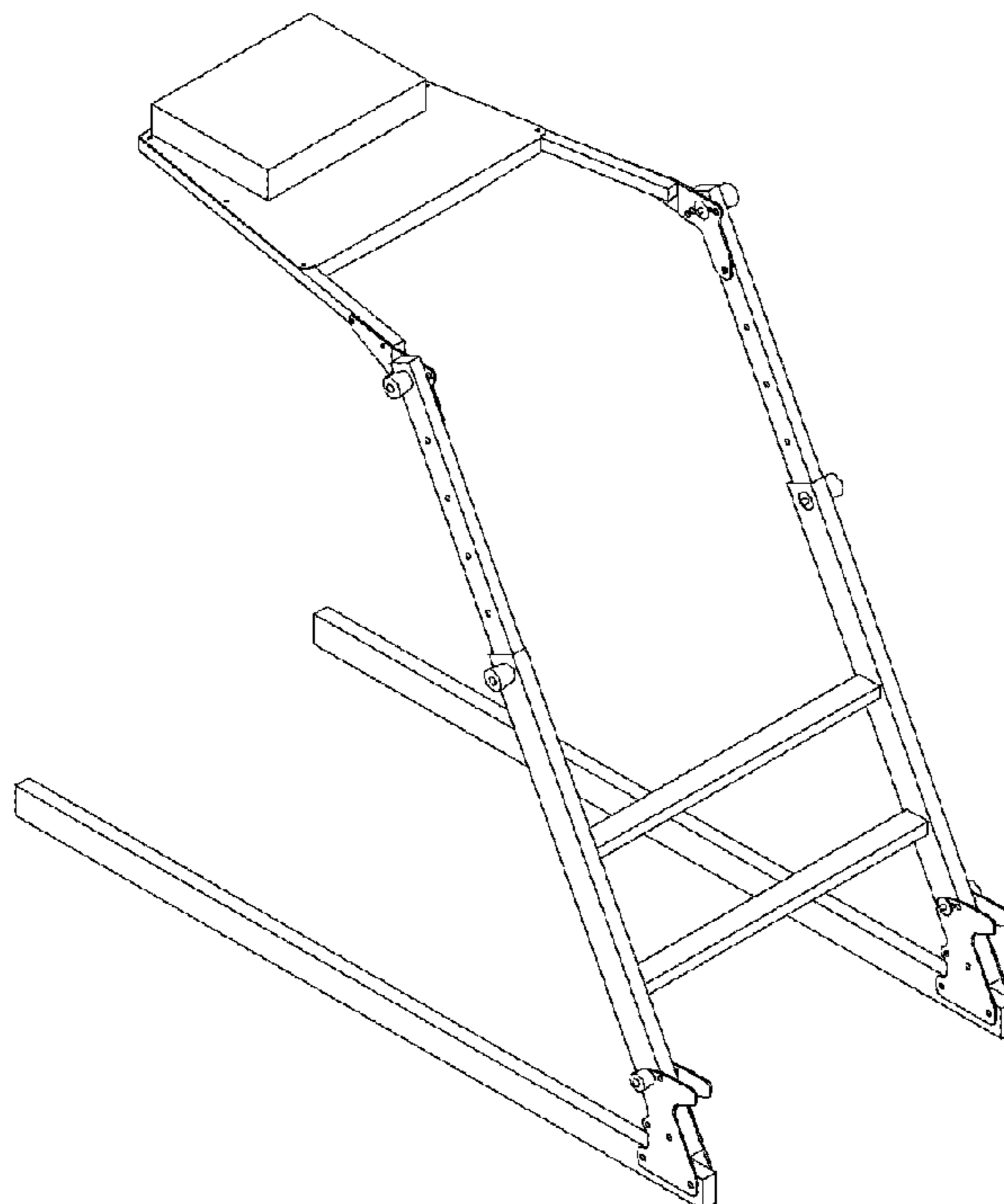
Figure 1.1 is a perspective view of a ladder;
Figure 1.2 is a front view thereof;
Figure 1.3 is a back view thereof;
Figure 1.4 is a left view thereof;
Figure 1.5 is a right view thereof;
Figure 1.6 is a top view thereof; and
Figure 1.7 is a bottom view thereof.

(56) **References Cited**

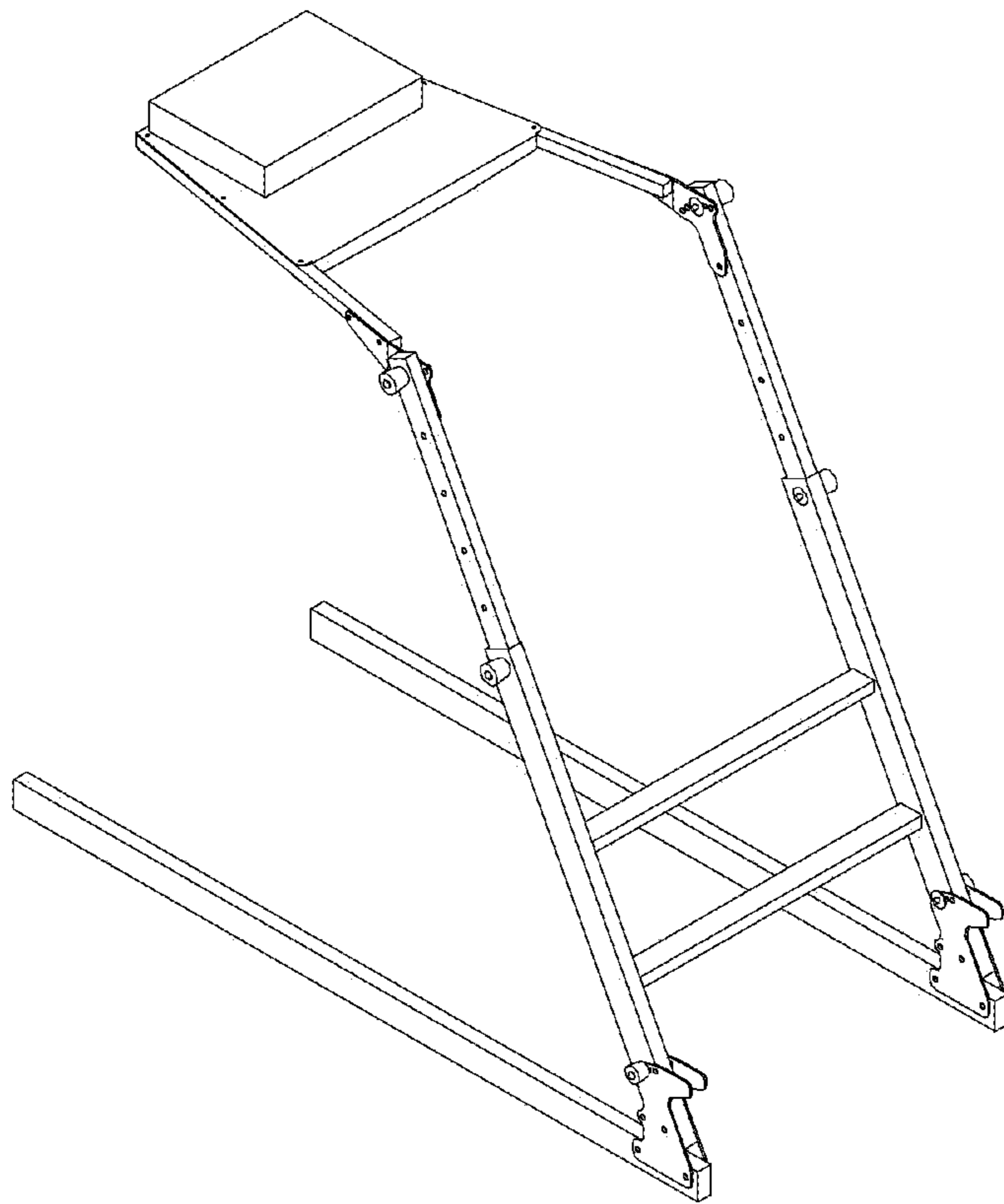
U.S. PATENT DOCUMENTS

D347,069 S * 5/1994 Lu D25/64
6,341,666 B1 * 1/2002 Allen E06C 7/14
182/129

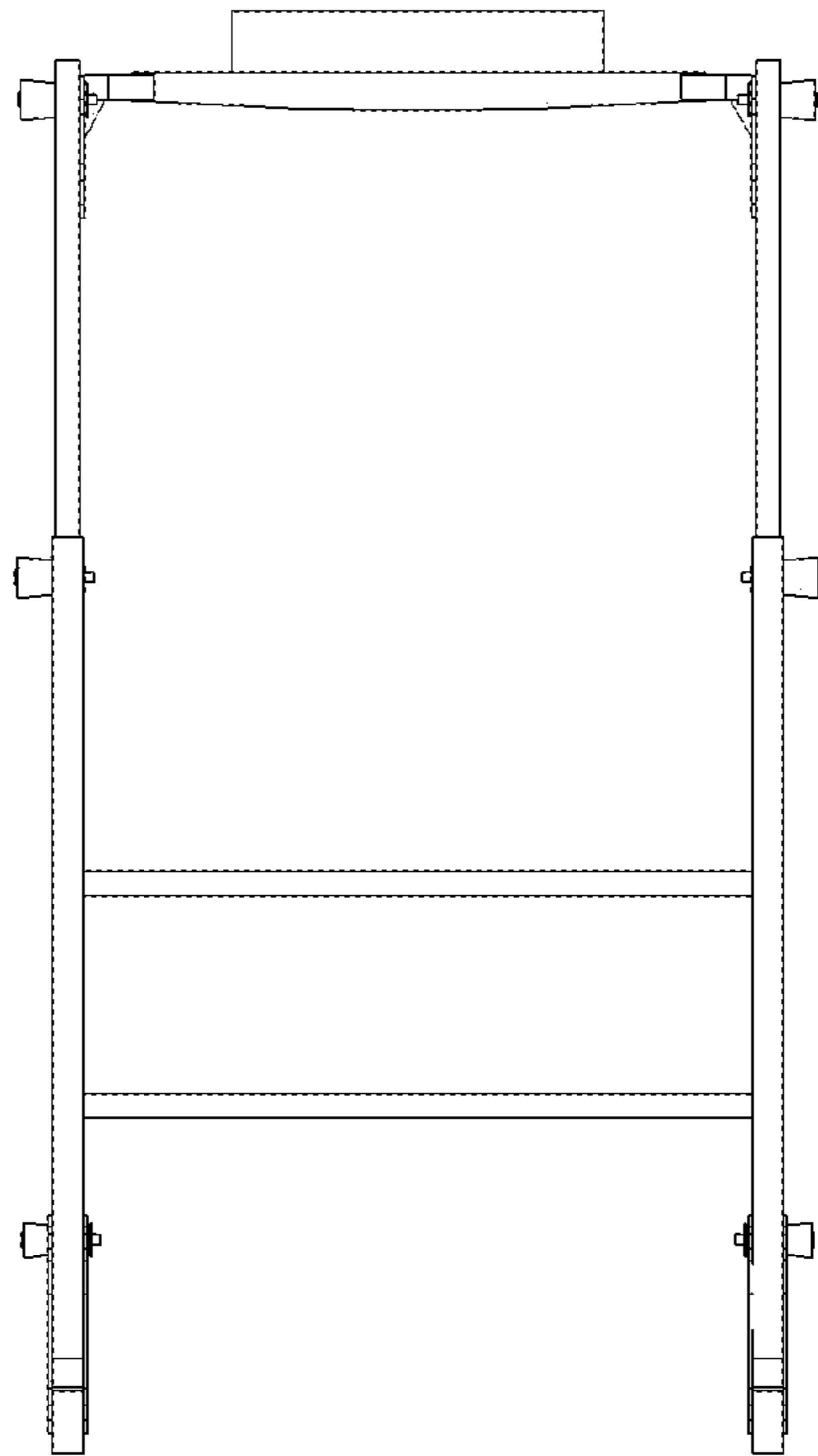
1 Claim, 7 Drawing Sheets



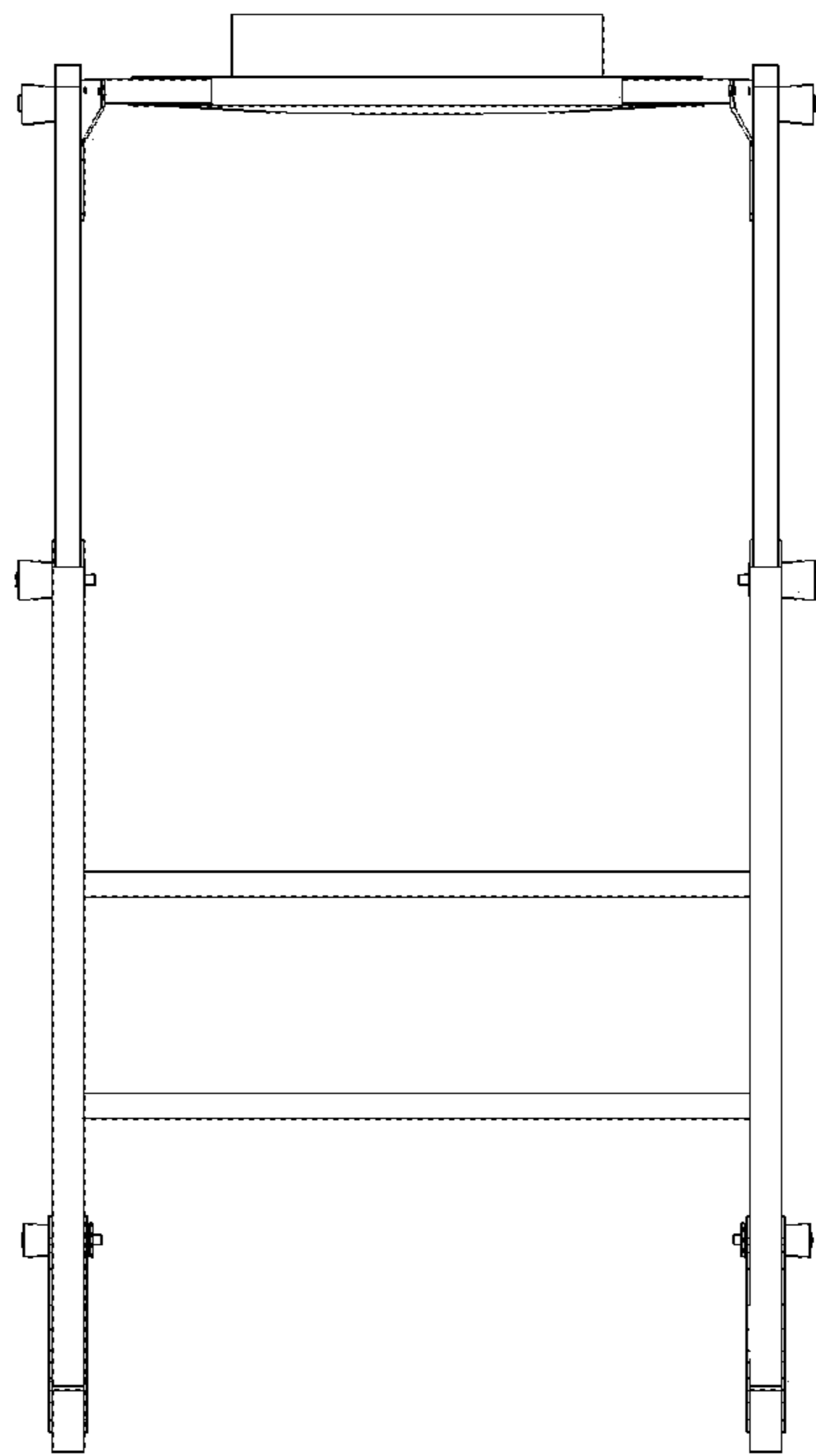
1.1



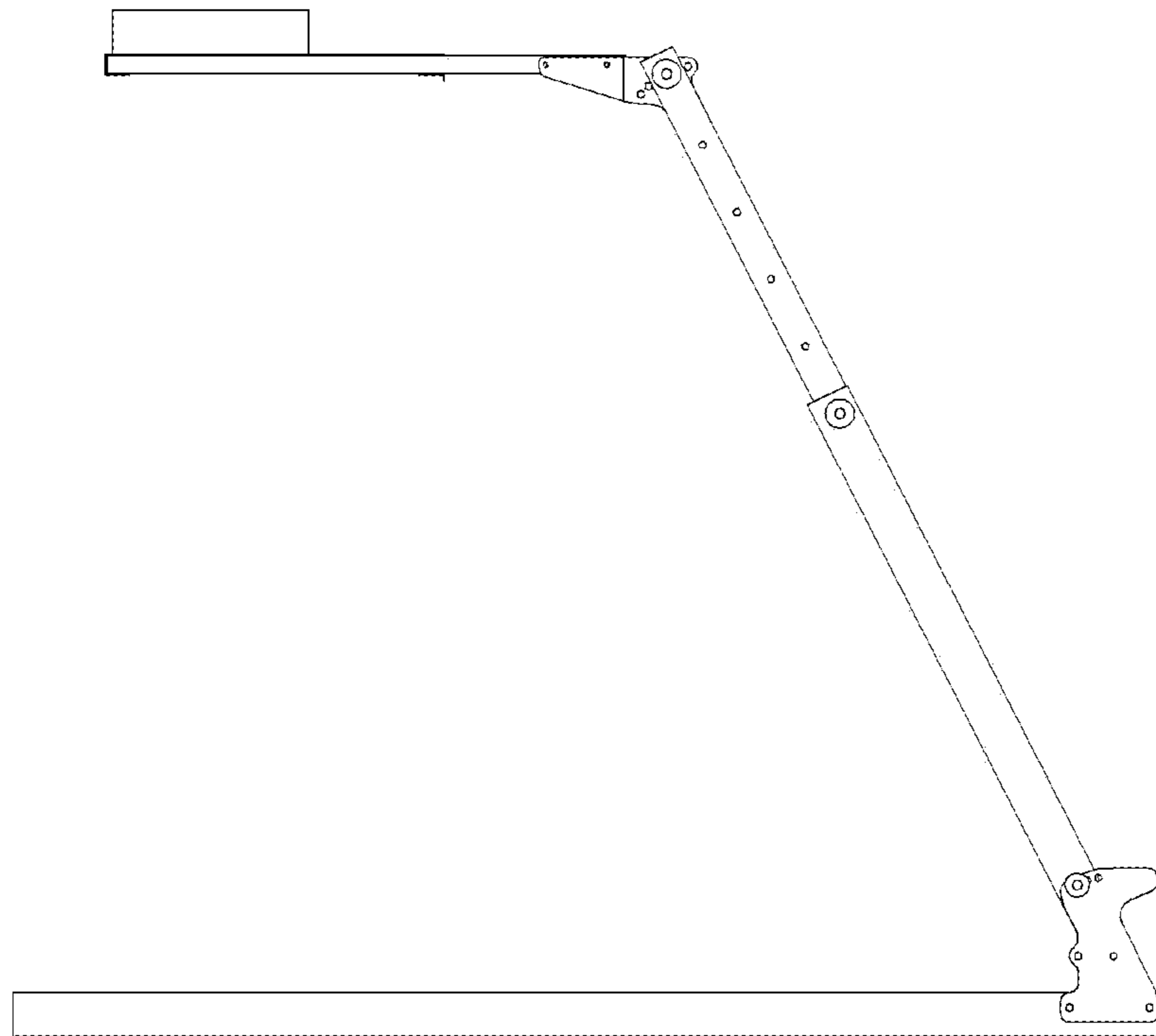
1.2



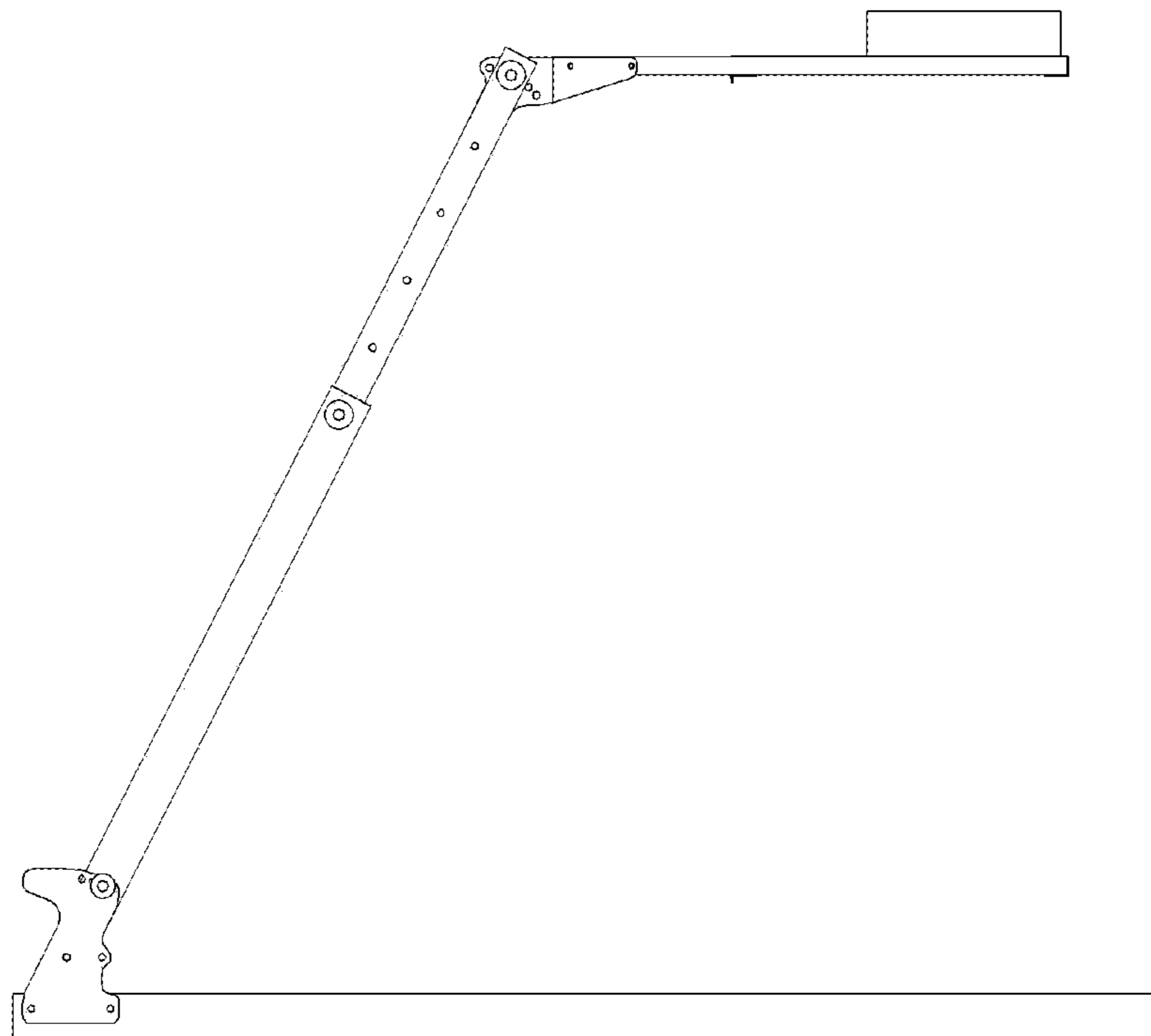
1.3



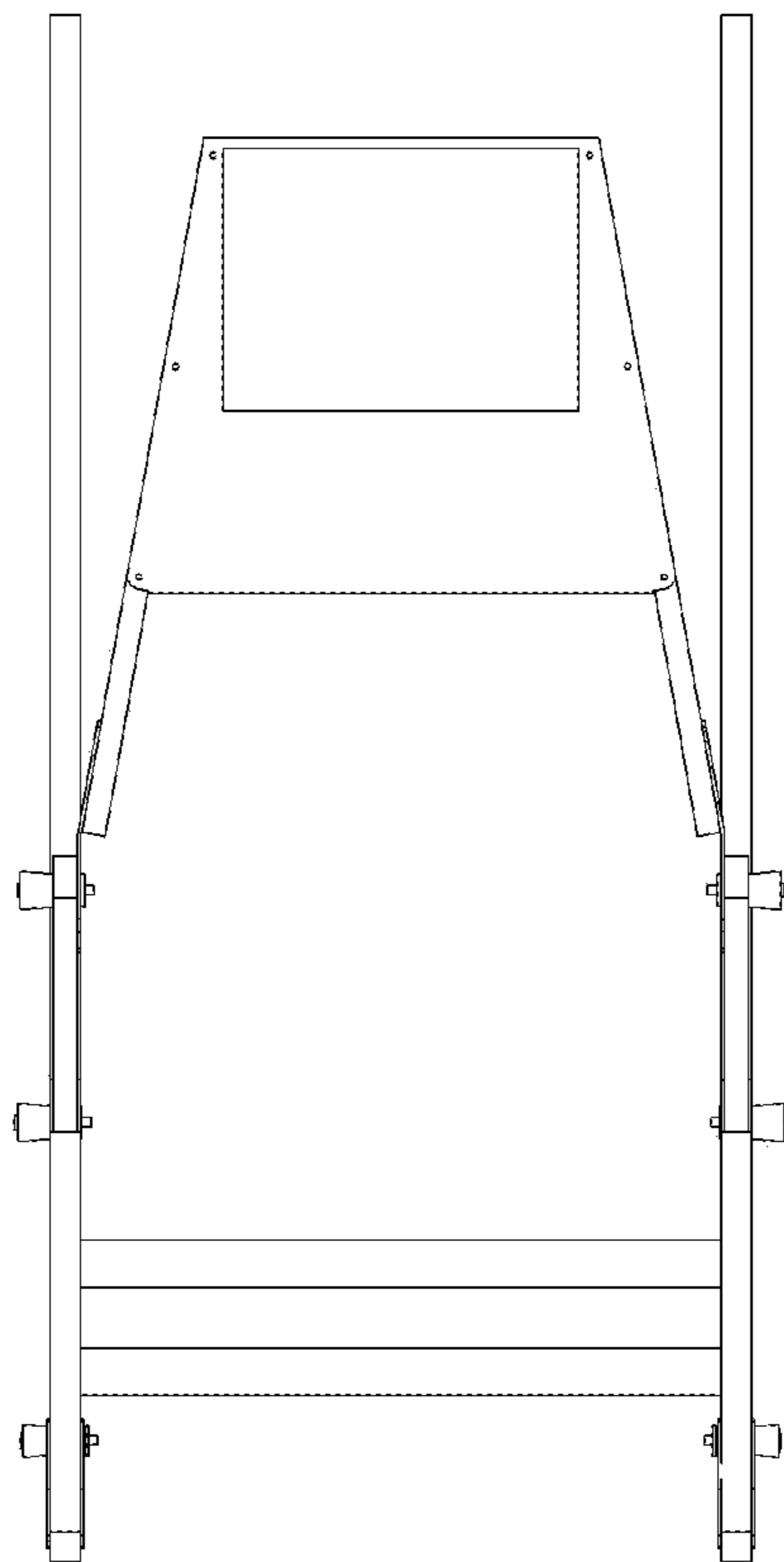
1.4



1.5



1.6



1.7

