



US00D908924S

(12) **United States Design Patent**
Melton et al.

(10) **Patent No.:** **US D908,924 S**
(45) **Date of Patent:** **** Jan. 26, 2021**

(54) **MULTIPURPOSE LADDER**

(71) Applicants: **Michael T. Melton**, Glen Ellyn, IL (US); **Thomas Murray**, Philadelphia, PA (US); **Thomas J. Dooley**, Media, PA (US); **Daniel Massam**, Langhorne, PA (US); **Ryan W. Duever**, Sycamore, IL (US)

(72) Inventors: **Michael T. Melton**, Glen Ellyn, IL (US); **Thomas Murray**, Philadelphia, PA (US); **Thomas J. Dooley**, Media, PA (US); **Daniel Massam**, Langhorne, PA (US); **Ryan W. Duever**, Sycamore, IL (US)

(73) Assignee: **Werner Co.**, Greenville, PA (US)

(**) Term: **15 Years**

(21) Appl. No.: **29/691,149**

(22) Filed: **May 14, 2019**

(51) **LOC (13) Cl.** **25-04**

(52) **U.S. Cl.**
USPC **D25/64**

(58) **Field of Classification Search**
USPC D25/62-65, 68, 69; 248/210; 182/165, 182/22, 180.1, 124, 115, 173, 23, 106, 182/163, 167, 127
CPC ... E06C 1/28; E06C 1/08; E06C 1/383; E06C 7/426

See application file for complete search history.

(56) **References Cited**

U.S. PATENT DOCUMENTS

4,182,431 A *	1/1980	Wing	E06C 1/12 182/167
5,074,377 A *	12/1991	Krause	E06C 7/42 182/167
D392,744 S *	3/1998	Staal	D25/64
6,220,389 B1 *	4/2001	Krause	E06C 1/12 182/163
6,973,996 B2 *	12/2005	Huff	B60R 9/0485 182/127
9,016,434 B2 *	4/2015	Moss	E06C 7/182 182/106
2005/0274571 A1 *	12/2005	Simpson	E06C 7/083 182/23

* cited by examiner

Primary Examiner — Gino Colan

(74) *Attorney, Agent, or Firm* — Ansel M. Schwartz

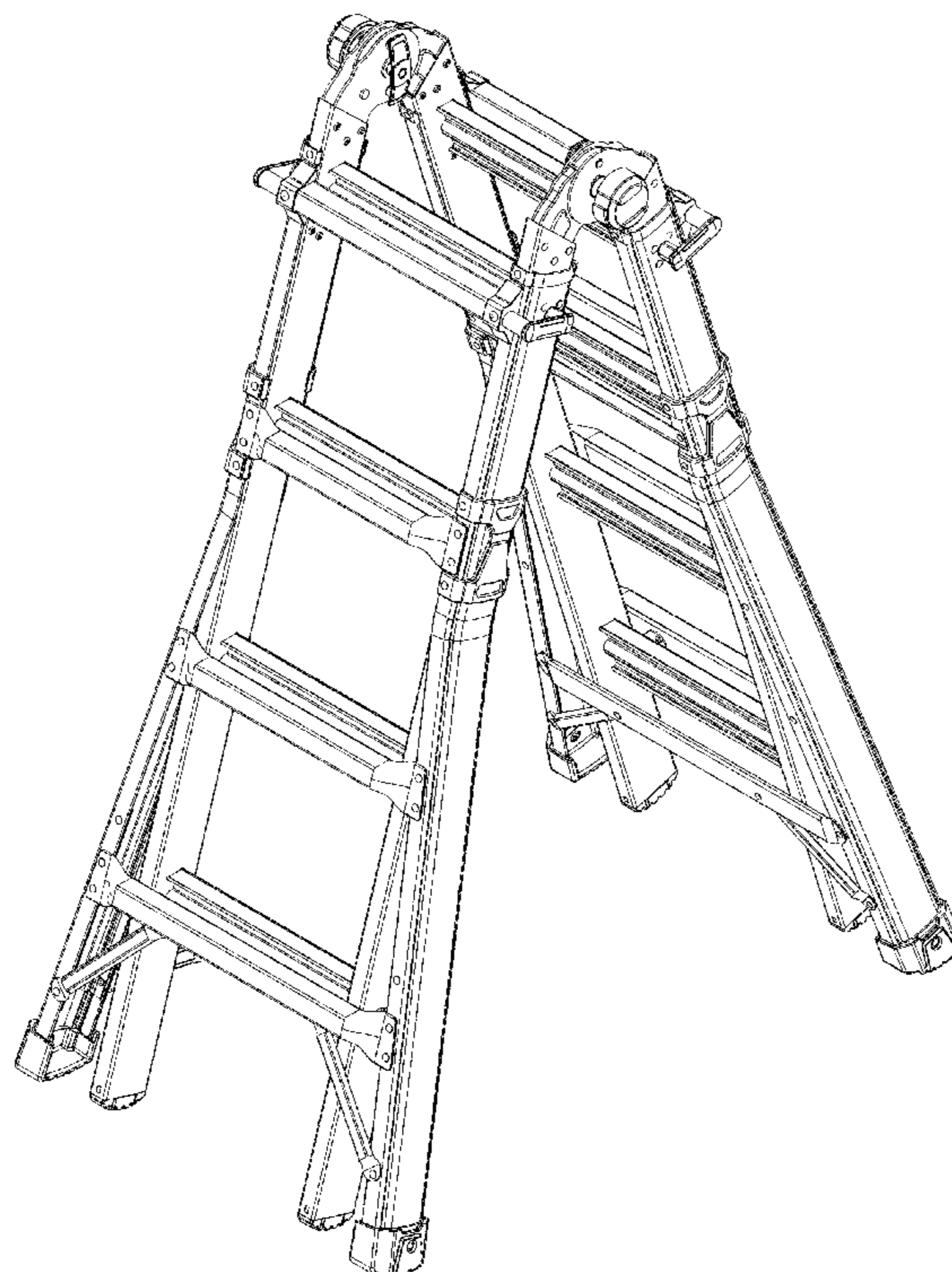
(57) **CLAIM**

The ornamental design for a multipurpose ladder, as shown and described.

DESCRIPTION

FIG. 1 is a front perspective view of a multipurpose ladder showing our new design in stepladder position; FIG. 2 is a front elevational view thereof; FIG. 3 is a rear elevational view thereof; FIG. 4 is a right side elevational view thereof; FIG. 5 is a left side elevational view thereof; FIG. 6 is a top plan view thereof; and, FIG. 7 is a bottom plan view thereof.

1 Claim, 7 Drawing Sheets



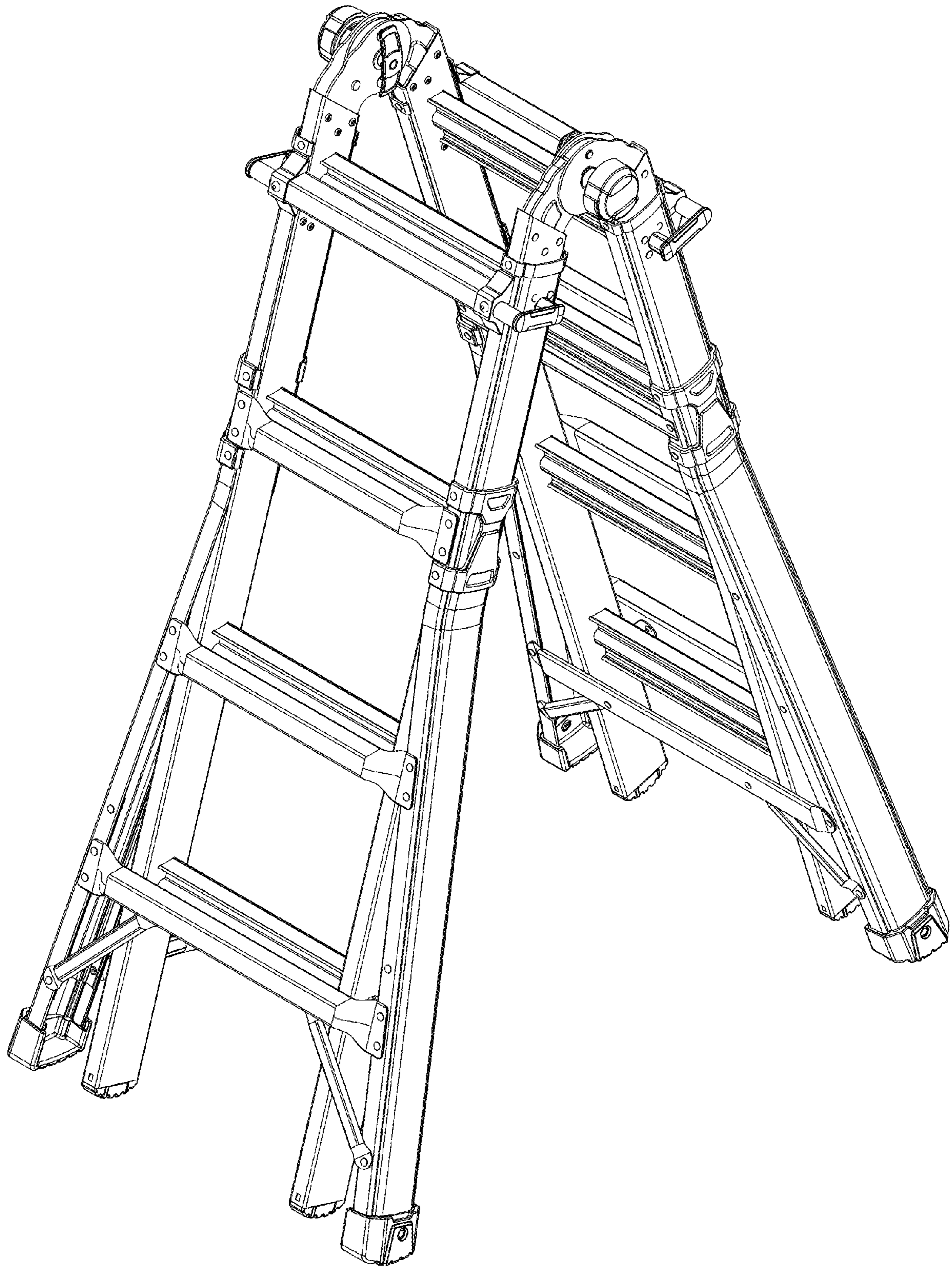


FIG 1

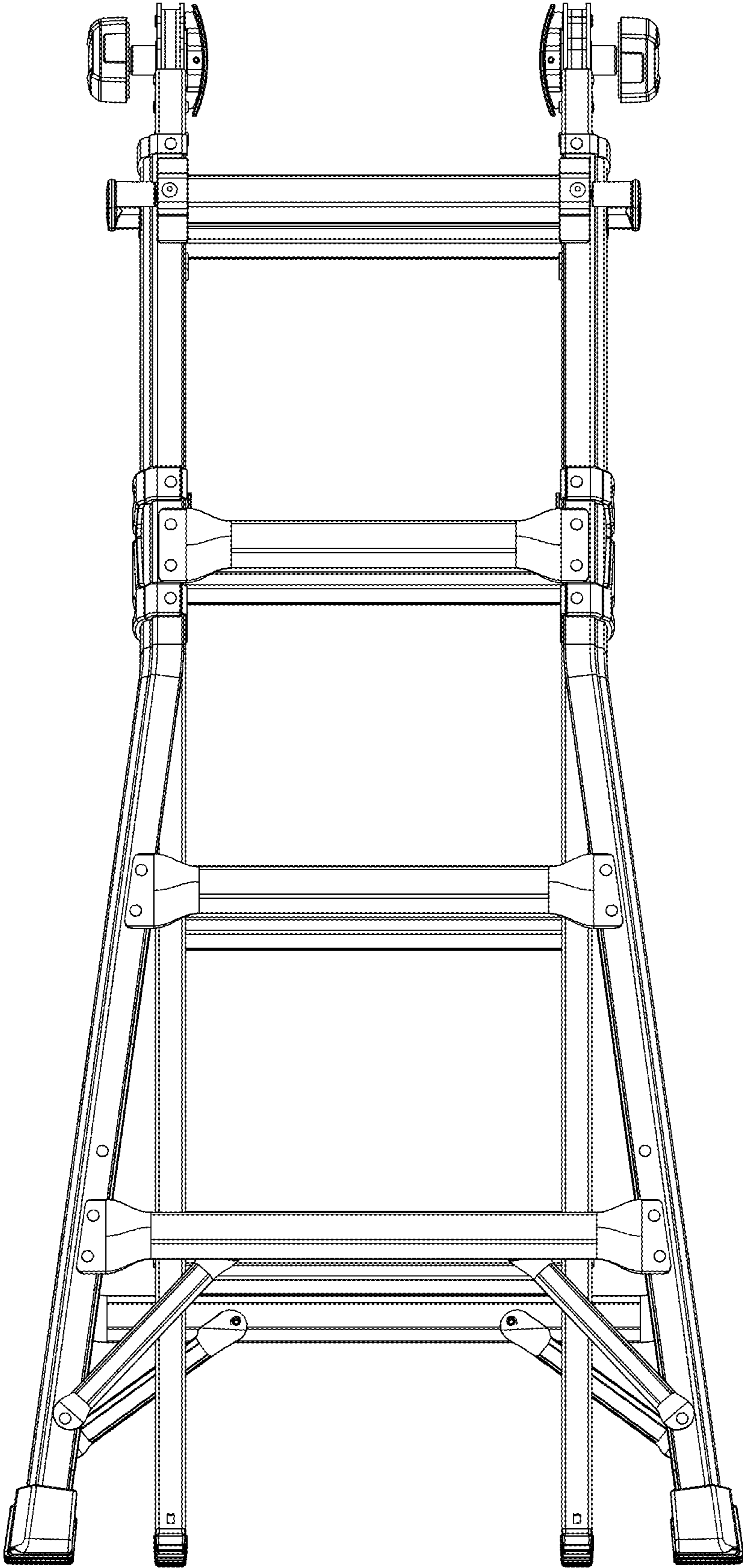


FIG 2

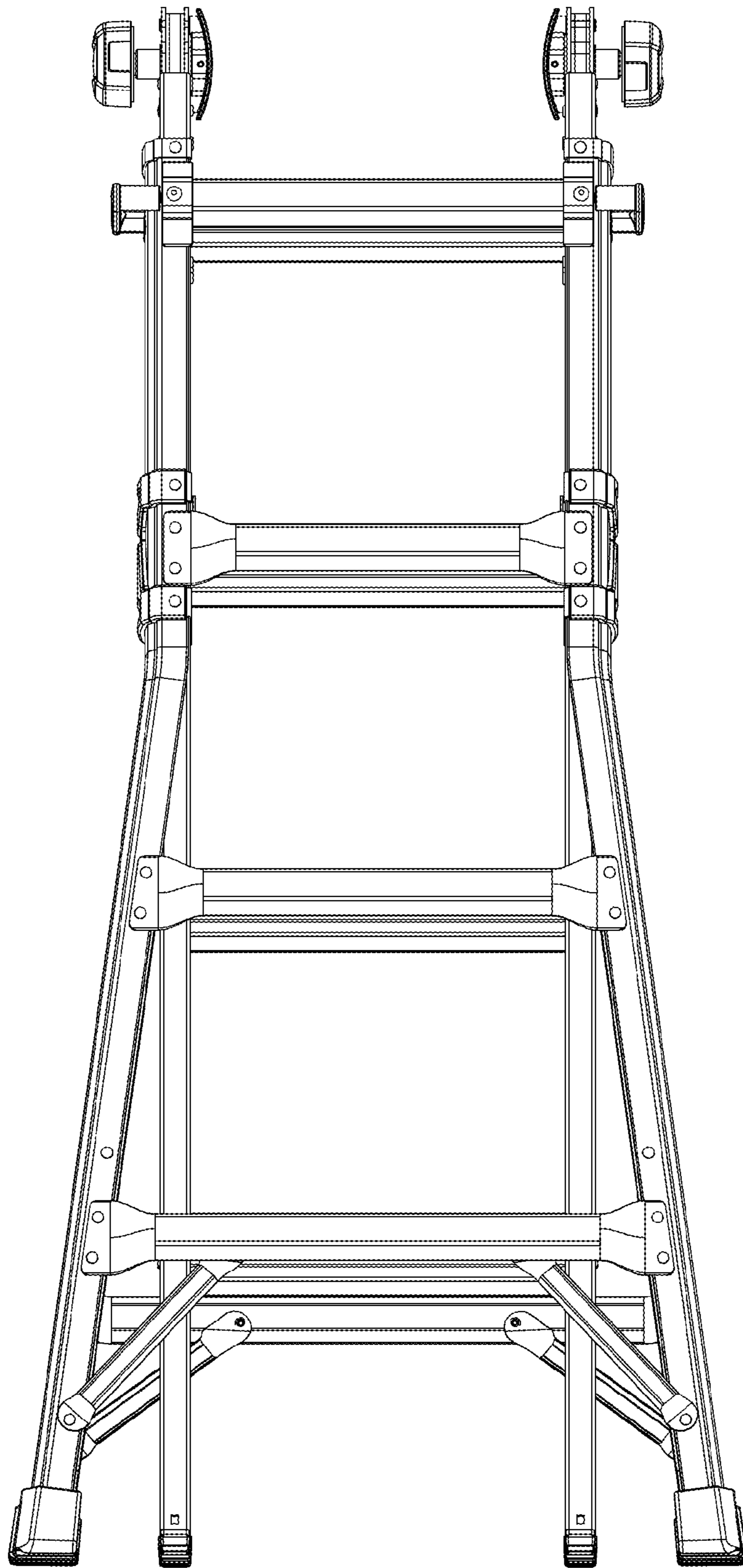


FIG 3

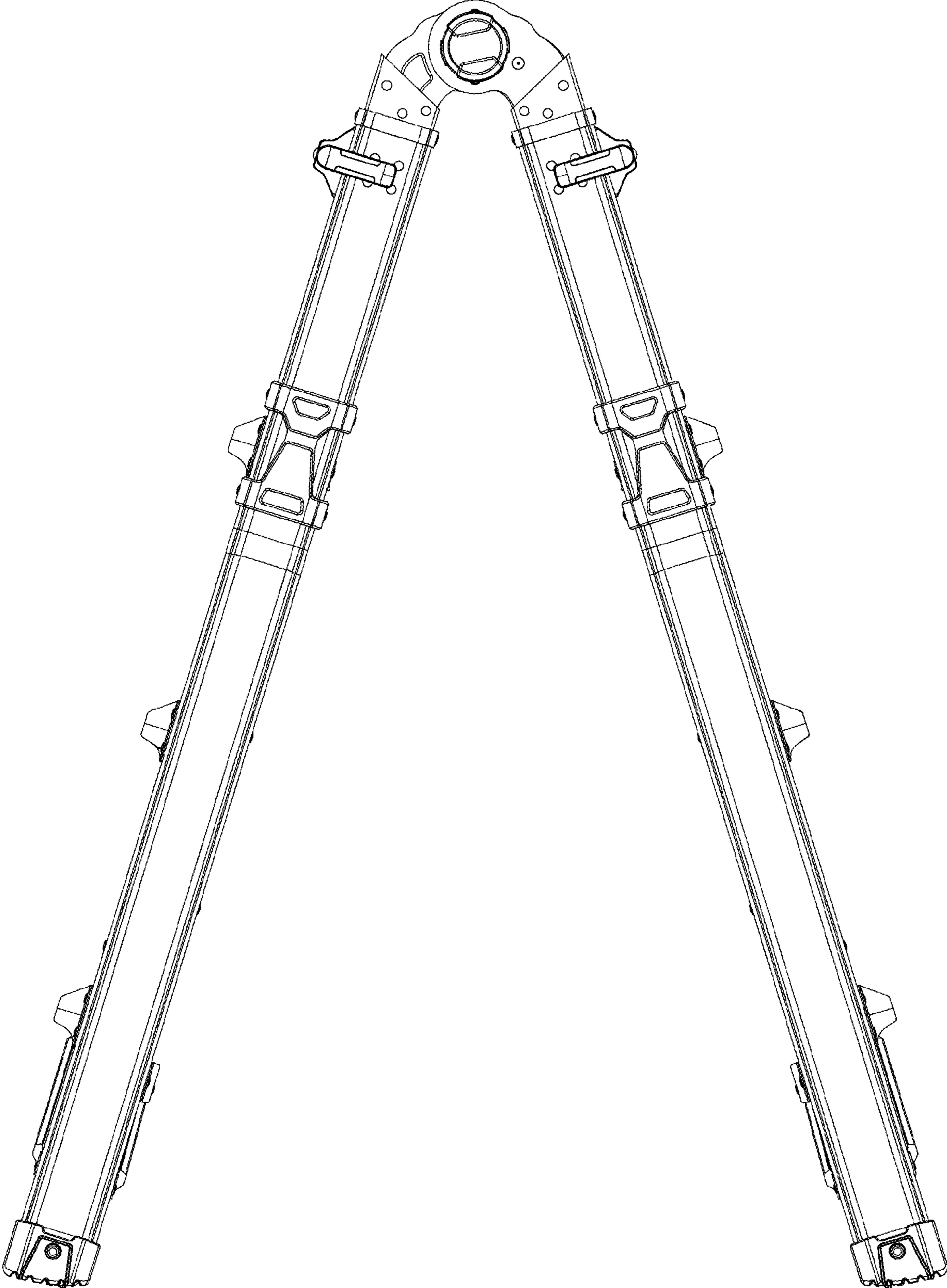


FIG 4

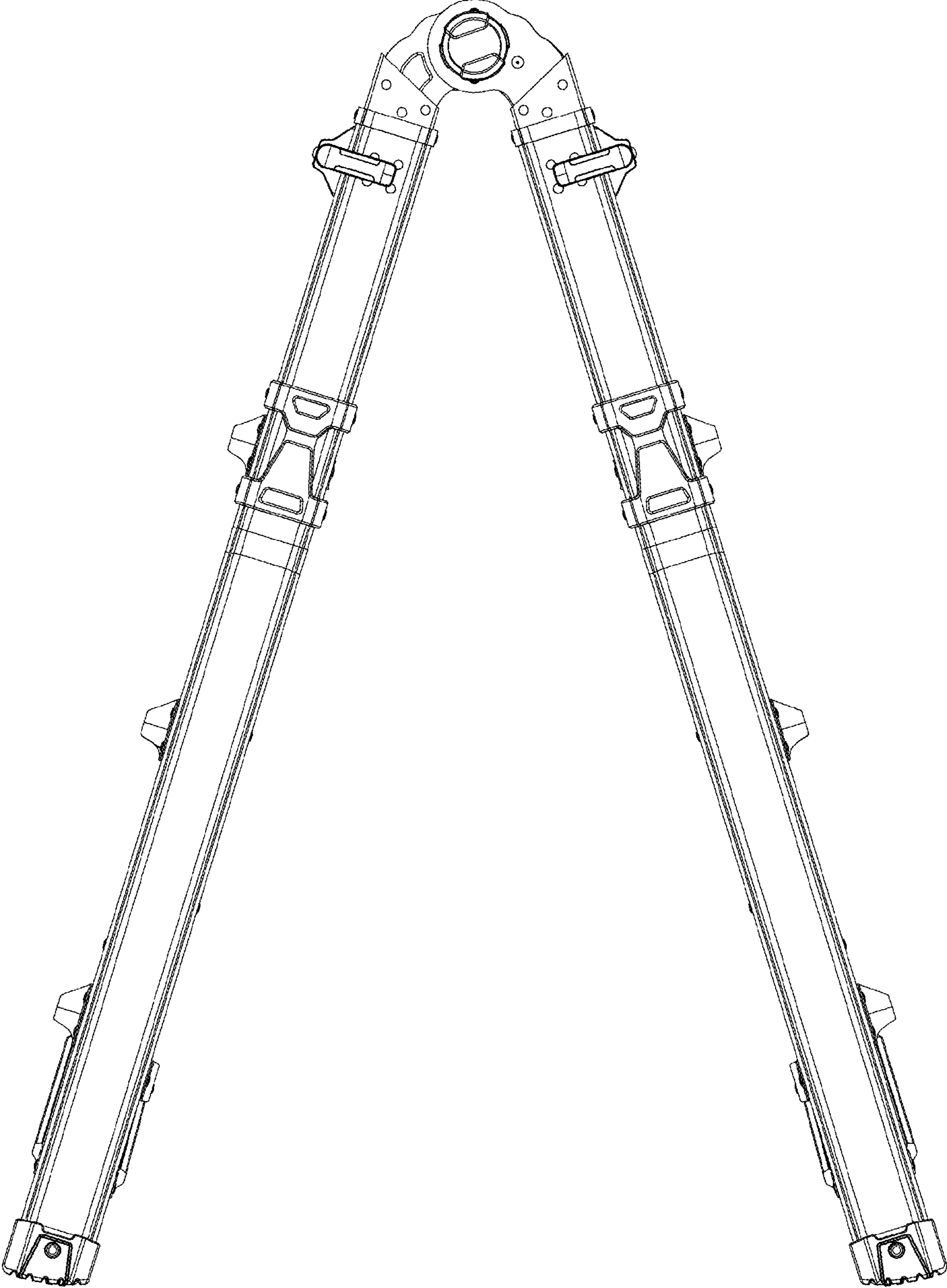


FIG 5

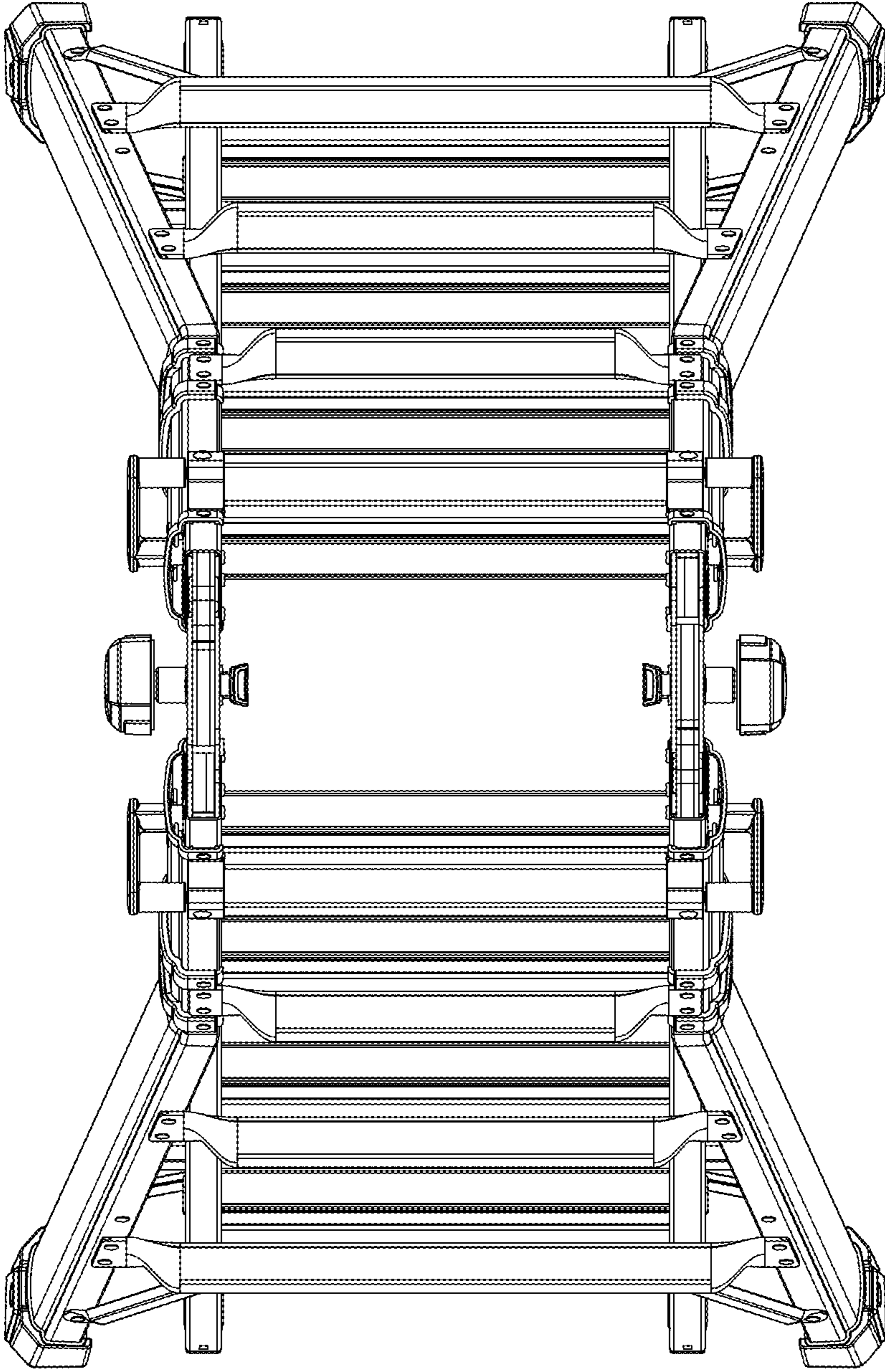


FIG 6

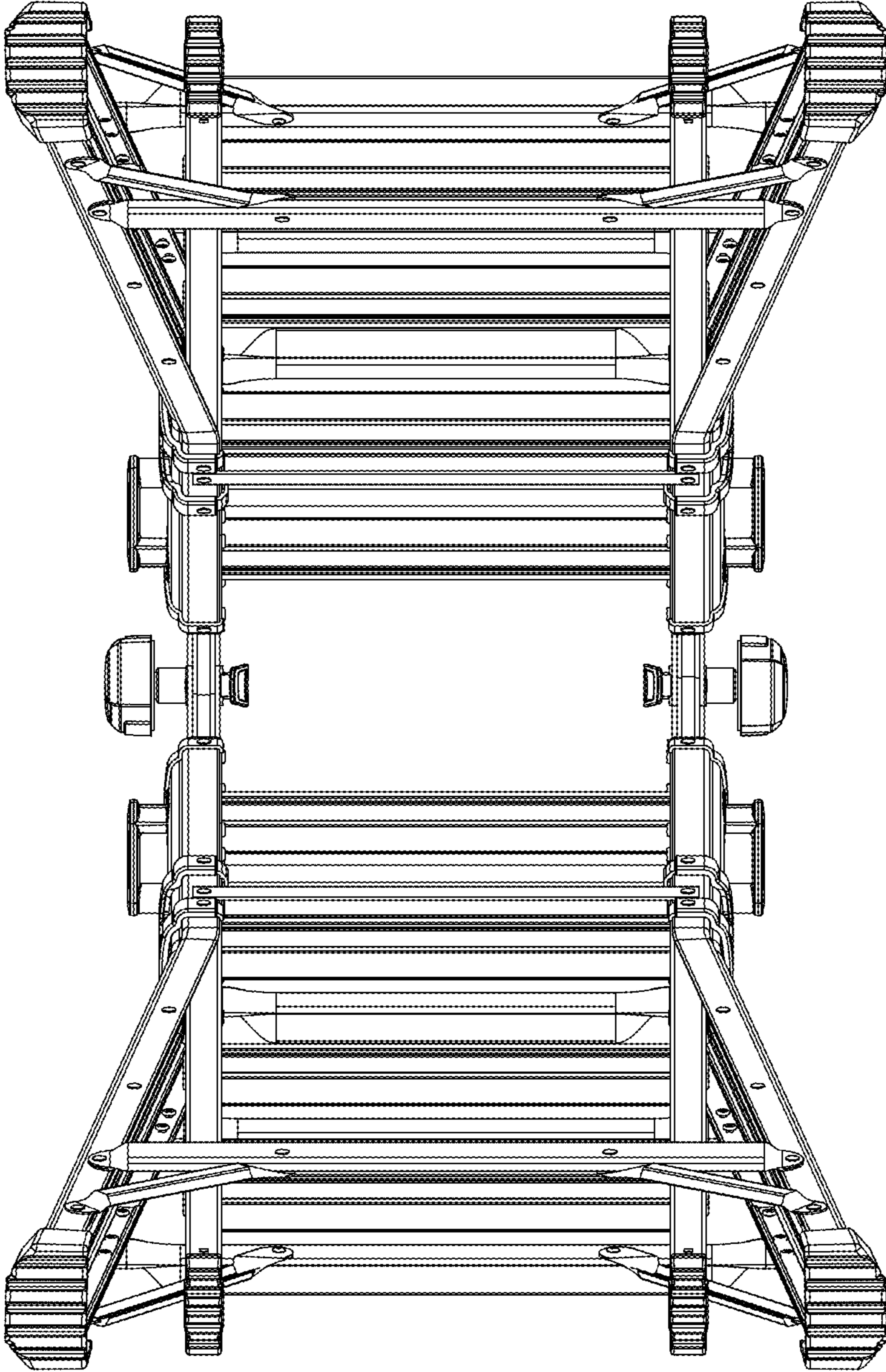


FIG 7