



US00D908922S

(12) **United States Design Patent** (10) **Patent No.:** **US D908,922 S**  
**Gouge et al.** (45) **Date of Patent:** **\*\* \*Jan. 26, 2021**

(54) **DOOR**

FOREIGN PATENT DOCUMENTS

(71) Applicant: **Masonite Corporation**, Tampa, FL (US)

CN 300837720 \* 10/2008  
CN 301854639 \* 3/2012

(72) Inventors: **Timothy D. Gouge**, Elgin, IL (US);  
**Robert C. Allen**, Elburn, IL (US);  
**Jason M. Walsh**, Batavia, IL (US);  
**Mark Albrighton**, Wesley Chapel, FL (US)

OTHER PUBLICATIONS

Masonite Exterior Doors 2015 by clearymillwork—issuu <https://issuu.com/clearymillwork/docs/masonitecatalog14/200> Posted May 26, 2014 (Year: 2014).\*

(Continued)

(73) Assignee: **Masonite Corporation**, Tampa, FL (US)

*Primary Examiner* — Leanne Was-Englehart  
(74) *Attorney, Agent, or Firm* — Berenato & White, LLC

(\*) Notice: This patent is subject to a terminal disclaimer.

(57) **CLAIM**

The ornamental design for a door, as shown and described.

(\*\*) Term: **15 Years**

**DESCRIPTION**

(21) Appl. No.: **29/694,457**

(22) Filed: **Jun. 11, 2019**

**Related U.S. Application Data**

(60) Continuation of application No. 29/641,150, filed on Mar. 20, 2018, now Pat. No. Des. 851,280, which is (Continued)

(51) **LOC (13) Cl.** ..... **25-02**

(52) **U.S. Cl.**  
USPC ..... **D25/48.3**

(58) **Field of Classification Search**  
USPC ..... D25/48.1, 48.3, 48.4, 48.5, 138 (Continued)

(56) **References Cited**

U.S. PATENT DOCUMENTS

432,504 A \* 7/1890 Amsden ..... E06B 3/5892  
52/455  
926,361 A \* 6/1909 Sjobring ..... E06B 3/5892  
52/455

(Continued)

FIG. 1 is a front perspective view of a door;  
FIG. 2 is a front elevational view;  
FIG. 3 is a rear elevational view;  
FIG. 4 is an enlarged view of the encircled portion of FIG. 1;  
FIG. 5 is a bottom plan view;  
FIG. 6 is a bottom plan view;  
FIG. 7 is a cross sectional view taken from FIG. 2;  
FIG. 8 is a cross sectional view taken from FIG. 2;  
FIG. 9 is an enlarged fragmentary cross sectional view of the encircled portion of FIG. 7;  
FIG. 10 is enlarged fragmentary cross sectional view of the encircled portion of FIG. 8;  
FIG. 11 is a right side elevational view;  
FIG. 12 is a left elevational view;  
FIG. 13 is a cross sectional view taken from FIG. 2;  
FIG. 14 is an enlarged fragmentary cross sectional view of the encircled portion of FIG. 13;  
FIG. 15 is an enlarged fragmentary cross sectional view of the encircled portion of FIG. 13;  
FIG. 16 is a front perspective view of a second version of a door;  
FIG. 17 is a front elevational view;

(Continued)

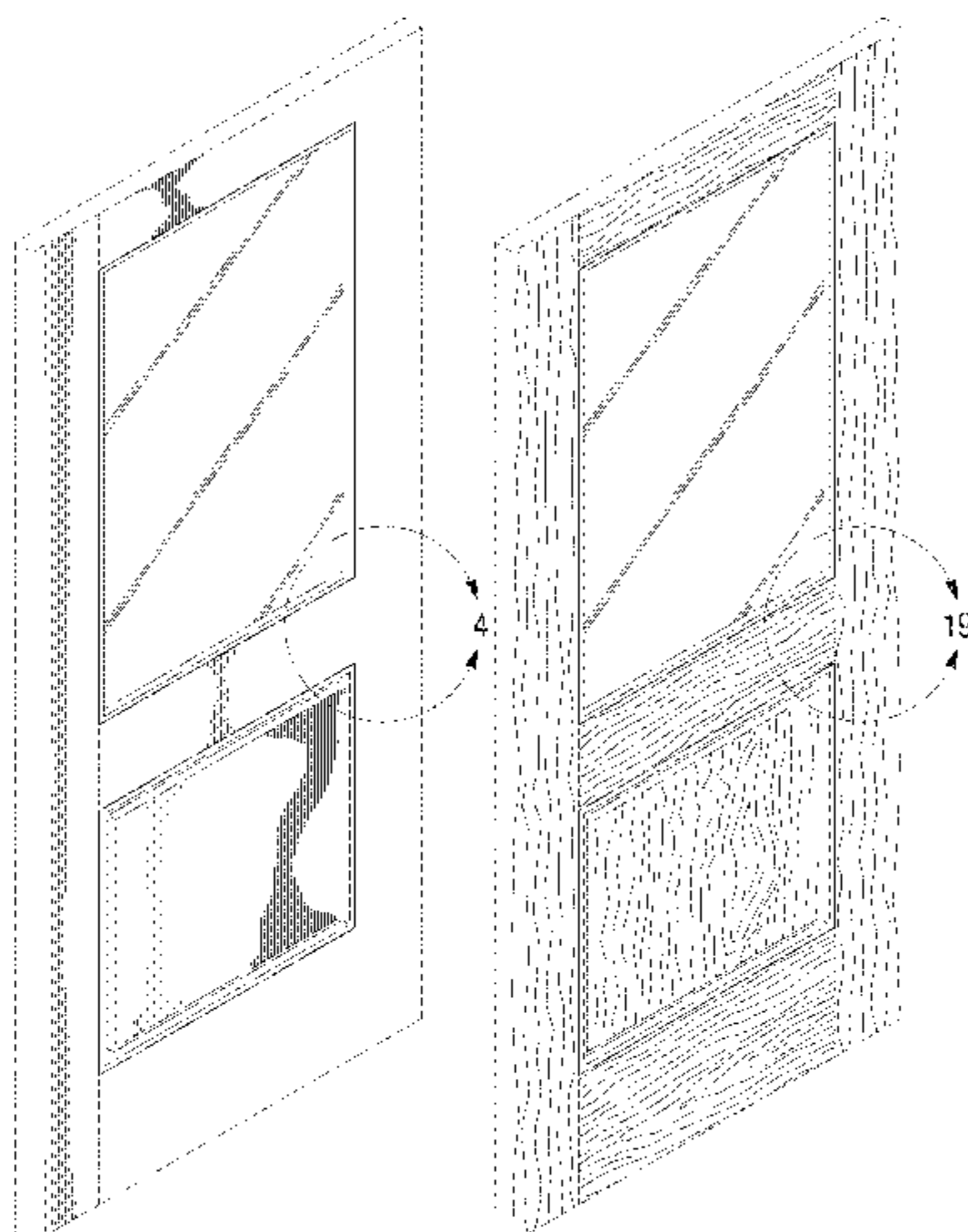


FIG. 18 is a rear elevational view;  
 FIG. 19 is an enlarged view of the encircled portion of FIG. 16;  
 FIG. 20 is a bottom plan view;  
 FIG. 21 is a bottom plan view;  
 FIG. 22 is a cross sectional view taken from FIG. 17;  
 FIG. 23 is a cross sectional view taken from FIG. 17;  
 FIG. 24 is an enlarged fragmentary cross sectional view of the encircled portion of FIG. 22;  
 FIG. 25 is enlarged fragmentary cross sectional view of the encircled portion of FIG. 23;  
 FIG. 26 is a right side elevational view;  
 FIG. 27 is a left elevational view;  
 FIG. 28 is a cross sectional view taken from FIG. 17;  
 FIG. 29 is an enlarged fragmentary cross sectional view of the encircled portion of FIG. 28; and,  
 FIG. 30 is an enlarged fragmentary cross sectional view of the encircled portion of FIG. 28.  
 The evenly spaced broken lines in the drawings depict portions of the door that form no part of the claimed invention. The dot-dot-dash broken lines depict the limits of the enlarged views and form no part of the claimed design.

**1 Claim, 16 Drawing Sheets**

**Related U.S. Application Data**

a continuation of application No. 29/605,707, filed on May 30, 2017, now Pat. No. Des. 813,412, which is a division of application No. 29/529,342, filed on Jun. 5, 2015, now Pat. No. Des. 788,322.

(58) **Field of Classification Search**  
 CPC ..... E06B 3/58; E06B 3/72; E06B 3/78; E06B 3/485; E06B 3/4636; E06B 3/5892; E06B 2003/7044; E06B 1/04; E06B 5/00  
 See application file for complete search history.

(56) **References Cited**

U.S. PATENT DOCUMENTS

956,556 A \* 5/1910 Wege ..... E06B 3/5892  
 52/800.17  
 985,912 A \* 3/1911 Lindros ..... E06B 3/5892  
 52/455

986,013 A \* 3/1911 Klemm ..... E06B 3/728  
 52/800.18  
 988,574 A \* 4/1911 Jones ..... E06B 3/5892  
 52/455  
 1,021,053 A \* 3/1912 Lempera ..... E06B 3/5892  
 52/455  
 1,086,934 A \* 2/1914 Parish ..... E06B 3/5892  
 52/800.17  
 1,094,025 A \* 4/1914 Scott ..... E04B 1/0046  
 52/764  
 1,391,949 A \* 9/1921 Gogay ..... E06B 3/5892  
 52/784.13  
 1,466,650 A \* 8/1923 Wege ..... E06B 3/728  
 52/455  
 D529,188 S 9/2006 Walsh et al.  
 D566,293 S 4/2008 Walsh et al.  
 D593,212 S 5/2009 Walsh et al.  
 D608,904 S 1/2010 Walsh et al.  
 D660,979 S 5/2012 Walsh  
 D665,099 S 8/2012 Paxton  
 D736,409 S 8/2015 Gouge et al.  
 D756,534 S \* 5/2016 Allen ..... D25/48.3  
 D788,322 S \* 5/2017 Gouge ..... D25/48.3  
 D797,310 S \* 9/2017 Gouge ..... D25/48.3  
 D797,954 S \* 9/2017 Allen ..... D25/48.3  
 D800,920 S \* 10/2017 Gouge ..... D25/48.3  
 D813,412 S \* 3/2018 Gouge ..... D25/48.3  
 D851,280 S \* 6/2019 Gouge ..... D25/48.3  
 D851,784 S \* 6/2019 Gouge ..... D25/48.3  
 D853,586 S \* 7/2019 Gouge ..... D25/48.3

OTHER PUBLICATIONS

Masonite Fiberglass & Steel Doors Horner Millwork <https://www.hornermillwork.com/products/doors/exterior-doors/masonite/> Retrieved Oct. 18, 2019 (Year: 2019).\*

Masonite Vistagrande Brochure by clearymillwork—issuu [https://issuu.com/clearymillwork/docs/vistagrande\\_brochure](https://issuu.com/clearymillwork/docs/vistagrande_brochure) Posted Dec. 17, 2017 (Year: 2017).\*

Masonite Vistagrande Stock Sheet by clearymillwork—issuu [https://issuu.com/clearymillwork/docs/vistagrande\\_stock](https://issuu.com/clearymillwork/docs/vistagrande_stock) Posted Dec. 11, 2017 (Year: 2017).\*

\* cited by examiner

FIG. 1

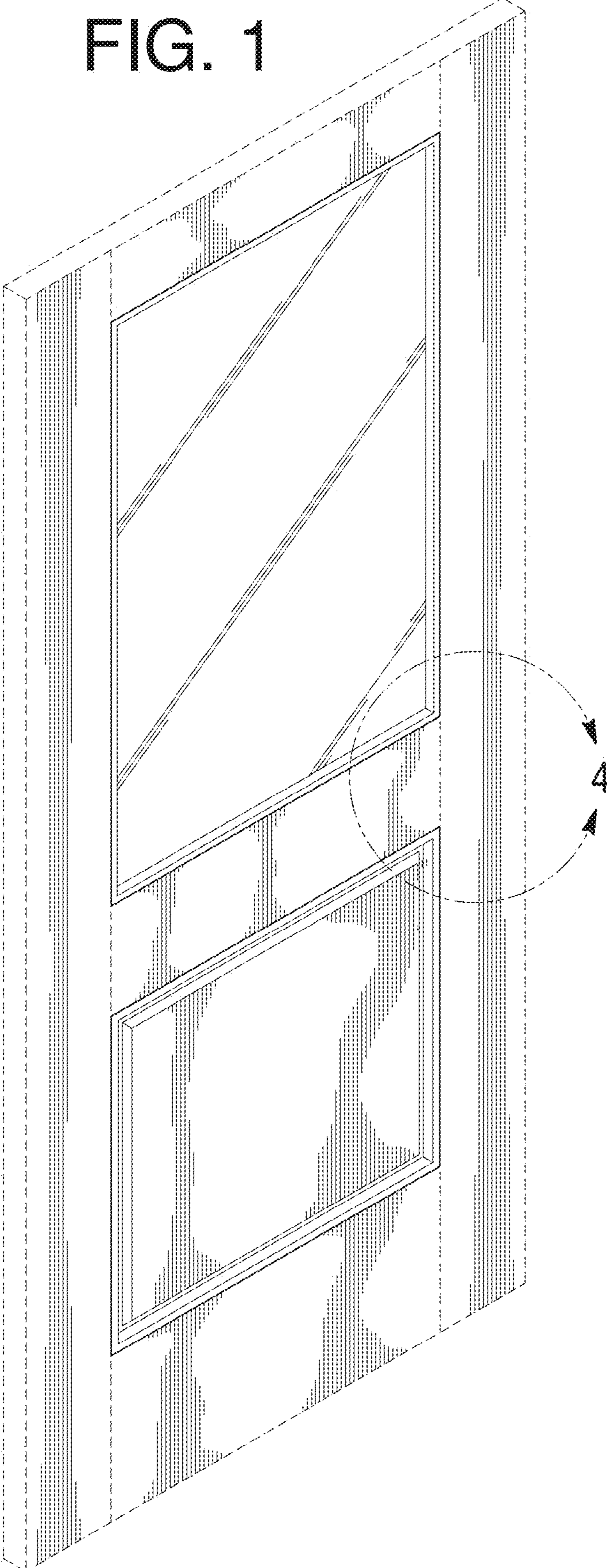


FIG. 2

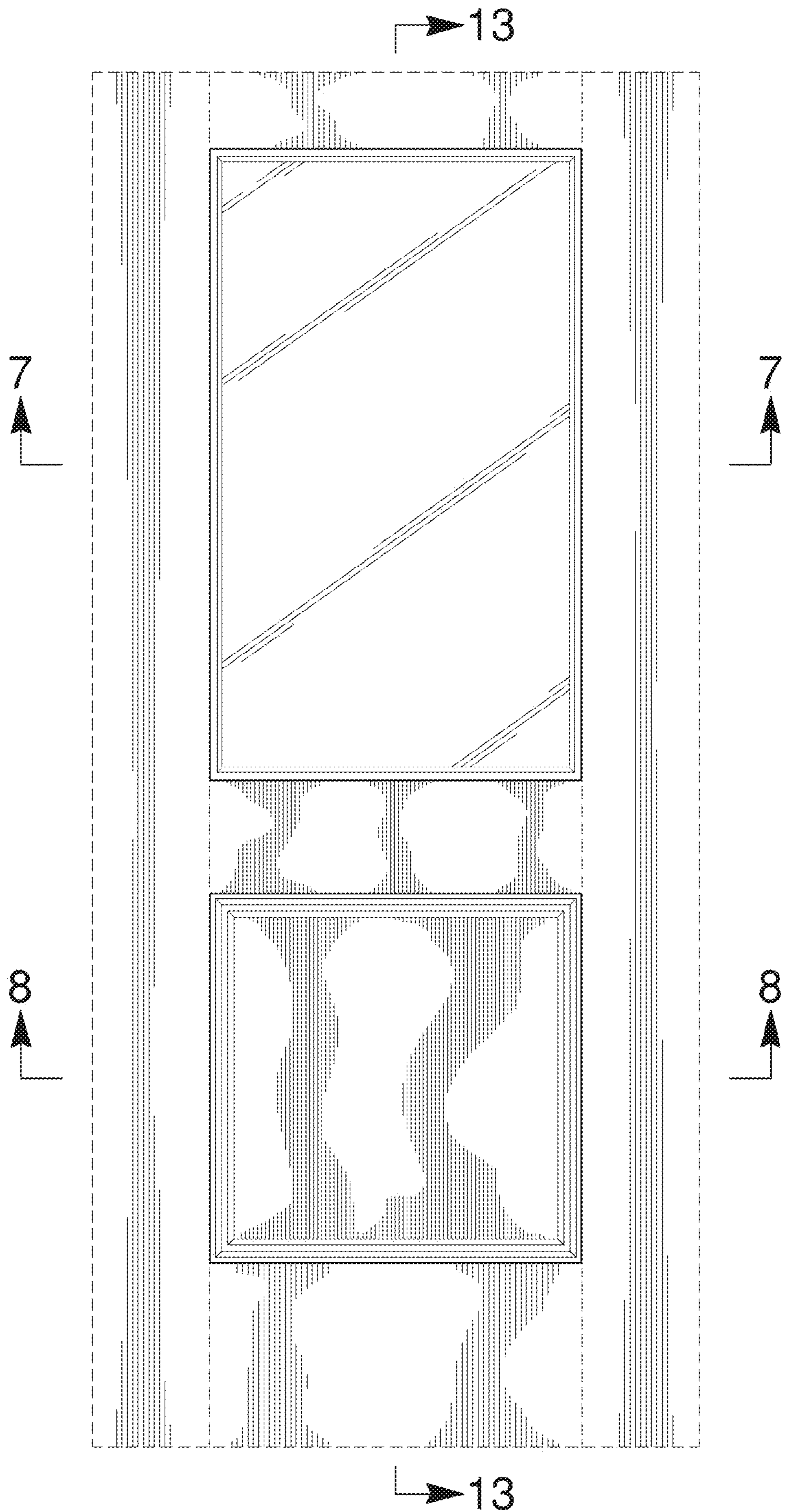


FIG. 3

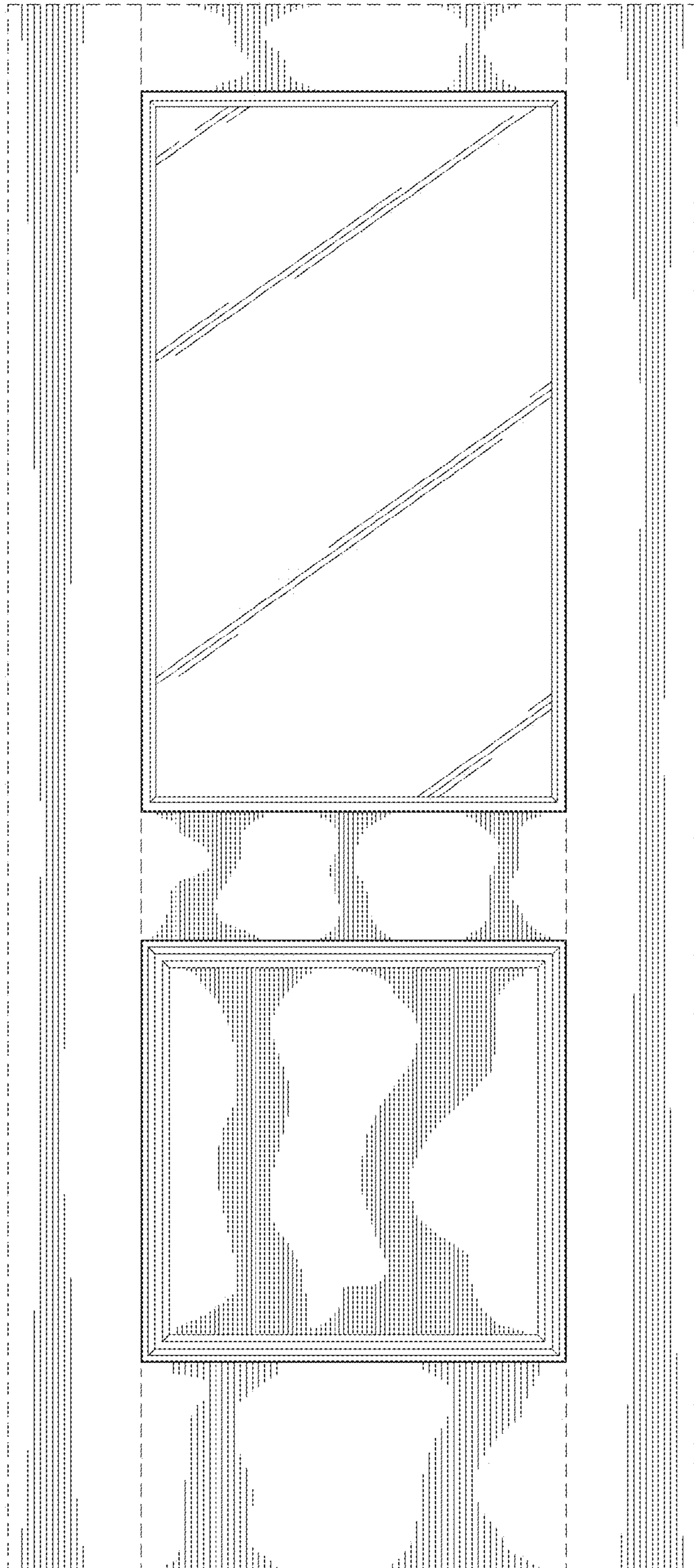


FIG. 4

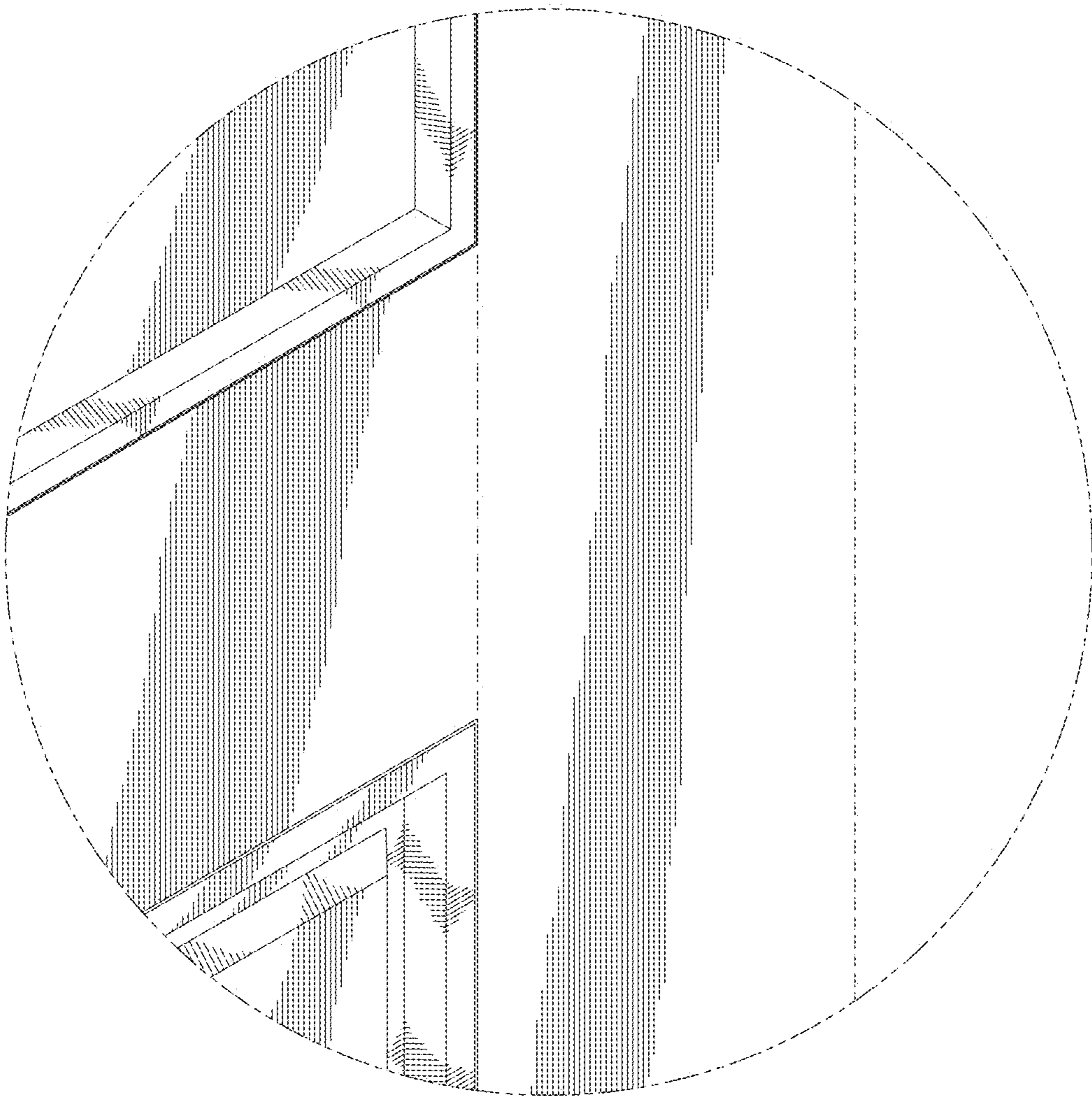


FIG. 5

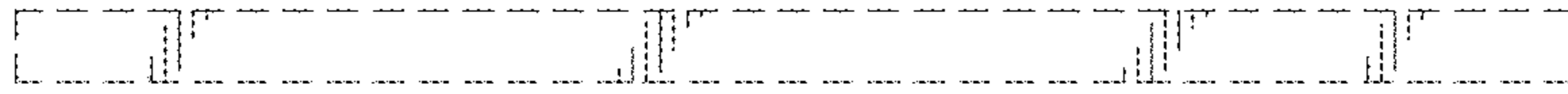


FIG. 6

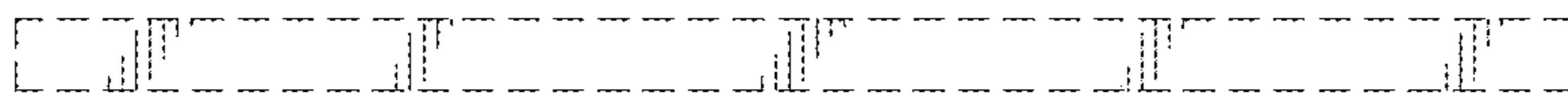


FIG. 7

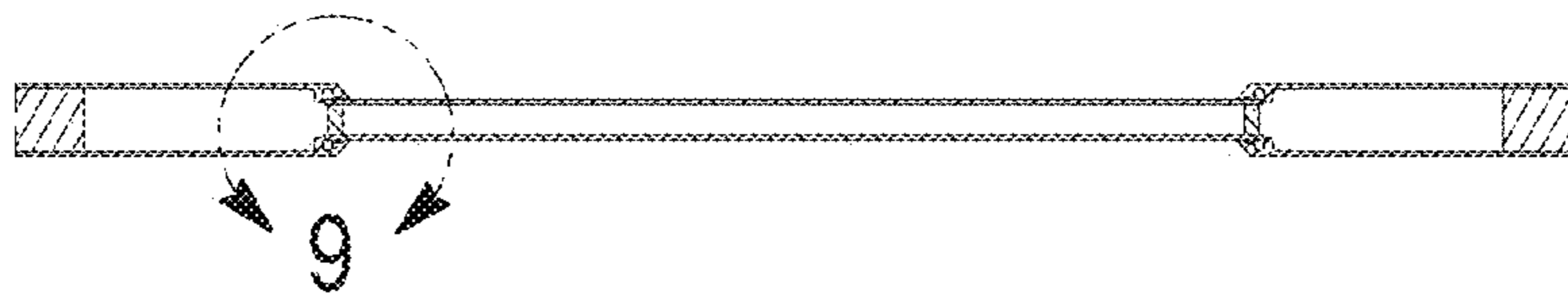
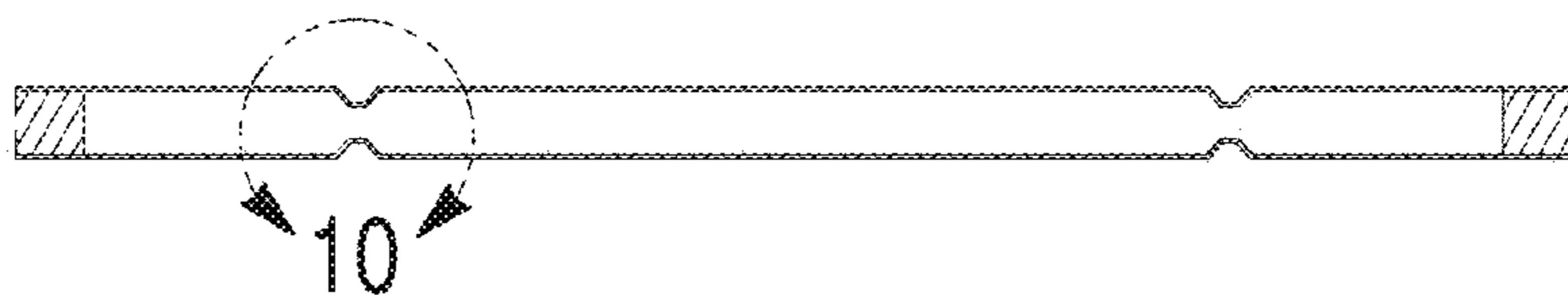


FIG. 8



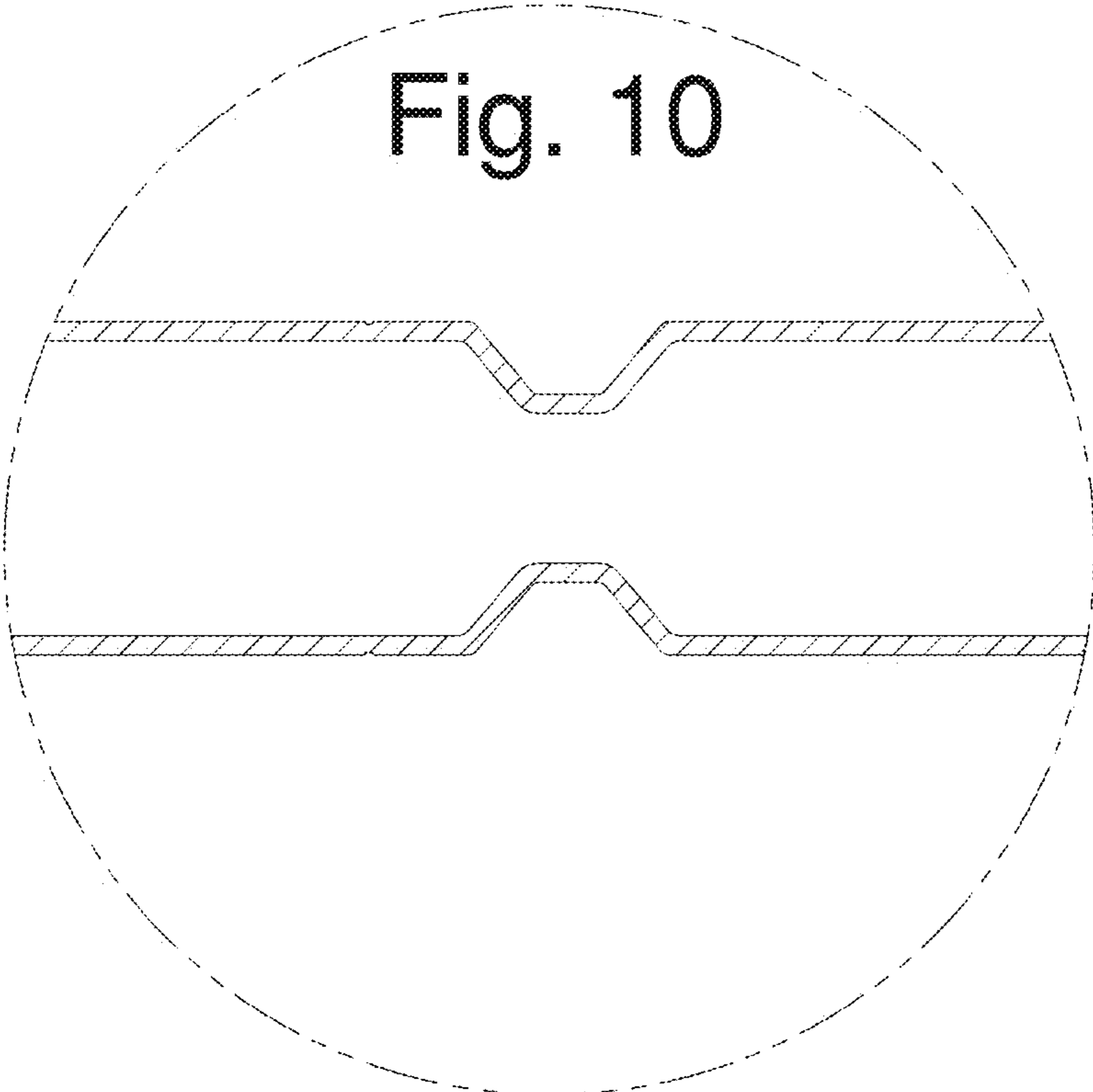
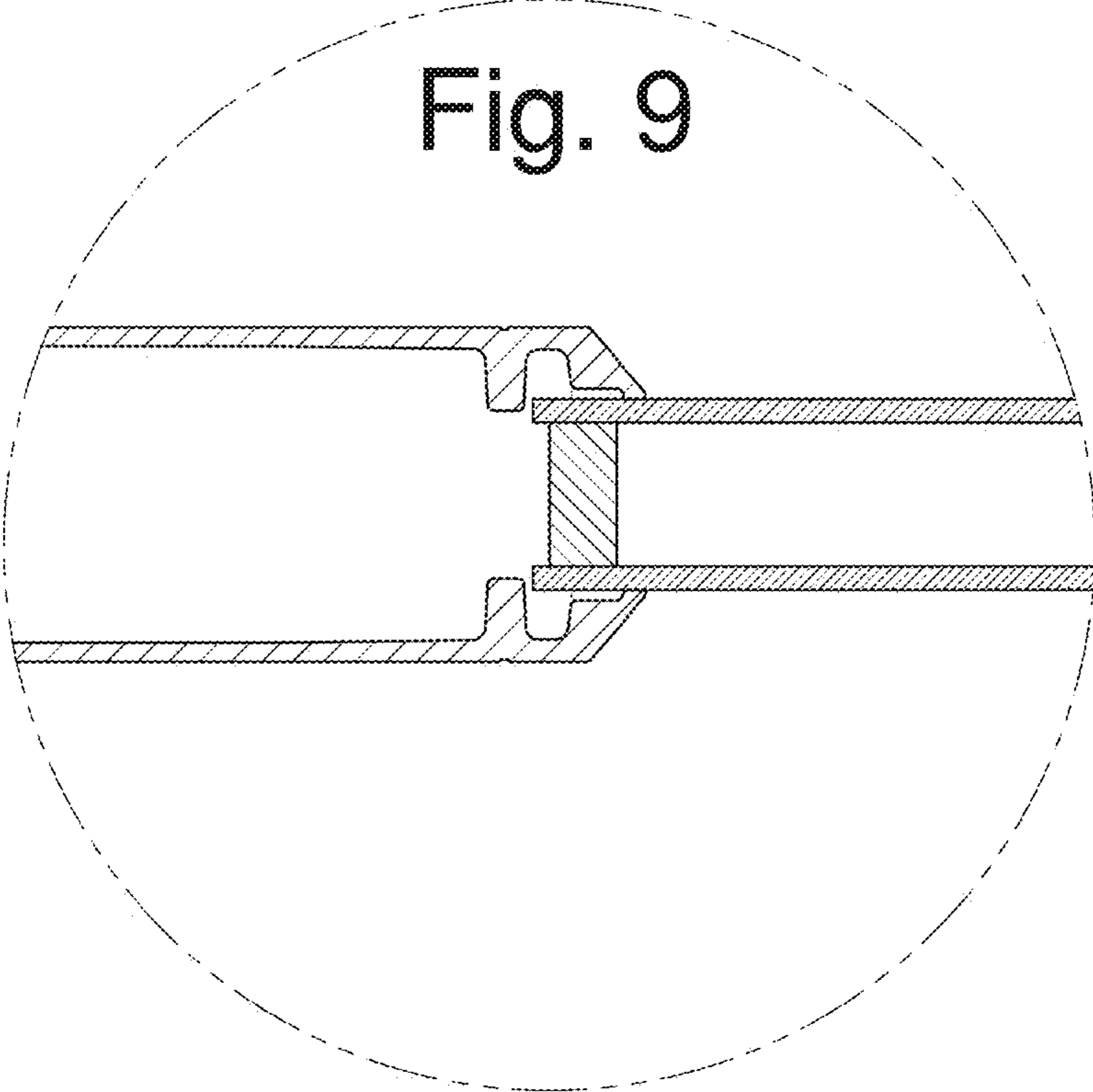




FIG. 11

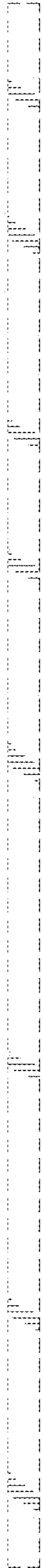
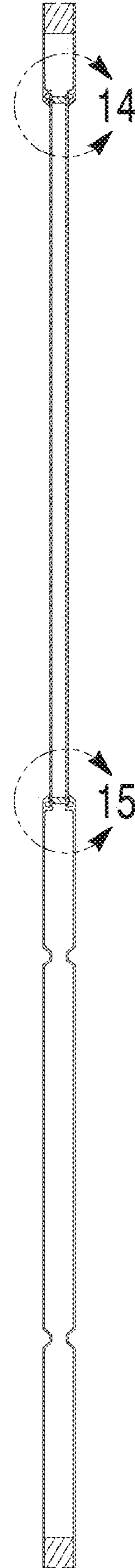


FIG. 12



FIG. 13



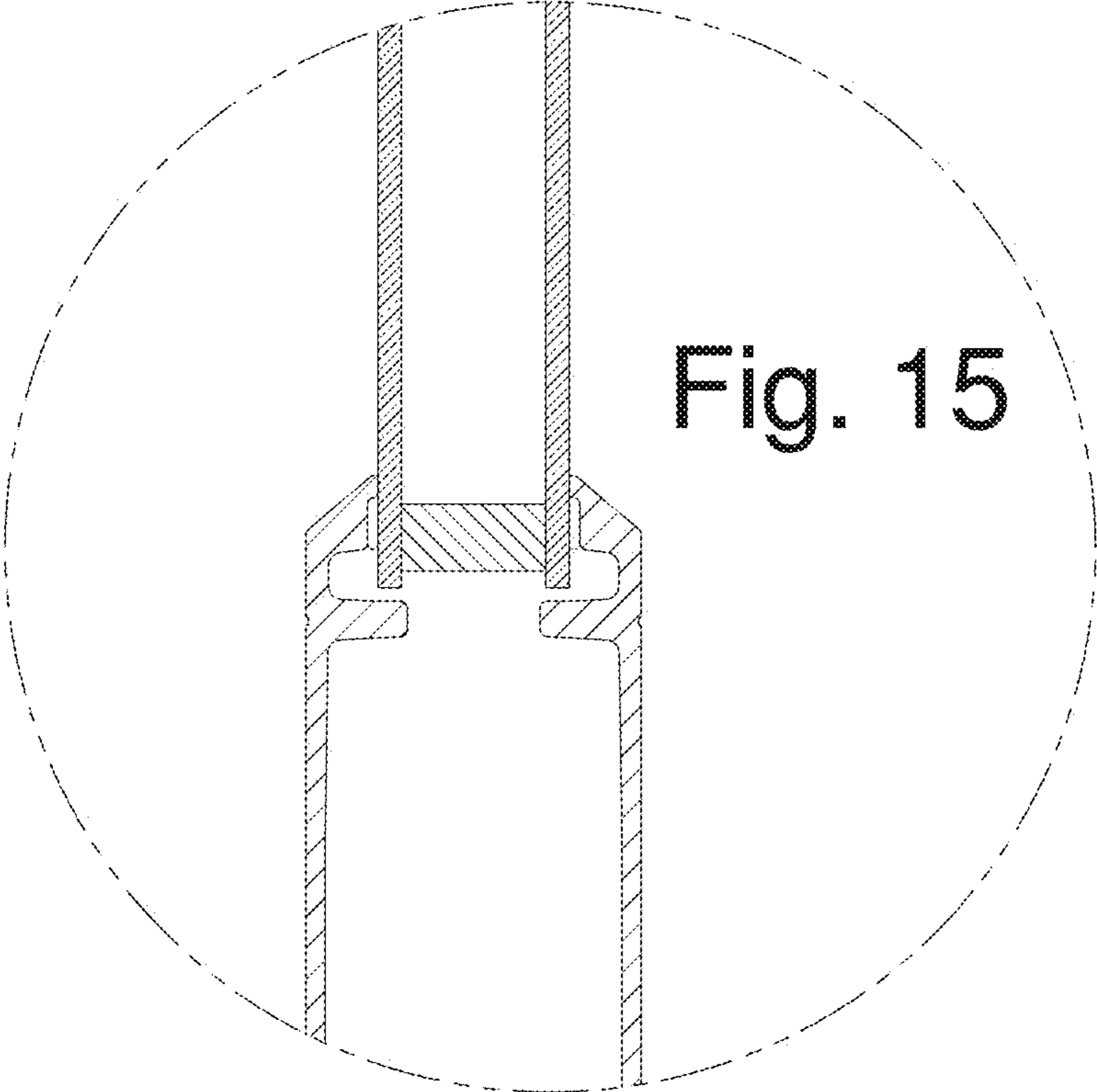
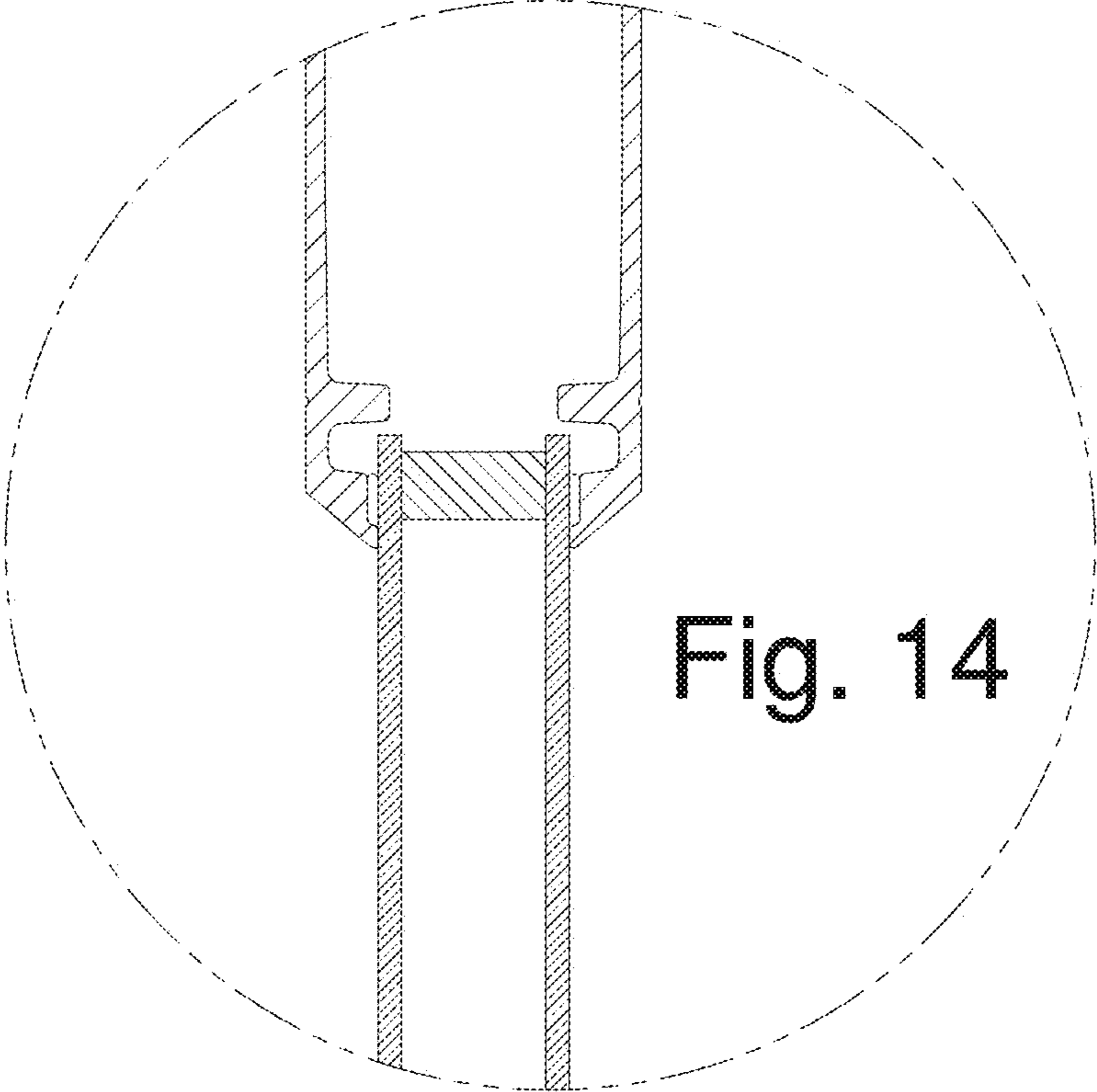


FIG. 16

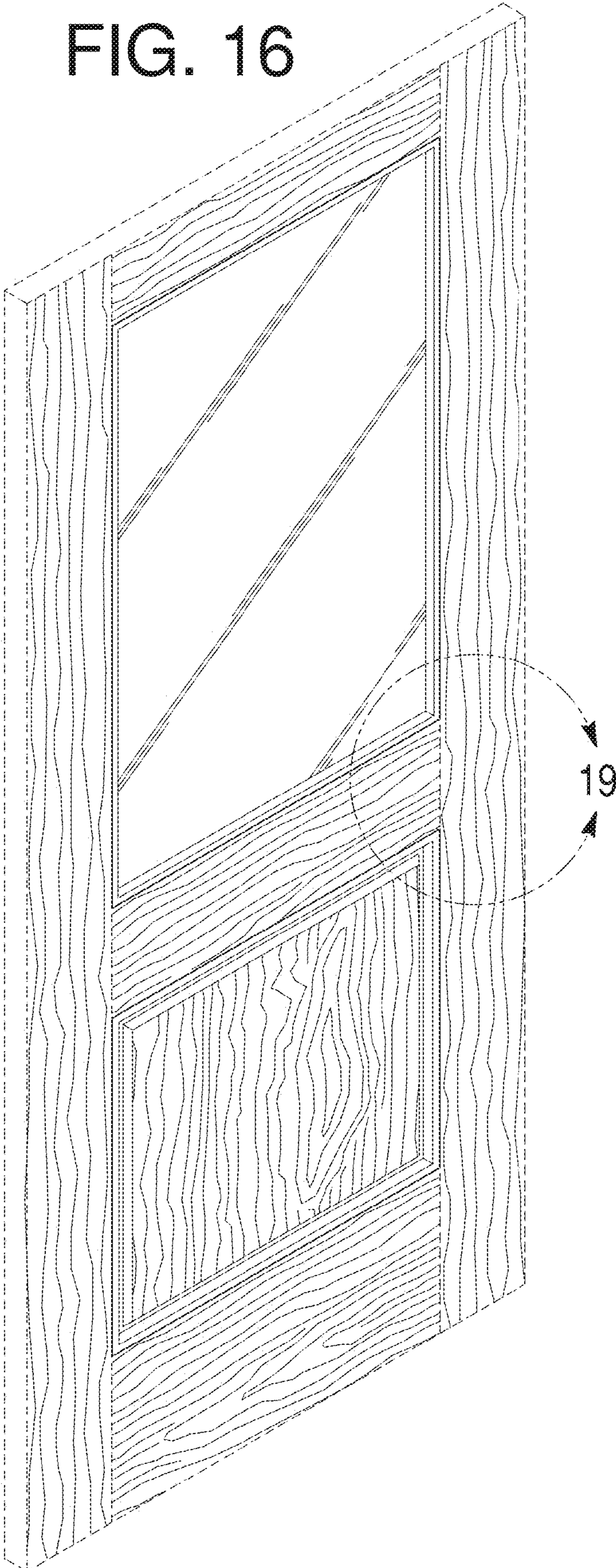


FIG. 17

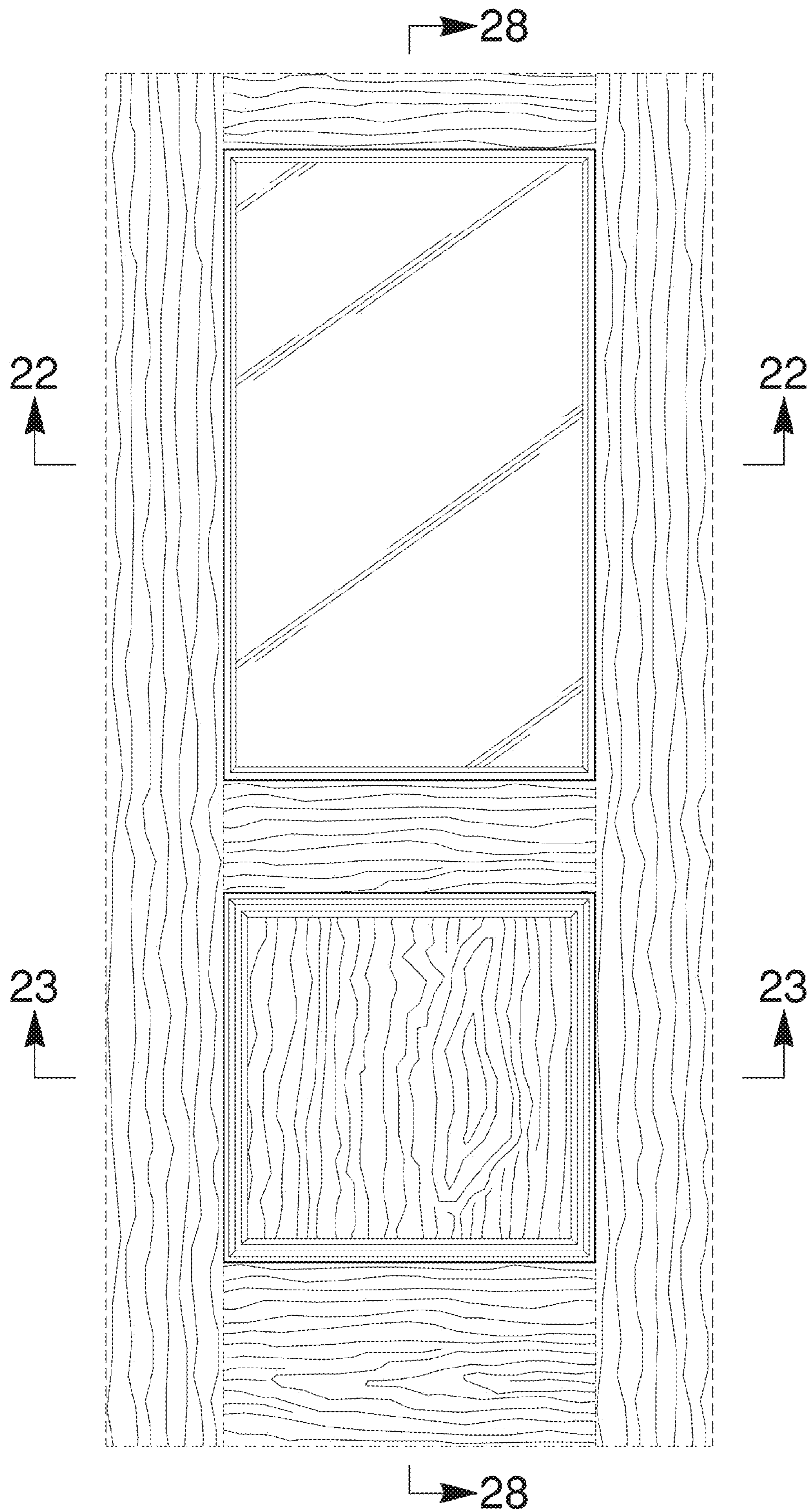


FIG. 18

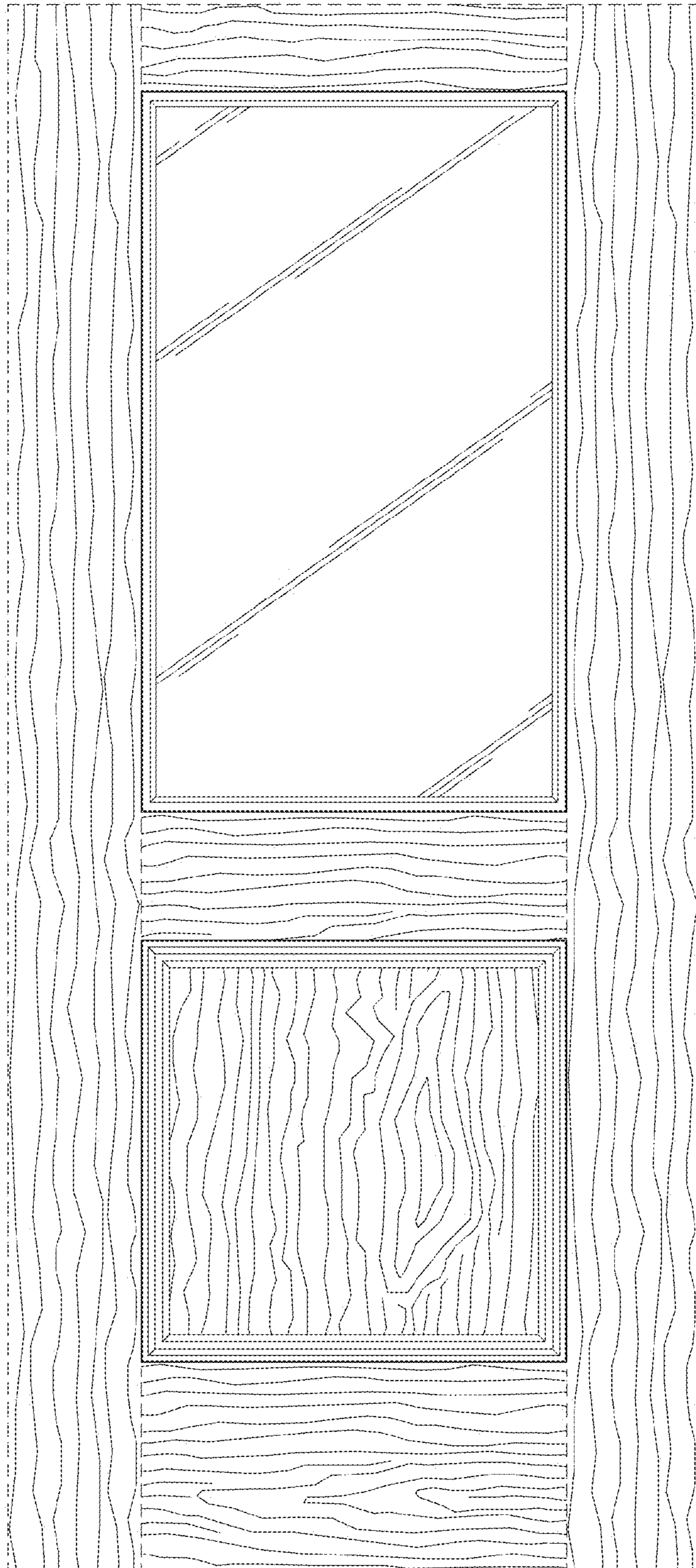


FIG. 19

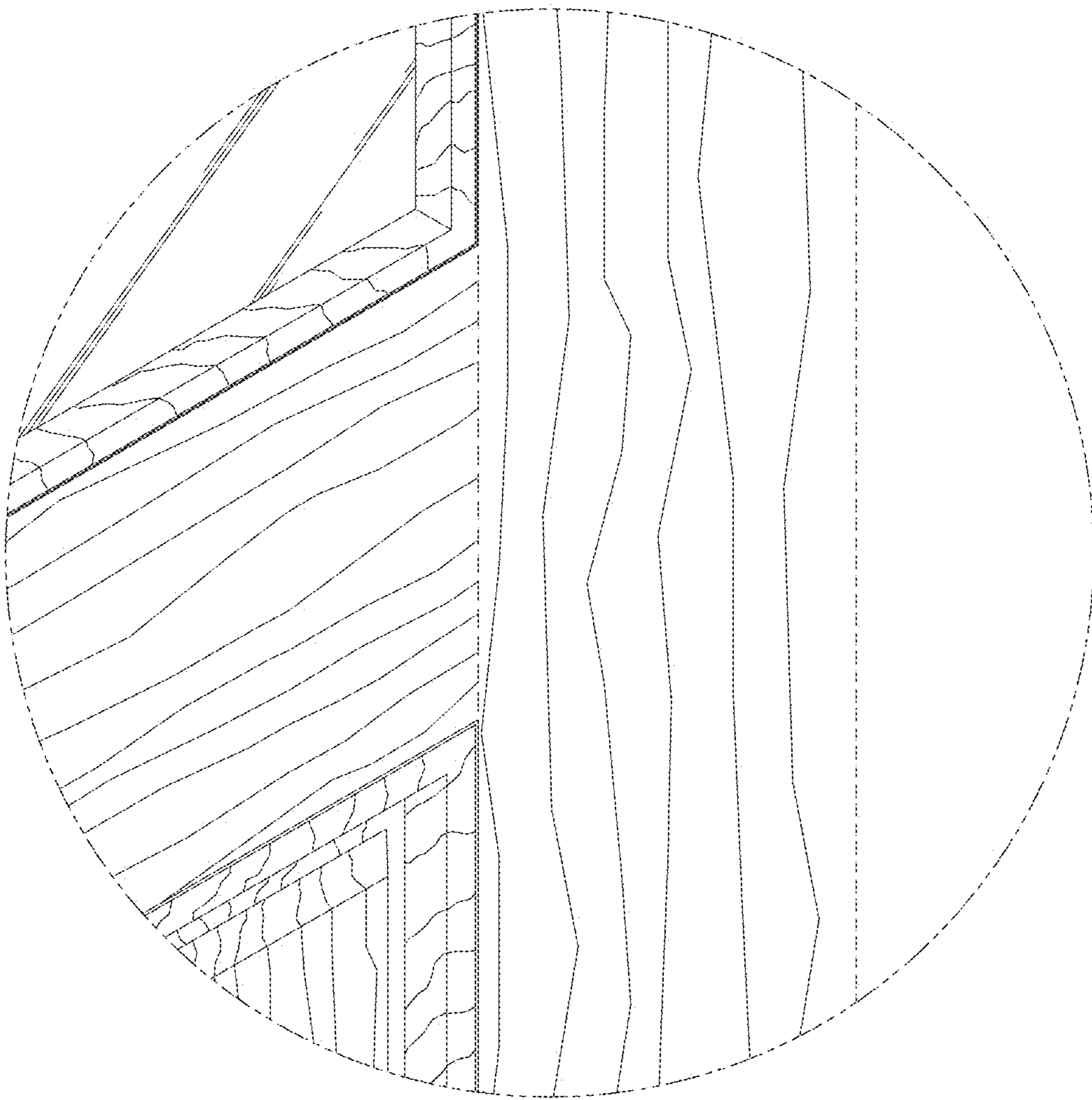


FIG. 20

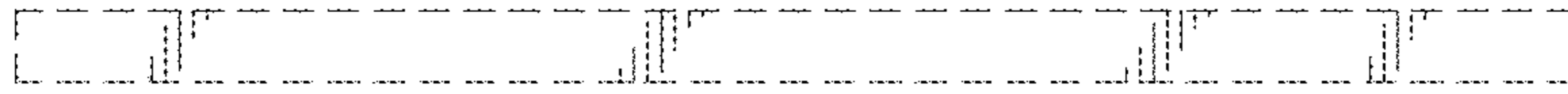


FIG. 21

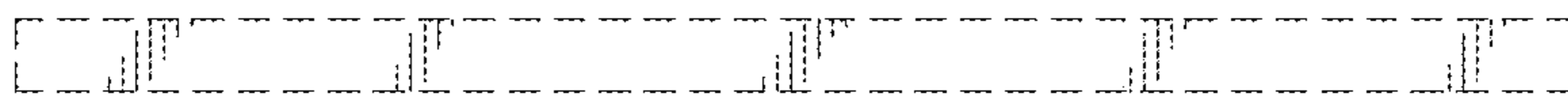


FIG. 22

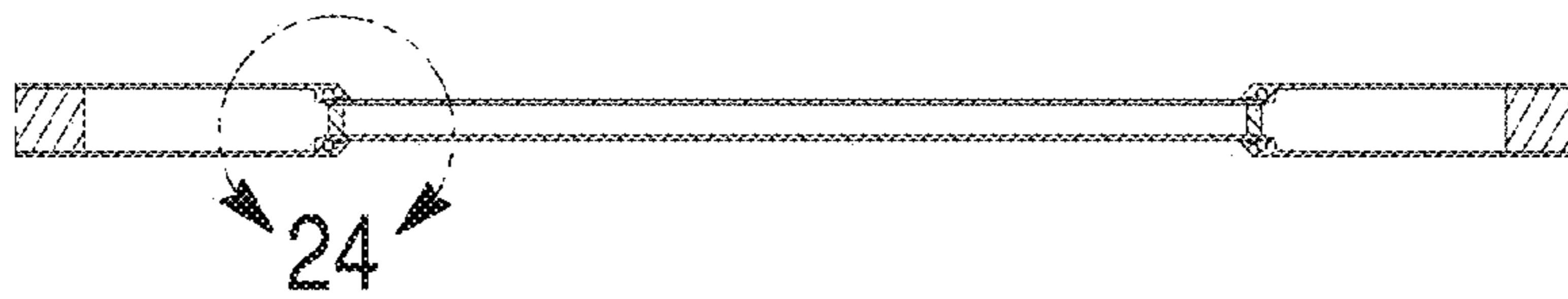


FIG. 23

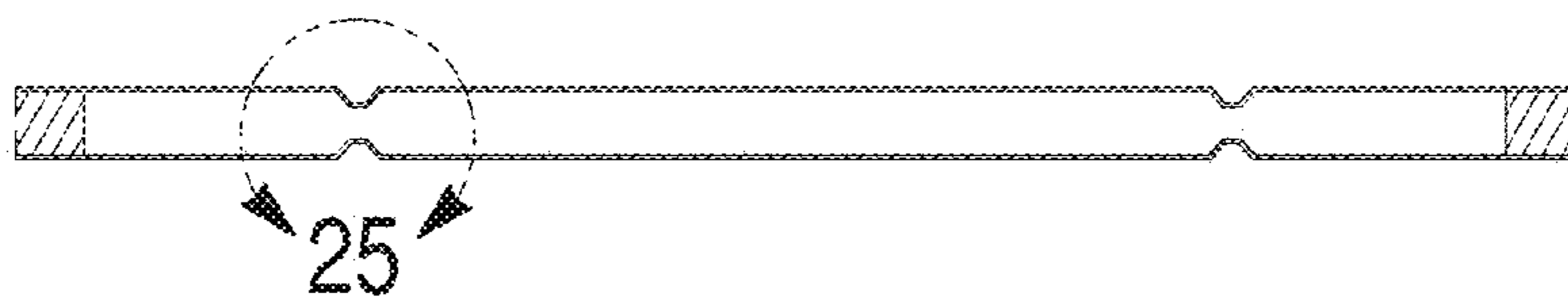


Fig. 24

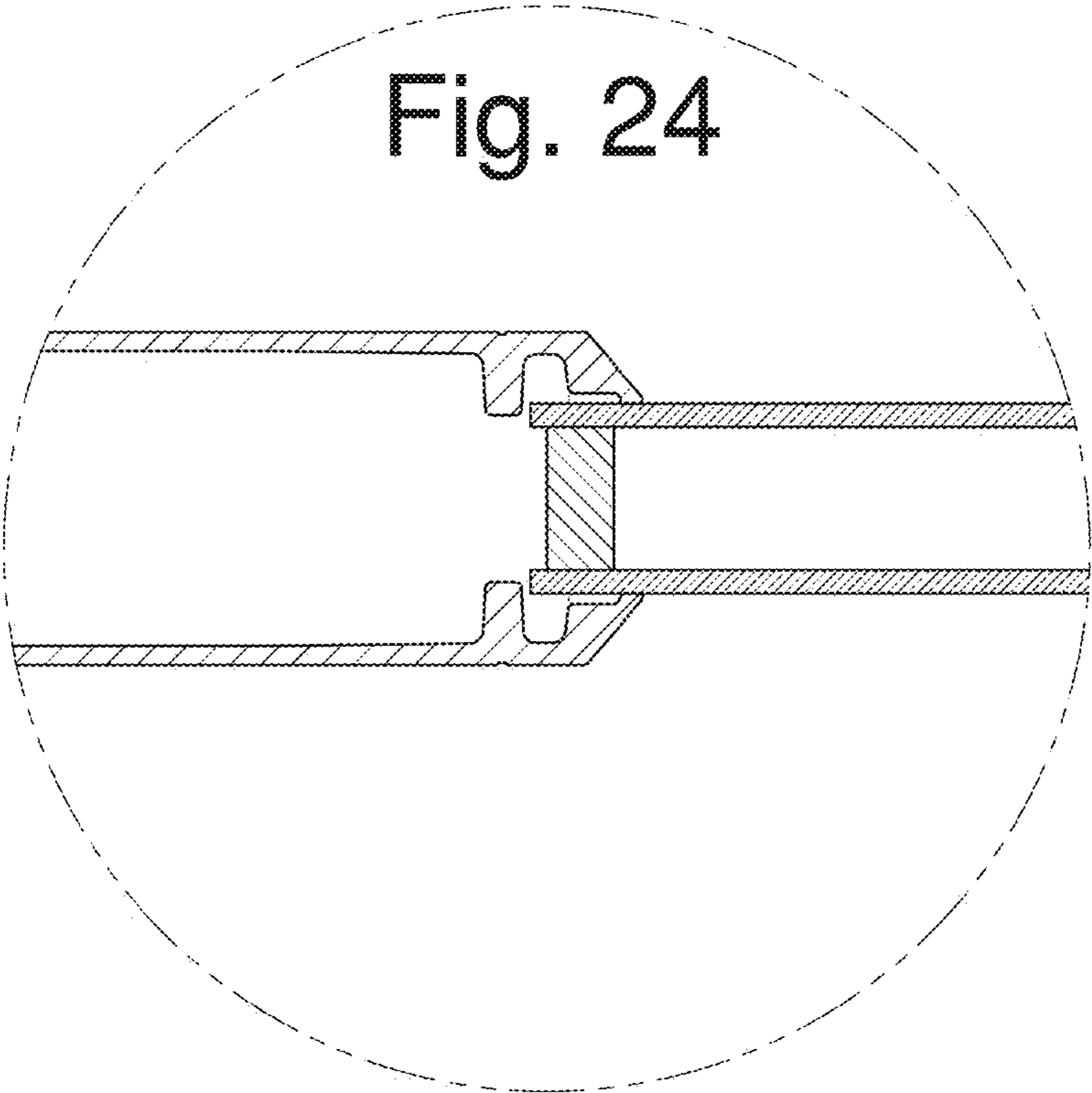


Fig. 25

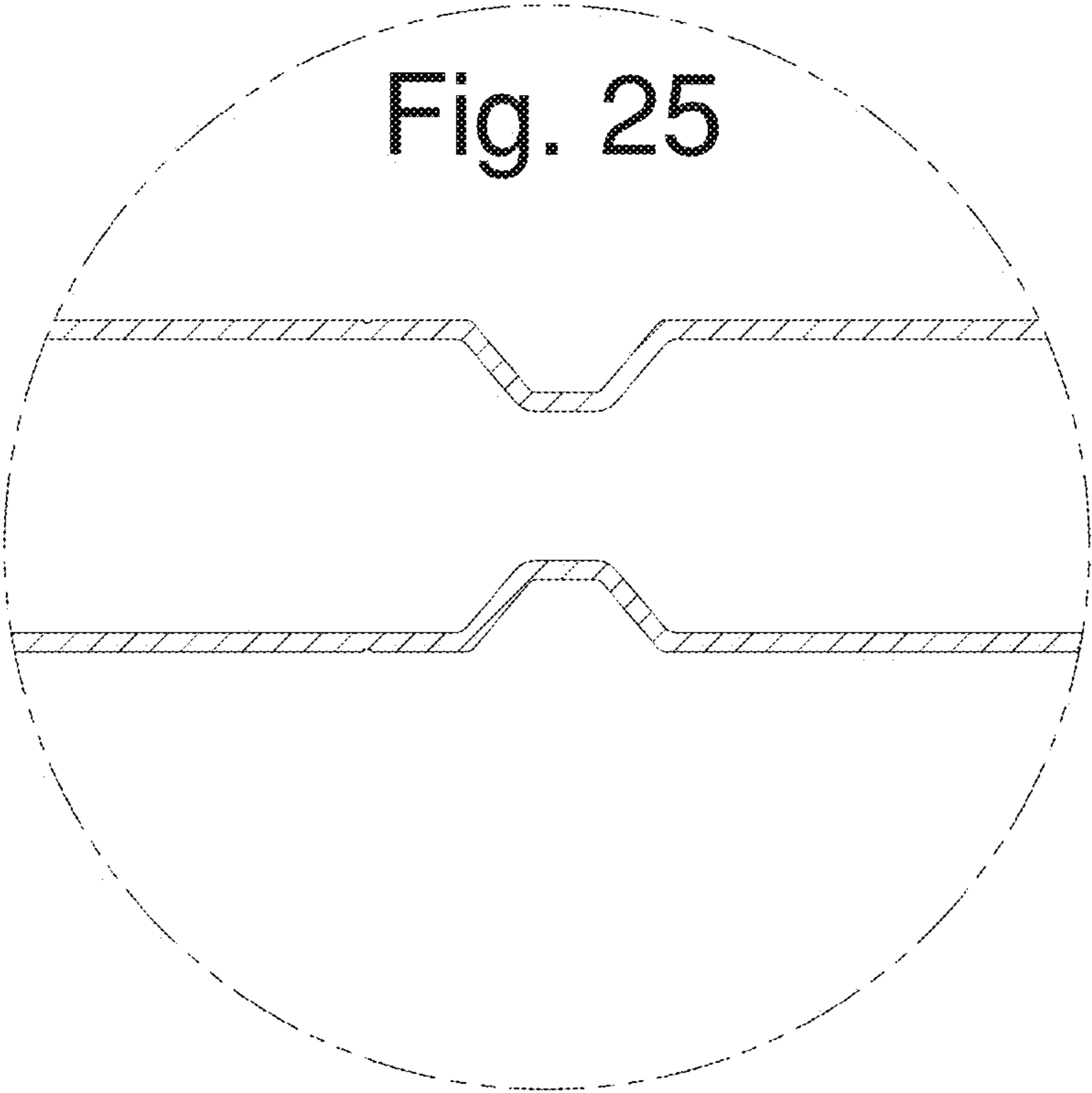




FIG. 26

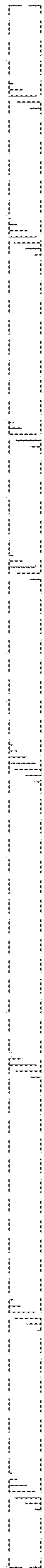


FIG. 27

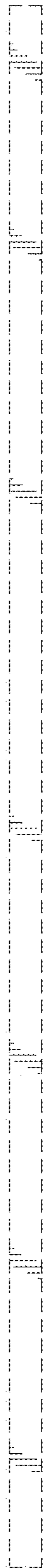
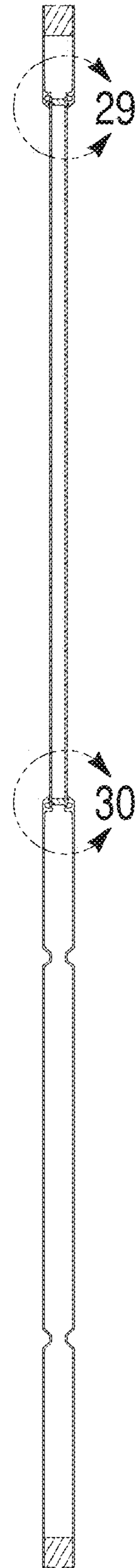
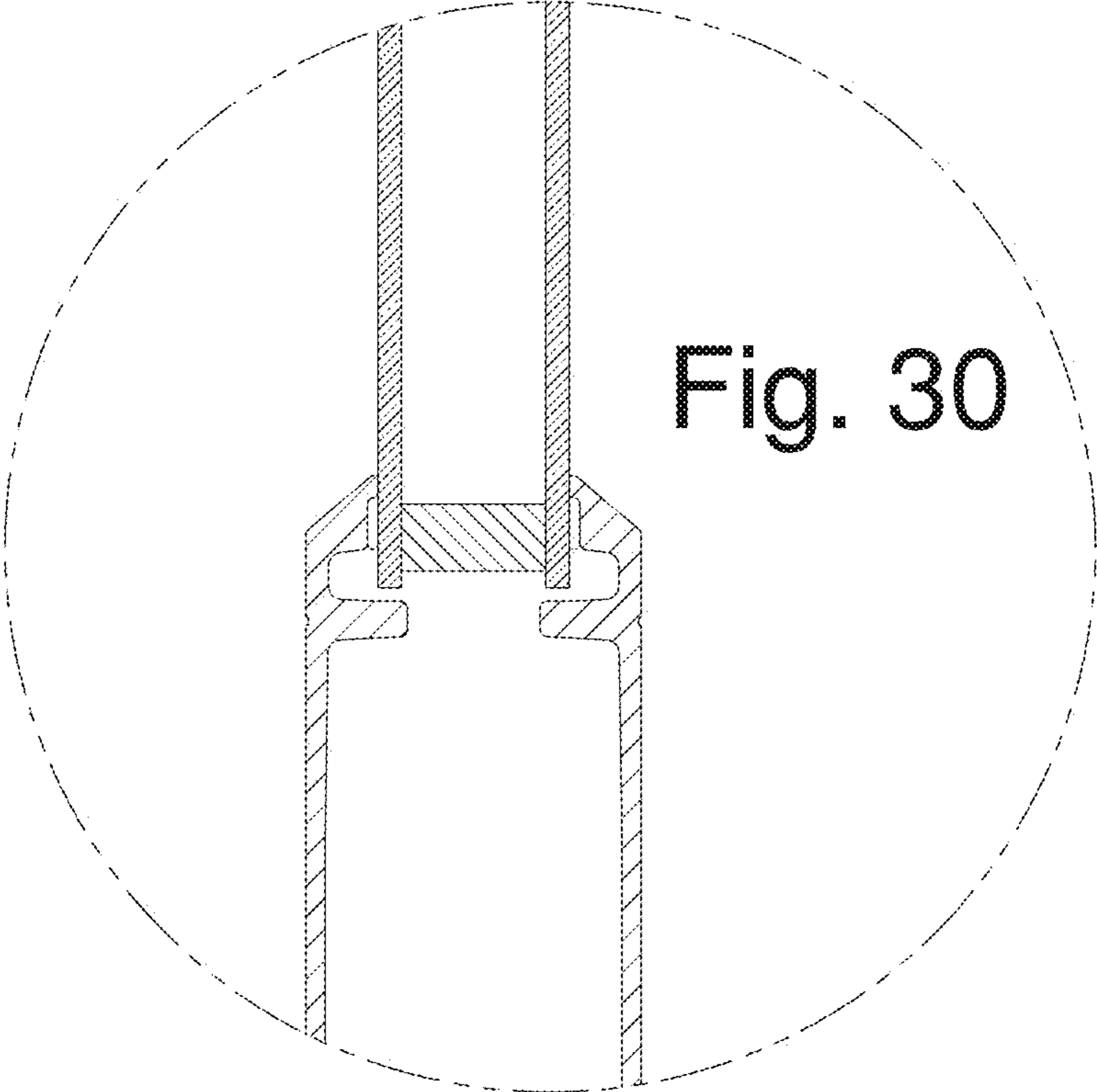
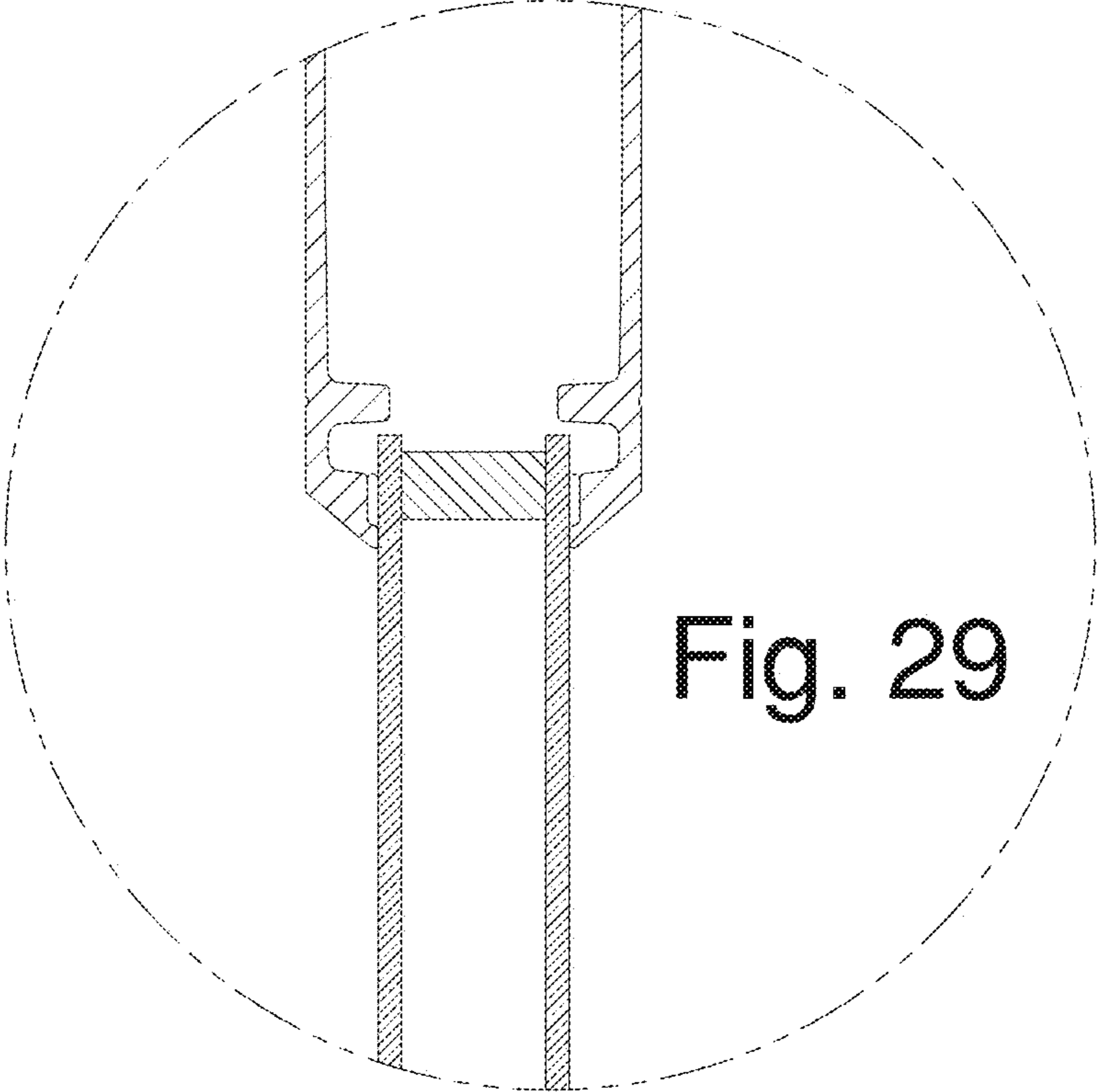


FIG. 28





UNITED STATES PATENT AND TRADEMARK OFFICE  
**CERTIFICATE OF CORRECTION**

PATENT NO. : D908,922 S  
APPLICATION NO. : 29/694457  
DATED : January 26, 2021  
INVENTOR(S) : Timothy D. Gouge et al.

Page 1 of 1

It is certified that error appears in the above-identified patent and that said Letters Patent is hereby corrected as shown below:

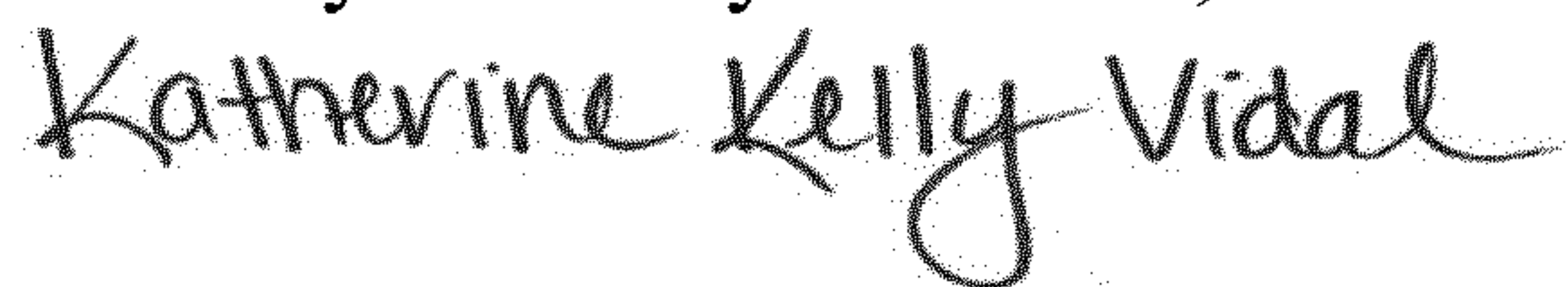
On the Title Page

Item (57)

The description to Fig. 5 should be changed from "FIG. 5 is a bottom plan view;" to --FIG. 5 is a top plan view;-- and

The description to Fig. 20 should be changed from "FIG. 20 is a bottom plan view;" to --FIG. 20 is a top plan view;--.

Signed and Sealed this  
Twenty-first Day of March, 2023



Katherine Kelly Vidal  
*Director of the United States Patent and Trademark Office*