



US00D908912S

(12) **United States Design Patent** (10) **Patent No.:** **US D908,912 S**
Kuster et al. (45) **Date of Patent:** **** Jan. 26, 2021**

(54) **FOUR CHANNEL PIPETTING ARM**

(71) Applicant: **TECAN TRADING AG**, Mannedorf (CH)

(72) Inventors: **Martin Kuster**, Eschenbach (CH); **Roger Volkart**, Bertschikon (CH)

(73) Assignee: **TECAN TRADING AG**, Mannedorf (CH)

(**) Term: **15 Years**

(21) Appl. No.: **29/665,181**

(22) Filed: **Oct. 1, 2018**

(30) **Foreign Application Priority Data**

Apr. 3, 2018 (CH) 144113

(51) **LOC (13) Cl.** **24-02**

(52) **U.S. Cl.**
USPC **D24/222**

(58) **Field of Classification Search**
USPC D15/199; D24/222
CPC B01L 3/54; B01L 3/021; B01L 3/0275;
B01L 9/54; B01L 9/543; B25J 9/1664;
G01D 5/2417; G01F 23/263; G01N
35/0099; G01N 35/1011; G01N 35/1016;
G01N 35/00584; G01N 35/00732
See application file for complete search history.

(56) **References Cited**

U.S. PATENT DOCUMENTS

9,346,063 B2 * 5/2016 Barbee B04B 13/00
D875,968 S * 2/2020 Curry D24/227
2006/0110287 A1 * 5/2006 Kraemer G01N 35/109
422/63
2010/0092342 A1 * 4/2010 Naumann B01L 3/0275
422/400

2010/0163493 A1 * 7/2010 Hein B03C 1/288
210/695
2010/0267771 A1 * 10/2010 Bott G01N 35/0099
514/321
2011/0143947 A1 * 6/2011 Chamberlin G01N 21/6452
506/7
2012/0186367 A1 * 7/2012 D'Amore G01N 35/1016
73/864.11
2013/0288873 A1 * 10/2013 Barbee C12Q 1/6806
494/9
2014/0050637 A1 * 2/2014 Giovanoli G01N 1/286
422/551
2014/0193826 A1 * 7/2014 Gajewski G01N 35/028
435/6.12
2014/0216059 A1 * 8/2014 Moore C12M 45/20
62/3.6
2017/0225159 A1 * 8/2017 Wang G01N 35/1002
2019/0314808 A1 * 10/2019 Wilmer G01N 35/1074
(Continued)

Primary Examiner — Patricia A Palasik

(74) *Attorney, Agent, or Firm* — Notaro, Michalos & Zaccaria P.C.

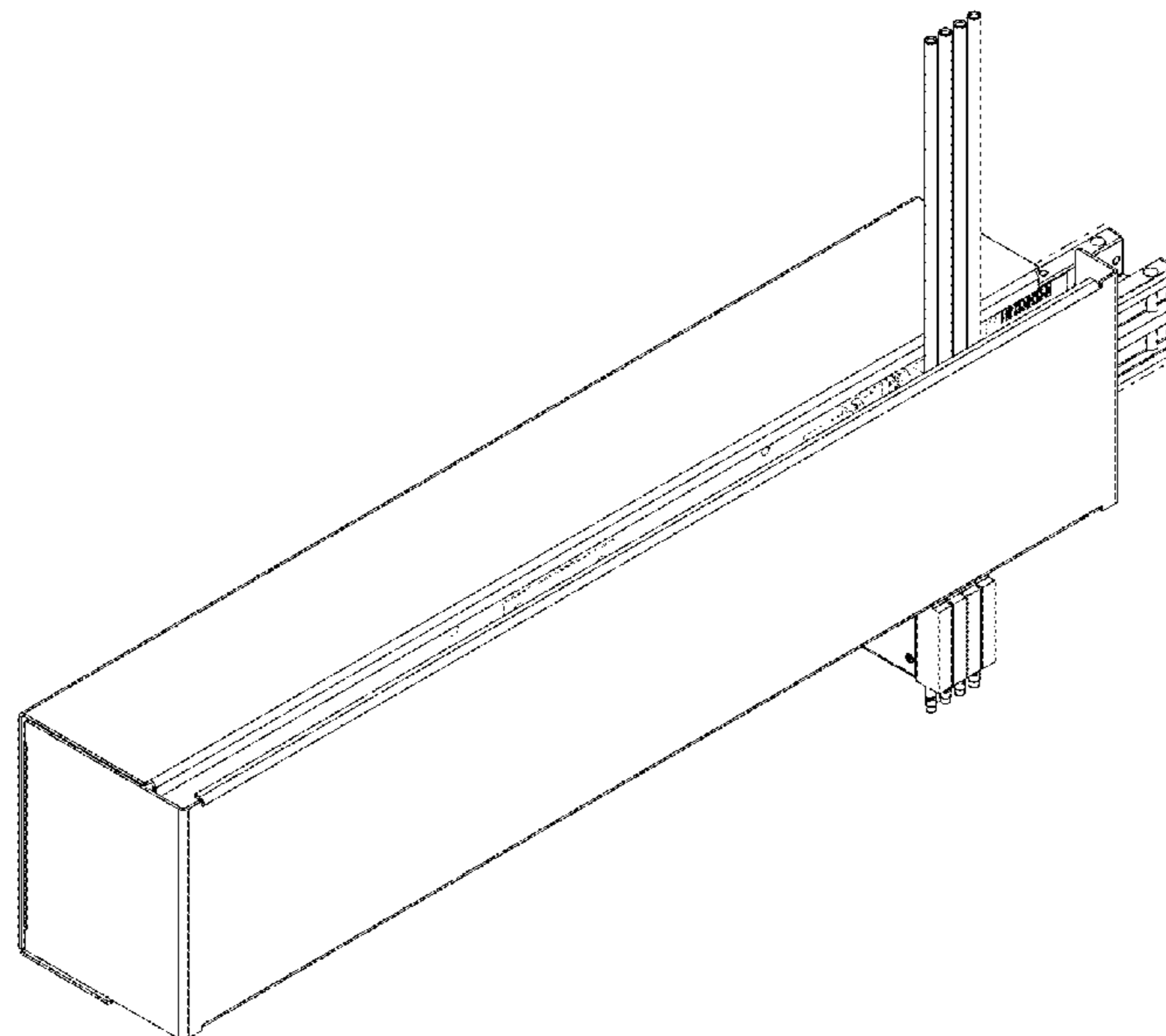
(57) **CLAIM**

The ornamental design for a four channel pipetting arm, as shown and described.

DESCRIPTION

FIG. 1 is a front, bottom, left perspective view of a four channel pipetting arm showing our design therefor;
FIG. 2 is a left side elevational view thereof;
FIG. 3 is a right side elevational view thereof;
FIG. 4 is a front elevational view thereof;
FIG. 5 is a rear elevational view thereof;
FIG. 6 is a bottom plan view thereof;
FIG. 7 is a top plan view thereof; and,
FIG. 8 is a rear, top, left perspective view thereof.
The broken lines in the drawings depict portions of the four channel pipetting arm and form no part of the claimed design.

1 Claim, 8 Drawing Sheets



(56)

References Cited

U.S. PATENT DOCUMENTS

2020/0030759 A1* 1/2020 Stiver B01F 11/0017
2020/0132534 A1* 4/2020 Luedemann B01L 3/0217

* cited by examiner

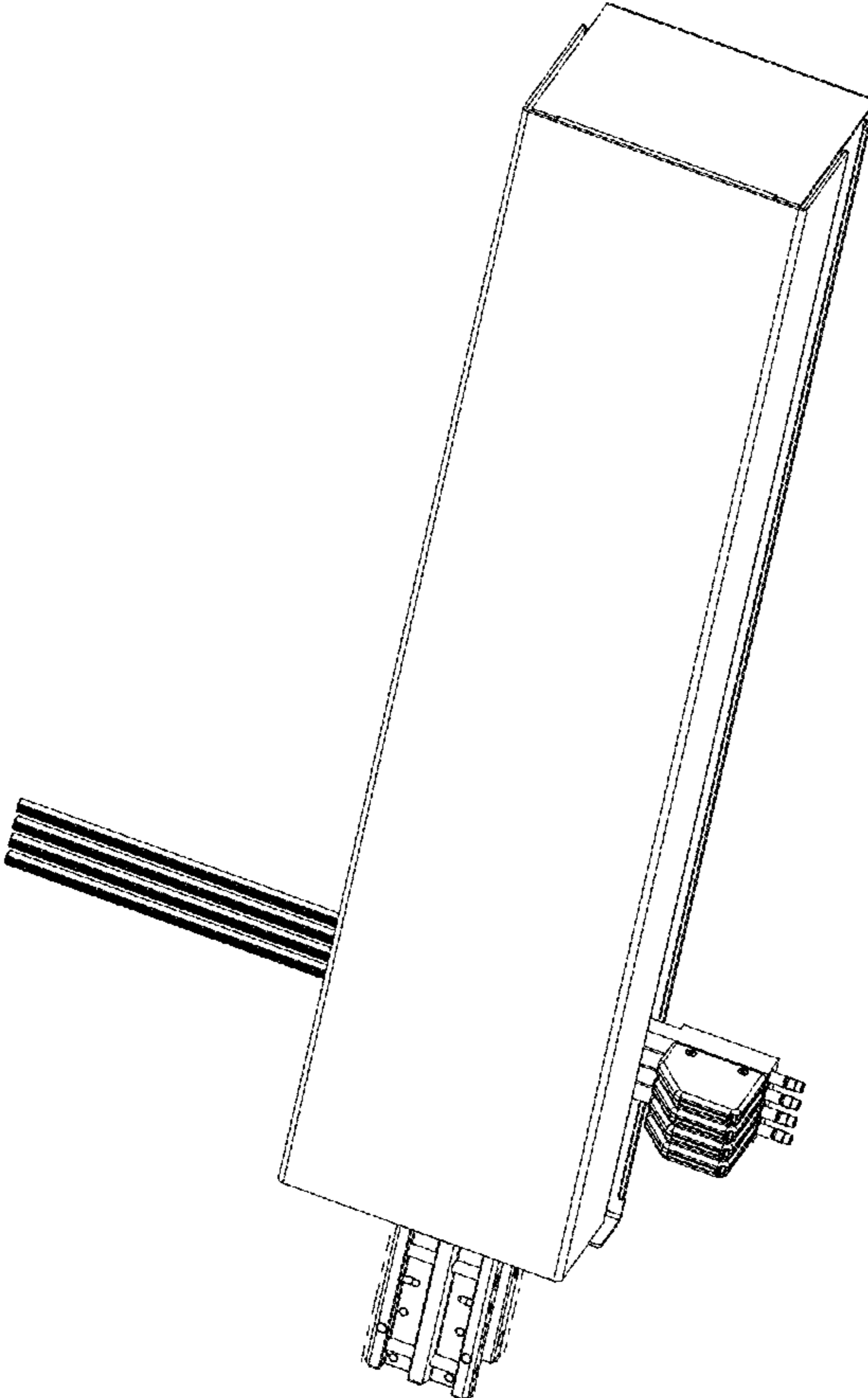


FIG. 1

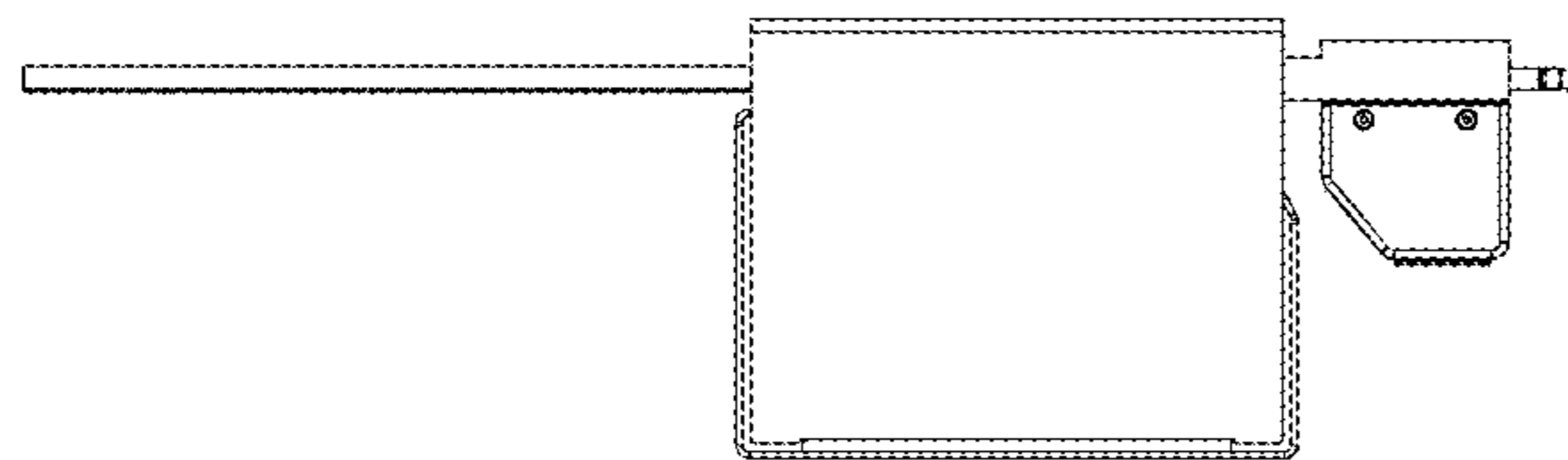


FIG. 2

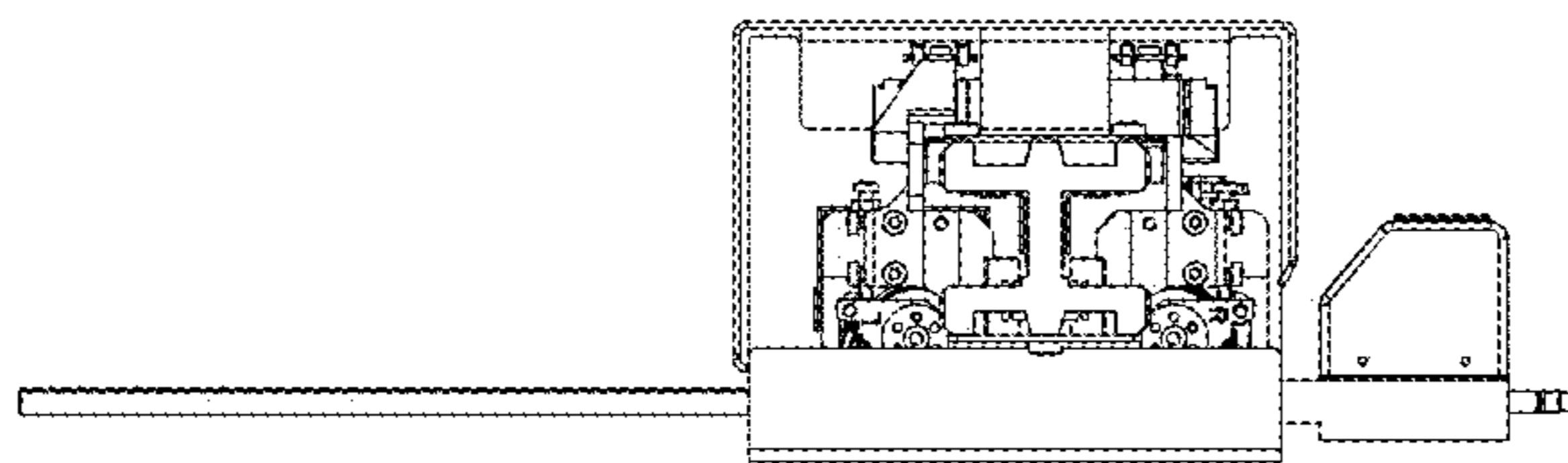


FIG. 3

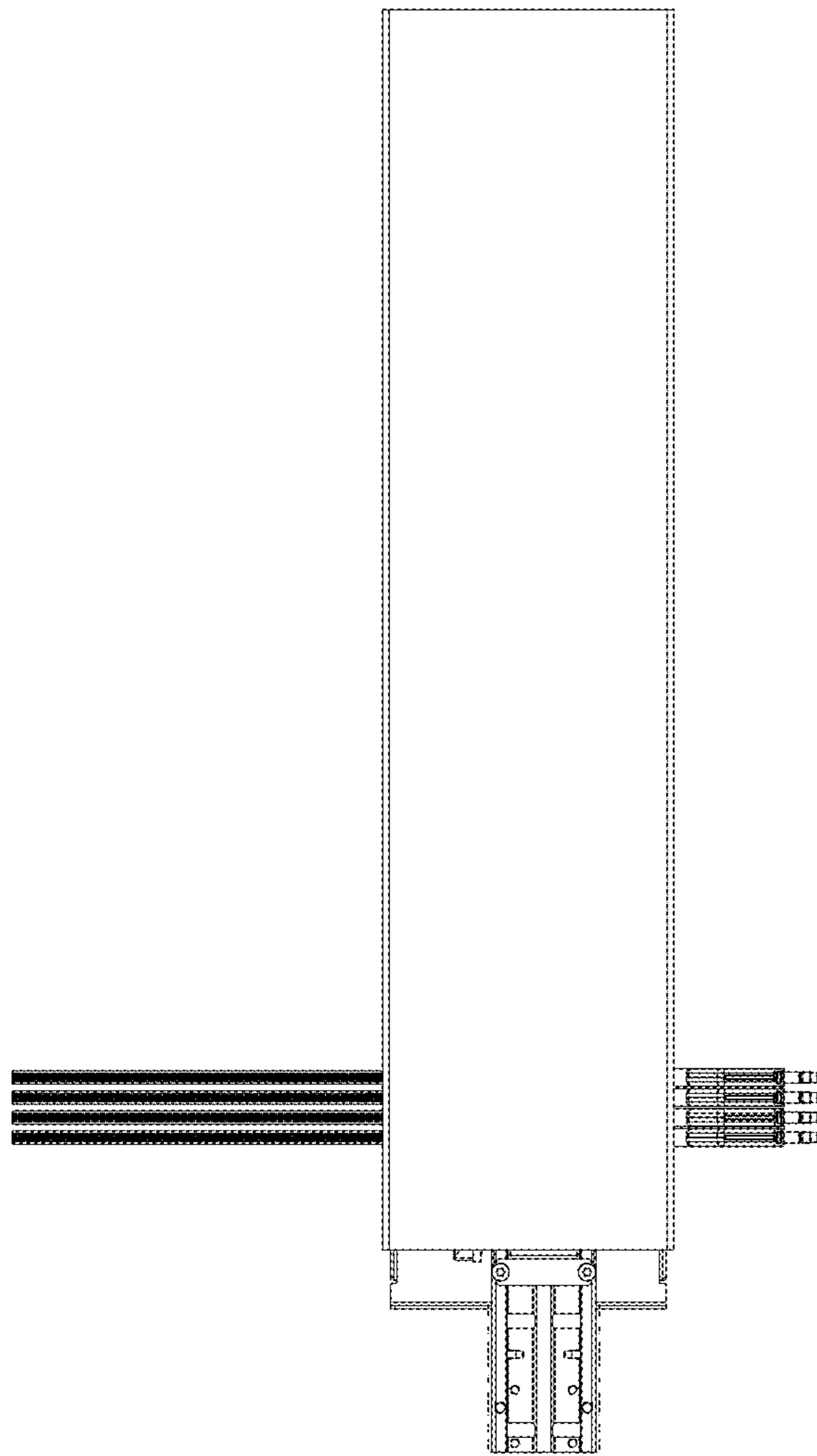


FIG. 4

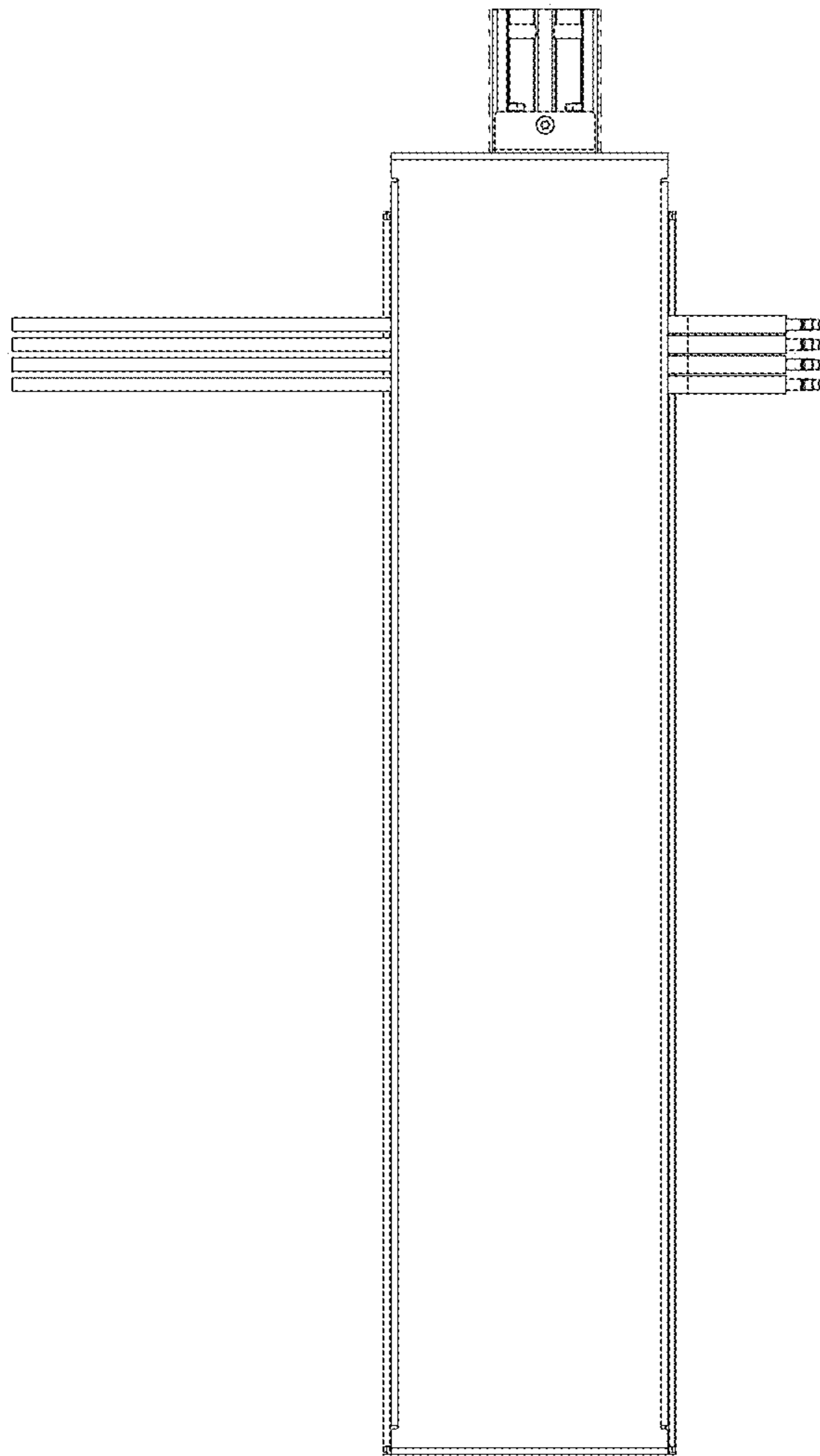


FIG. 5

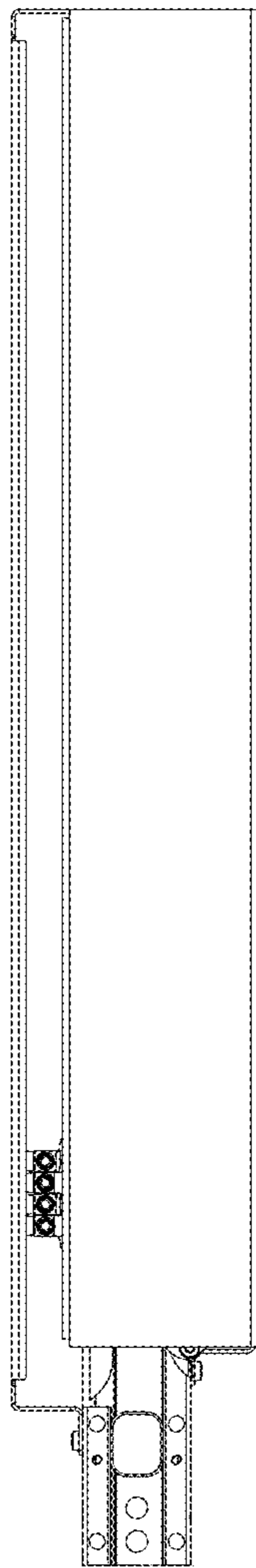


FIG. 6

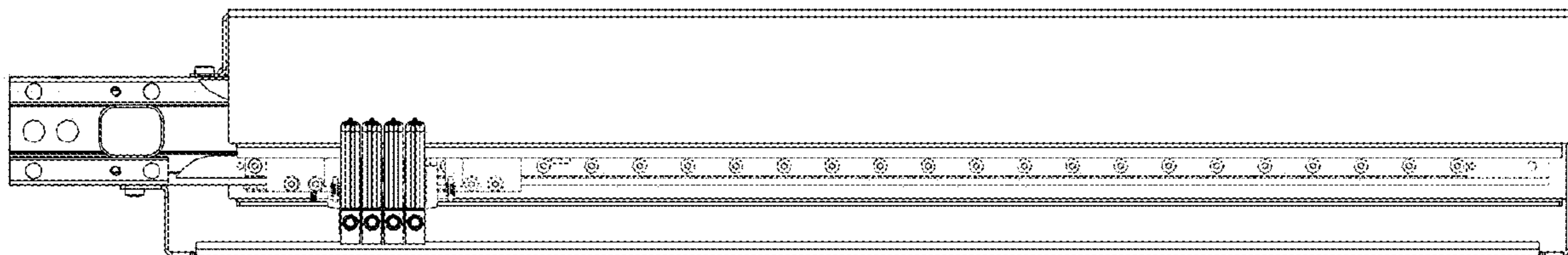


FIG. 7

