



US00D908908S

(12) **United States Design Patent** (10) **Patent No.:** **US D908,908 S**
Xu (45) **Date of Patent:** **** Jan. 26, 2021**

(54) **DEEP TISSUE MASSAGER**
(71) Applicant: **YONG KANG AIJIU INDUSTRIAL & TRADE CO., LTD**, Zhejiang (CN)
(72) Inventor: **Lijun Xu**, Zhejiang (CN)
(73) Assignee: **YONG KANG AIJIU INDUSTRIAL & TRADE CO., LTD**, Yongkang (CN)

D879,986 S * 3/2020 Wersland D24/214
D880,714 S * 4/2020 Wersland D24/215
D880,715 S * 4/2020 Wersland D24/215
D880,716 S * 4/2020 Wersland D24/215
D884,205 S * 5/2020 Zhuang D24/215
D884,207 S * 5/2020 Ma D24/215
D884,915 S * 5/2020 Wersland D24/215
D885,601 S * 5/2020 Wersland D24/215
D886,317 S * 6/2020 Marton D24/215

(Continued)

(**) Term: **15 Years**

(21) Appl. No.: **29/720,462**

(22) Filed: **Jan. 13, 2020**

(30) **Foreign Application Priority Data**

Dec. 4, 2019 (CN) 2019 3 0675448

(51) **LOC (13) Cl.** **28-03**

(52) **U.S. Cl.**
USPC **D24/215**

(58) **Field of Classification Search**
USPC D24/200, 211, 212, 213, 214, 215;
D8/14.1; D30/160
CPC A61H 1/00; A61H 23/006; A61H 39/04;
A61H 23/00
See application file for complete search history.

(56) **References Cited**

U.S. PATENT DOCUMENTS

D289,968 S * 5/1987 Somers D8/14.1
D478,385 S * 8/2003 Dirks
D553,252 S * 10/2007 Masuda D24/214
D847,364 S * 4/2019 Lee D24/215
10,314,762 B1 * 6/2019 Marton A61H 23/004
D855,822 S * 8/2019 Marton D24/215
D866,790 S * 11/2019 Lee D24/215
D872,869 S * 1/2020 Lu D24/215
D873,432 S * 1/2020 Duan
D874,015 S * 1/2020 Marton D24/215
D875,961 S * 2/2020 Li D24/211
D879,985 S * 3/2020 Wersland D24/214

OTHER PUBLICATIONS

Amazon, "Deep Tissue Massage Gun", Aug. 11, 2020. https://www.amazon.com/Deep-Tissue-Massage-Gun-Athletes/dp/B088B6M726/ref=cm_cr_ar_p_d_product_top?ie=UTF8. Shown on p. 1. (Year: 2020).*

(Continued)

Primary Examiner — Cynthia Ramirez
Assistant Examiner — Michael A Maharajh

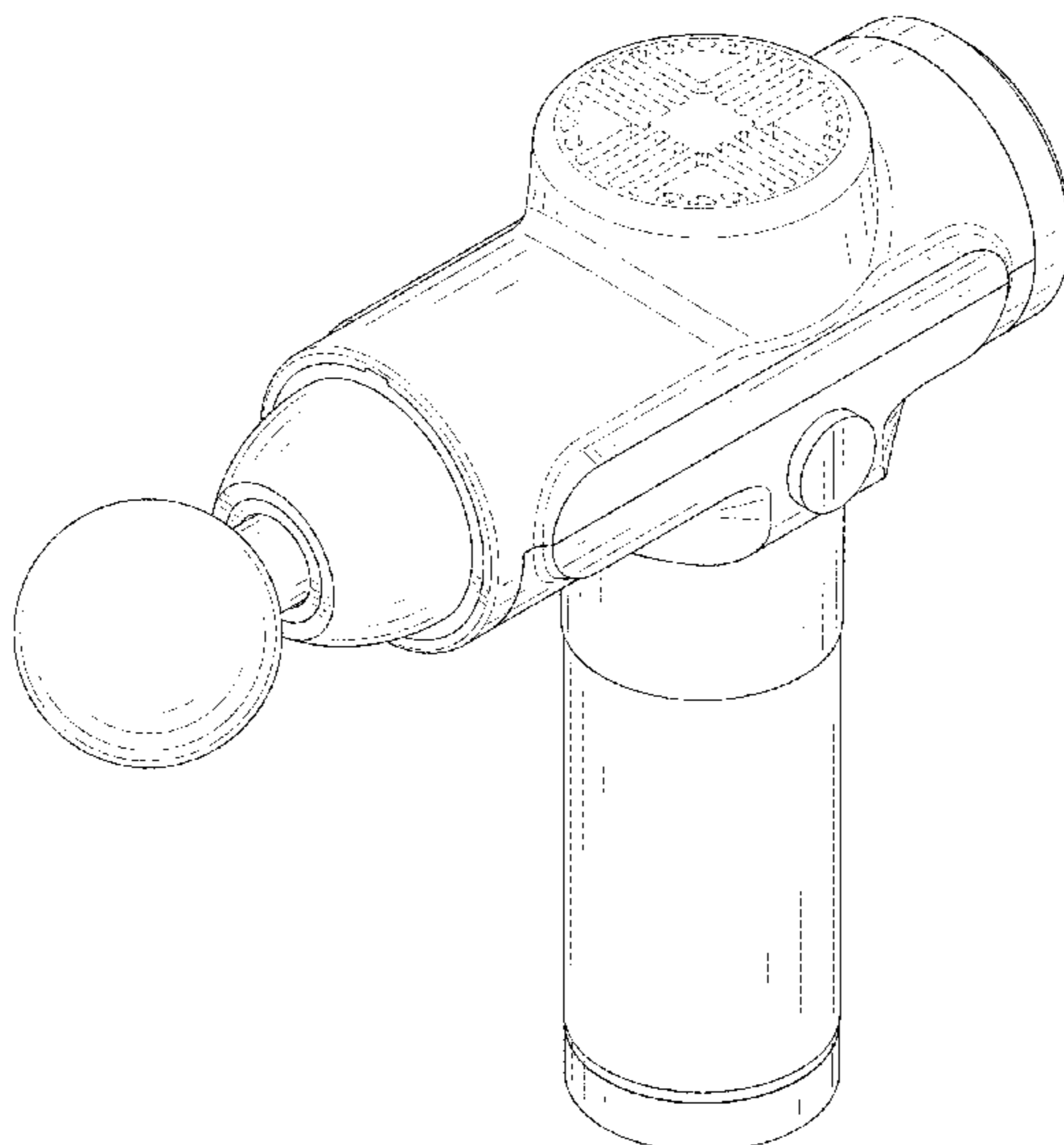
(57) **CLAIM**

The ornamental design for a deep tissue massager, as shown and described.

DESCRIPTION

FIG. 1 is a top, front and left side perspective view of a deep tissue massager showing my new design;
FIG. 2 is a bottom, rear and right side perspective view thereof;
FIG. 3 is a front elevational view thereof;
FIG. 4 is a rear elevational view thereof;
FIG. 5 is a left side view thereof;
FIG. 6 is a right side view thereof;
FIG. 7 is a top plan view thereof; and,
FIG. 8 is a bottom plan view thereof.
The broken lines in the drawings illustrate portions of the deep tissue massager which form no part of the claimed design.

1 Claim, 8 Drawing Sheets



(56)

References Cited

U.S. PATENT DOCUMENTS

D887,573	S *	6/2020	Wersland	D24/215
D893,738	S *	8/2020	Zhuang	D24/215
D895,132	S *	9/2020	Hu	D24/215
D895,133	S *	9/2020	Xu	D24/215
D895,135	S *	9/2020	Xu	D24/215
D895,829	S *	9/2020	Hu	D24/215
D895,831	S *	9/2020	Chen	D24/215
D896,396	S *	9/2020	Wersland	D24/215
D898,209	S *	10/2020	Xu	D24/214
D898,933	S *	10/2020	Xu	D24/215
D899,620	S *	10/2020	Huang	D24/215
2018/0200141	A1 *	7/2018	Wersland	A61H 23/0254
2019/0254921	A1 *	8/2019	Marton	A61H 23/0254
2020/0069510	A1 *	3/2020	Wersland	A61H 15/0085
2020/0085675	A1 *	3/2020	Lee	A61H 1/00
2020/0214930	A1 *	7/2020	Wersland	A61H 1/00
2020/0261307	A1 *	8/2020	Wersland	A61H 1/00
2020/0268594	A1 *	8/2020	Pepe	A61H 15/02
2020/0343746	A1 *	10/2020	Solana	H02J 7/0044

OTHER PUBLICATIONS

Alibaba, "CE Rosh_Tissue Massager", Nov. 28, 2020. https://www.alibaba.com/product-detail/Ce-RosH-2020-tissue-massage-gun_62507921064.html?spm=a2700.icbuShop.41413.25.67e5542bHEy7Oa. Shown on p. 1. (Year: 2020).*

* cited by examiner

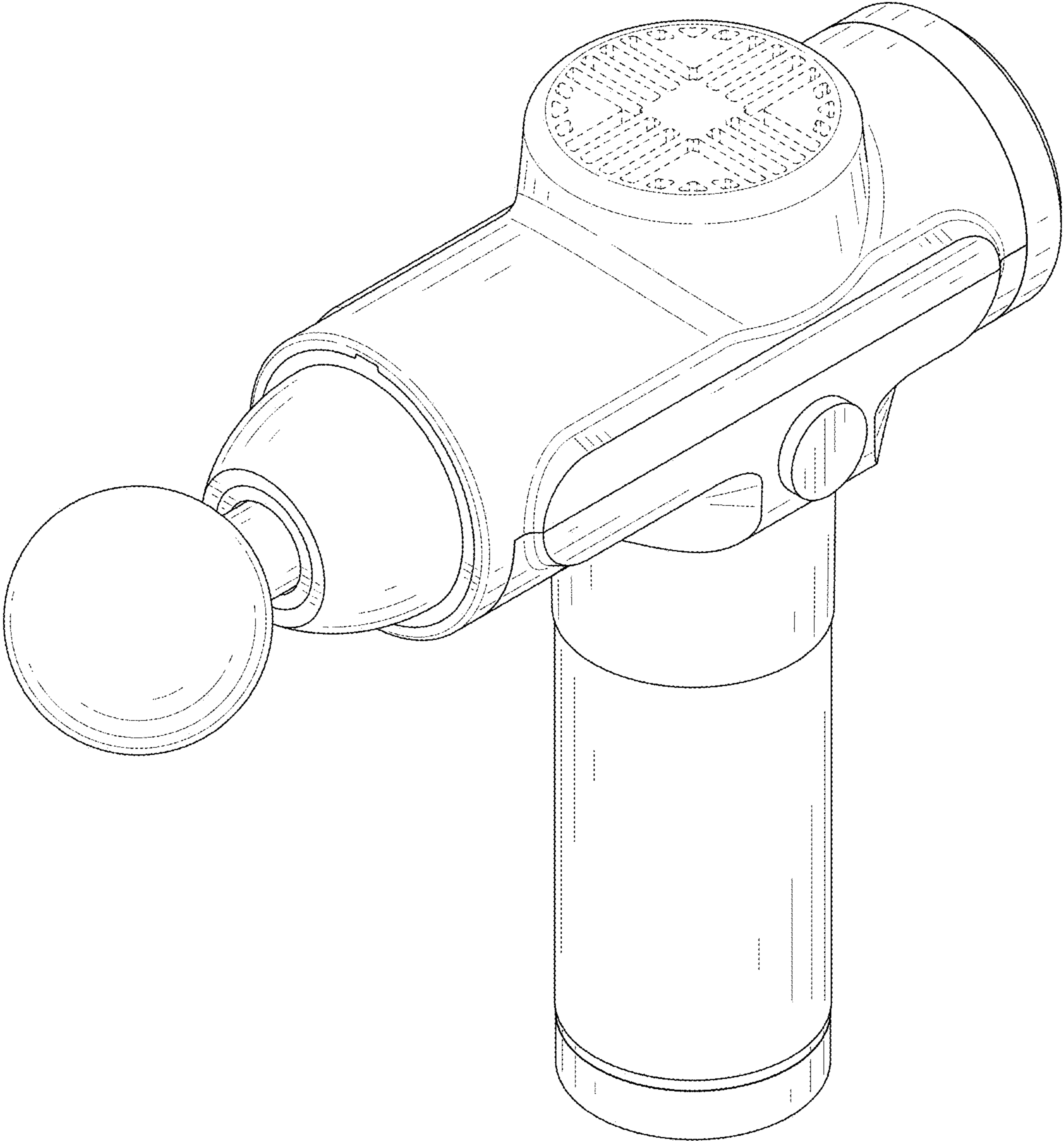


FIG. 1

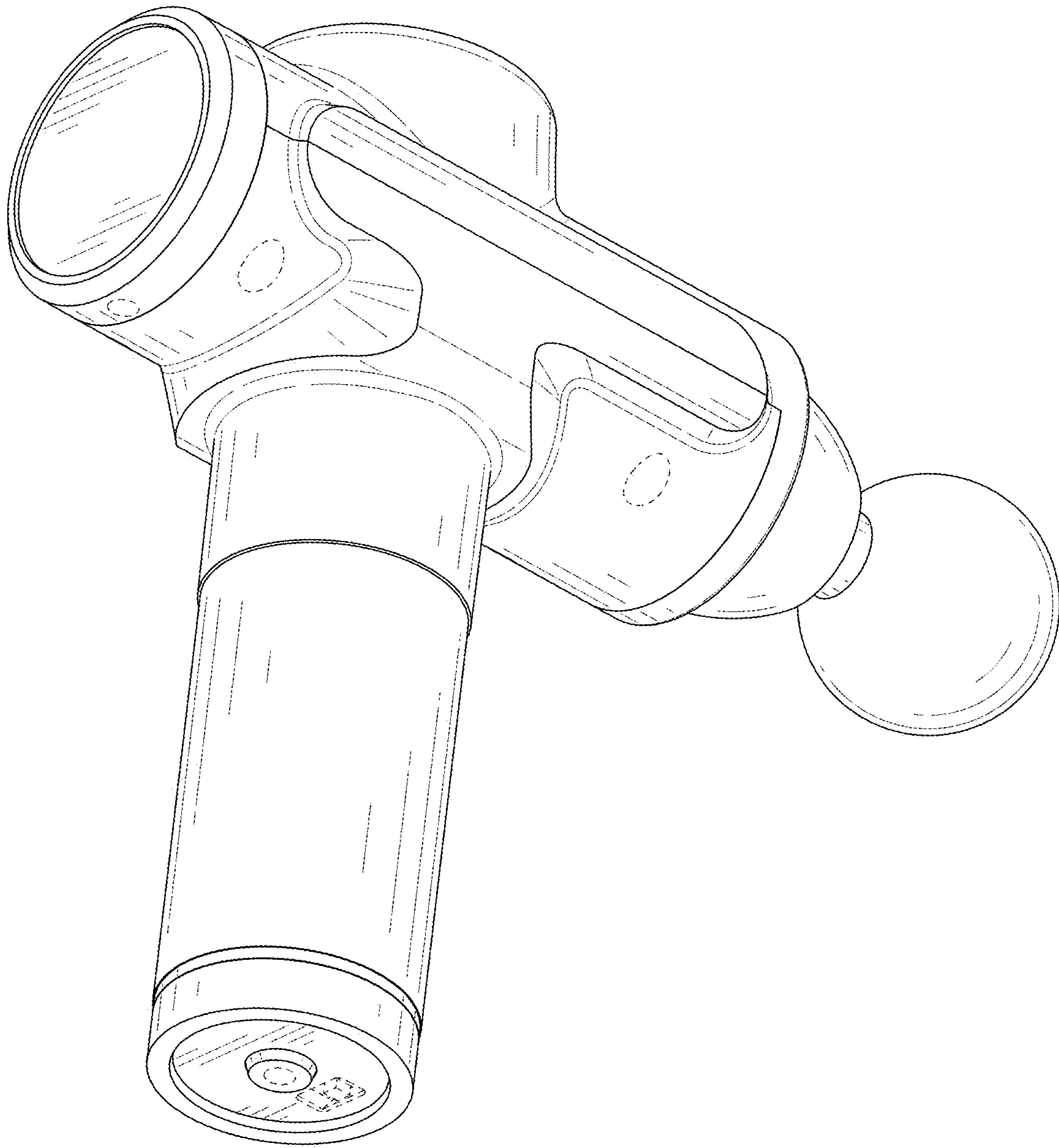


FIG. 2

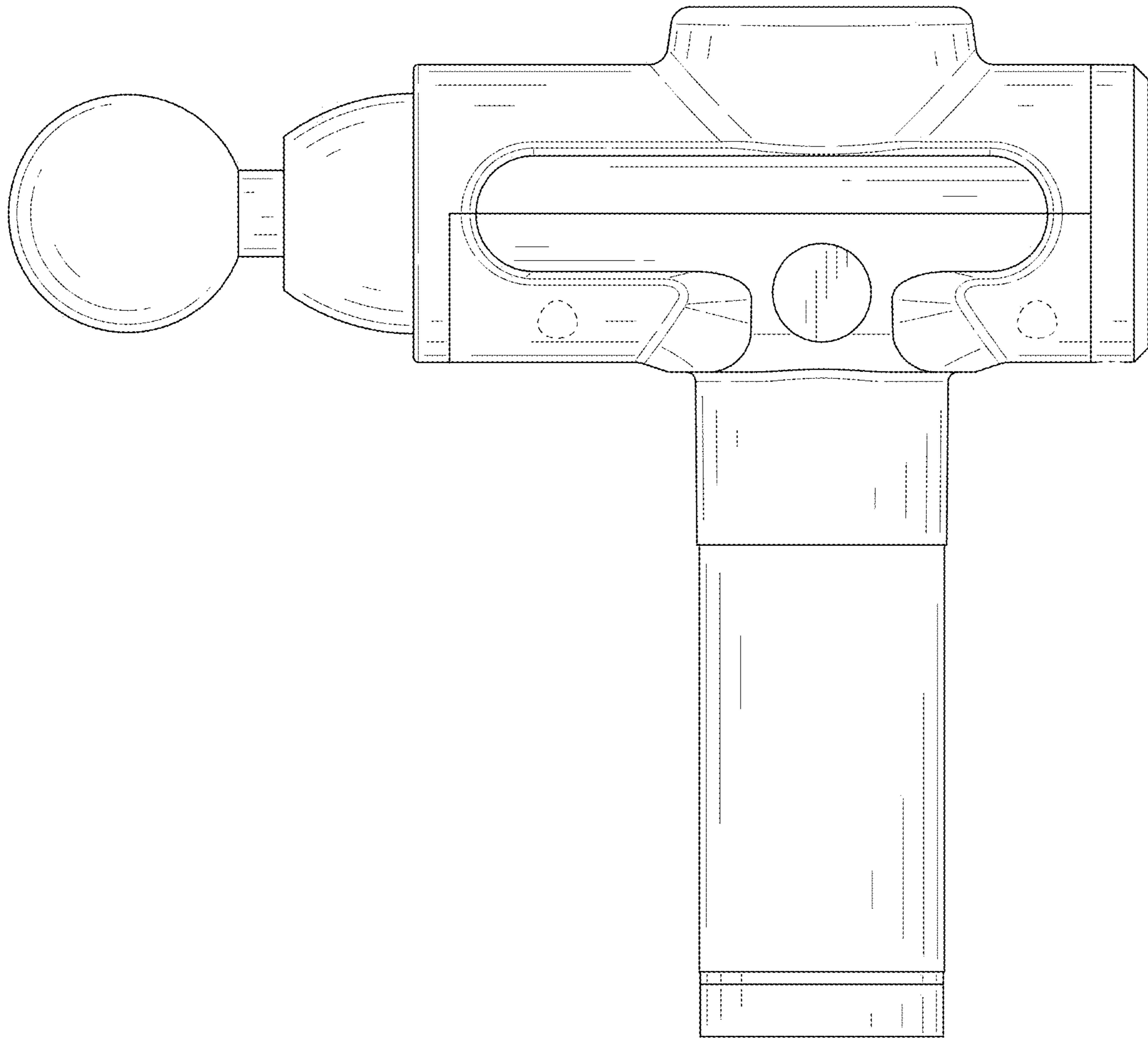


FIG. 3

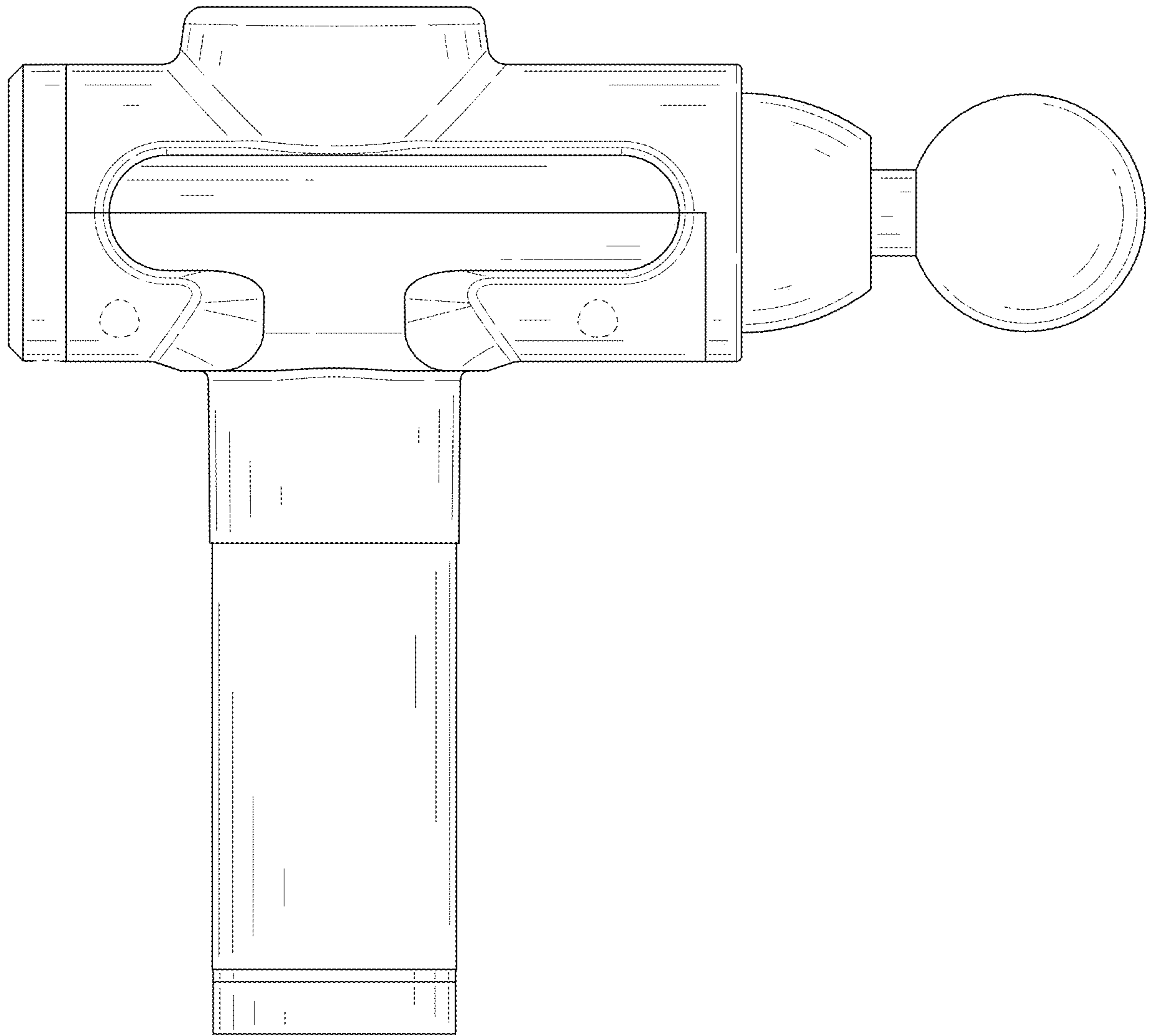


FIG. 4

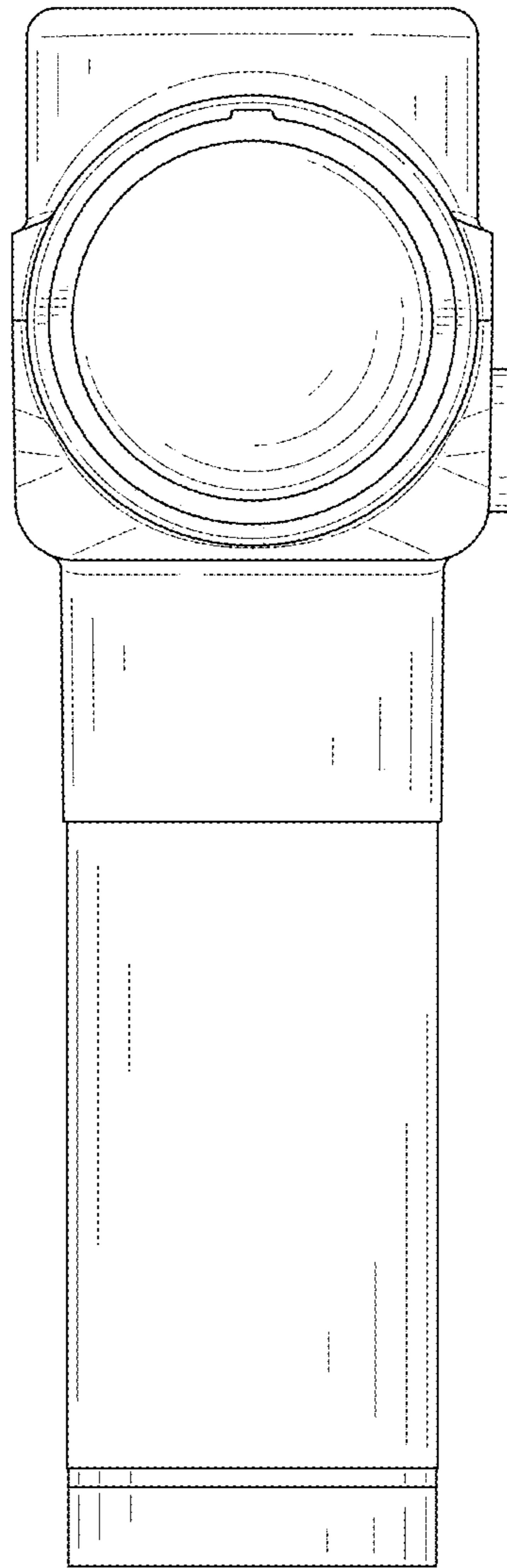


FIG. 5

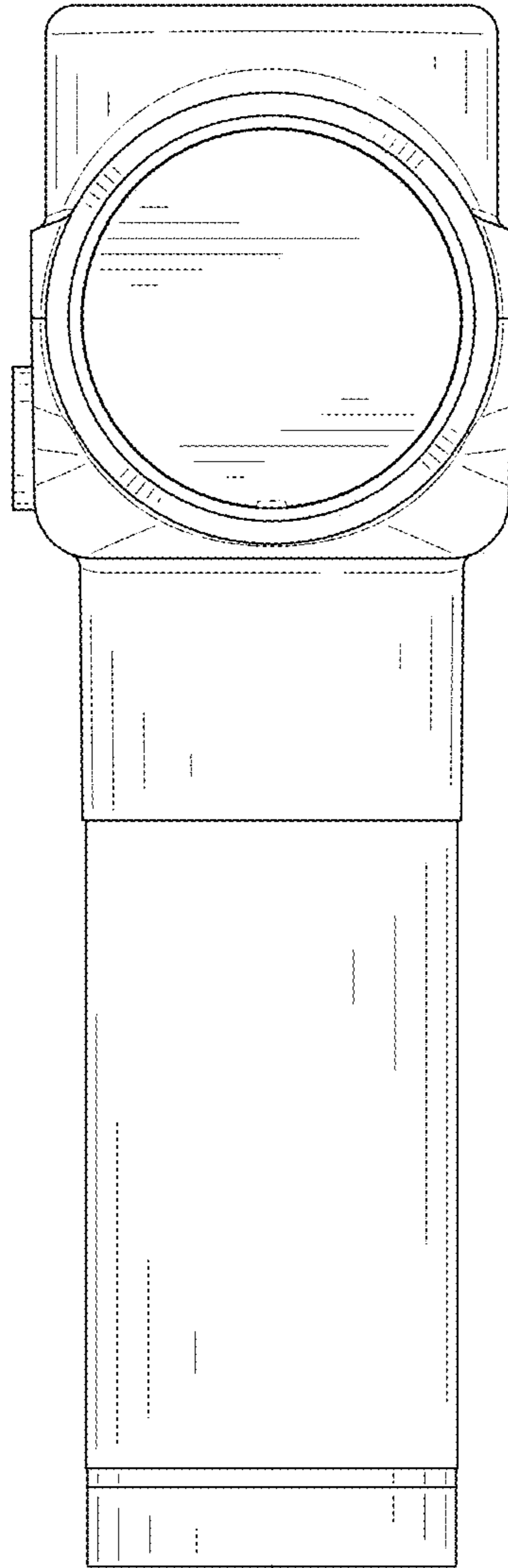


FIG. 6

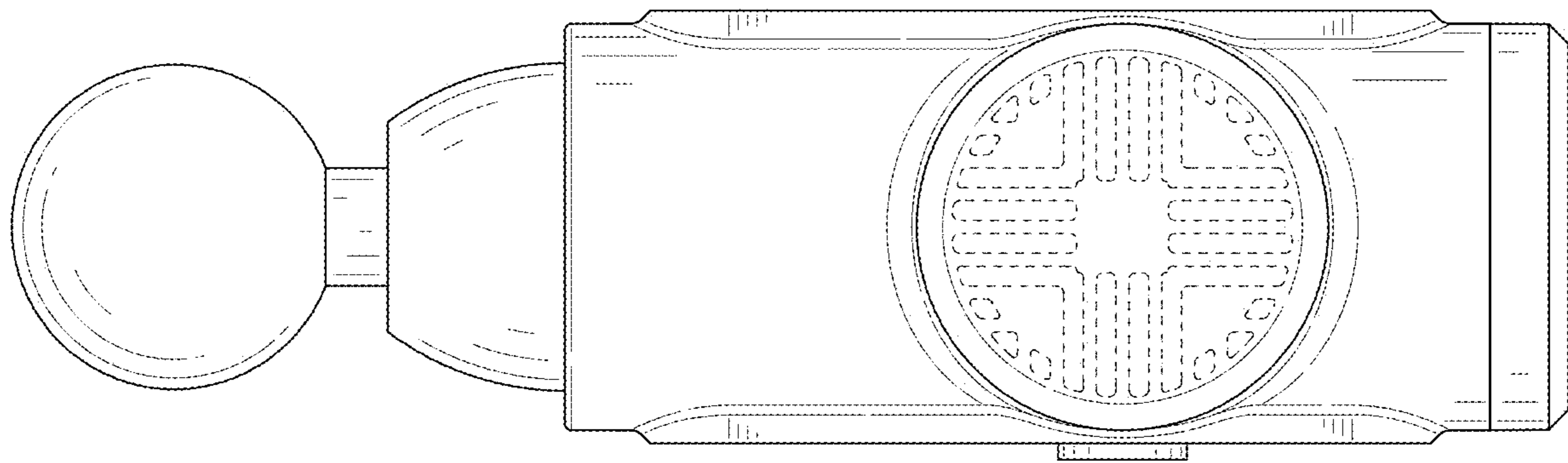


FIG. 7

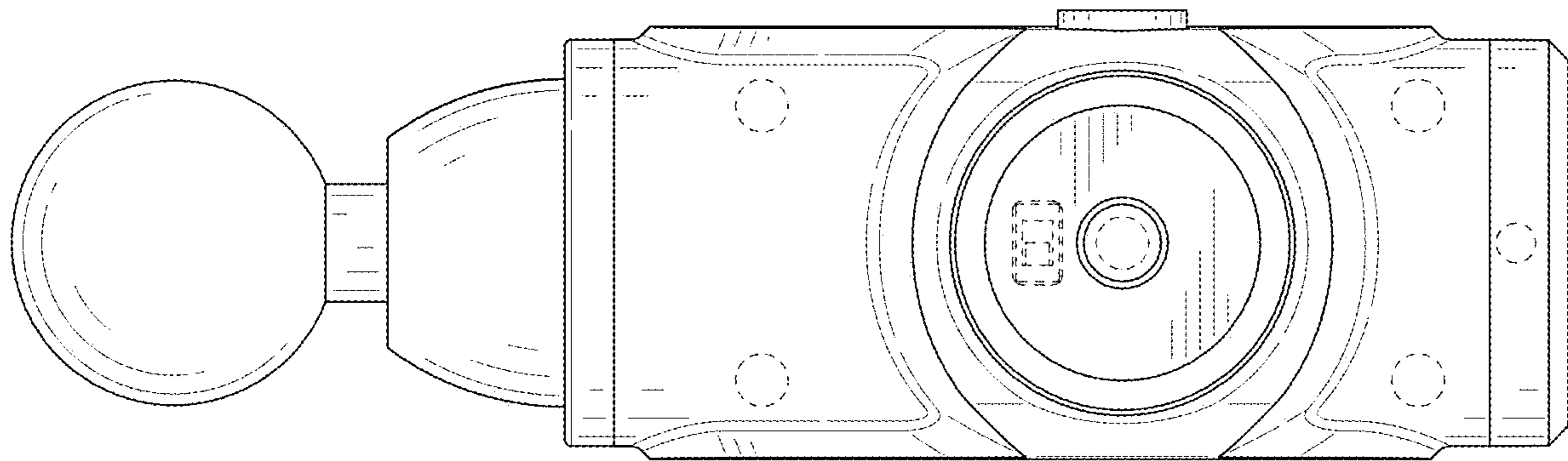


FIG. 8