



US00D908903S

(12) **United States Design Patent**  
**Nakamura**

(10) **Patent No.:** **US D908,903 S**

(45) **Date of Patent:** **\*\* Jan. 26, 2021**

(54) **STRETCHING INSTRUMENT**  
(71) Applicant: **DREAM FACTORY INC.**, Osaka (JP)  
(72) Inventor: **Tomoyoshi Nakamura**, Osaka (JP)  
(73) Assignee: **DREAM FACTORY INC.**, Osaka (JP)

D746,007 S \* 12/2015 Oh ..... D32/29  
D748,747 S \* 2/2016 Holland ..... D21/713  
D750,450 S \* 3/2016 Goldsmith ..... D7/667  
D770,710 S \* 11/2016 Li ..... D32/29.1  
D786,513 S \* 5/2017 Tome ..... D30/160  
D798,658 S \* 10/2017 Masifilo ..... D7/400

(Continued)

(\*\*) Term: **15 Years**

**FOREIGN PATENT DOCUMENTS**

(21) Appl. No.: **29/684,674**

JP 2003-305140 A 10/2003  
JP D1429171 S 12/2011

(22) Filed: **Mar. 22, 2019**

**OTHER PUBLICATIONS**

(30) **Foreign Application Priority Data**

Nov. 20, 2018 (JP) ..... 2018-025265

TRX Sheets (Japanese Patent Office design section publicly known gazette No. HC30011044), publicly available Dec. 5, 2018.

(Continued)

(51) **LOC (13) Cl.** ..... **28-03**

(52) **U.S. Cl.**  
USPC ..... **D24/211**

*Primary Examiner* — Cynthia Ramirez  
*Assistant Examiner* — Michael A Maharajh  
(74) *Attorney, Agent, or Firm* — Oliff PLC

(58) **Field of Classification Search**  
USPC ..... D32/29.1; D21/680, 707, 708, 709, 710,  
D21/711, 712, 713, 714; D30/160;  
D24/211, 214, 215  
CPC ..... A63B 41/00; A63B 21/072; A63B 39/00;  
A63B 43/00; A61H 2015/004  
See application file for complete search history.

(57) **CLAIM**

The ornamental design for a stretching instrument, as shown and described.

(56) **References Cited**

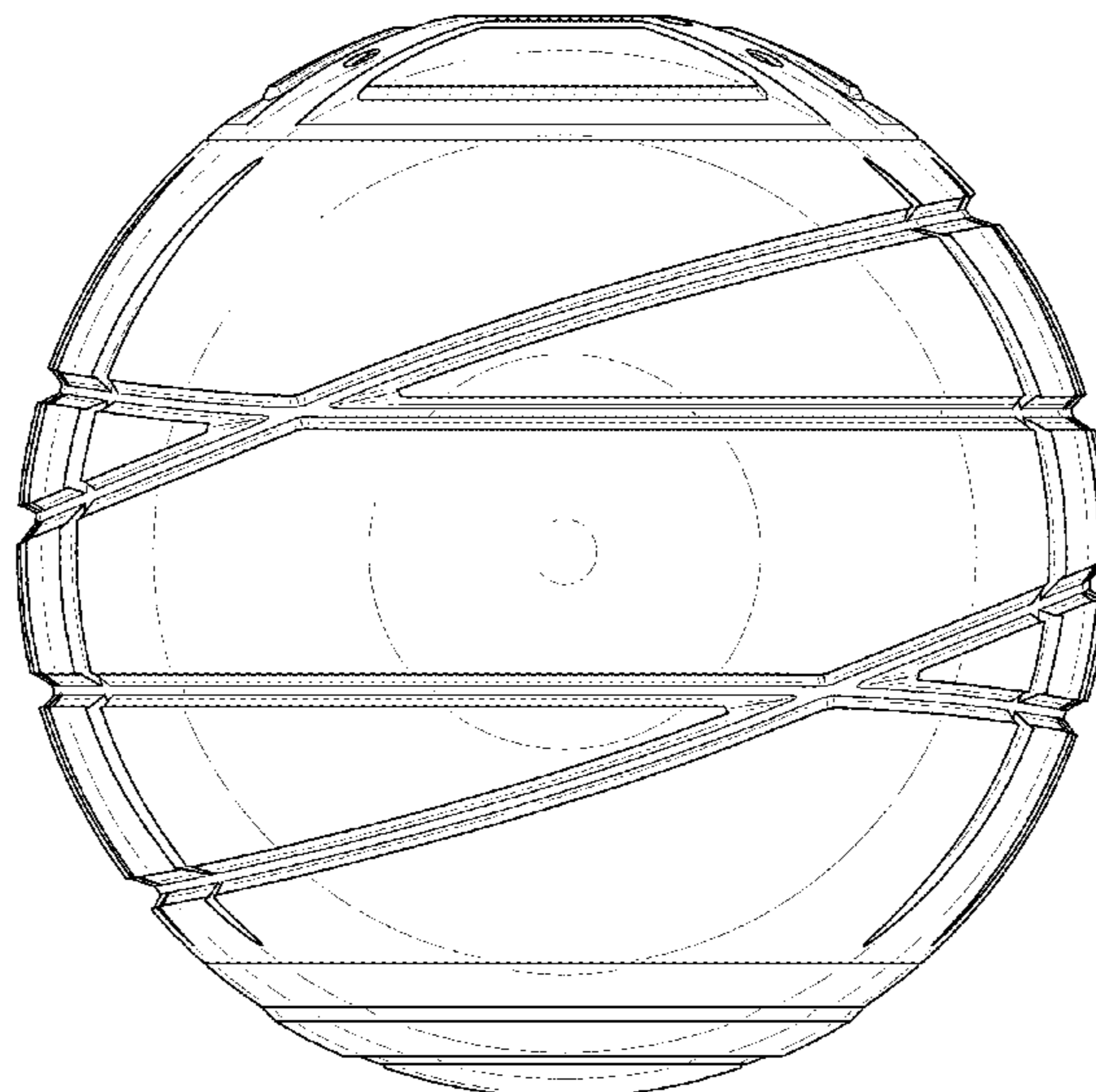
**DESCRIPTION**

**U.S. PATENT DOCUMENTS**

D478,947 S \* 8/2003 Lu ..... D21/662  
D516,145 S \* 2/2006 Oblack ..... D21/713  
D577,396 S \* 9/2008 Burger ..... D21/713  
D609,290 S \* 2/2010 Oblack ..... D21/714  
D640,018 S \* 6/2011 Rutherford ..... D30/160  
8,205,351 B2 \* 6/2012 Howe ..... B67D 7/06  
34/60  
D663,793 S \* 7/2012 Guarrasi ..... D21/662  
D673,740 S \* 1/2013 Burger ..... D30/160  
D680,698 S \* 4/2013 McWilliams ..... D30/160  
D694,421 S \* 11/2013 Anderson ..... D24/215  
D724,161 S \* 3/2015 Kuhne ..... D21/662  
D731,667 S \* 6/2015 Elenga ..... D24/215

FIG. 1 is a front elevational view of the stretching instrument, showing my new design;  
FIG. 2 is a rear elevational view thereof;  
FIG. 3 is a right-side elevational view thereof;  
FIG. 4 is a left-side elevational view thereof;  
FIG. 5 is a top plan view thereof;  
FIG. 6 is a bottom plan view thereof;  
FIG. 7 is a top perspective view thereof; and,  
FIG. 8 is a bottom perspective view thereof.  
The evenly spaced broken lines depict unclaimed parts of the stretching instrument and form no part of the claimed design.

**1 Claim, 8 Drawing Sheets**



(56)

**References Cited**

## U.S. PATENT DOCUMENTS

D838,417 S \* 1/2019 Jiang ..... D30/160  
D839,496 S \* 1/2019 Steinkraus ..... D30/160  
D840,116 S \* 2/2019 Steinkraus ..... D30/160  
D845,562 S \* 4/2019 Lewis ..... D30/160  
D848,683 S \* 5/2019 Pinto ..... D30/160  
D848,684 S \* 5/2019 Renforth ..... D30/160  
D861,084 S \* 9/2019 Wu ..... D21/680  
D867,489 S \* 11/2019 Brezovar ..... D21/680  
D870,987 S \* 12/2019 Murray ..... D30/160  
D871,527 S \* 12/2019 Blum ..... D21/680  
D871,603 S \* 12/2019 Spratt ..... D24/215  
D875,852 S \* 2/2020 Brezovar ..... D21/680  
D875,853 S \* 2/2020 Brezovar ..... D21/680  
D876,660 S \* 2/2020 Kim ..... D24/215  
D884,099 S \* 5/2020 Wang ..... D21/713  
D893,116 S \* 8/2020 Wang ..... D30/160  
2006/0068952 A1 \* 3/2006 Davignon, II ..... A63B 69/0002  
473/613  
2006/0217220 A1 \* 9/2006 Davignon, II ..... A63B 69/0002  
473/613  
2014/0336021 A1 \* 11/2014 Jones ..... A63B 21/0004  
482/132  
2014/0373788 A1 \* 12/2014 Ragonetti ..... A01K 15/025  
119/51.01  
2017/0136283 A1 \* 5/2017 Sorin ..... A63B 21/4035

## OTHER PUBLICATIONS

Amazon.com, Inc., Homepage, (Japanese Patent Office design section publicly known gazette No. HJ29041591), publicly available Oct. 28, 2017.

\* cited by examiner

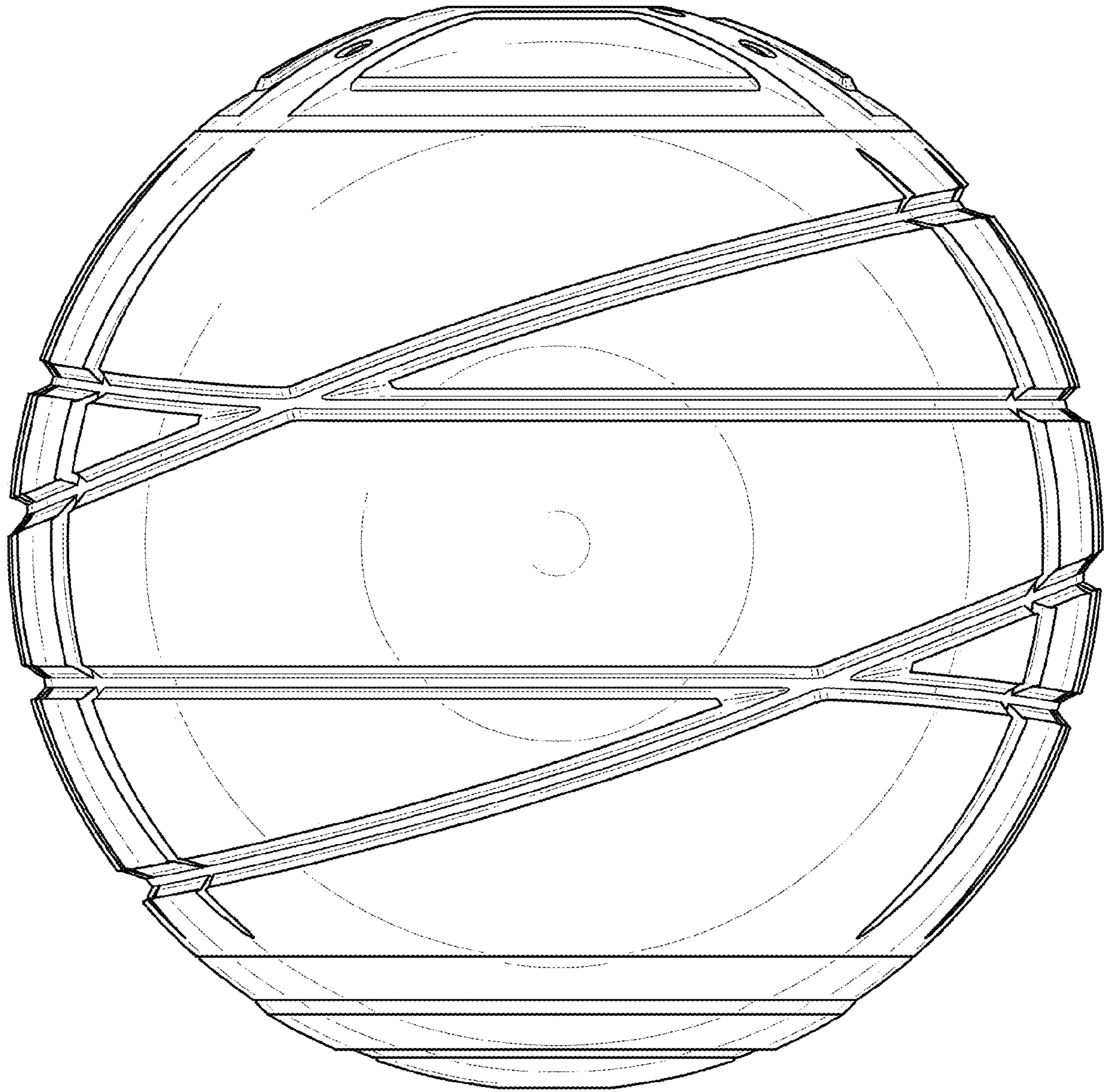


FIG. 1

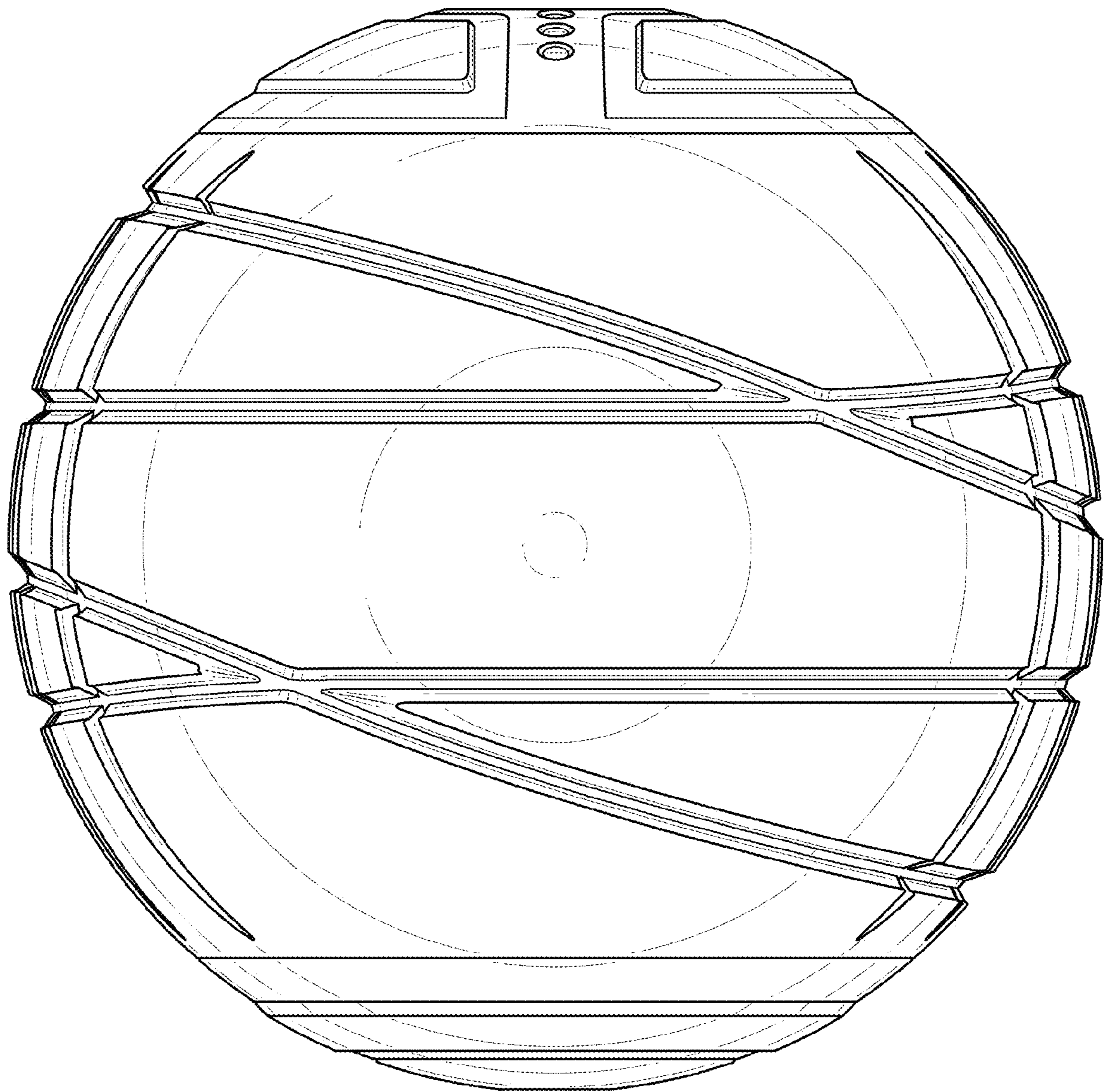


FIG. 2

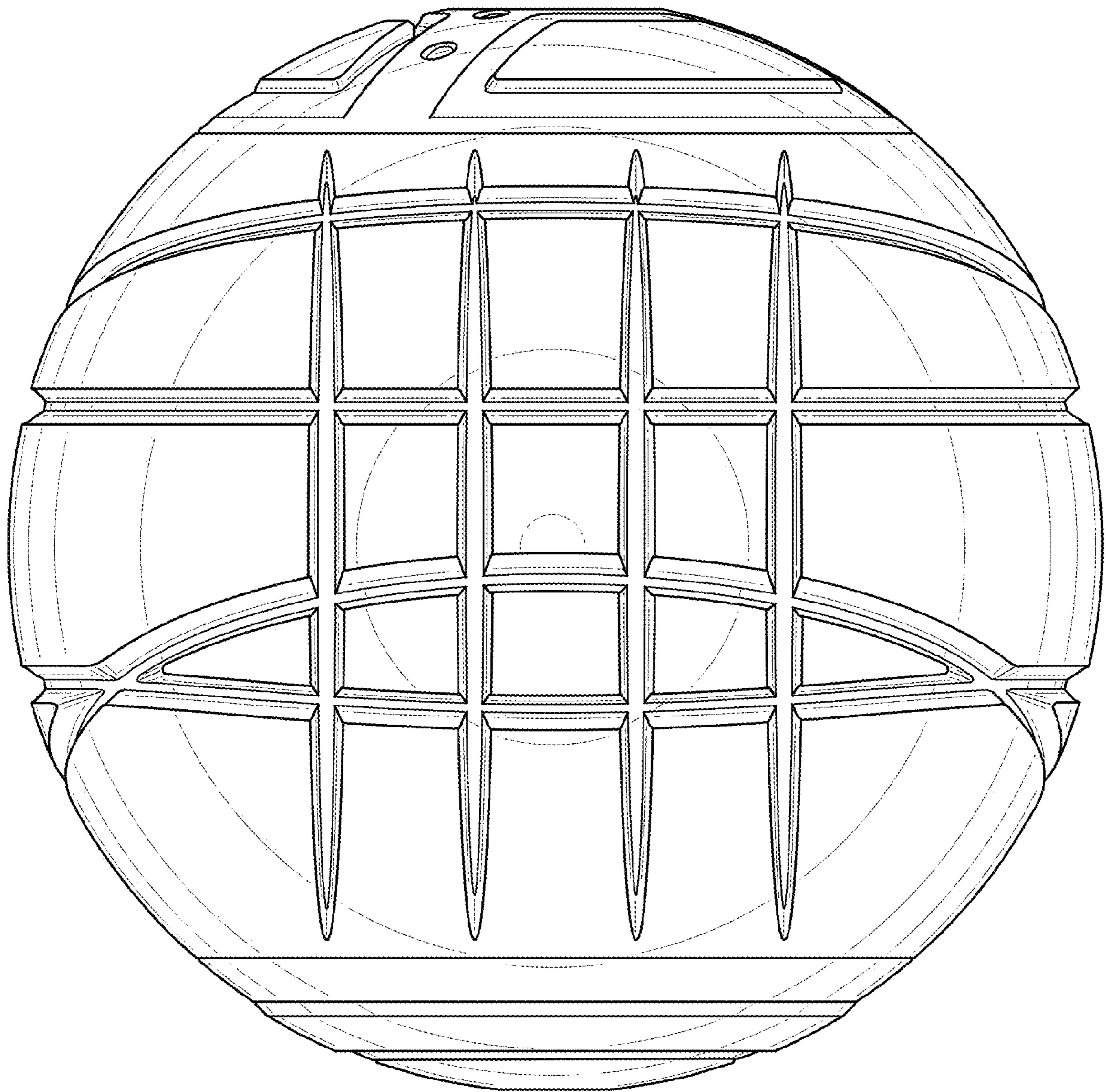


FIG. 3

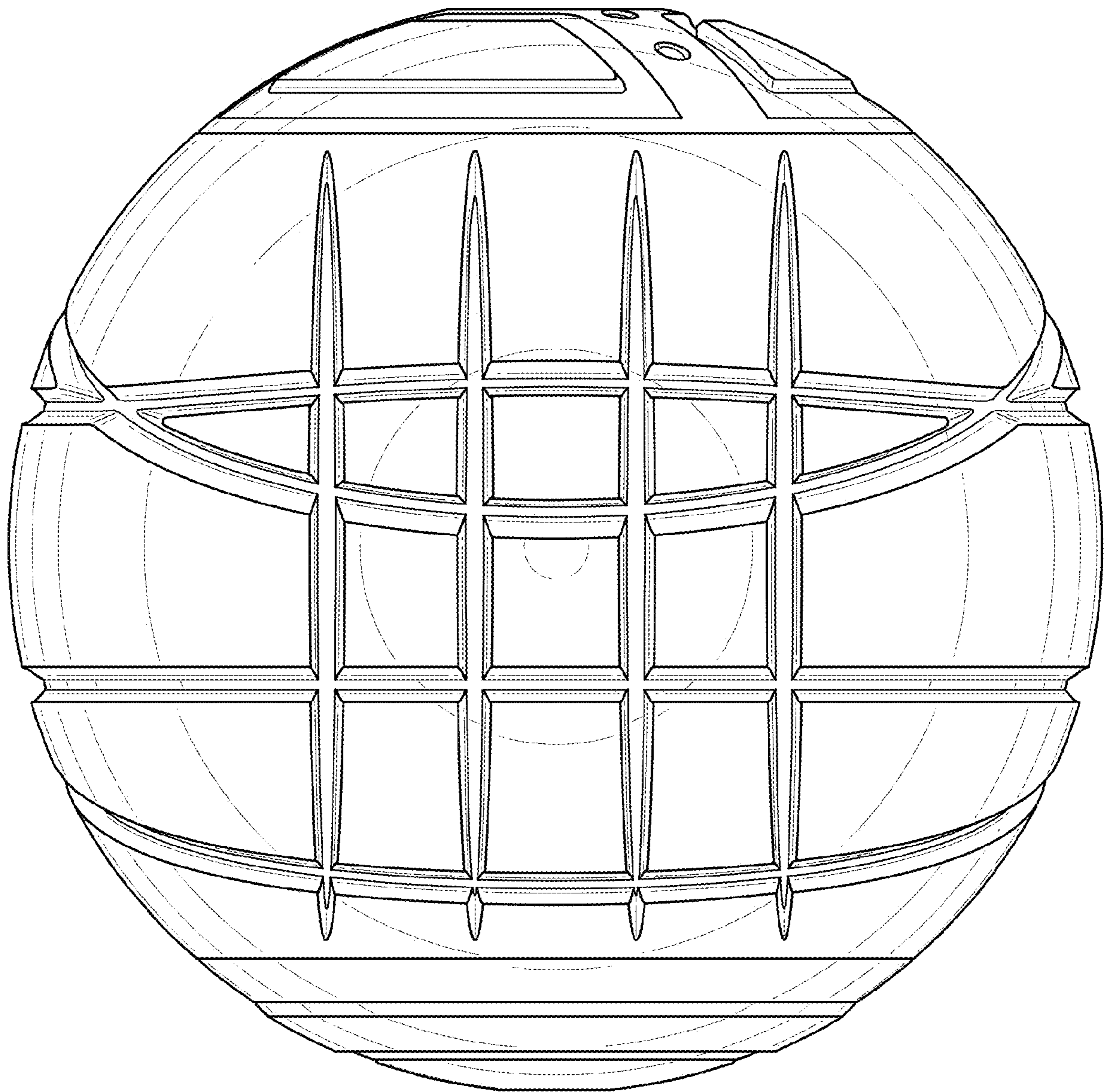


FIG. 4

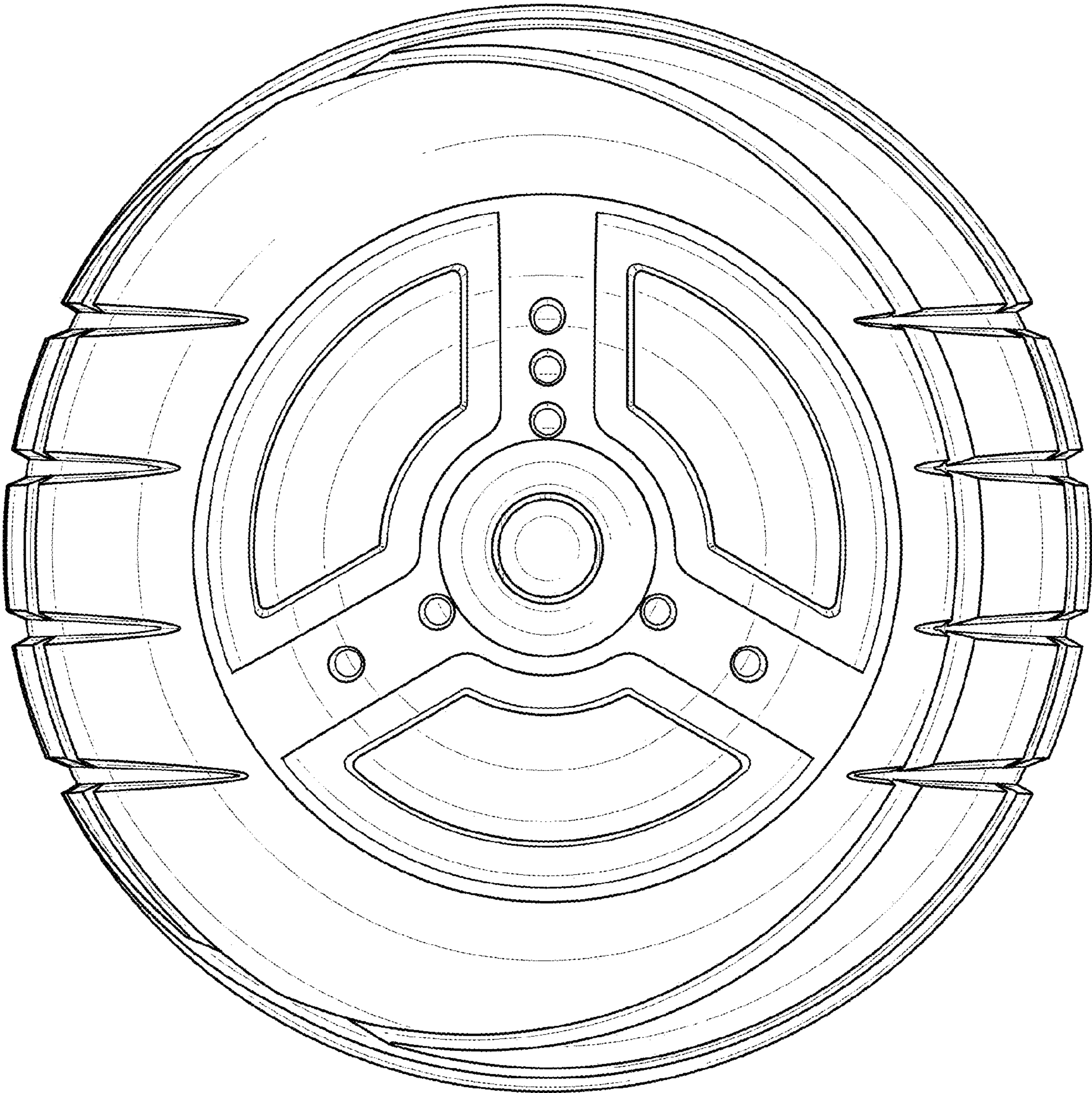


FIG. 5

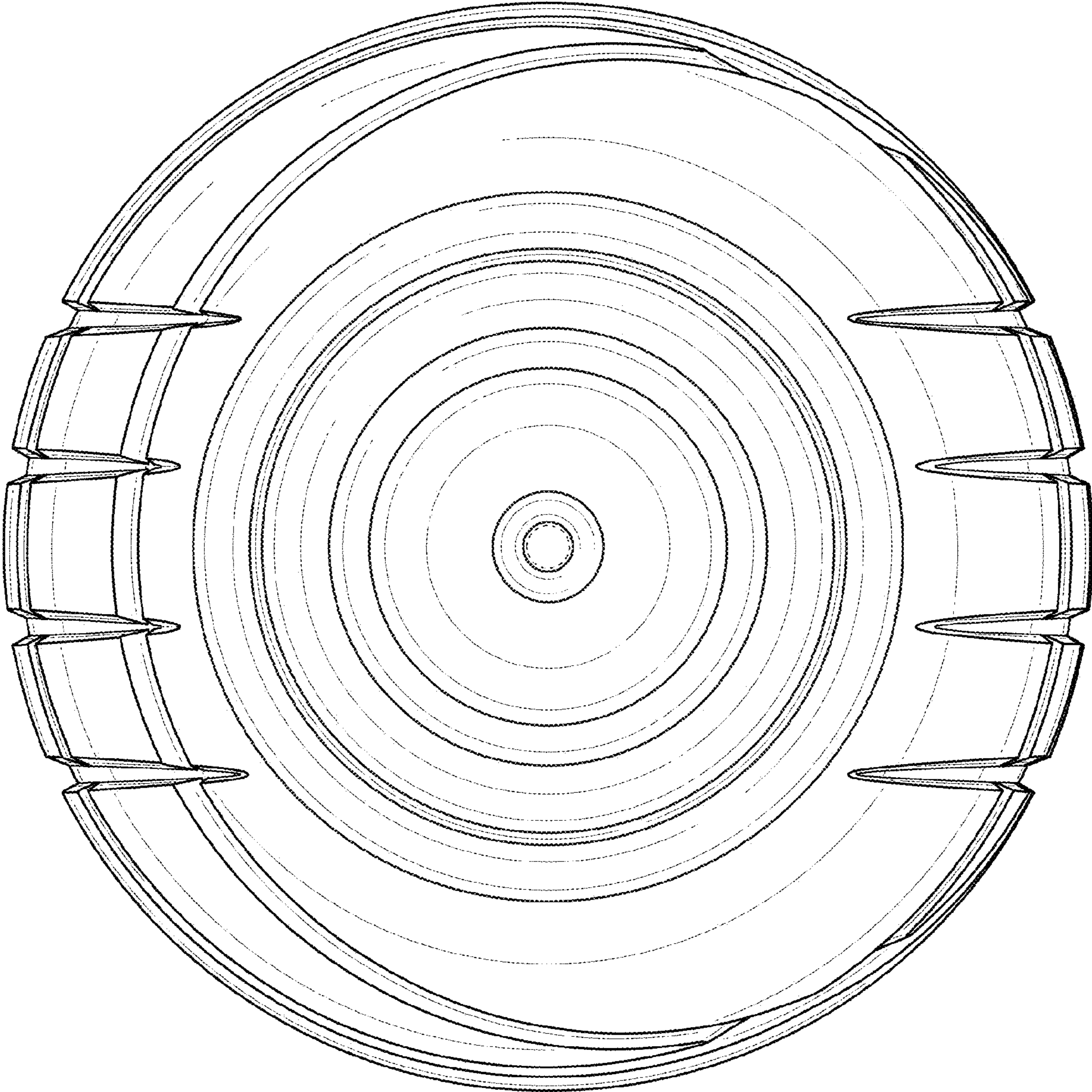


FIG. 6



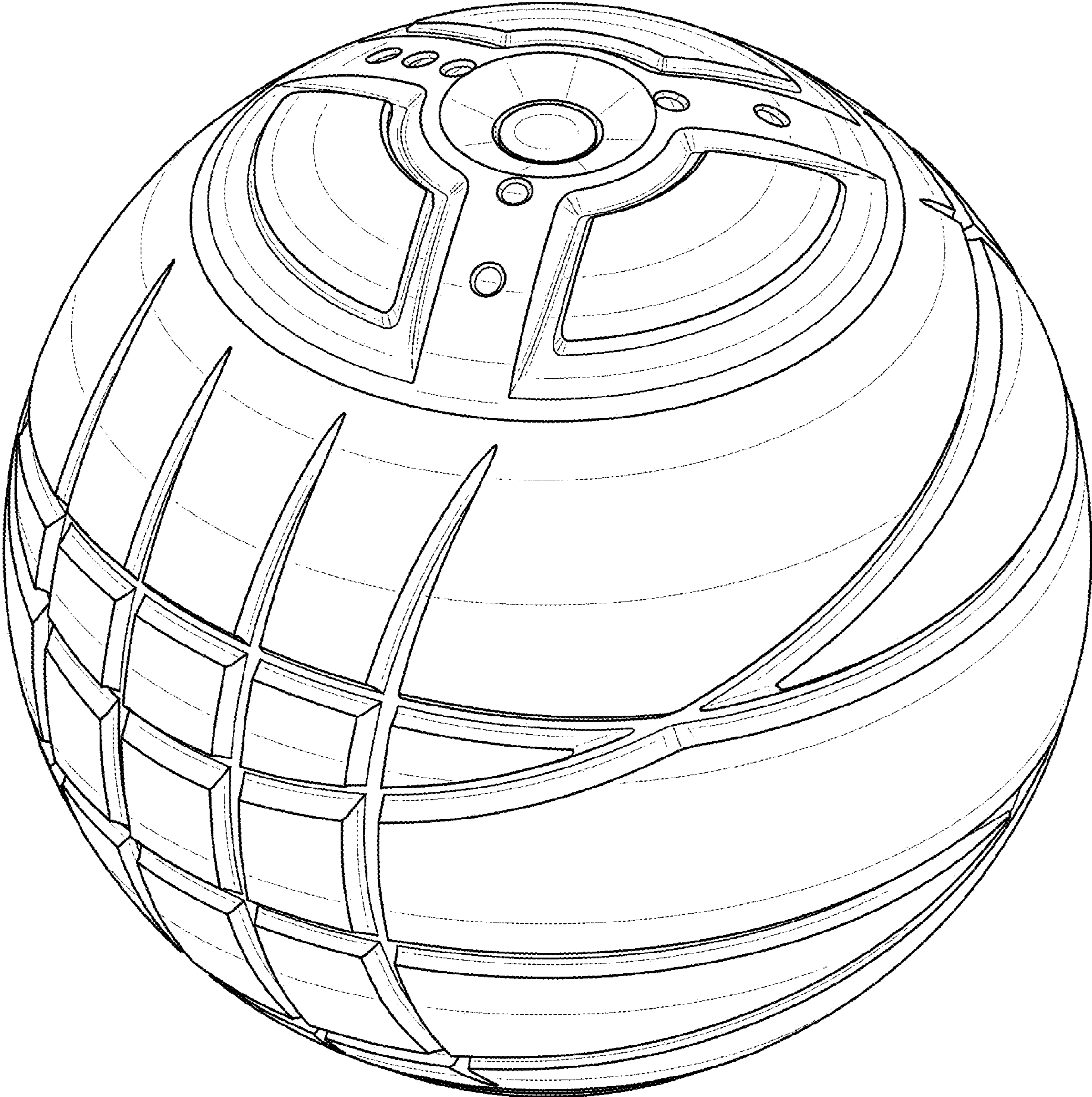


FIG. 7

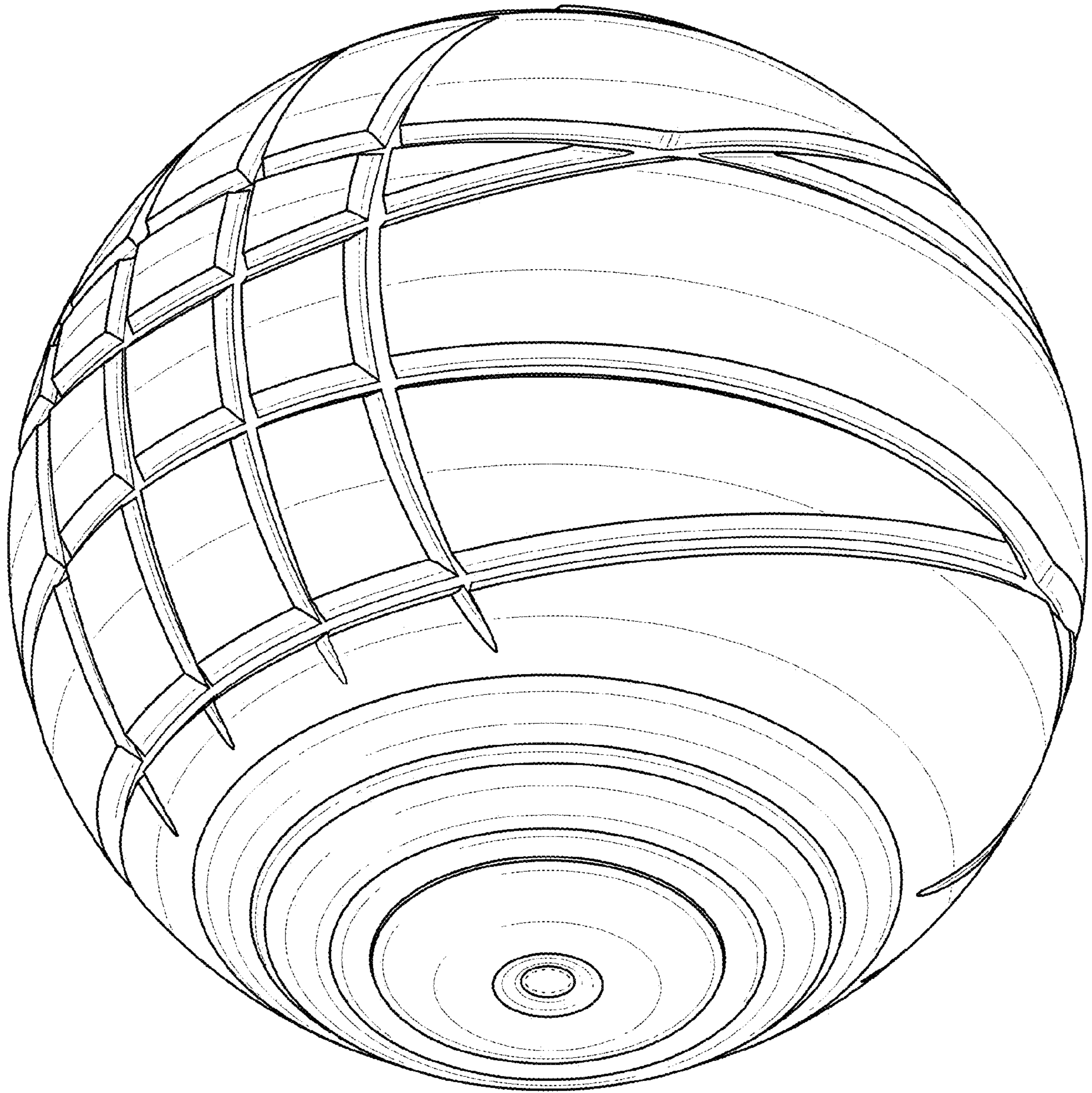


FIG. 8