



US00D908898S

(12) **United States Design Patent** (10) **Patent No.:** **US D908,898 S**  
**Warden** (45) **Date of Patent:** **\*\* Jan. 26, 2021**

(54) **PACIFIER**

(71) Applicant: **MAPA GmbH**, Zeven (DE)

(72) Inventor: **Bodo Warden**, Moenchengladbach (DE)

(73) Assignee: **MAPA GmbH**, Zeven (DE)

(\*\*) Term: **15 Years**

(21) Appl. No.: **29/707,228**

(22) Filed: **Sep. 26, 2019**

(51) **LOC (13) Cl.** ..... **24-04**

(52) **U.S. Cl.**  
USPC ..... **D24/194**

(58) **Field of Classification Search**  
USPC ..... D24/193, 194, 195, 115, 117, 214;  
D1/101, 104, 106, 107, 199; D21/576,  
D21/584, 606, 607; D3/293, 301;  
D30/160  
CPC ..... A61J 17/001  
See application file for complete search history.

(56) **References Cited**

**U.S. PATENT DOCUMENTS**

D441,083 S *	4/2001	Roehrig	.....	D24/194
D548,847 S *	8/2007	Dunn	.....	D24/194
D659,253 S *	5/2012	Valderrama	.....	D24/194
D674,496 S *	1/2013	Roehrig	.....	D24/194
D739,032 S *	9/2015	Recht	.....	D24/194
D838,858 S *	1/2019	Hanneken	.....	D24/194
D872,290 S *	1/2020	Roehrig	.....	D24/194
2010/0030264 A1 *	2/2010	Roehrig	.....	A61J 17/001 606/234
2011/0130790 A1 *	6/2011	Hezari	.....	A61J 17/001 606/234
2013/0046342 A1 *	2/2013	Rohrig	.....	A61J 17/001 606/236
2016/0158113 A1 *	6/2016	Lovat	.....	A61J 17/001 606/236
2019/0290548 A1 *	9/2019	Evans	.....	A61J 17/001
2019/0358129 A1 *	11/2019	Bergstrom	.....	A61J 17/008

**OTHER PUBLICATIONS**

“NUK Space Silicone Orthodontic Soother”. Found online Apr. 3, 2020 at amazon.co.uk. Reference dated Oct. 23, 2019. Retrieved from [https://www.amazon.co.uk/-/Orthodontic-Soother-Months/dp/B07YWSTKP3/ref=sr\\_1\\_35?dchild=1&keywords=nuk+newborn&qid=1585972045&rnid=1642204031&s=baby&sr=1-35](https://www.amazon.co.uk/-/Orthodontic-Soother-Months/dp/B07YWSTKP3/ref=sr_1_35?dchild=1&keywords=nuk+newborn&qid=1585972045&rnid=1642204031&s=baby&sr=1-35).\*

“Tommee Tippee: Closer to Nature C-Air Soother”. Found online Apr. 3, 2020 at amazon.co.uk. Reference dated Mar. 13, 2009. Retrieved from [https://www.amazon.co.uk/-/er-Nature-C-Air-Soother-3-6m/dp/B001VLWT8I/ref=sr\\_1\\_29?dchild=1&keywords=tommee+tippee&qid=1585961606&rnid=1642204031&s=baby&sr=1-29](https://www.amazon.co.uk/-/er-Nature-C-Air-Soother-3-6m/dp/B001VLWT8I/ref=sr_1_29?dchild=1&keywords=tommee+tippee&qid=1585961606&rnid=1642204031&s=baby&sr=1-29).\*

“MAM Bite & Relax Teether”. Found online Mar. 31, 2020 at amazon.co.uk. Reference dated Aug. 27, 2015. Retrieved from [https://www.amazon.co.uk/MAM-Relax-2Months-Teether-Green/dp/B014JD2KJM/ref=sr\\_1\\_13?keywords=mam+cooler&qid=1585701162&sr=8-13](https://www.amazon.co.uk/MAM-Relax-2Months-Teether-Green/dp/B014JD2KJM/ref=sr_1_13?keywords=mam+cooler&qid=1585701162&sr=8-13).\*

“MAM Air Latex pacifier”. Found online Apr. 3, 2020 at amazon.co.uk. Reference dated Mar. 31, 2012. Retrieved from [https://www.amazon.co.uk/...s/dp/B000P3A502/ref=sr\\_1\\_78?crd=17809VYTLMRAC&dchild=1&keywords=pacifier&qid=1585955760&s=baby&sprefix=paci%2Caps%2C242&sr=1-78](https://www.amazon.co.uk/...s/dp/B000P3A502/ref=sr_1_78?crd=17809VYTLMRAC&dchild=1&keywords=pacifier&qid=1585955760&s=baby&sprefix=paci%2Caps%2C242&sr=1-78).\*

\* cited by examiner

*Primary Examiner* — Kendra Leslie Hamilton

(57) **CLAIM**

The ornamental design for a pacifier, as shown and described.

**DESCRIPTION**

FIG. 1 is a front elevation view of a pacifier, showing my new design;

FIG. 2 is a top, front, left perspective view thereof;

FIG. 3 is a left elevation view thereof;

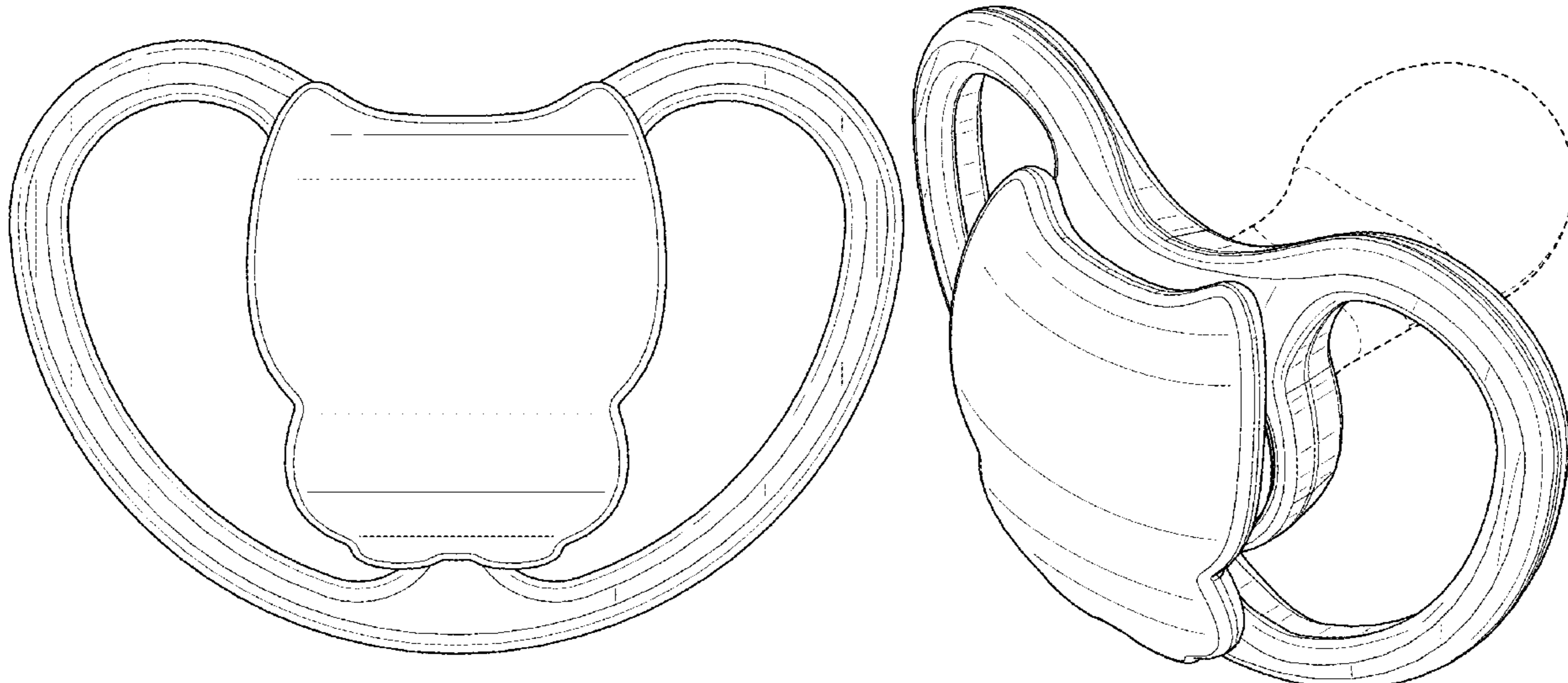
FIG. 4 is a right elevation view thereof;

FIG. 5 is a top plan view thereof; and,

FIG. 6 is a bottom plan view thereof.

The broken lines depict portions of the pacifier that form no part of the claimed design.

**1 Claim, 6 Drawing Sheets**



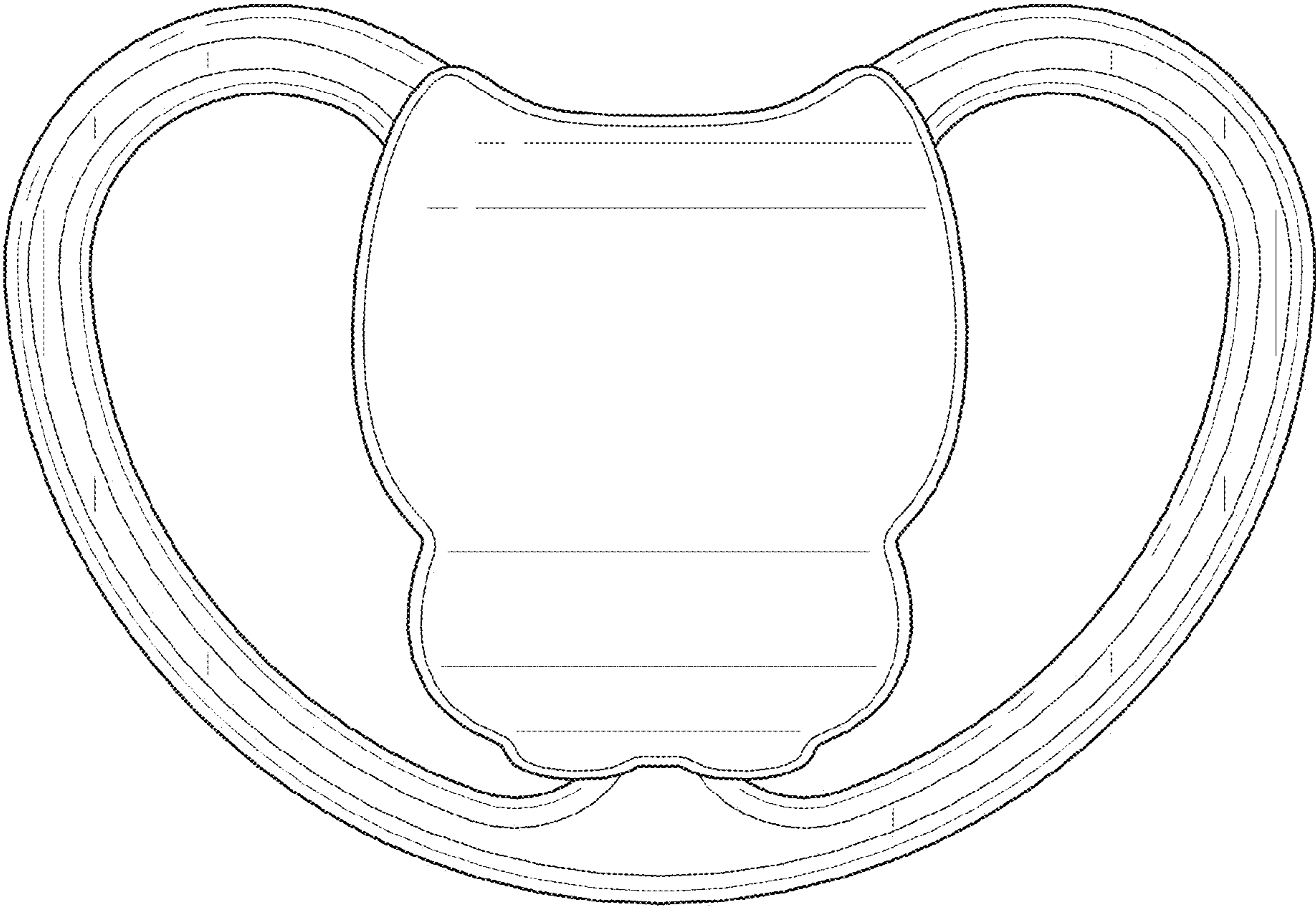


FIG. 1

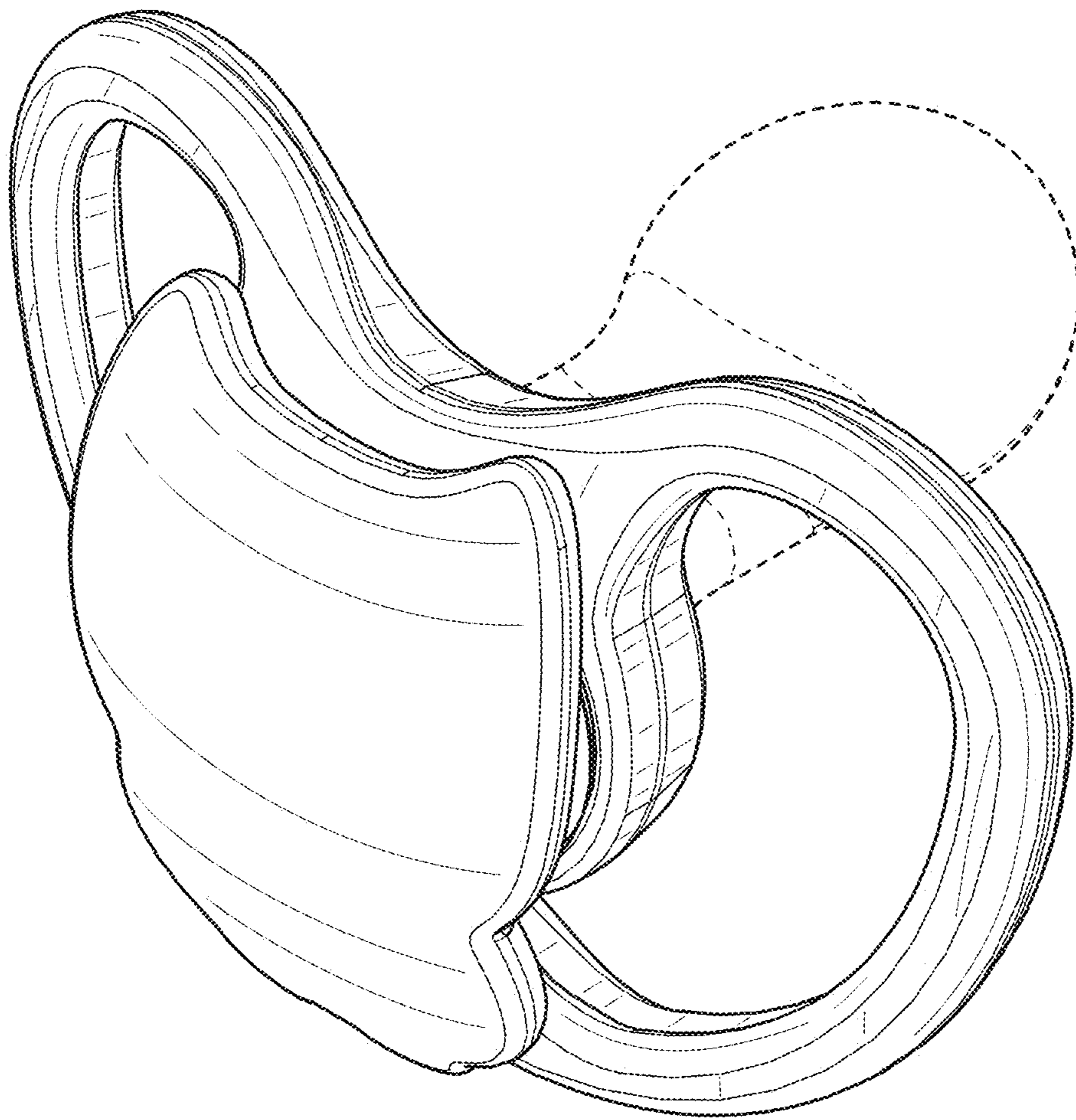


FIG. 2



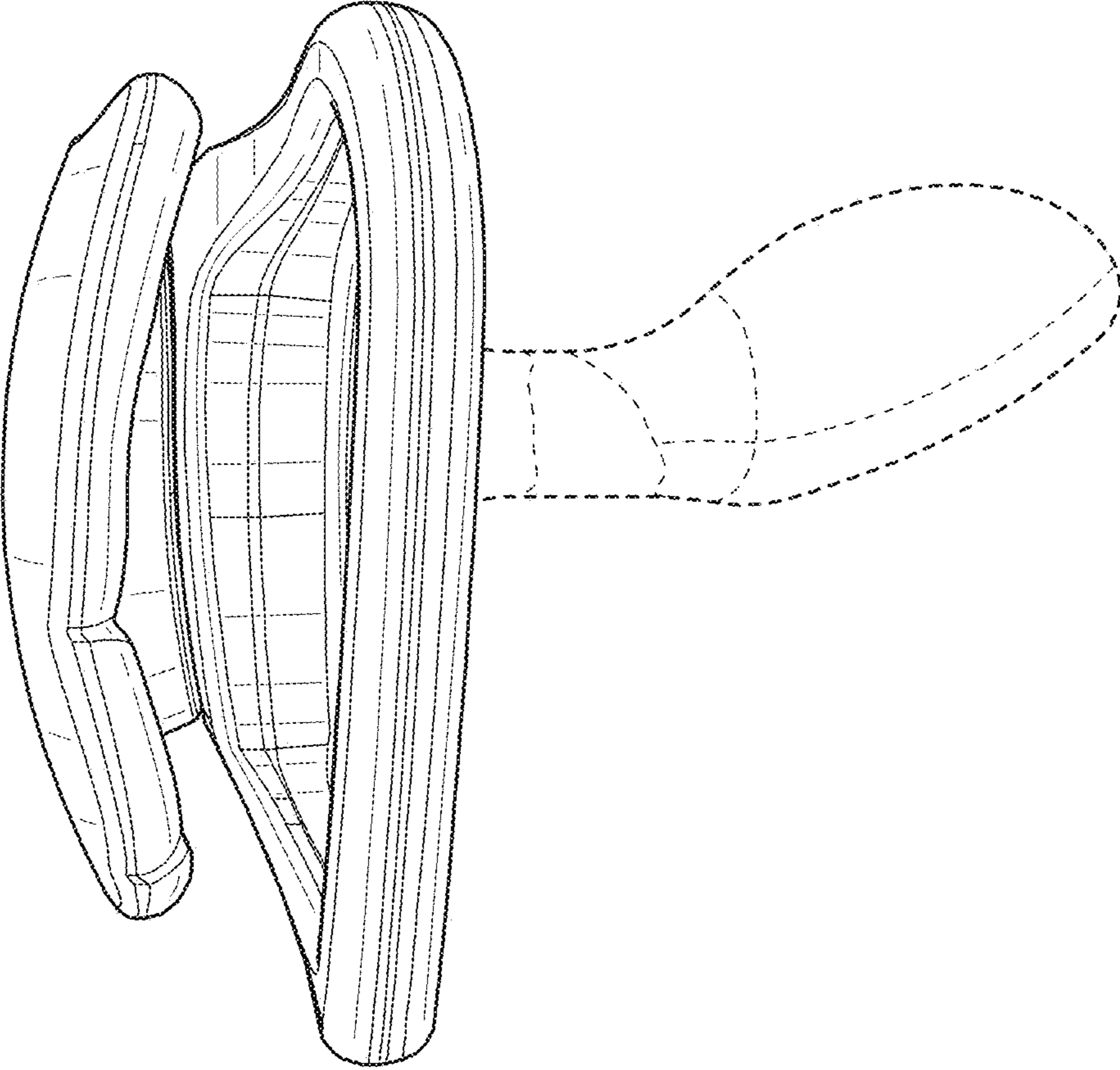


FIG. 3

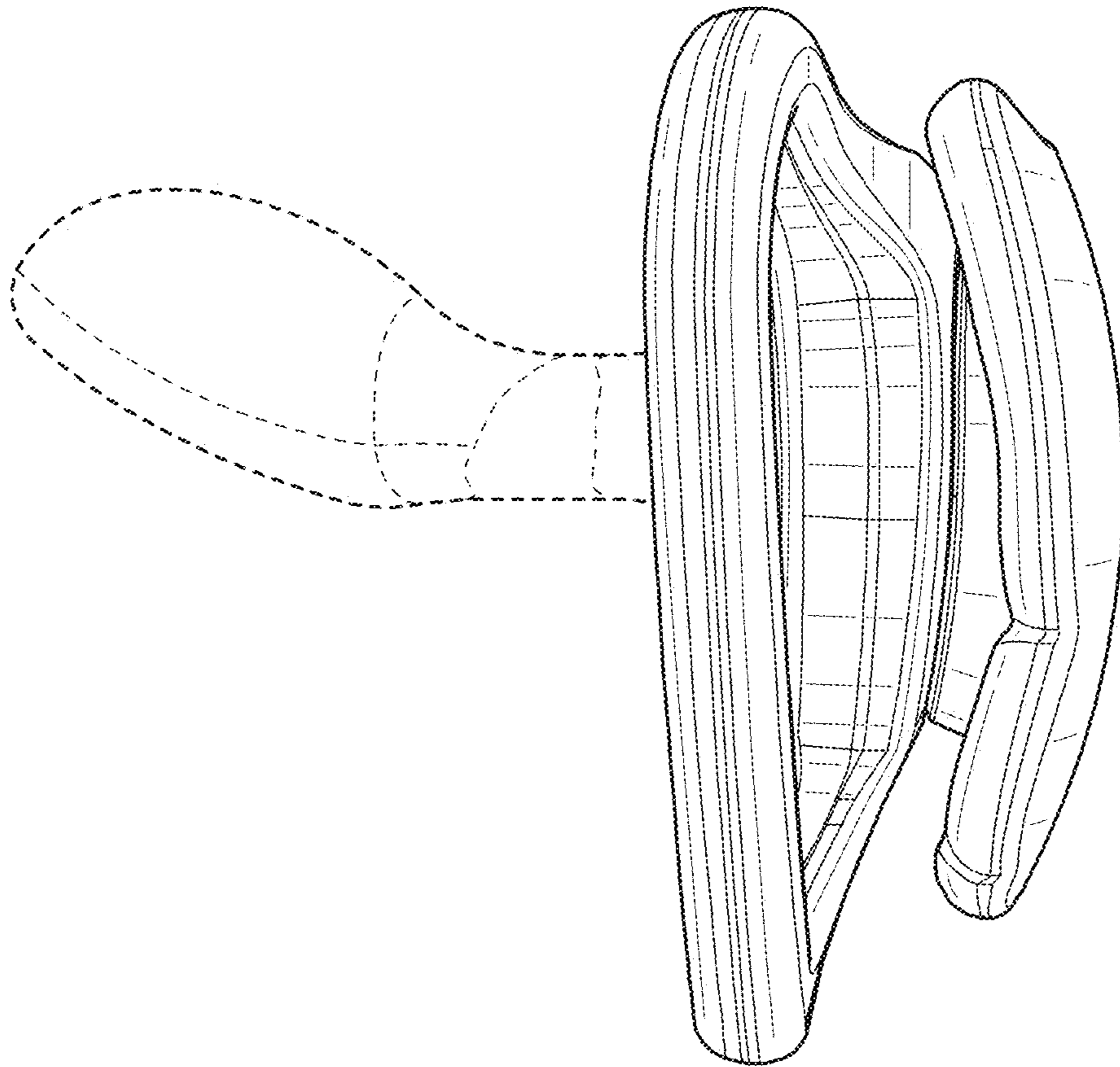


FIG. 4

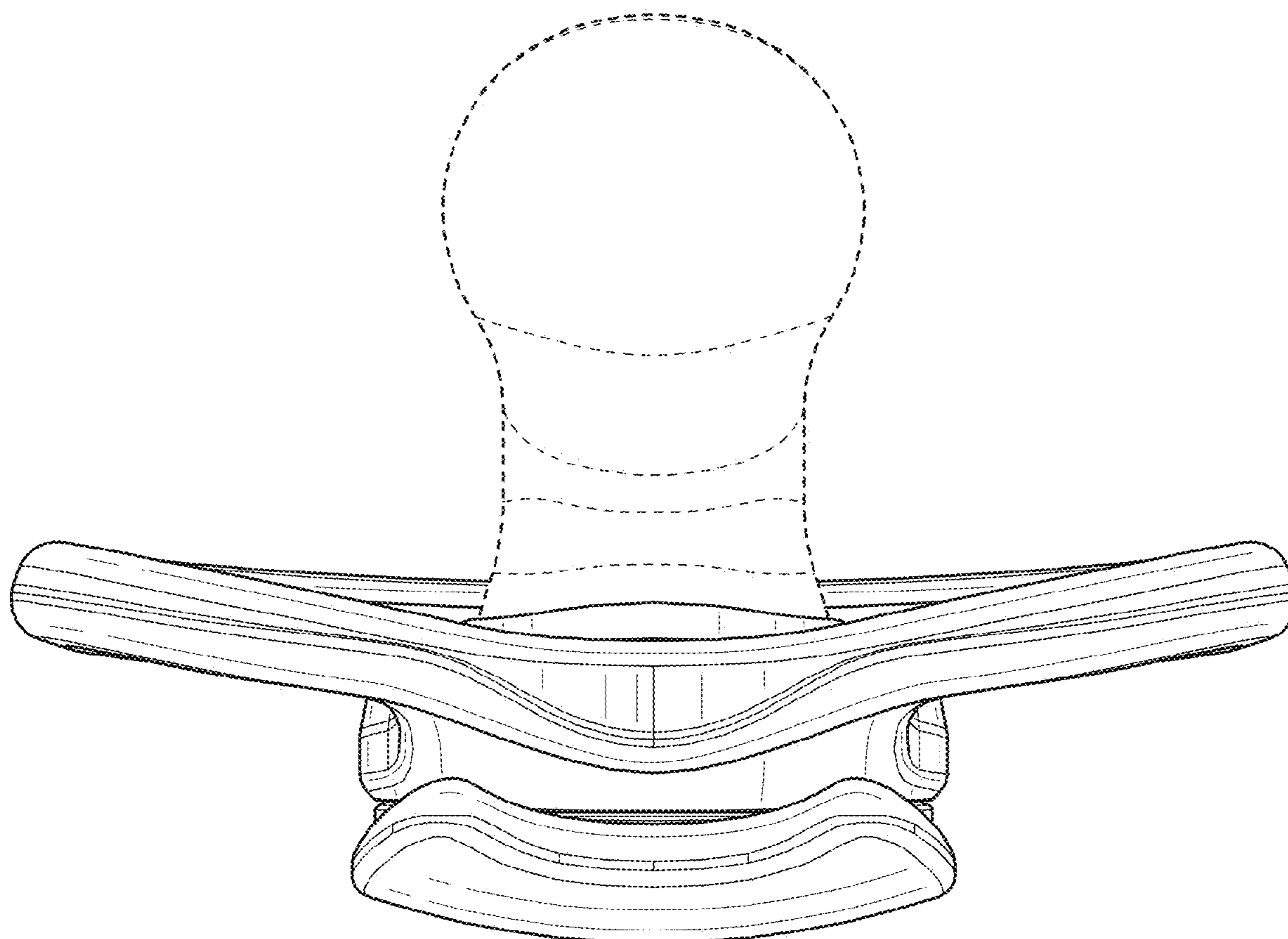


FIG. 5

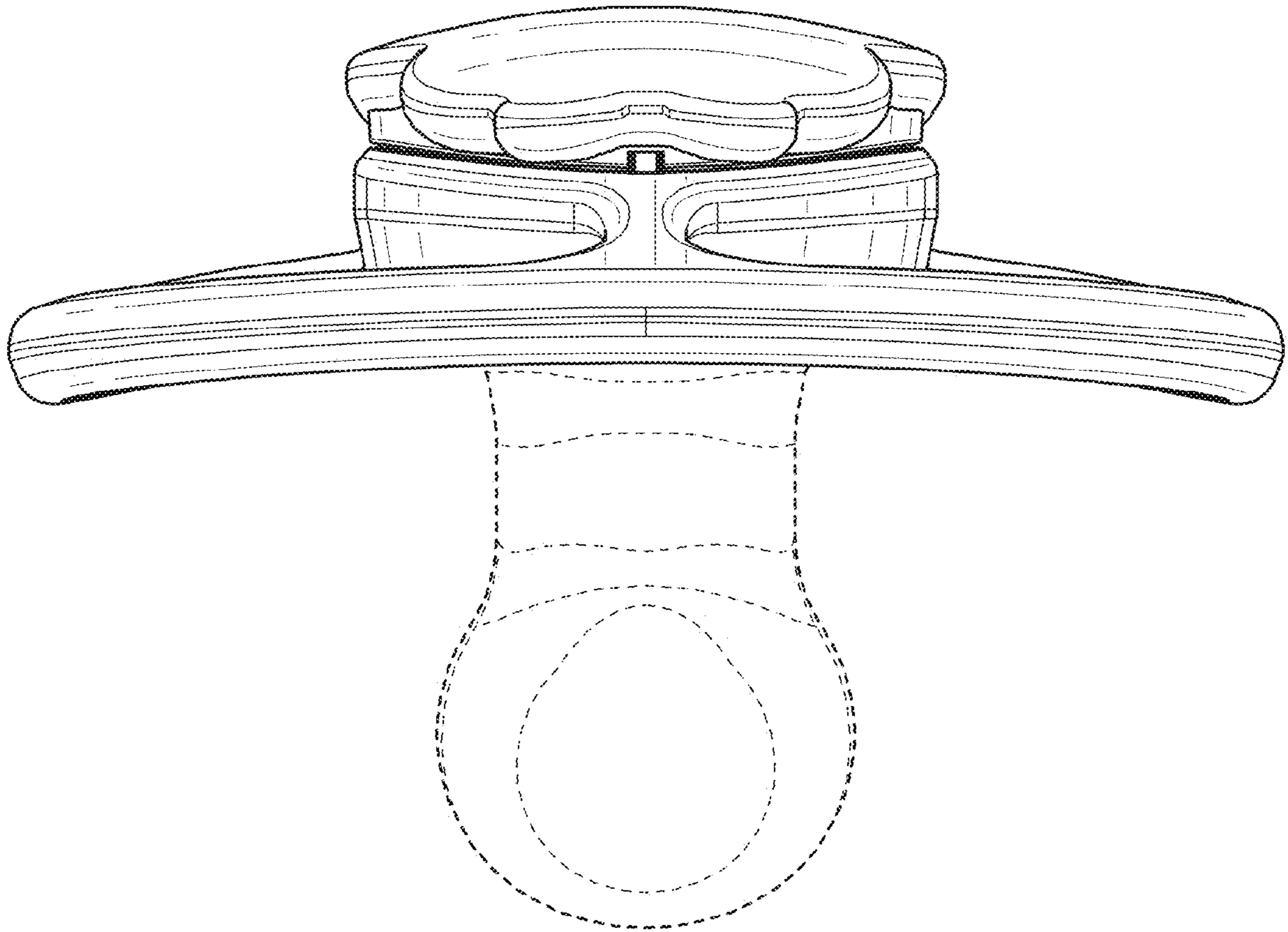


FIG. 6