



US00D908896S

(12) **United States Design Patent**
Bajor et al.

(10) **Patent No.:** **US D908,896 S**

(45) **Date of Patent:** **** Jan. 26, 2021**

- (54) **INFANT NUTRITIONAL DISPENSER**
- (71) Applicants: **Joseph Bajor**, Little Neck, NY (US);
Akshay Kamath, North Brunswick, NJ (US)
- (72) Inventors: **Joseph Bajor**, Little Neck, NY (US);
Akshay Kamath, North Brunswick, NJ (US)
- (**) Term: **15 Years**

5,728,137 A	3/1998	Anderson-Fignon	
6,110,193 A	8/2000	Chen	
D441,452 S *	5/2001	Johansen	D24/194
D630,334 S *	1/2011	Paige	D24/194
7,984,817 B1	7/2011	Everett	
8,568,450 B2	10/2013	Stewart	
8,651,108 B2	2/2014	Albano	
9,050,244 B2	6/2015	DeLaurier	
D739,540 S *	9/2015	Almonte	D24/195
9,452,109 B2	9/2016	Sheikh et al.	
9,925,145 B2	3/2018	Hubinette et al.	

(Continued)

- (21) Appl. No.: **29/665,705**
- (22) Filed: **Oct. 5, 2018**
- (51) **LOC (13) Cl.** **24-04**
- (52) **U.S. Cl.**
USPC **D24/194**
- (58) **Field of Classification Search**
USPC D24/193, 194, 195, 115, 117, 214;
D1/101, 104, 106, 107, 199; D21/576,
D21/584, 606, 607; D3/293, 301;
D30/160
CPC A61J 17/001; A61J 7/00
See application file for complete search history.

OTHER PUBLICATIONS

“Nutrivide: Nutrifier (1), 3rd Gen”. Found online Jun. 4, 2020 at facebook.com. Reference dated Apr. 24, 2018. Retrieved from https://www.facebook.com/Nutrivide/posts/165206364154688?_tn_=-R.*

(Continued)

Primary Examiner — Kendra Leslie Hamilton
(74) *Attorney, Agent, or Firm* — Werschulz Patent Law, LLC; Patricia P. Werschulz, Esq.

(56) **References Cited**

U.S. PATENT DOCUMENTS

635,226 A	10/1899	Borcher	
D33,212 S	9/1900	Meinecke	
2,824,561 A	2/1958	Richard	
3,610,297 A	10/1971	Raaf et al.	
4,078,566 A	3/1978	Urban, Jr.	
4,192,307 A	3/1980	Baer	
4,706,827 A	11/1987	Cabernoch et al.	
5,354,274 A	10/1994	Demeter et al.	
5,512,047 A	4/1996	Dvorak	
D377,830 S *	2/1997	Lai	D24/114
5,601,605 A	2/1997	Crowe et al.	
D378,417 S *	3/1997	Panagakos	D24/194
5,662,684 A	9/1997	Caso	
5,707,353 A *	1/1998	Mazer	A61J 7/0046 604/78

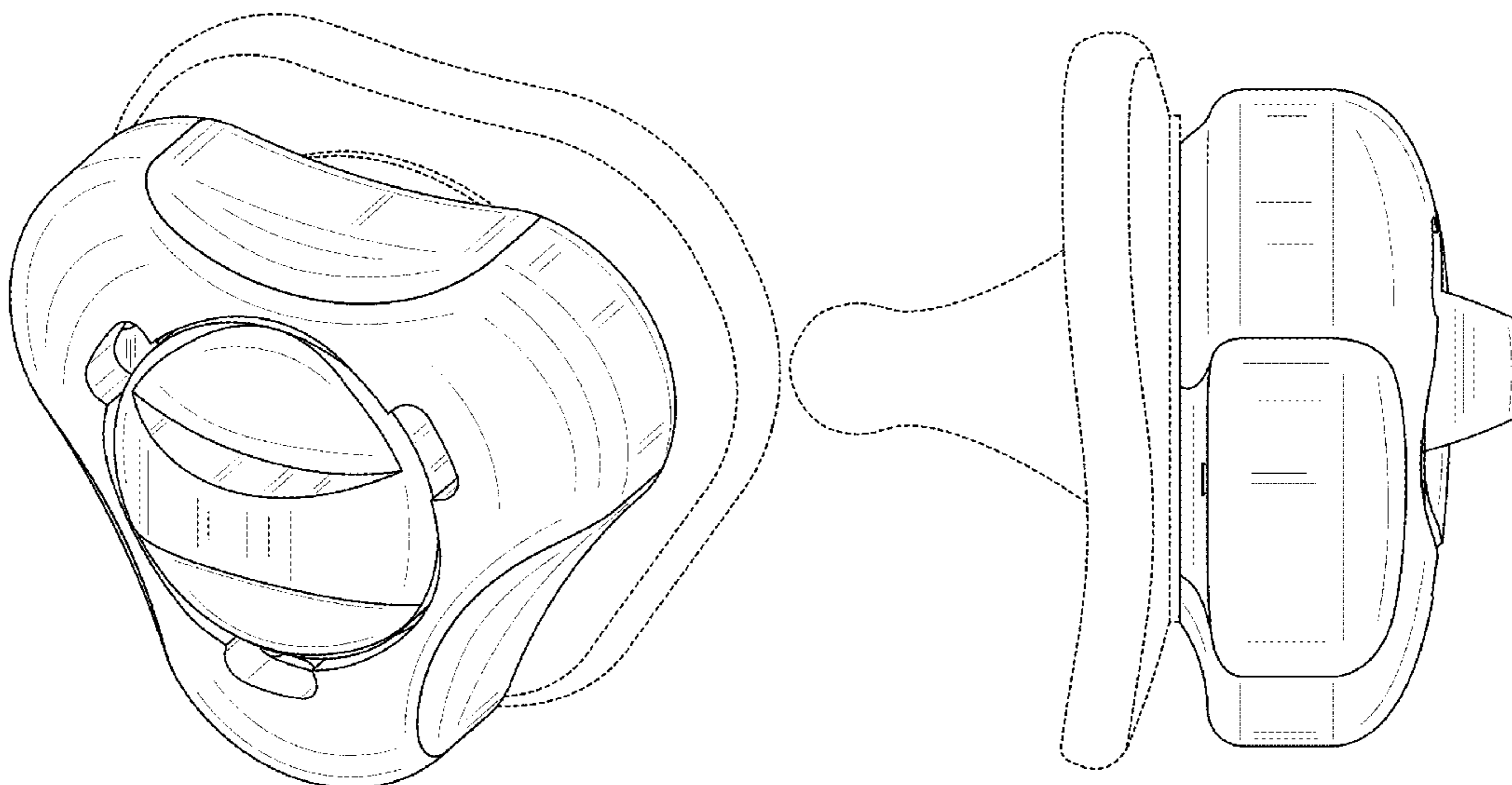
(57) **CLAIM**

The ornamental design for an infant nutritional dispenser, as shown and described.

DESCRIPTION

FIG. 1 is a bottom, front, right perspective view of an infant nutritional dispenser, showing our new design; FIG. 2 is a front elevation view thereof; FIG. 3 is a left side elevation view thereof, the right side being a mirror image thereof; FIG. 4 is a top plan view thereof; and, FIG. 5 is a bottom plan view thereof. The broken lines in the drawings depict portions of the infant nutritional dispenser that form no part of the claimed design.

1 Claim, 5 Drawing Sheets



(56)

References Cited

U.S. PATENT DOCUMENTS

9,974,714 B1 5/2018 Middleton
D836,786 S * 12/2018 Laskowski D24/194
D840,044 S * 2/2019 Rard D24/194
D841,822 S * 2/2019 Hagenauer D24/194
2012/0035655 A1* 2/2012 Trocki A61J 11/001
606/236
2016/0074287 A1* 3/2016 Wang A61M 5/315
604/77
2017/0290745 A1* 10/2017 Wiesman A61C 19/063
2020/0093706 A1* 3/2020 Larry A61J 7/0053

OTHER PUBLICATIONS

“Nutrivide: Nutrifier (3)”. Found online Jun. 4, 2020 at facebook.com. Reference dated Mar. 4, 2018. Retrieved from <https://www.facebook.com/Nutrivide/photos/a.153006665374658/153006655374659/?type=3&theater>.*

“Nutrivide: Nutrifier (4)”. Found online Jun. 4, 2020 at instagram.com. Reference dated May 1, 2020. Retrieved from https://www.instagram.com/p/B_gVyHVJpCi/.*

“Tommee Tippee Breast-Like Soother”. Found online Apr. 3, 2020 at instagram.com. Reference dated Feb. 4, 2019. Retrieved from https://www.instagram.com/p/Btd_3VrAFfs/.*

* cited by examiner

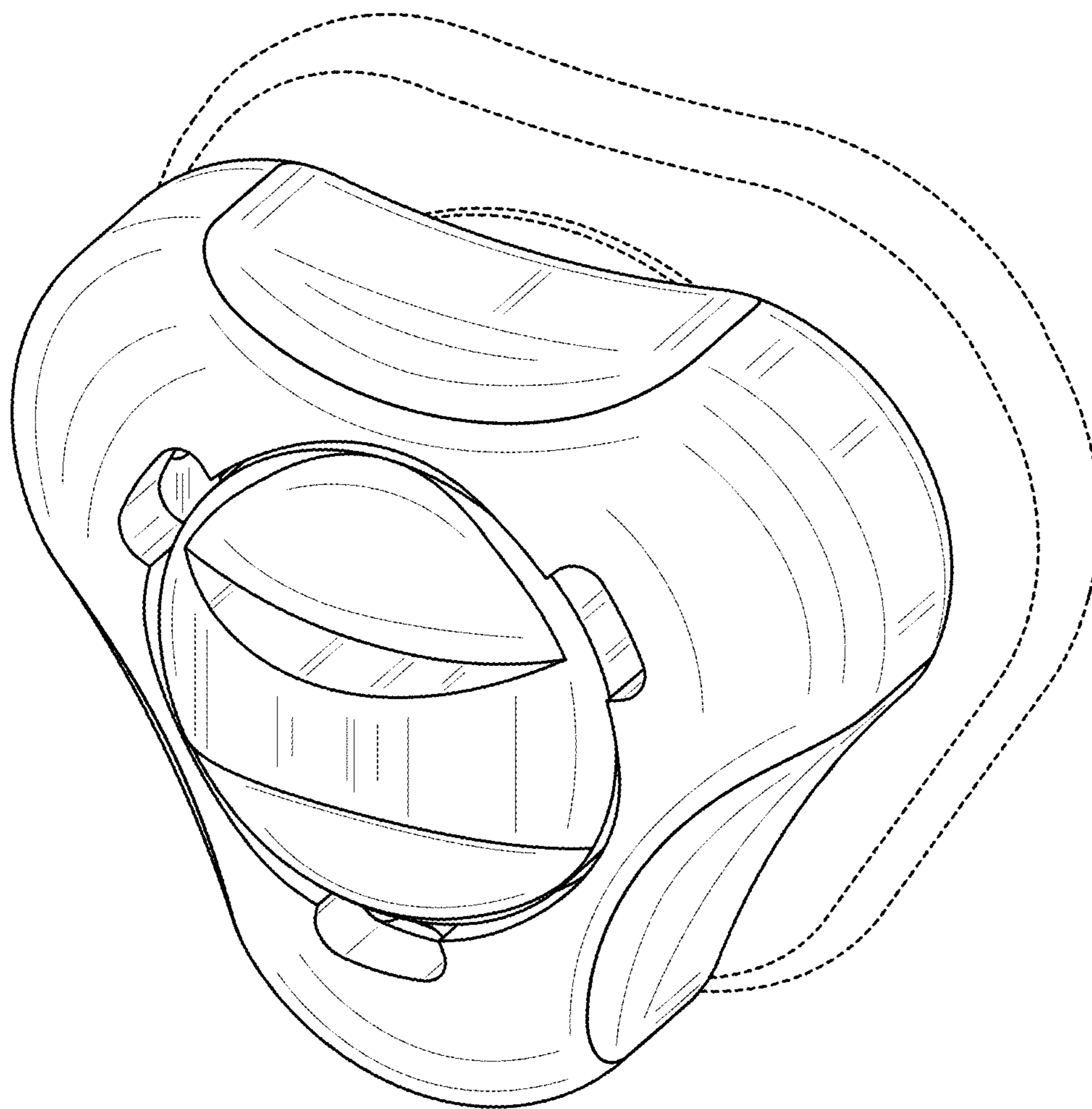


FIG. 1

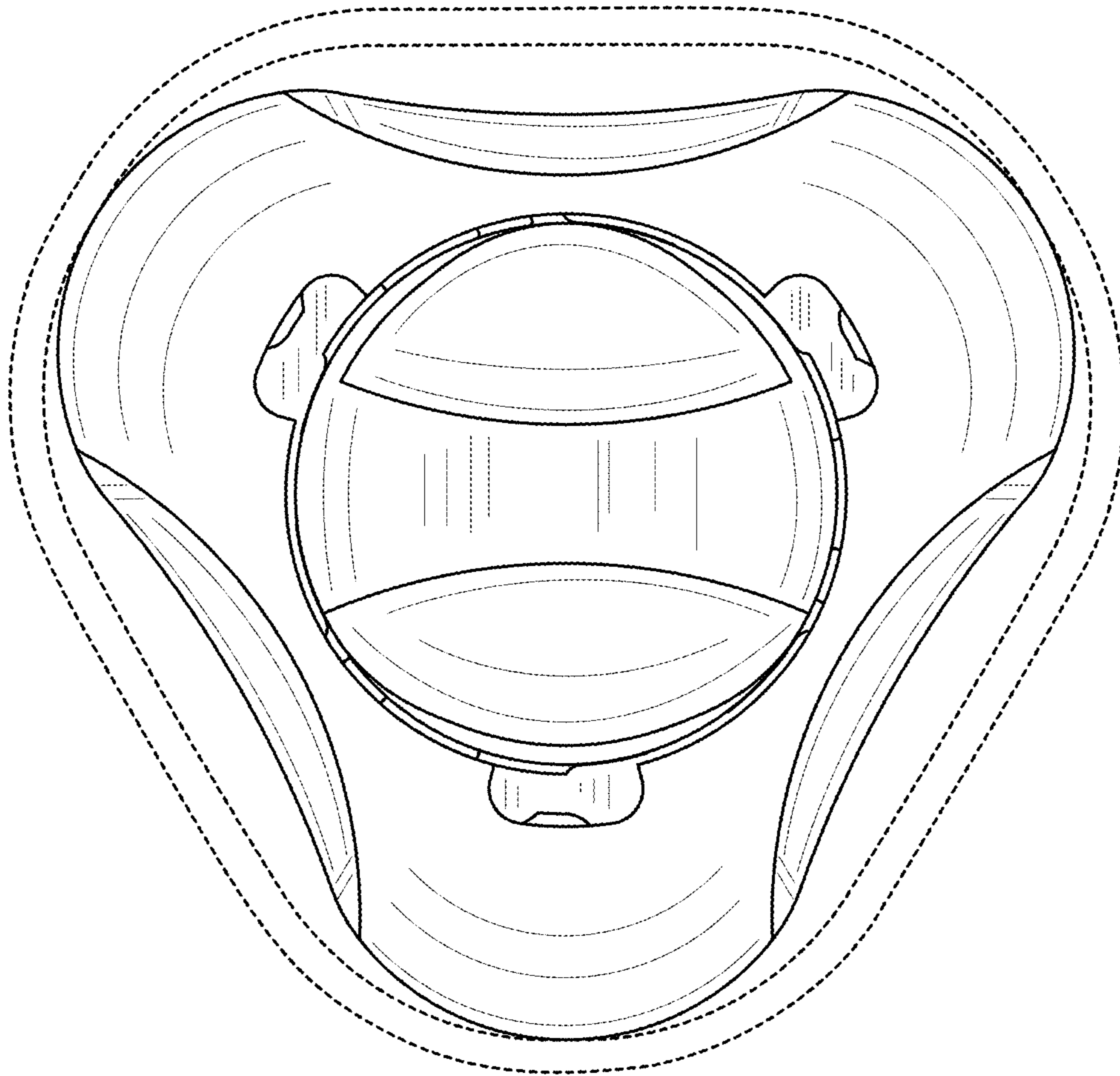


FIG. 2

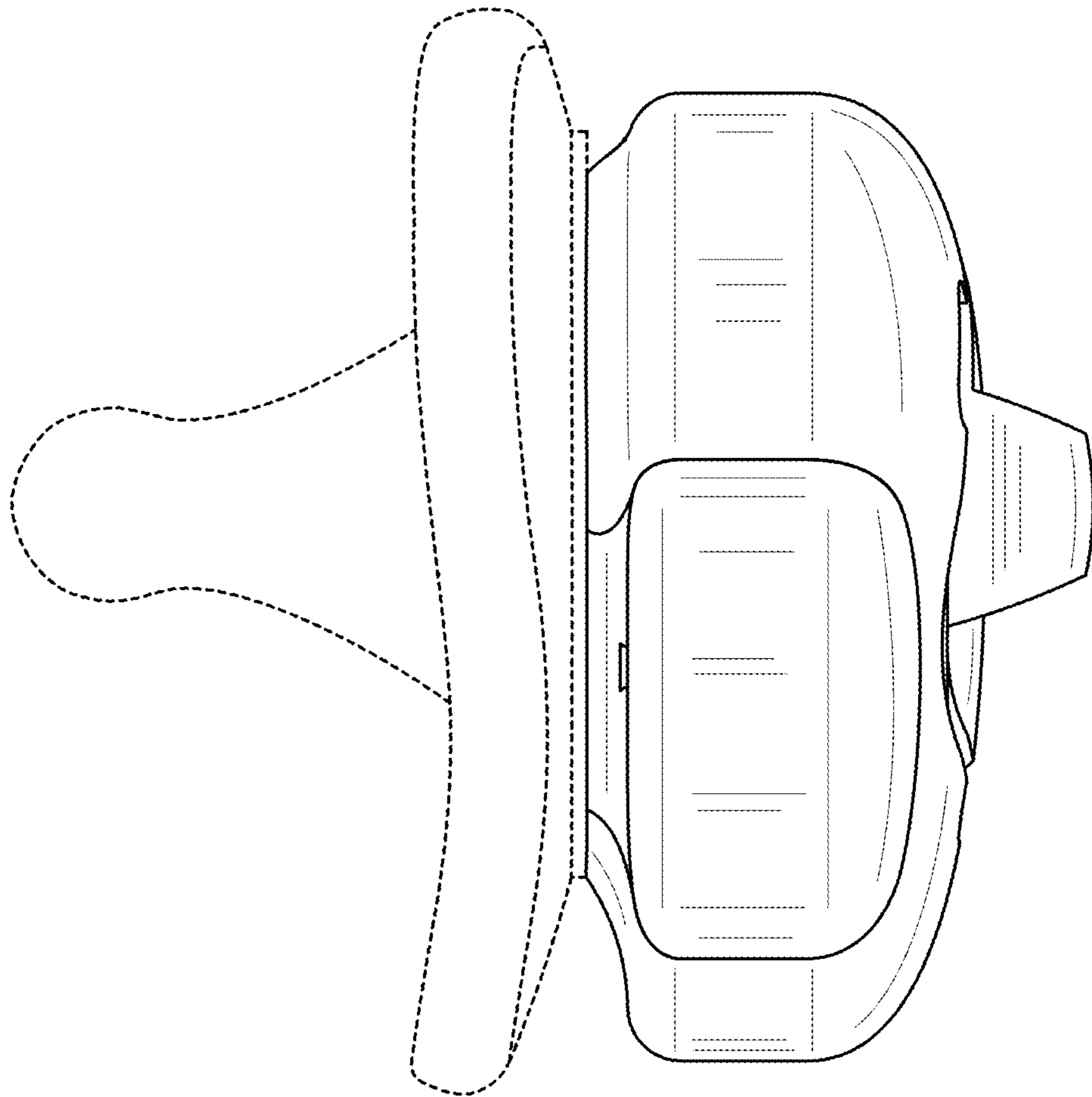


FIG. 3

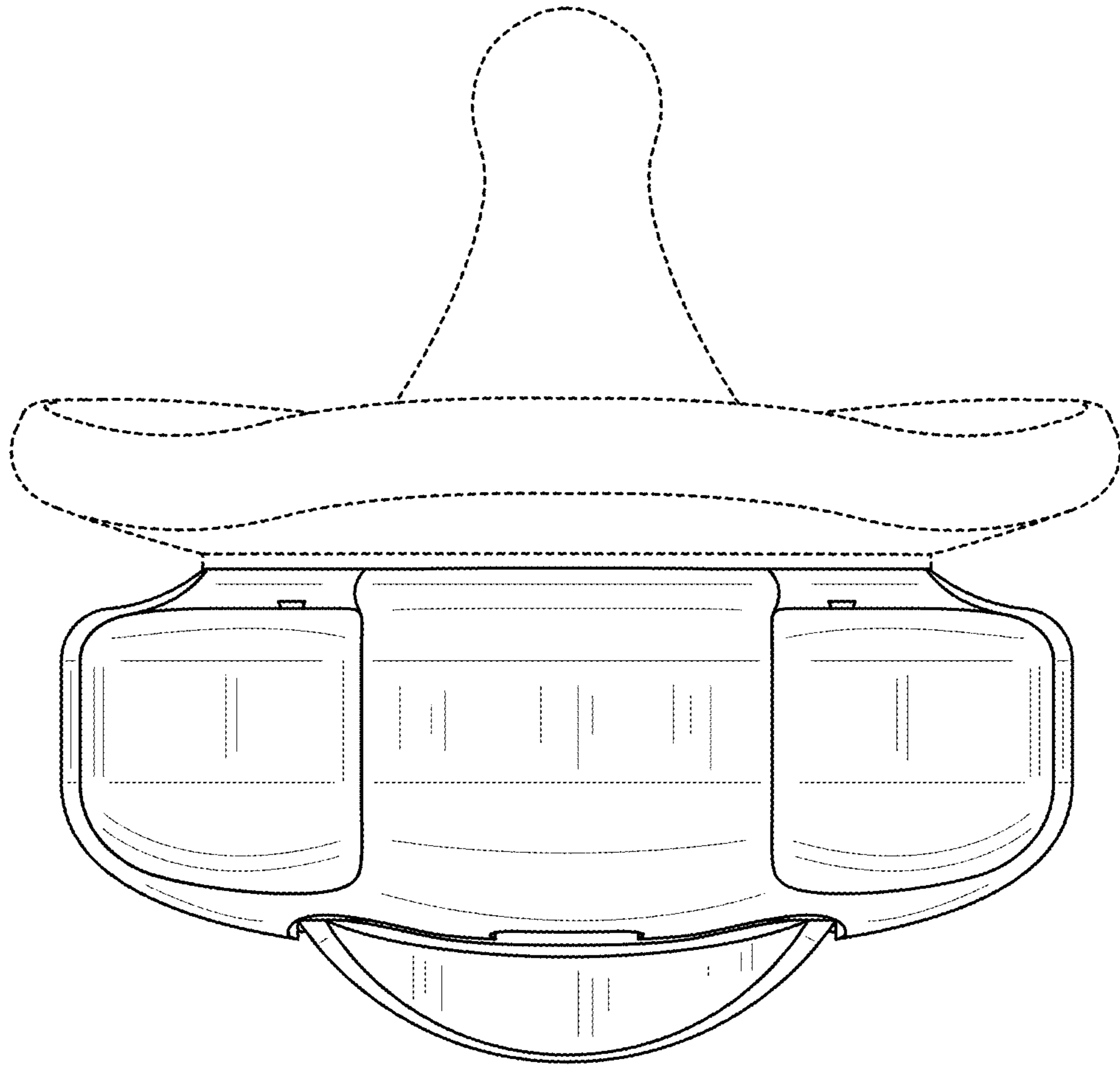


FIG. 4

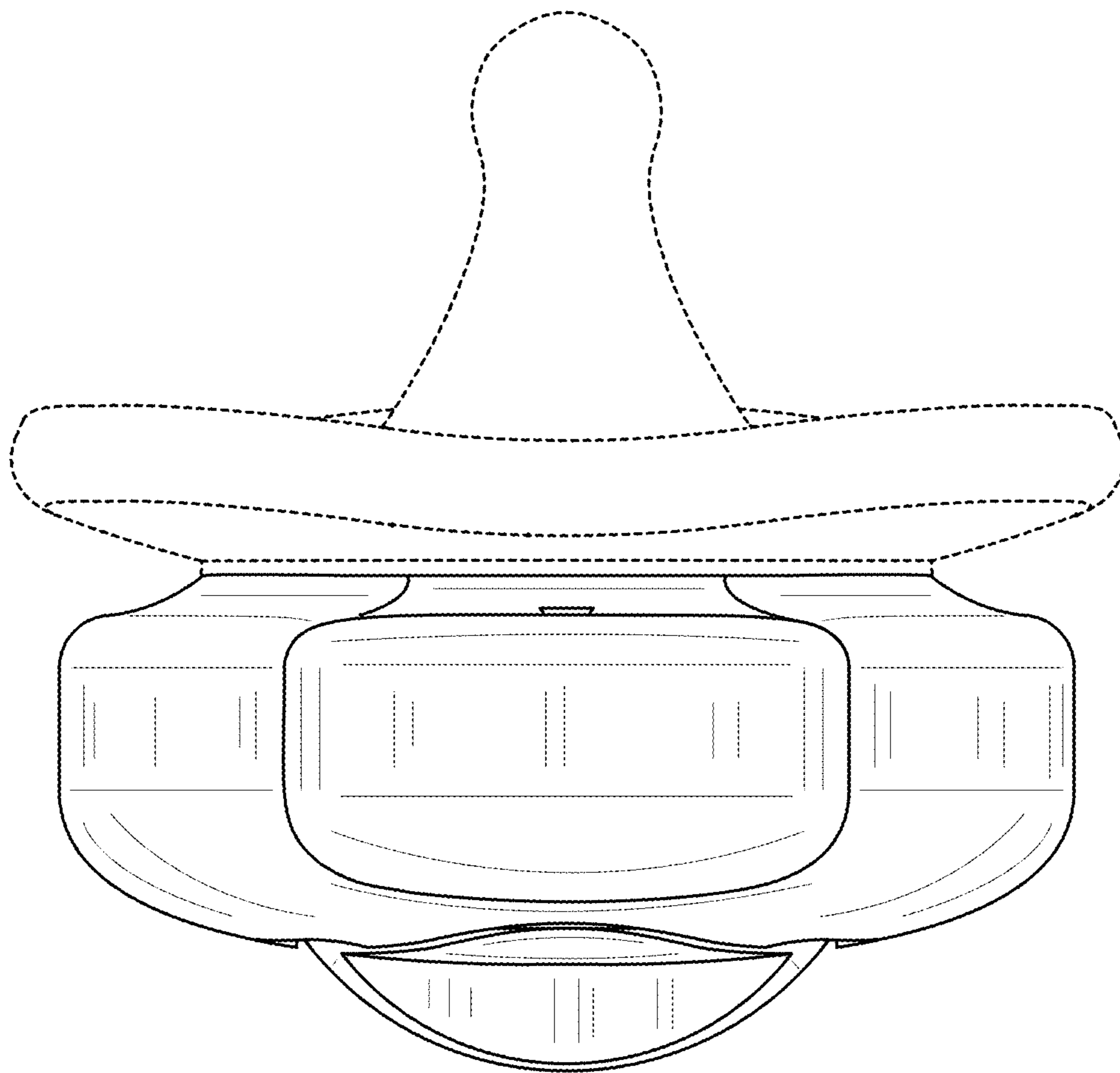


FIG. 5