



US00D908895S

(12) **United States Design Patent** (10) **Patent No.:** **US D908,895 S**
Deriso (45) **Date of Patent:** **** Jan. 26, 2021**

- (54) **HAND-HELD HEALTH MONITOR**
- (71) Applicant: **Simple Health Labs, Inc.**, San Francisco, CA (US)
- (72) Inventor: **David Michael Deriso**, San Francisco, CA (US)
- (73) Assignee: **Bluu Co.**, San Francisco, CA (US)
- (**) Term: **15 Years**
- (21) Appl. No.: **29/726,650**
- (22) Filed: **Mar. 4, 2020**

D783,838 S *	4/2017	Zhao	D24/186
9,622,710 B2 *	4/2017	Banet	A61B 5/0004
D879,968 S *	3/2020	Deriso	D24/186
2009/0096748 A1 *	4/2009	Wu	A61B 5/02055
				345/157
2013/0137991 A1 *	5/2013	Fright	A61B 5/0013
				600/476
2015/0201876 A1 *	7/2015	Zhou	A61B 5/0261
				600/324
2017/0188828 A1 *	7/2017	Banet	A61B 5/0452
2019/0125270 A1 *	5/2019	Deriso	A61B 5/6826

* cited by examiner

Primary Examiner — Anhdao Doan

(74) Attorney, Agent, or Firm — Fenwick & West LLP

(57) **CLAIM**

The ornamental design for a hand-held health monitor, as shown and described.

DESCRIPTION

FIG. 1 is a front and right perspective view of a hand-held health monitor;
 FIG. 2 is a right view thereof;
 FIG. 3 is a left view thereof;
 FIG. 4 is a front view thereof;
 FIG. 5 is a rear view thereof;
 FIG. 6 is a top view thereof;
 FIG. 7 is a bottom view thereof;
 FIG. 8 is a cross-sectional view thereof taken along the lines 8-8 of FIG. 6; and,
 FIG. 9 is a cross-sectional view thereof taken along the lines 9-9 of FIG. 6.

The broken lines immediately adjacent to the shaded areas represent the bounds of the claim, while all other broken lines are directed to environment and are for illustrative purposes only; the broken lines form no part of the claimed design.

1 Claim, 9 Drawing Sheets

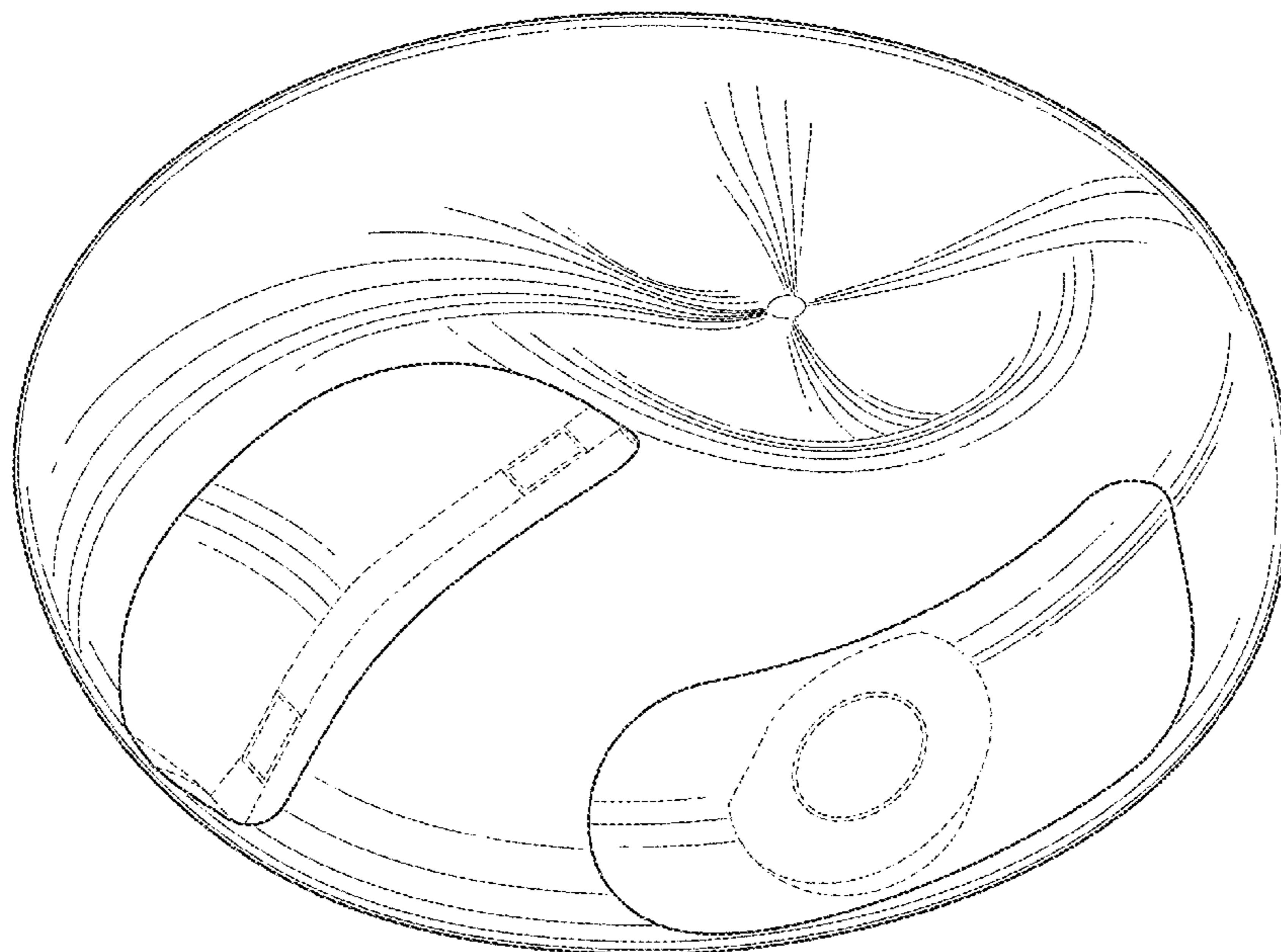
Related U.S. Application Data

- (62) Division of application No. 29/623,024, filed on Oct. 20, 2017, now Pat. No. Des. 879,968.
- (51) **LOC (13) Cl.** **24-02**
- (52) **U.S. Cl.**
USPC **D24/186**
- (58) **Field of Classification Search**
USPC D24/165–168, 186, 187; D10/46, 70, 98
CPC A61B 5/0402; A61B 5/0404; A61B 5/021;
A61B 5/024; A61B 5/02438; A61B
5/681; A61B 2560/0205; A61B
2560/0462; A61B 5/0205; A61B 5/6823;
A61B 5/6826; A61B 5/6843
See application file for complete search history.

(56) **References Cited**

U.S. PATENT DOCUMENTS

- 5,638,816 A * 6/1997 Kiani-Azarbayjany
A61B 5/14532
356/39
- D446,582 S * 8/2001 Hayakawa D24/165
- D516,217 S * 2/2006 Brown D24/186



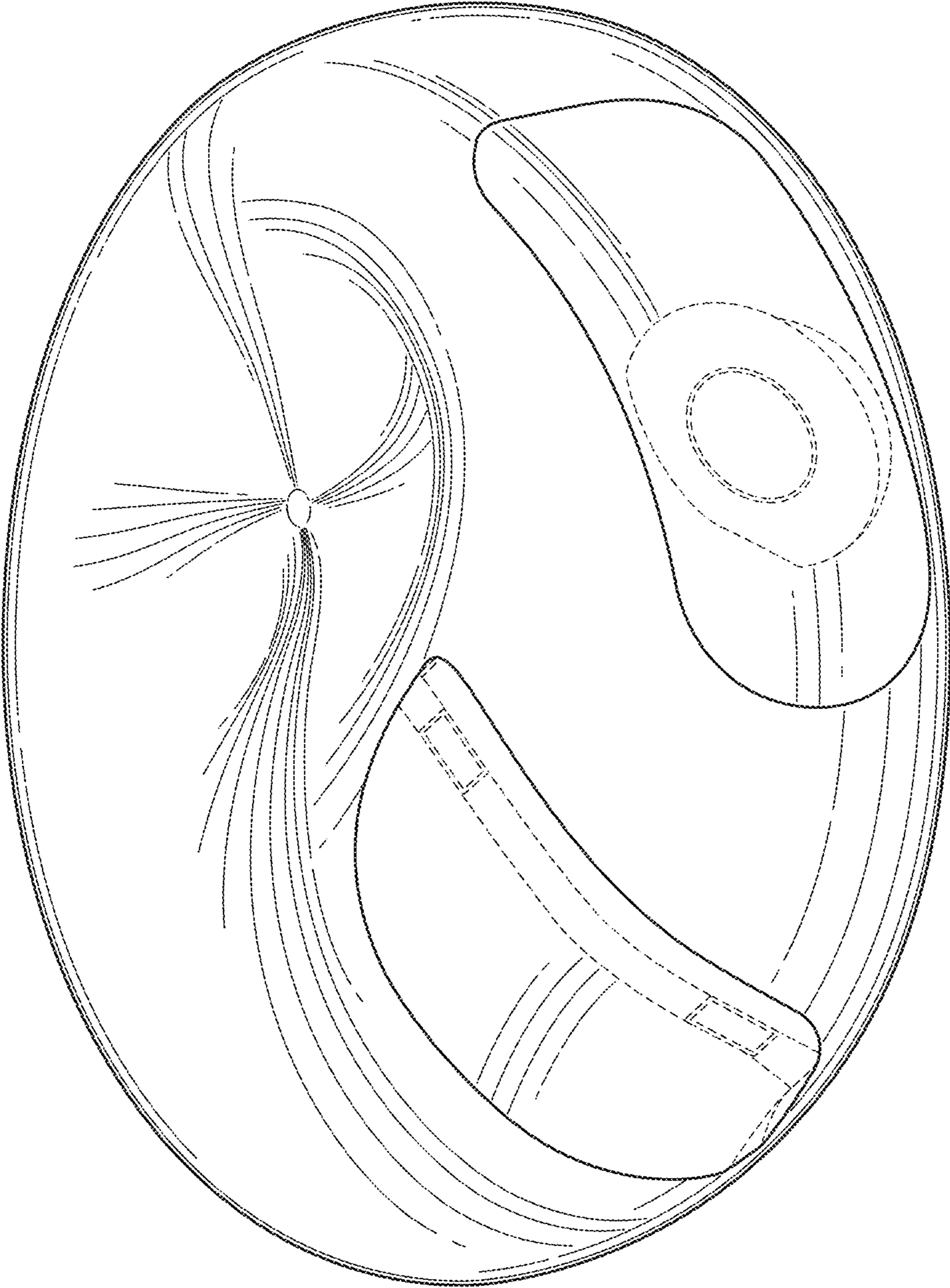


FIG. 1

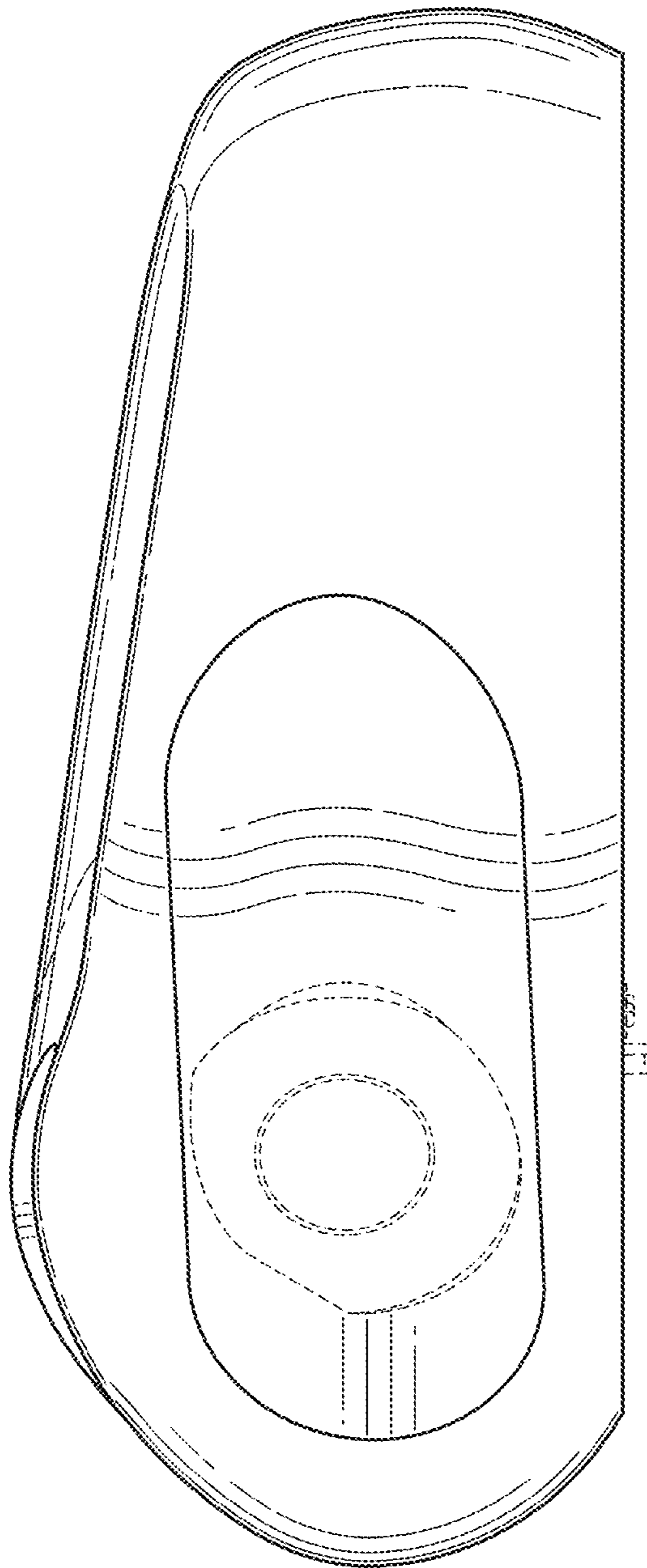


FIG. 2

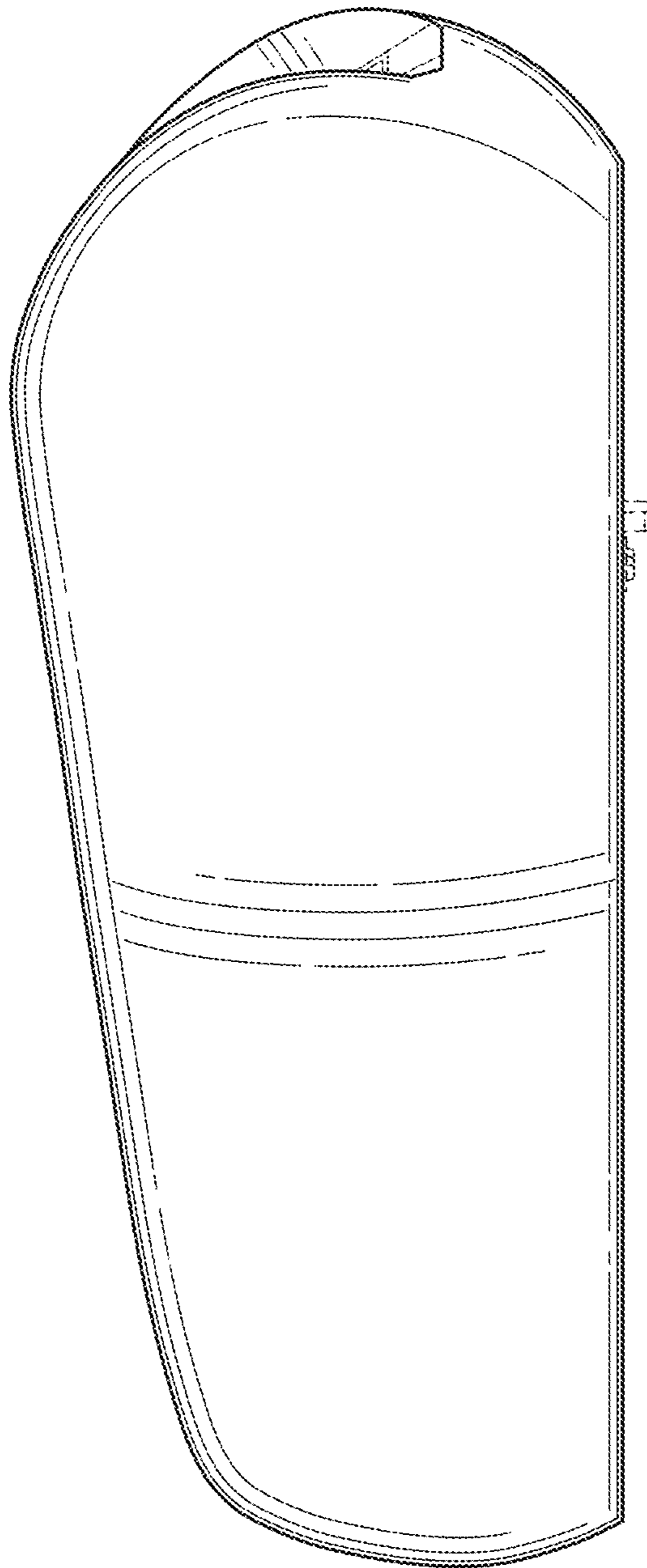


FIG. 3

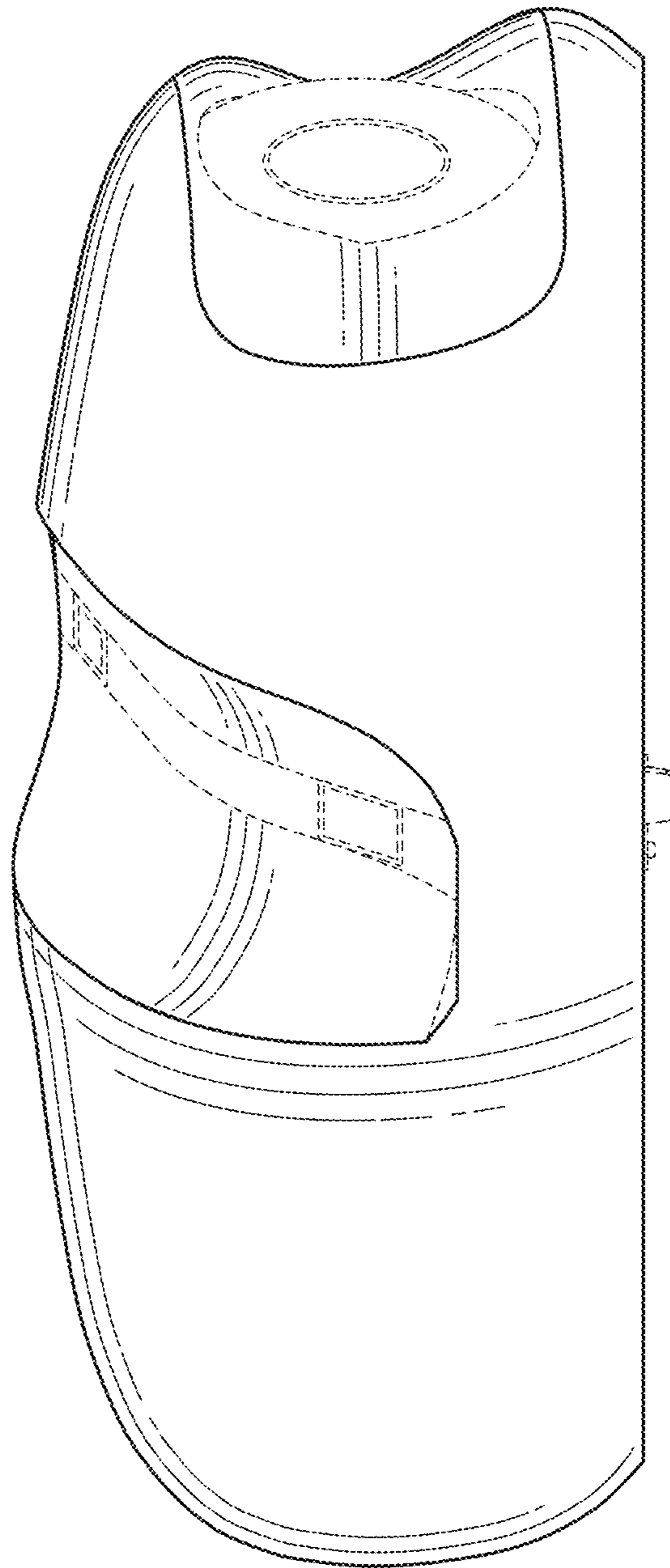


FIG. 4

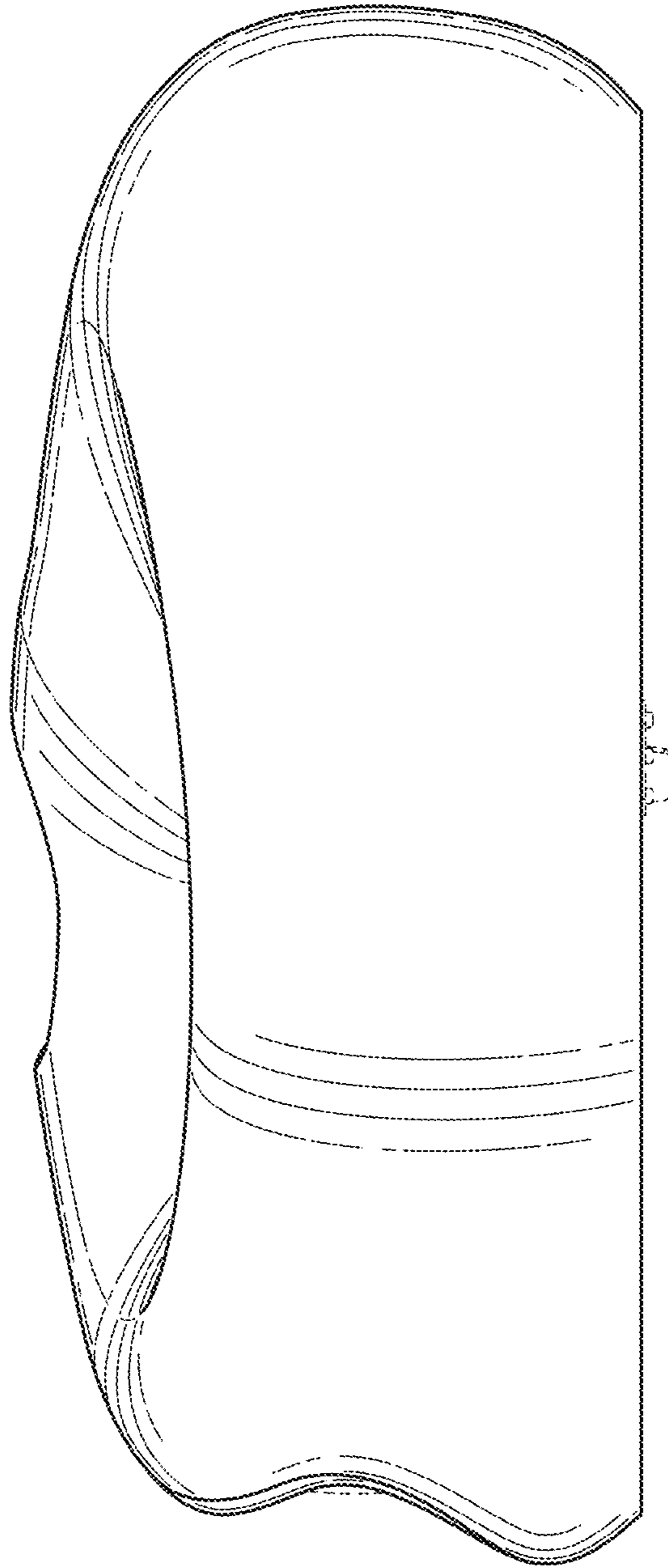


FIG. 5

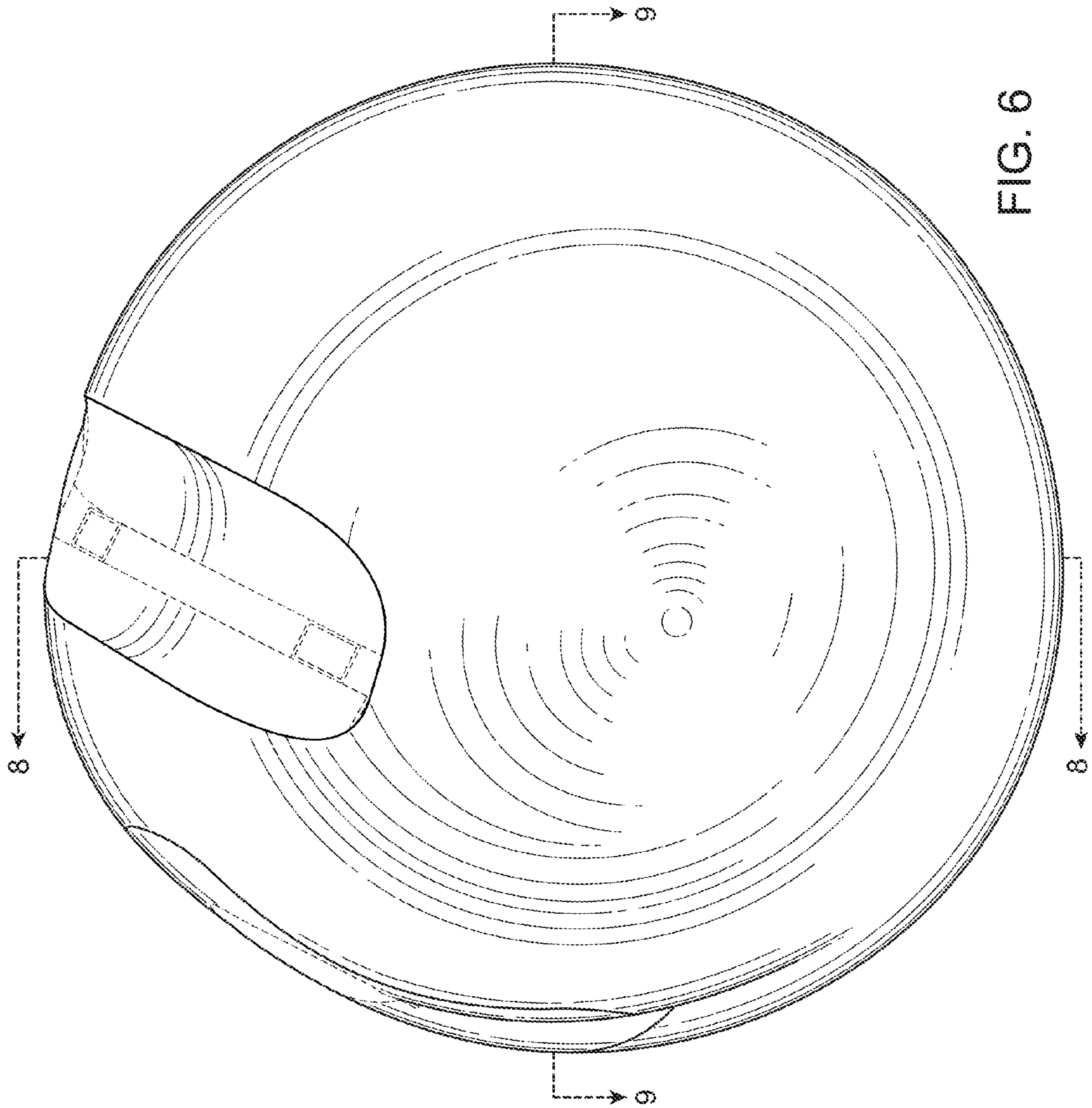


FIG. 6

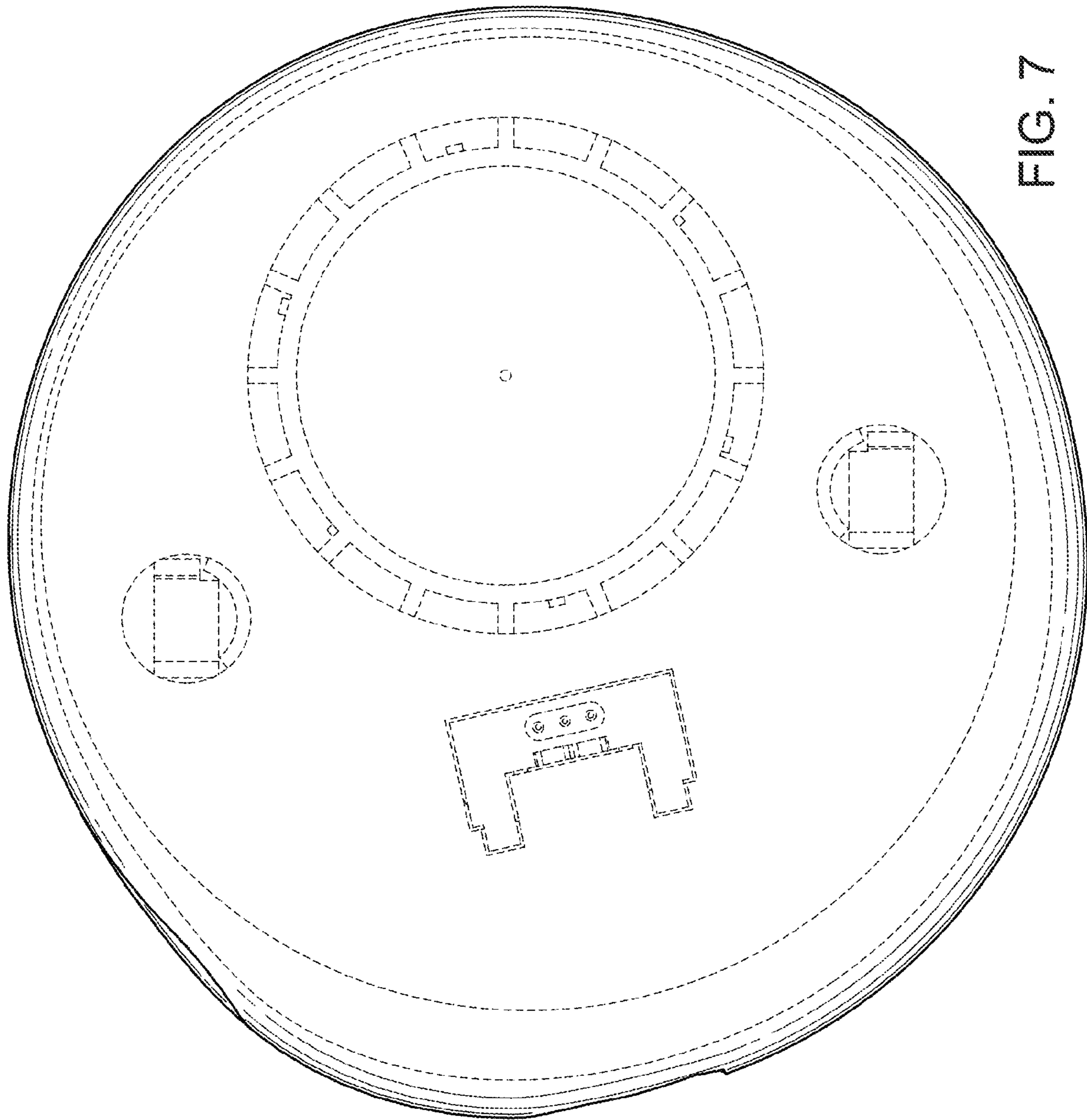


FIG. 7

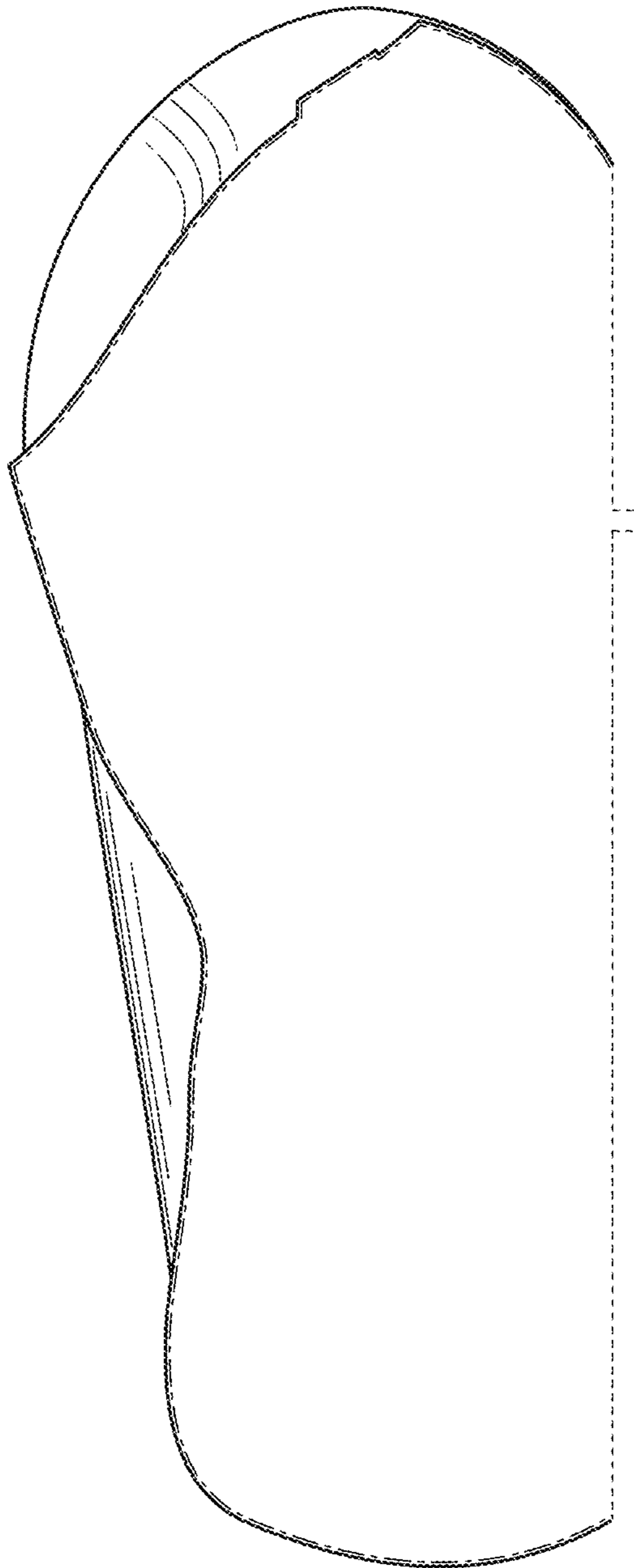


FIG. 8

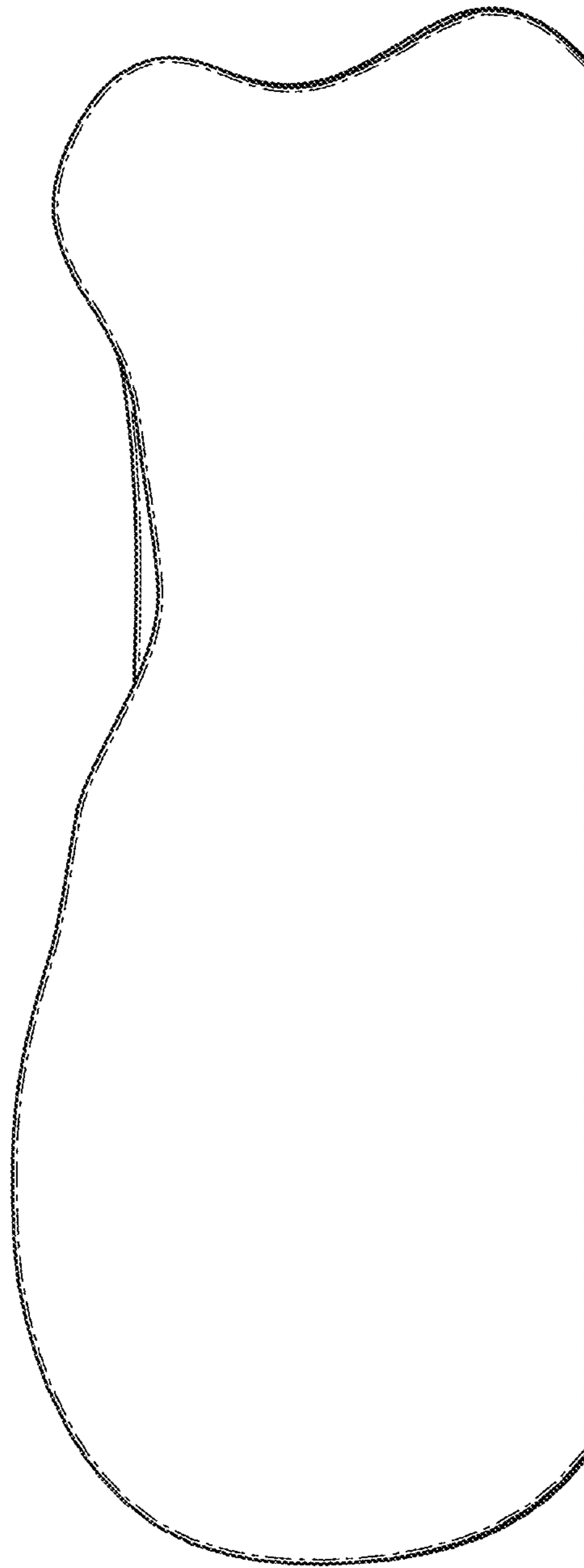


FIG. 9

UNITED STATES PATENT AND TRADEMARK OFFICE
CERTIFICATE OF CORRECTION

PATENT NO. : D908,895 S
APPLICATION NO. : 29/726650
DATED : January 26, 2021
INVENTOR(S) : David Michael Deriso

Page 1 of 1

It is certified that error appears in the above-identified patent and that said Letters Patent is hereby corrected as shown below:

On the Title Page

Item (71), in Column 1, in "Applicant", Line 1, delete "Simple Health Labs, Inc.," and insert -- Blueue Co., --, therefor.

Signed and Sealed this
Twenty-fourth Day of August, 2021



Drew Hirshfeld
*Performing the Functions and Duties of the
Under Secretary of Commerce for Intellectual Property and
Director of the United States Patent and Trademark Office*