

US00D908894S

(12) **United States Design Patent** (10) **Patent No.:** **US D908,894 S**
Eslava et al. (45) **Date of Patent:** **** Jan. 26, 2021**

(54) **ELECTRONIC VISUAL DISPLAY MONITOR**

(56) **References Cited**

(71) Applicant: **Drägerwerk AG & Co. KGaA**, Lübeck (DE)

U.S. PATENT DOCUMENTS

(72) Inventors: **Juan P. Eslava**, Groton, MA (US);
Peter A. Lund, Nashua, NH (US);
Thomas Swyst, Arlington, MA (US)

D606,659 S *	12/2009	Kiani	D24/186
8,353,842 B2 *	1/2013	Al-Ali	A61B 5/7475 600/502
D725,784 S *	3/2015	Xia	D24/186
D733,892 S *	7/2015	Fries	D24/186
D745,167 S *	12/2015	Canas	D24/186
D822,215 S *	7/2018	Al-Ali	D24/186
D878,599 S *	3/2020	Eslava	D24/186
D895,122 S *	9/2020	Benedikter	D24/177
D895,123 S *	9/2020	He	D24/186

(73) Assignee: **Drägerwerk AG & Co. KGaA**

(**) Term: **15 Years**

* cited by examiner

(21) Appl. No.: **29/725,610**

Primary Examiner — Anhdao Doan

(22) Filed: **Feb. 26, 2020**

(74) *Attorney, Agent, or Firm* — Design IP

Related U.S. Application Data

(62) Division of application No. 29/629,533, filed on Dec. 13, 2017, now Pat. No. Des. 878,599.

(51) **LOC (13) Cl.** **24-02**

(52) **U.S. Cl.**
USPC **D24/186**

(58) **Field of Classification Search**
USPC D24/107, 165–169, 185–187; D10/98;
D14/307, 336, 371
CPC ... A61B 5/742; A61B 5/14551; A61B 5/0205;
A61B 5/02055; A61B 5/02405; A61B
5/02411; A61B 5/02438; A61B 5/02427;
A61B 2560/0406; A61B 2560/0443;
A61B 2560/431; A61B 2560/045; A61B
2560/0456; A61B 2560/0487

See application file for complete search history.

(57) **CLAIM**

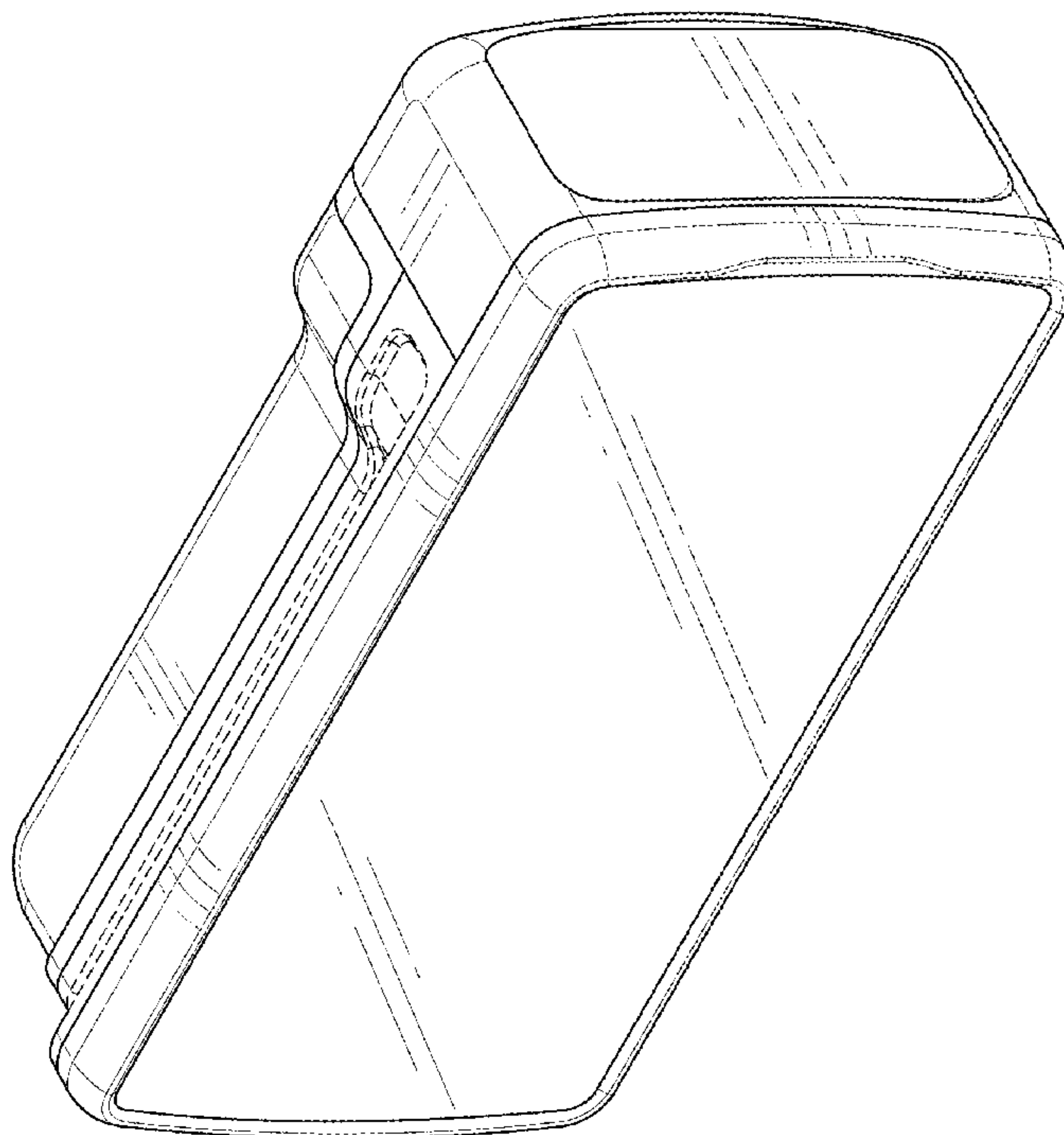
The ornamental design for an electronic visual display monitor, as shown and described.

DESCRIPTION

FIG. 1 is a front perspective view of an electronic visual display monitor showing our new design; FIG. 2 is a rear perspective view thereof; FIG. 3 is a front view thereof; FIG. 4 is a rear view thereof; FIG. 5 is a left side view thereof; FIG. 6 is a right side view thereof; FIG. 7 is a top view thereof; and, FIG. 8 is a bottom view thereof.

The broken lines immediately adjacent to the shaded areas represent the bounds of the claim, and the remaining broken lines represent environment; the broken lines form no part of the claimed design.

1 Claim, 8 Drawing Sheets



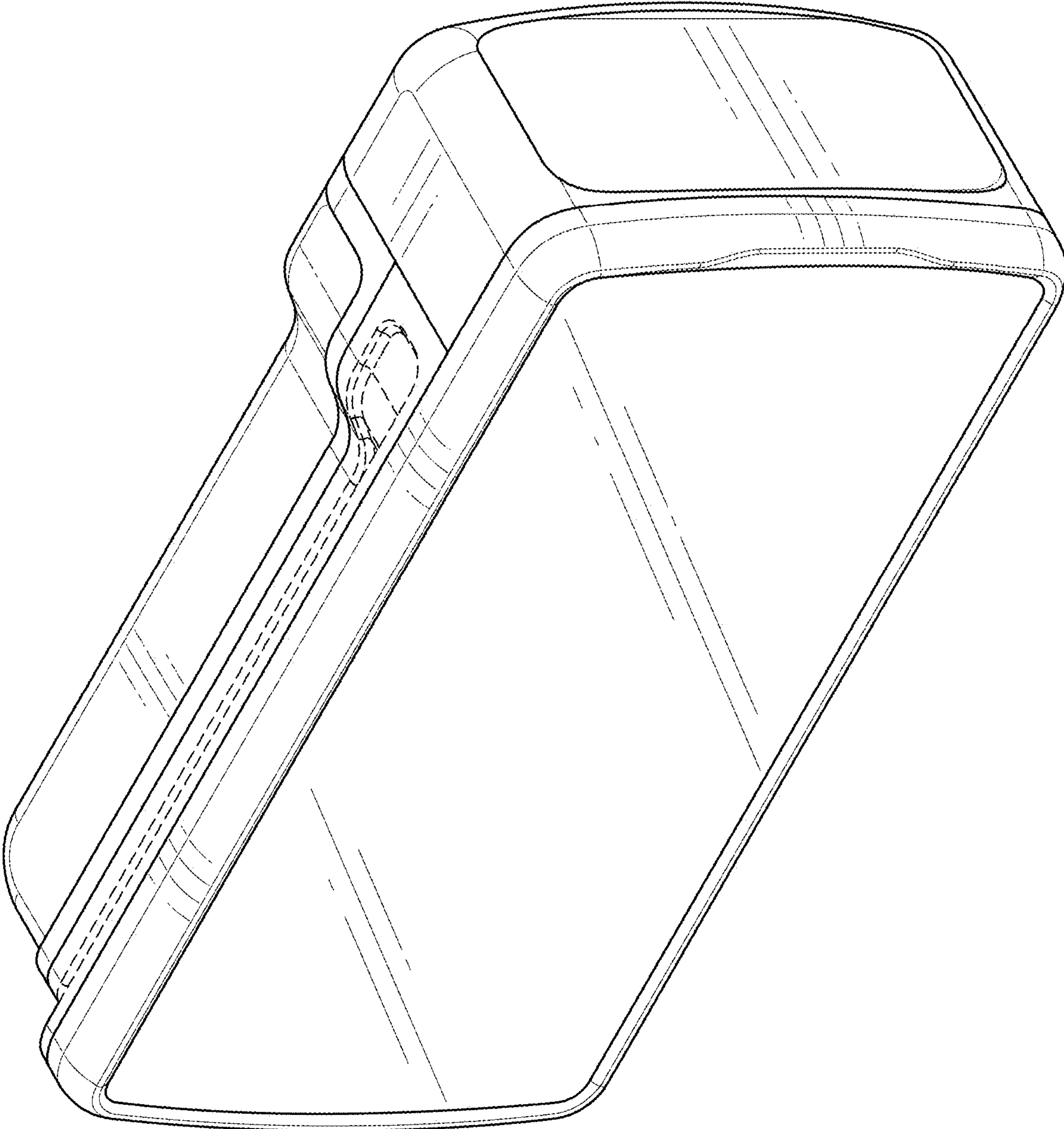


FIG. 1

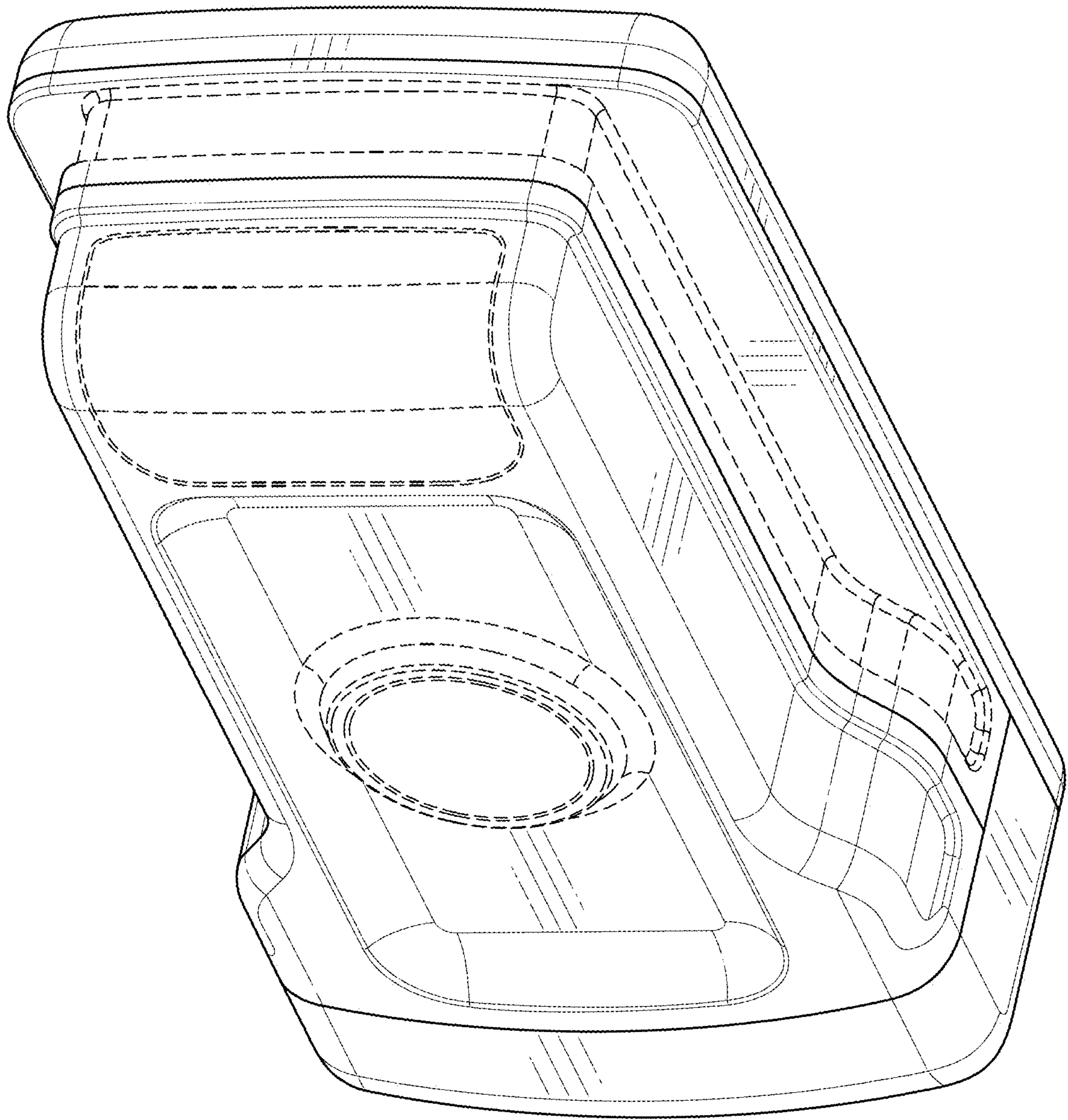


FIG. 2

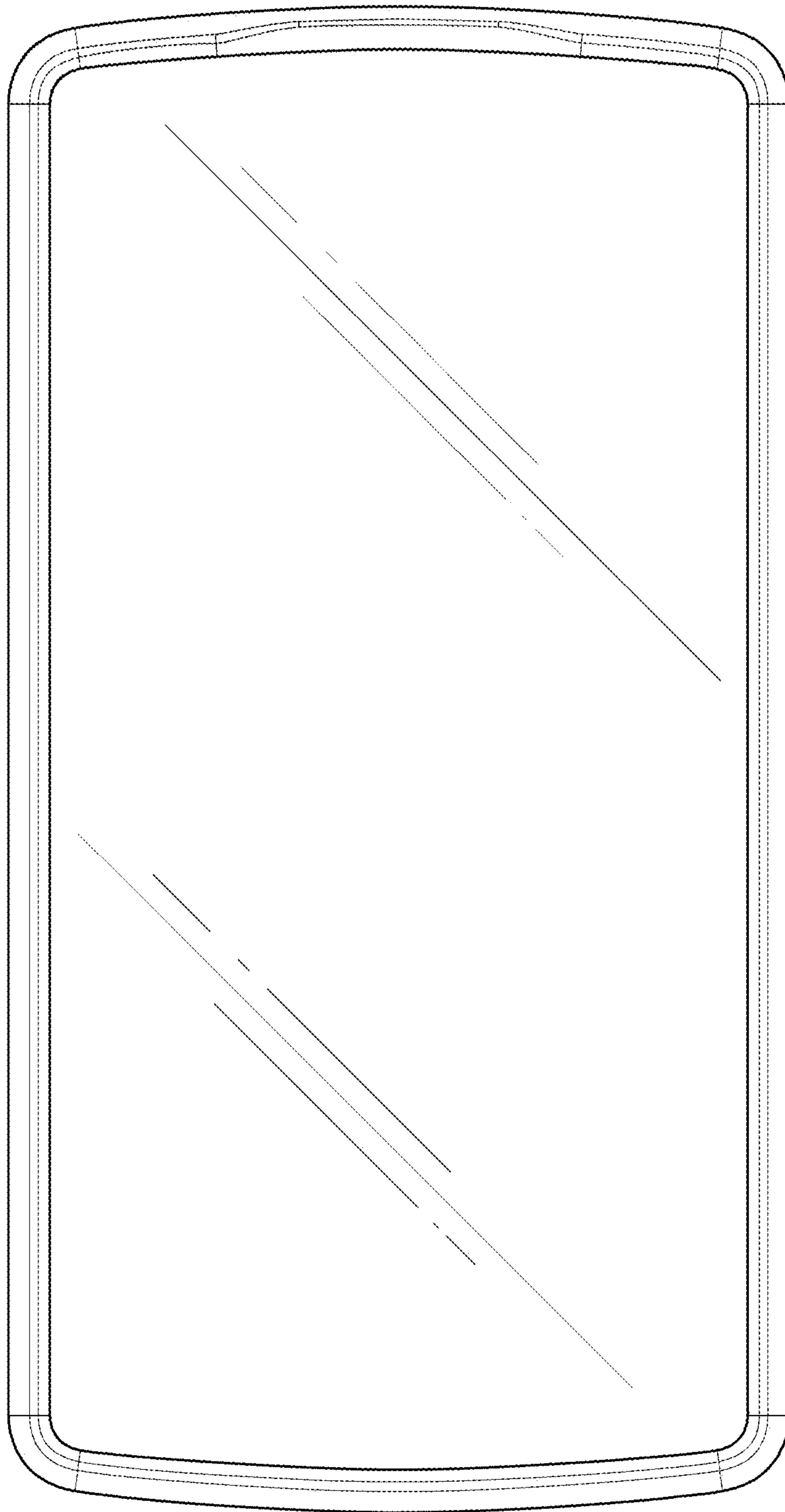


FIG. 3

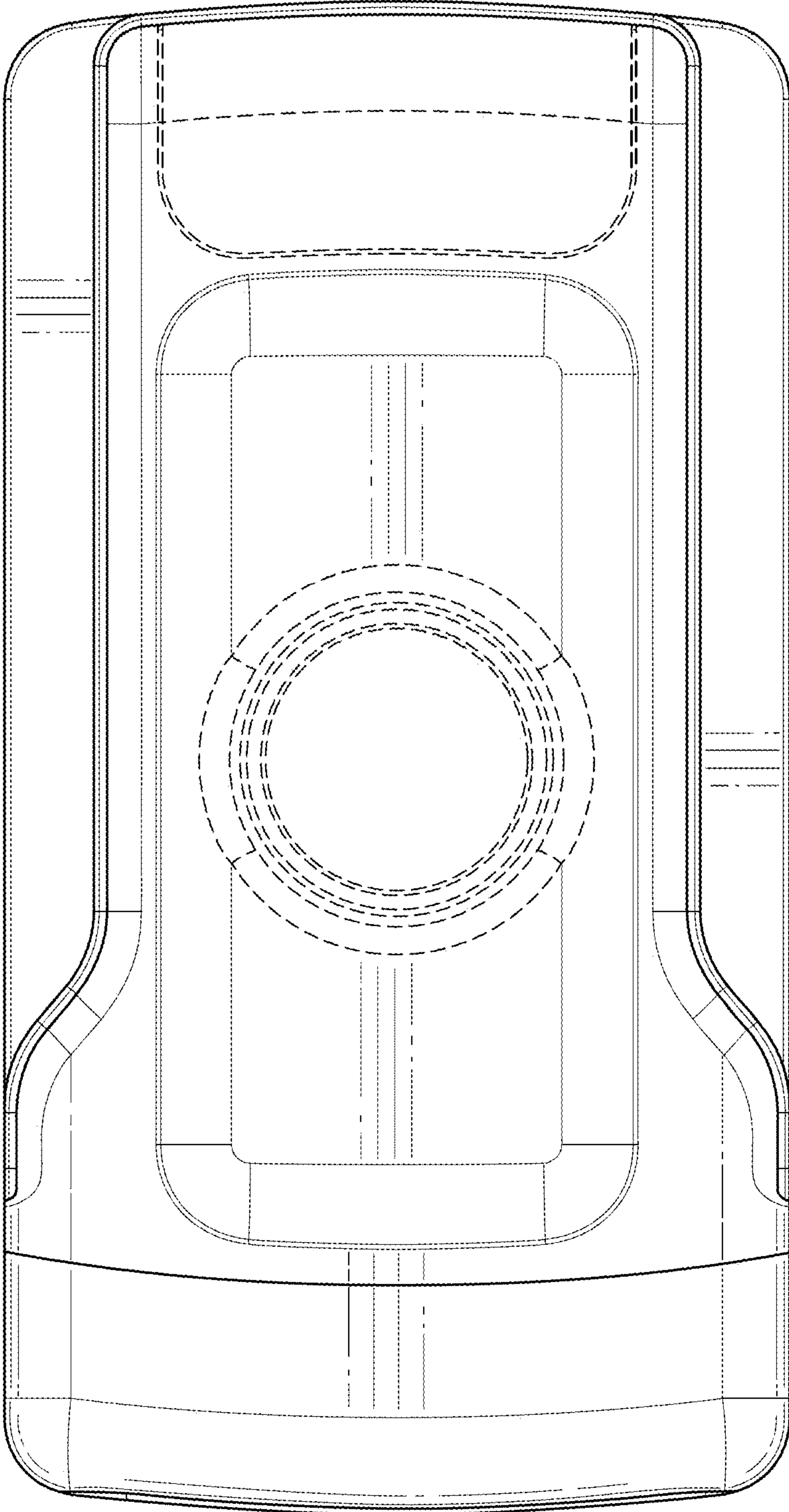


FIG. 4

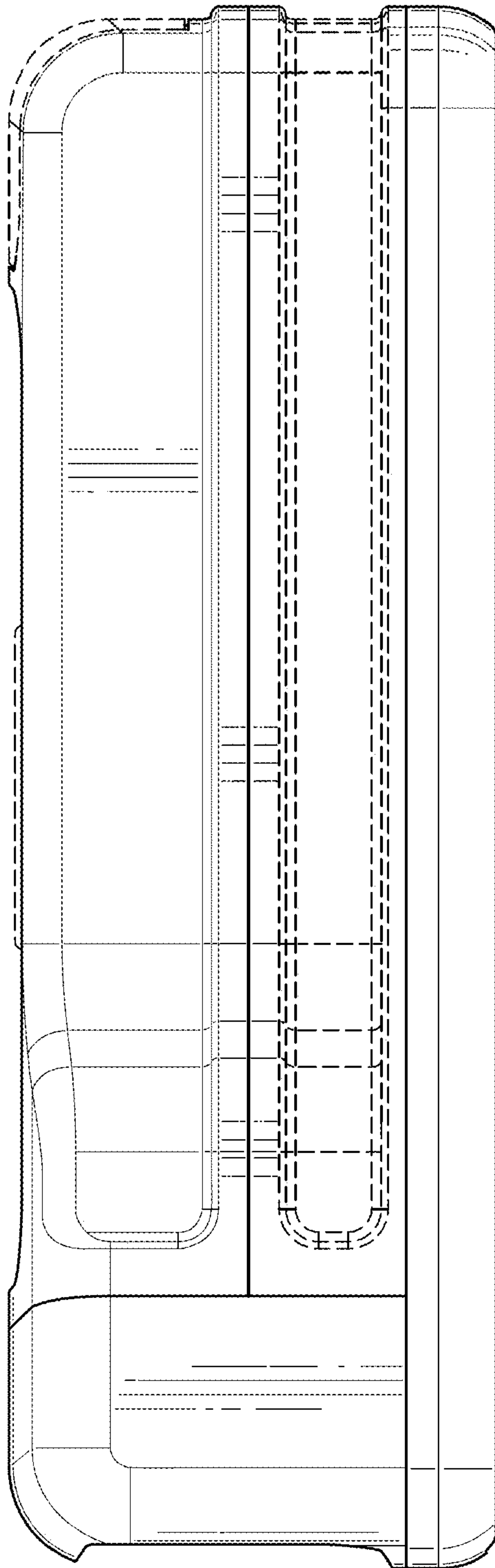


FIG. 5

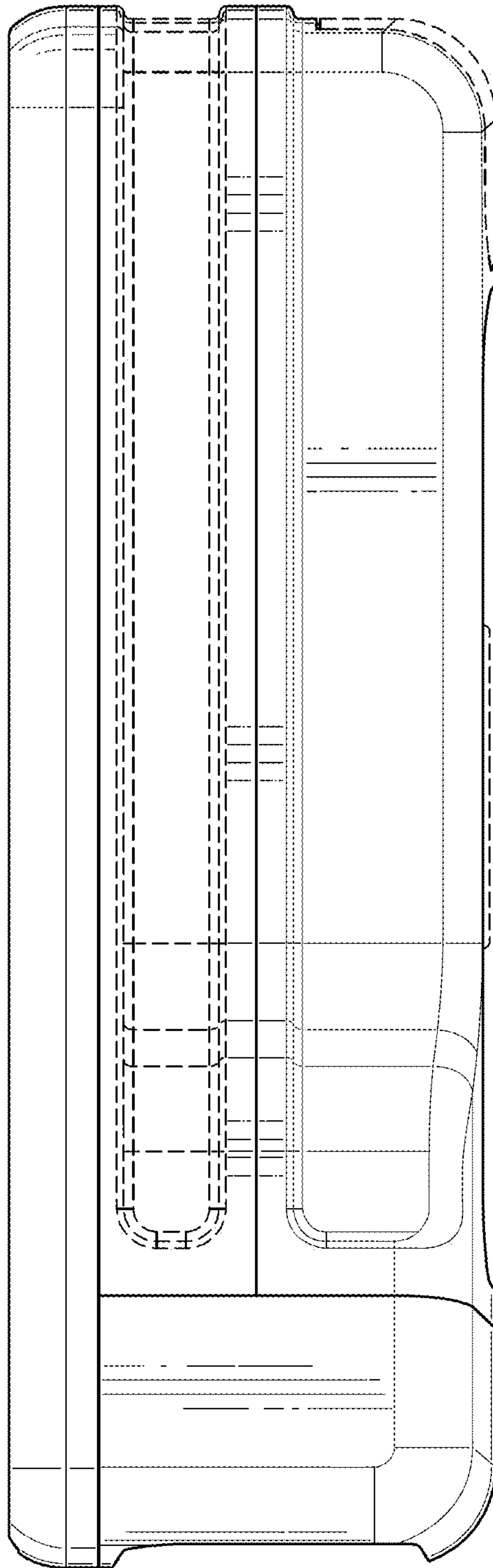


FIG. 6

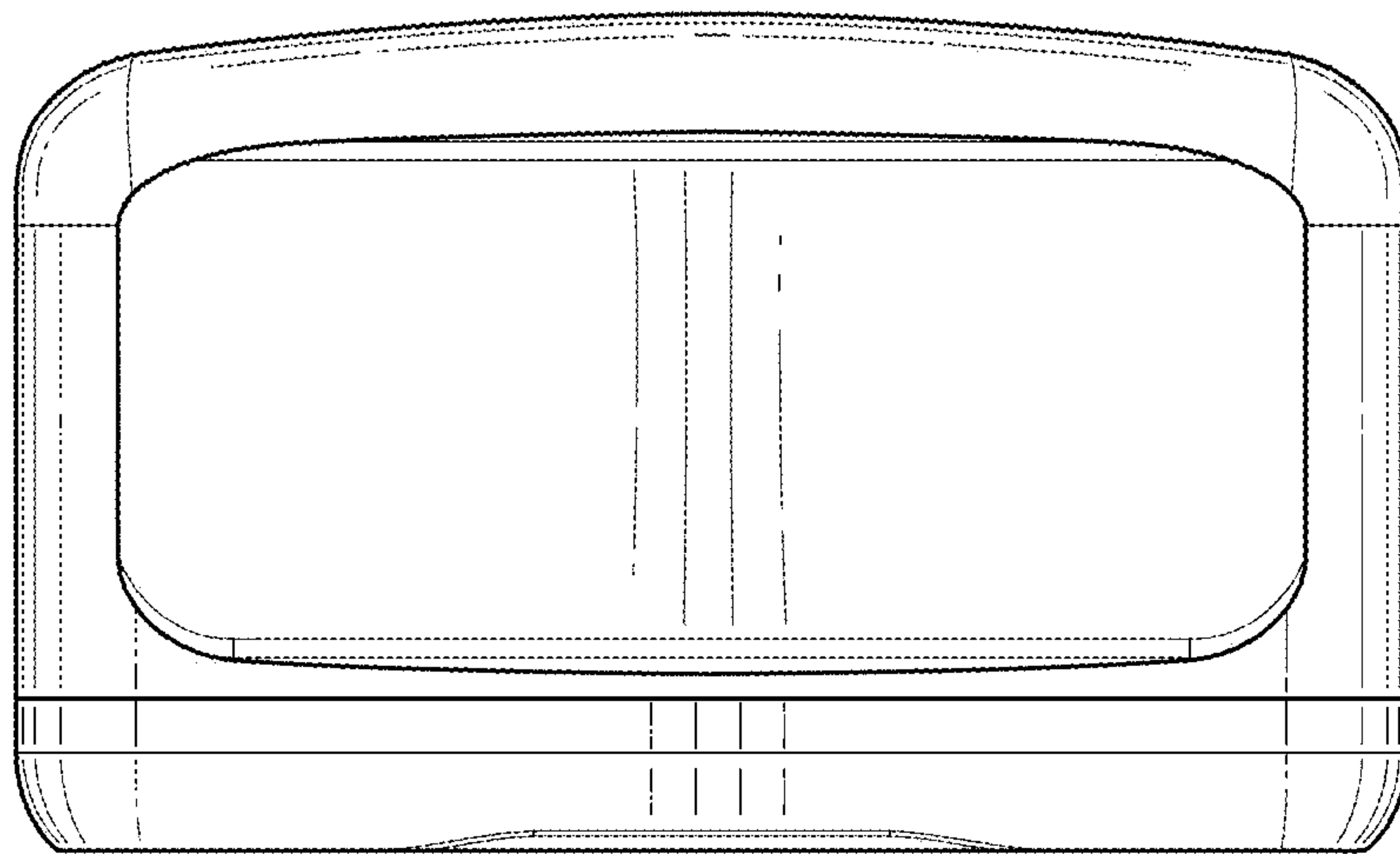


FIG. 7

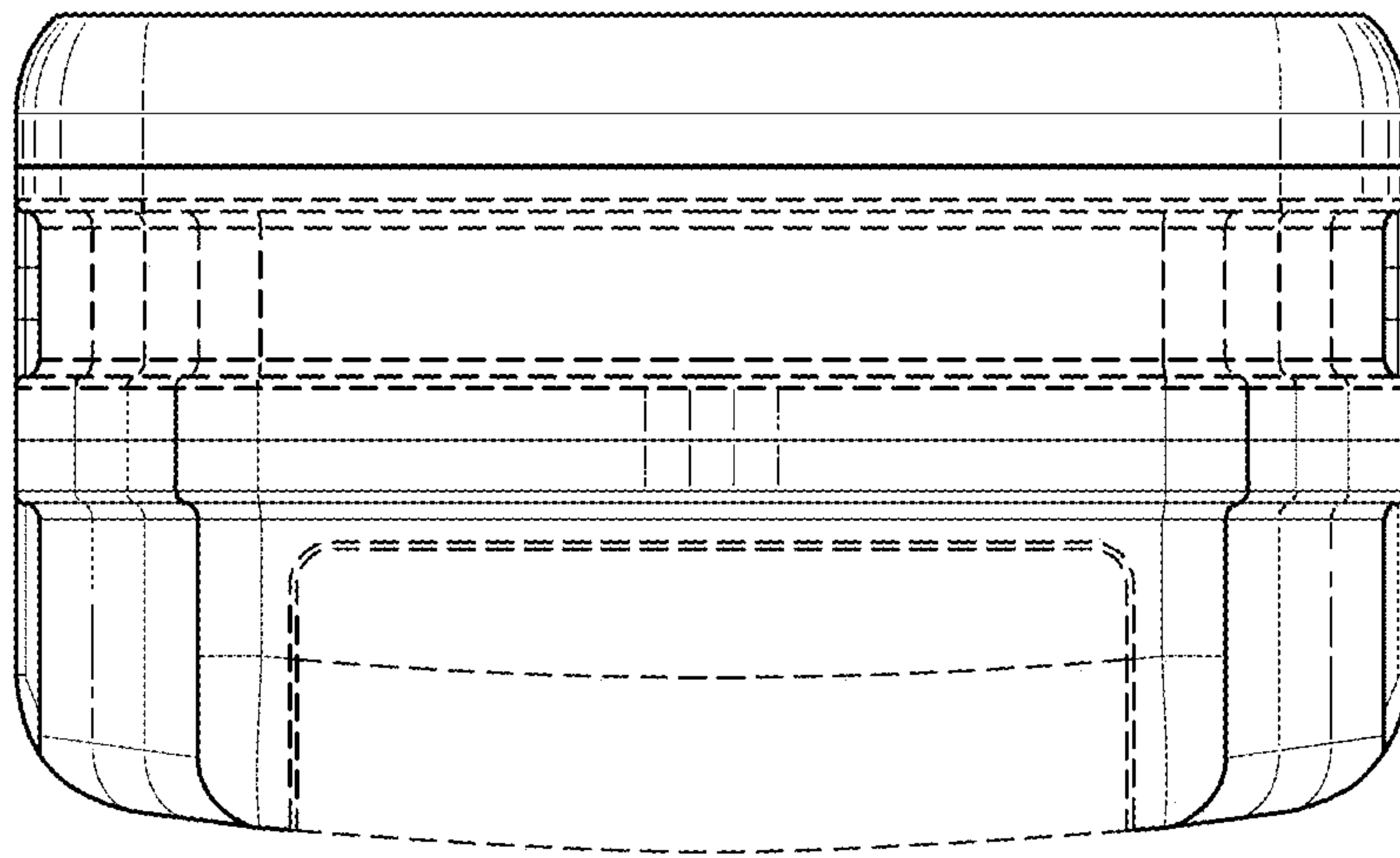


FIG. 8