



US00D908893S

(12) **United States Design Patent**  
**Xia et al.**

(10) **Patent No.:** **US D908,893 S**  
(45) **Date of Patent:** **\*\* Jan. 26, 2021**

(54) **MEDICAL DIAGNOSTIC EQUIPMENT**

**DESCRIPTION**

- (71) Applicant: **GE Precision Healthcare LLC**,  
Milwaukee, WI (US)
- (72) Inventors: **Lei Xia**, Shanghai (CN); **Yangguang Yuan**, Wuxi (CN); **Long Zhang**, Wuxi (CN); **Chengzuo Cai**, Wuxi (CN); **Chao Xie**, Wuxi (CN)
- (73) Assignee: **GE Precision Healthcare LLC**,  
Milwaukee, WI (US)
- (\*\*) Term: **15 Years**
- (21) Appl. No.: **29/700,242**
- (22) Filed: **Jul. 31, 2019**
- (51) **LOC (13) Cl.** ..... **24-02**
- (52) **U.S. Cl.**  
USPC ..... **D24/186; D24/167**
- (58) **Field of Classification Search**  
USPC ..... **D24/107, 165-169, 185-187; D10/98; D14/307, 336, 371**

(Continued)

(56) **References Cited**

**U.S. PATENT DOCUMENTS**

- D614,617 S \* 4/2010 Pepper ..... D14/371
- D717,446 S \* 11/2014 Lu ..... D24/167

(Continued)

**FOREIGN PATENT DOCUMENTS**

CN 303629355 S 3/2016

*Primary Examiner* — Anhdao Doan

(74) *Attorney, Agent, or Firm* — McCoy Russell LLP

(57) **CLAIM**

The ornamental design for a medical diagnostic equipment, as shown and described.

FIG. 1 is a front-left perspective view of a medical diagnostic equipment according to a first embodiment of the claimed design.

FIG. 2 is a rear-right perspective view of the medical diagnostic equipment of FIG. 1.

FIG. 3 is a front view of the medical diagnostic equipment of FIG. 1.

FIG. 4 is a rear view of the medical diagnostic equipment of FIG. 1.

FIG. 5 is a left side view of the medical diagnostic equipment of FIG. 1.

FIG. 6 is a right side view of the medical diagnostic equipment of FIG. 1.

FIG. 7 is a top view of the medical diagnostic equipment of FIG. 1.

FIG. 8 is a bottom view of the medical diagnostic equipment of FIG. 1.

FIG. 9 is a front-left perspective view of a medical diagnostic equipment according to a second embodiment of the claimed design.

FIG. 10 is a rear-right perspective view of the medical diagnostic equipment of FIG. 9.

FIG. 11 is a front view of the medical diagnostic equipment of FIG. 9.

FIG. 12 is a rear view of the medical diagnostic equipment of FIG. 9.

FIG. 13 is a left side view of the medical diagnostic equipment of FIG. 9.

FIG. 14 is a right side view of the medical diagnostic equipment of FIG. 9.

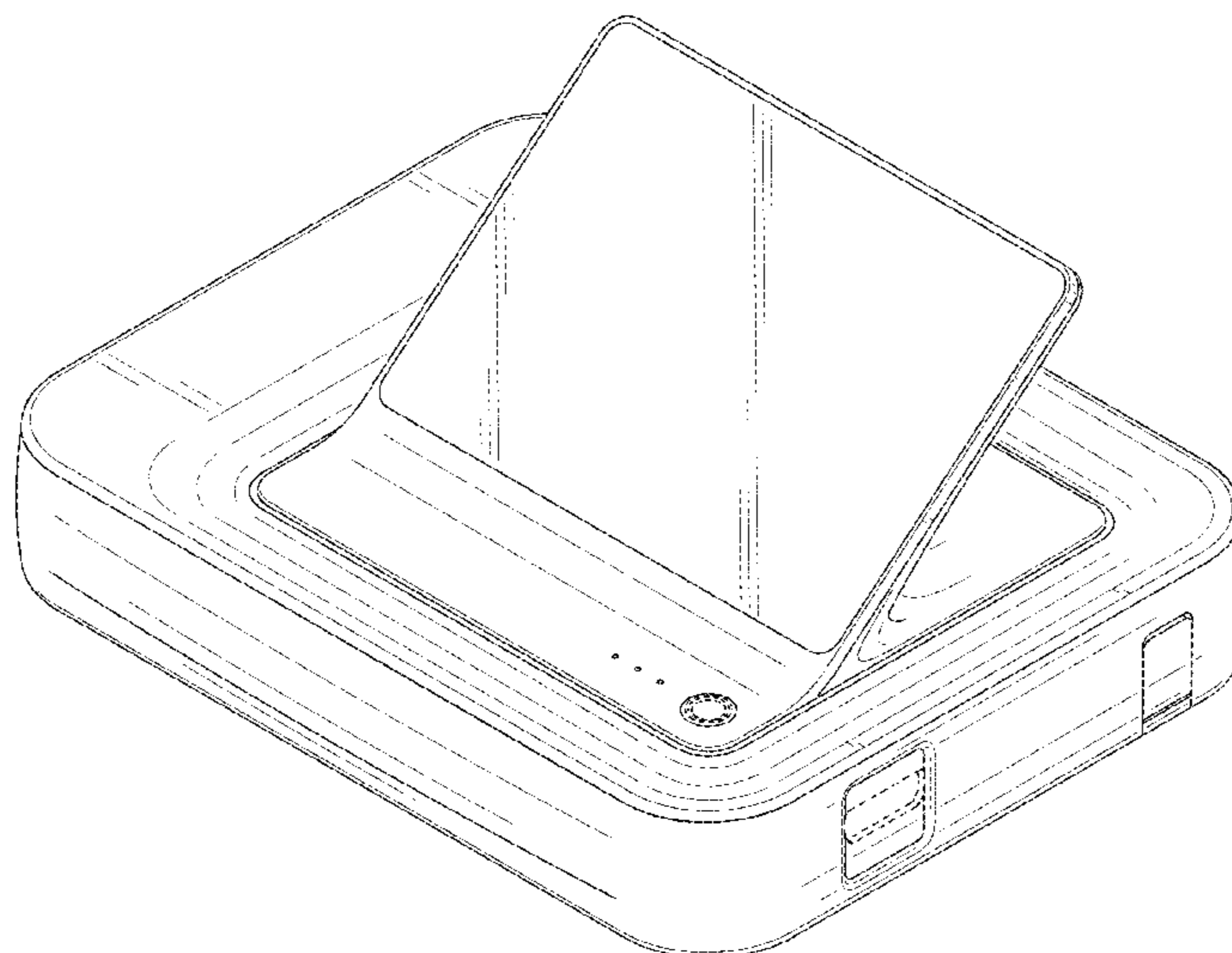
FIG. 15 is a top view of the medical diagnostic equipment of FIG. 9; and,

FIG. 16 is a bottom view of the medical diagnostic equipment of FIG. 9.

The broken lines illustrate portions of the medical diagnostic equipment that form no part of the claimed design; the broken lines form no part of the claimed design.

In the drawings, the stippled shading represents surfaces having the contrast in appearance shown.

**1 Claim, 16 Drawing Sheets**



(58) **Field of Classification Search**

CPC ... A61B 5/742; A61B 5/14551; A61B 5/0205;  
A61B 5/02055; A61B 5/02405; A61B  
5/02411; A61B 5/02438; A61B 5/02427;  
A61B 2560/0406; A61B 2560/0443;  
A61B 2560/0431; A61B 2560/045; A61B  
2560/0456; A61B 2560/0487; A61B  
5/0402; A61B 5/0404

See application file for complete search history.

(56) **References Cited**

U.S. PATENT DOCUMENTS

D739,031	S	*	9/2015	Golden	.....	D24/186
D762,863	S	*	8/2016	Kim	.....	D24/186
D802,134	S	*	11/2017	Geißler	.....	D24/186
D822,214	S		7/2018	Iles et al.		
D830,324	S	*	10/2018	Stawski	.....	D24/186
D872,865	S	*	1/2020	Richter	.....	D24/186
D882,802	S	*	4/2020	Remedios	.....	D24/185
2010/0261979	A1	*	10/2010	Kiani	.....	A61B 5/0002 600/301

\* cited by examiner

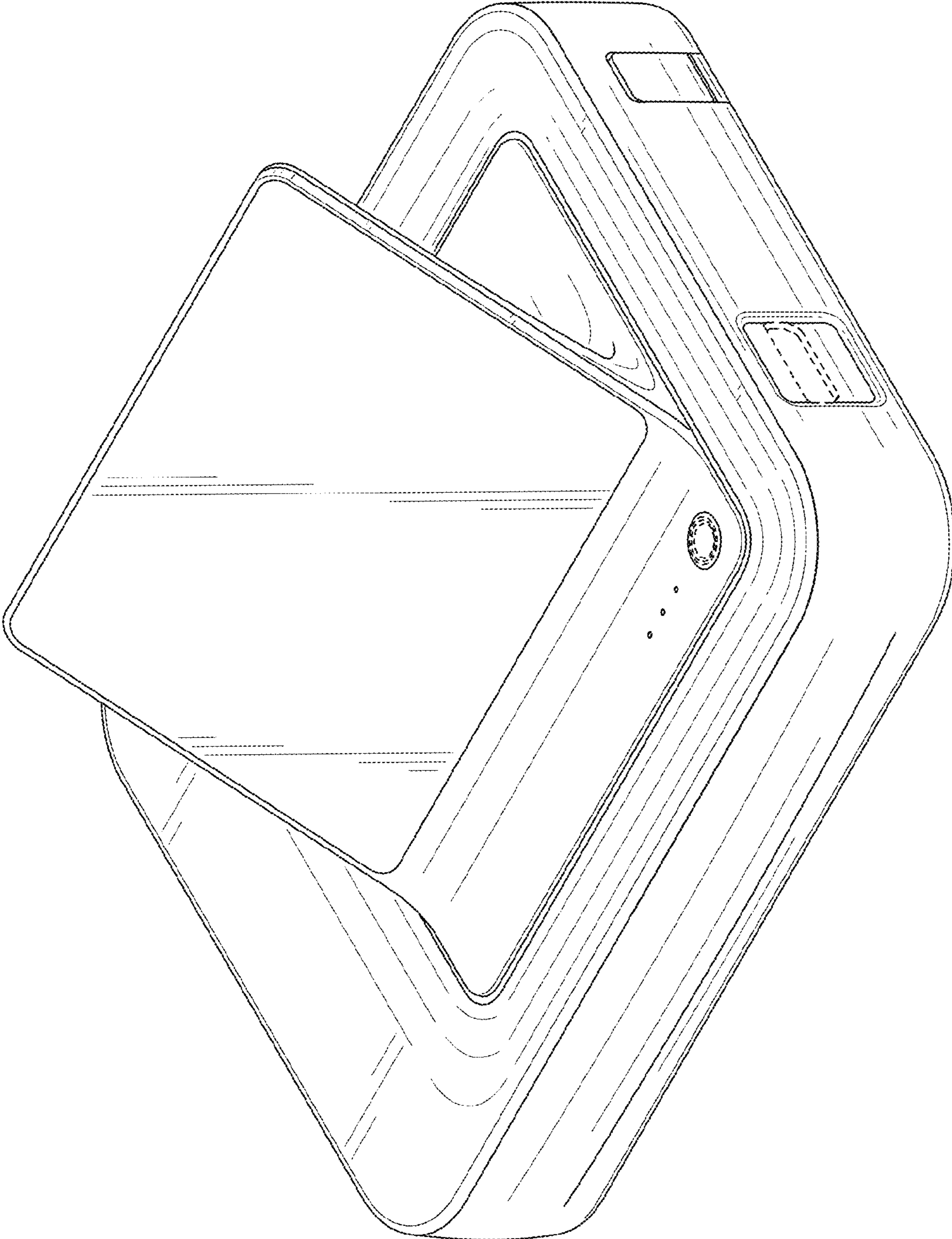


FIG. 1



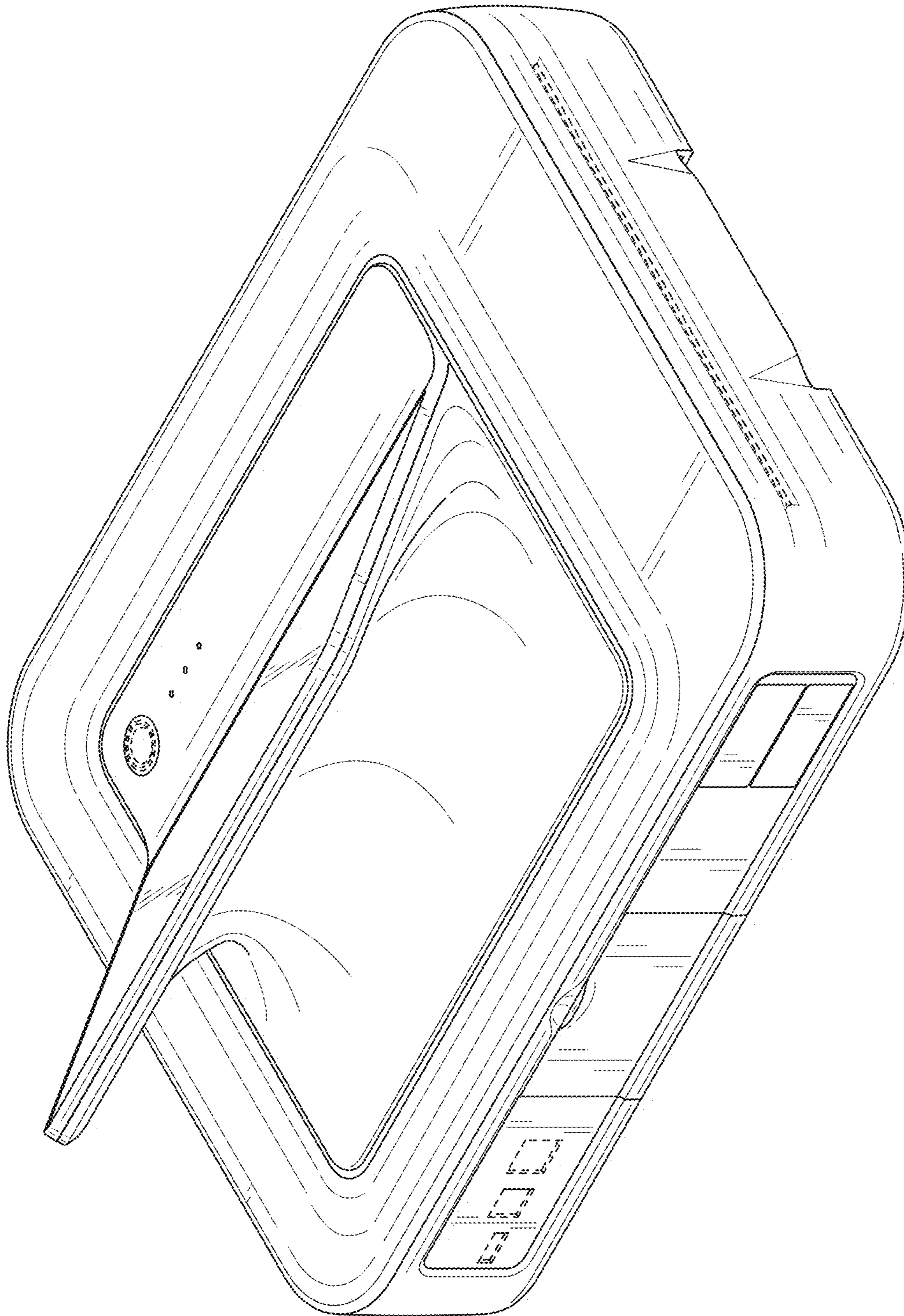


FIG. 2

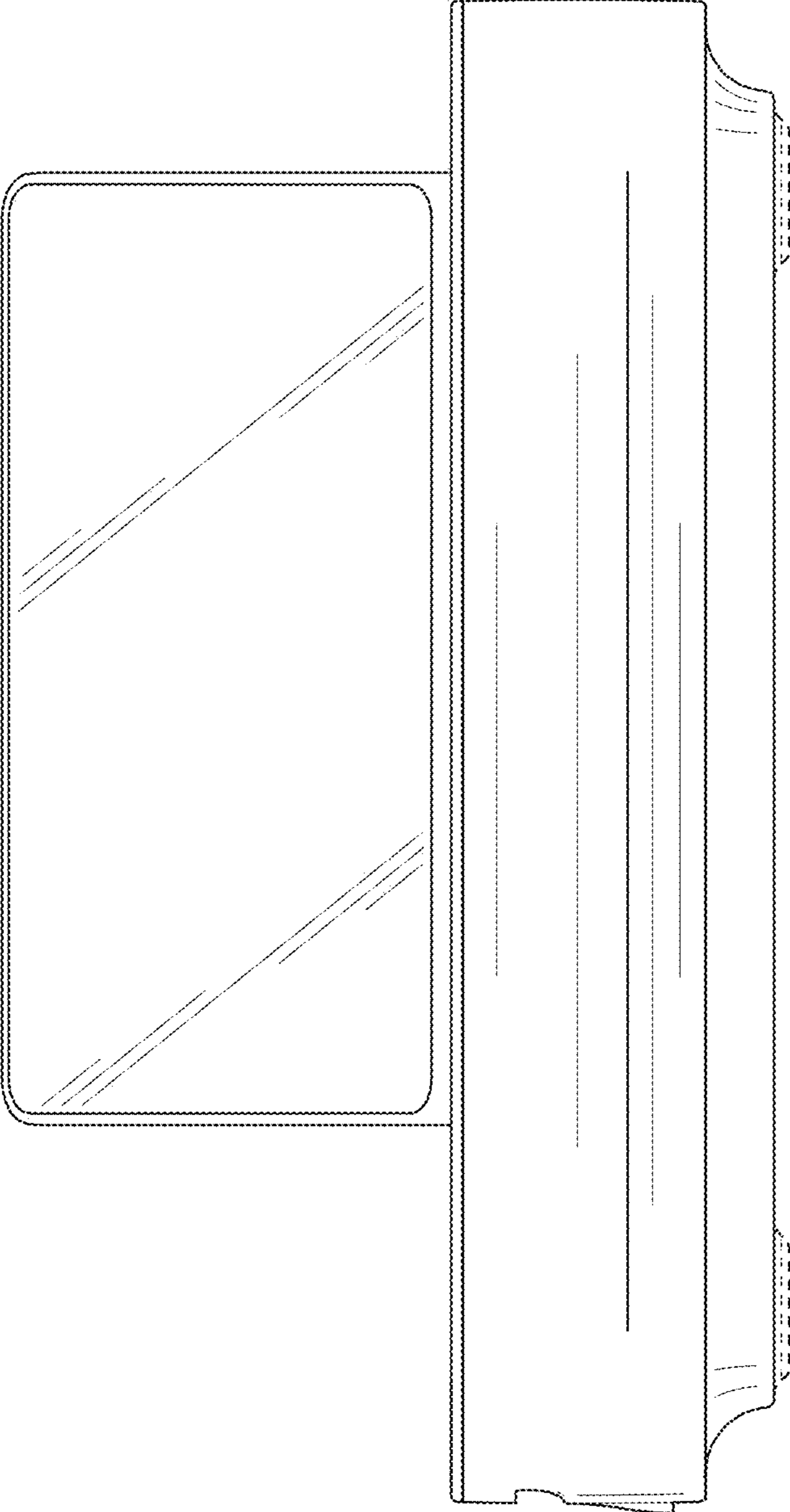


FIG. 3

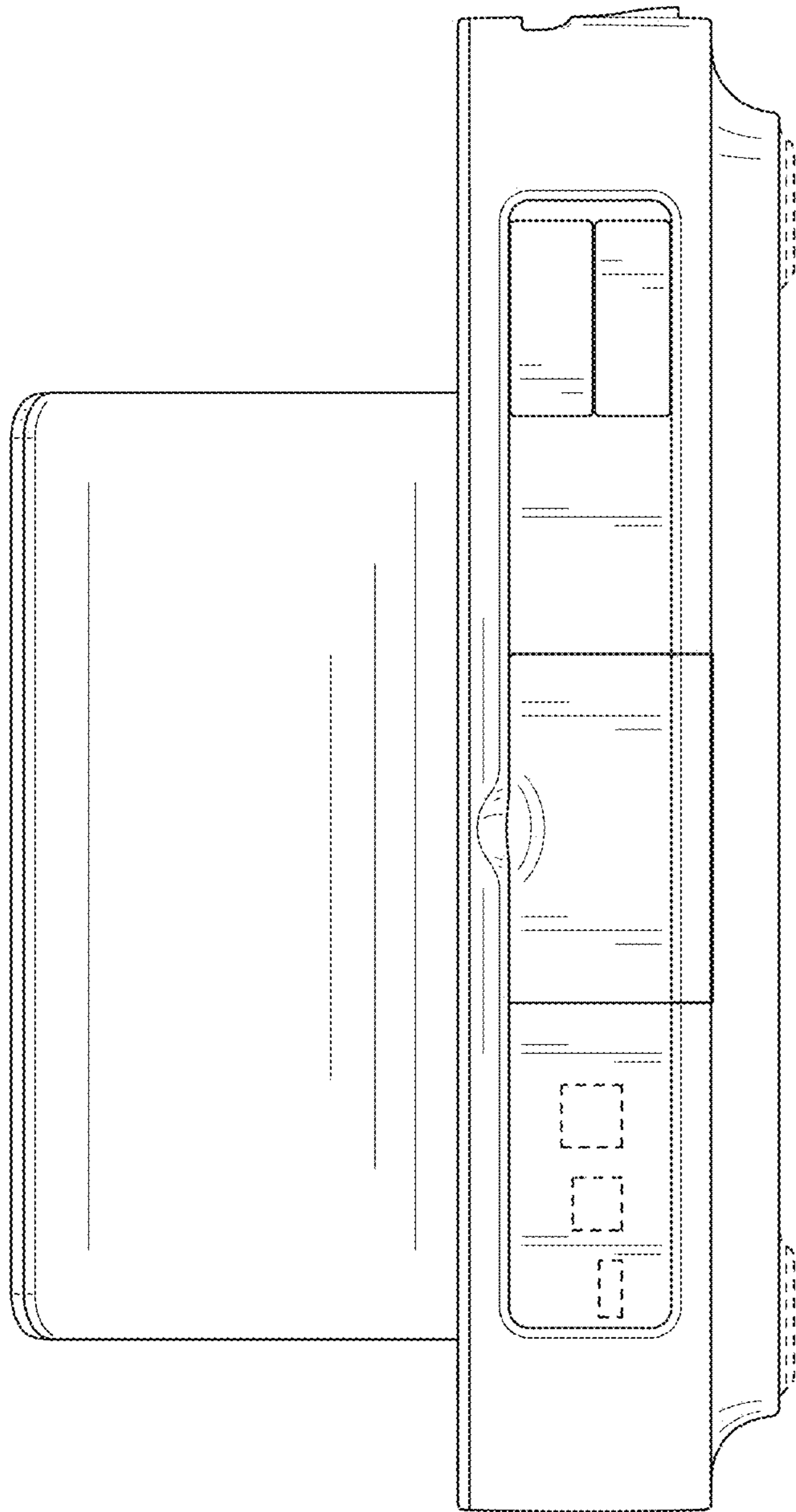


FIG. 4

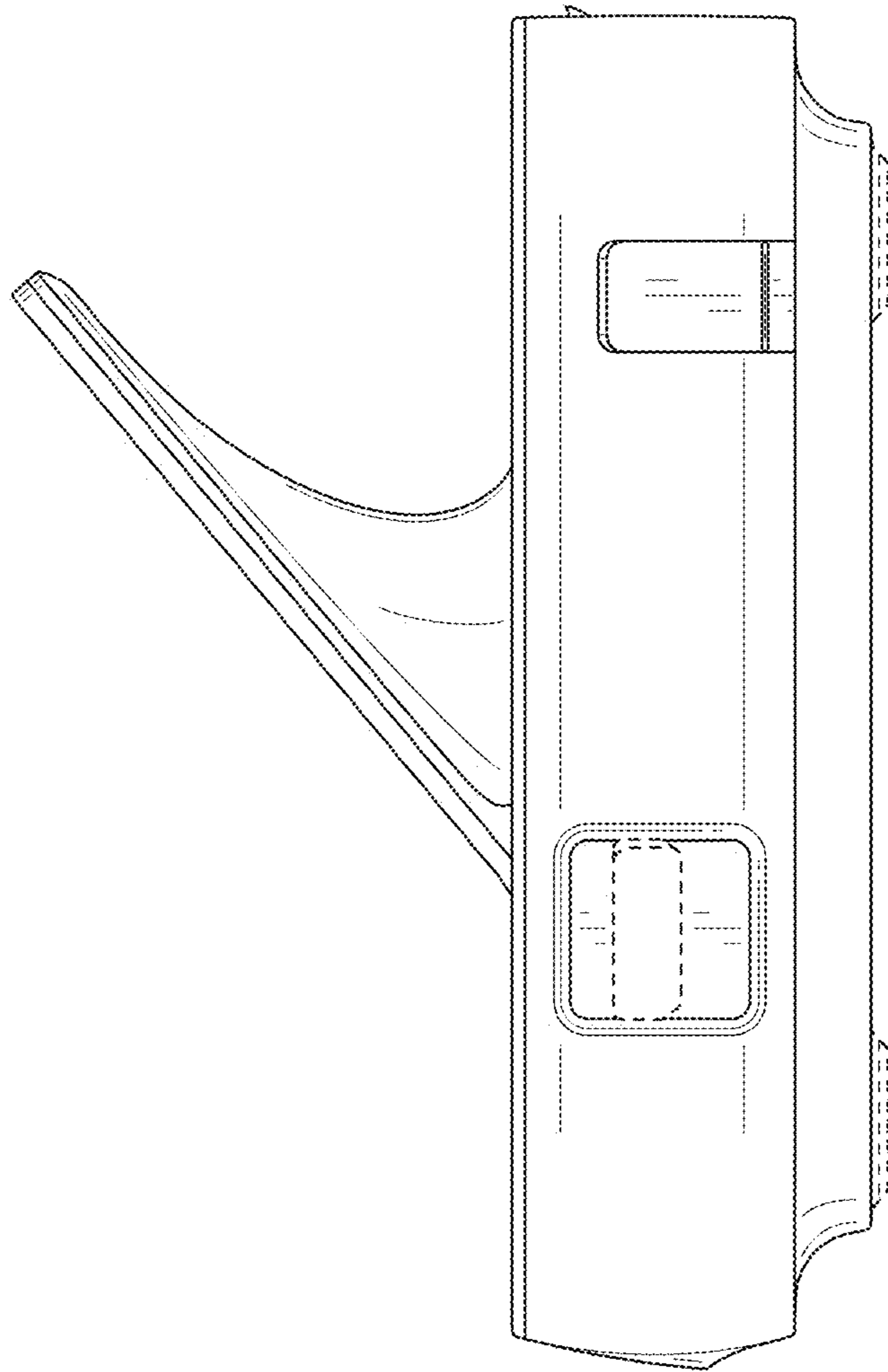


FIG. 5

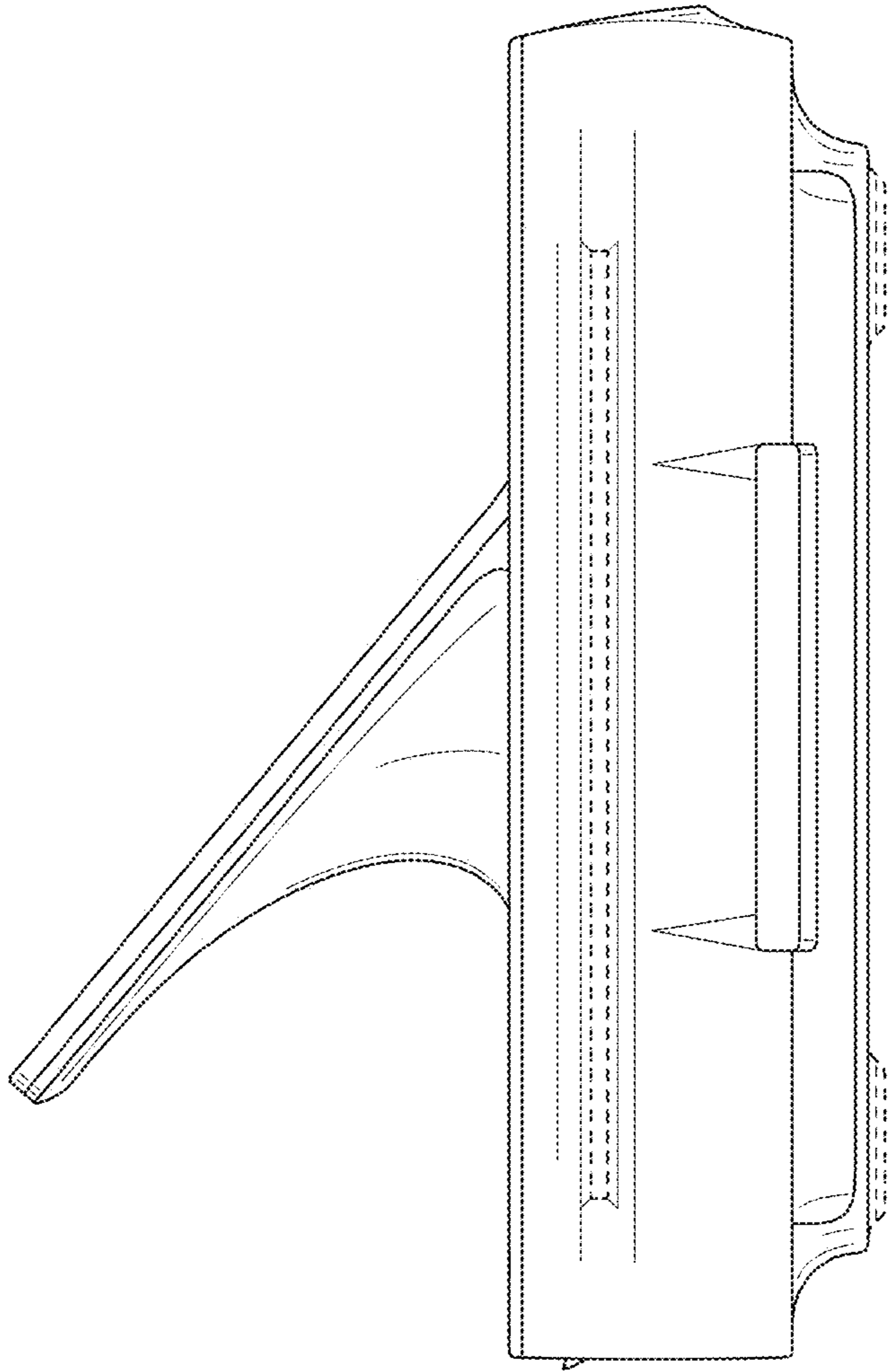


FIG. 6



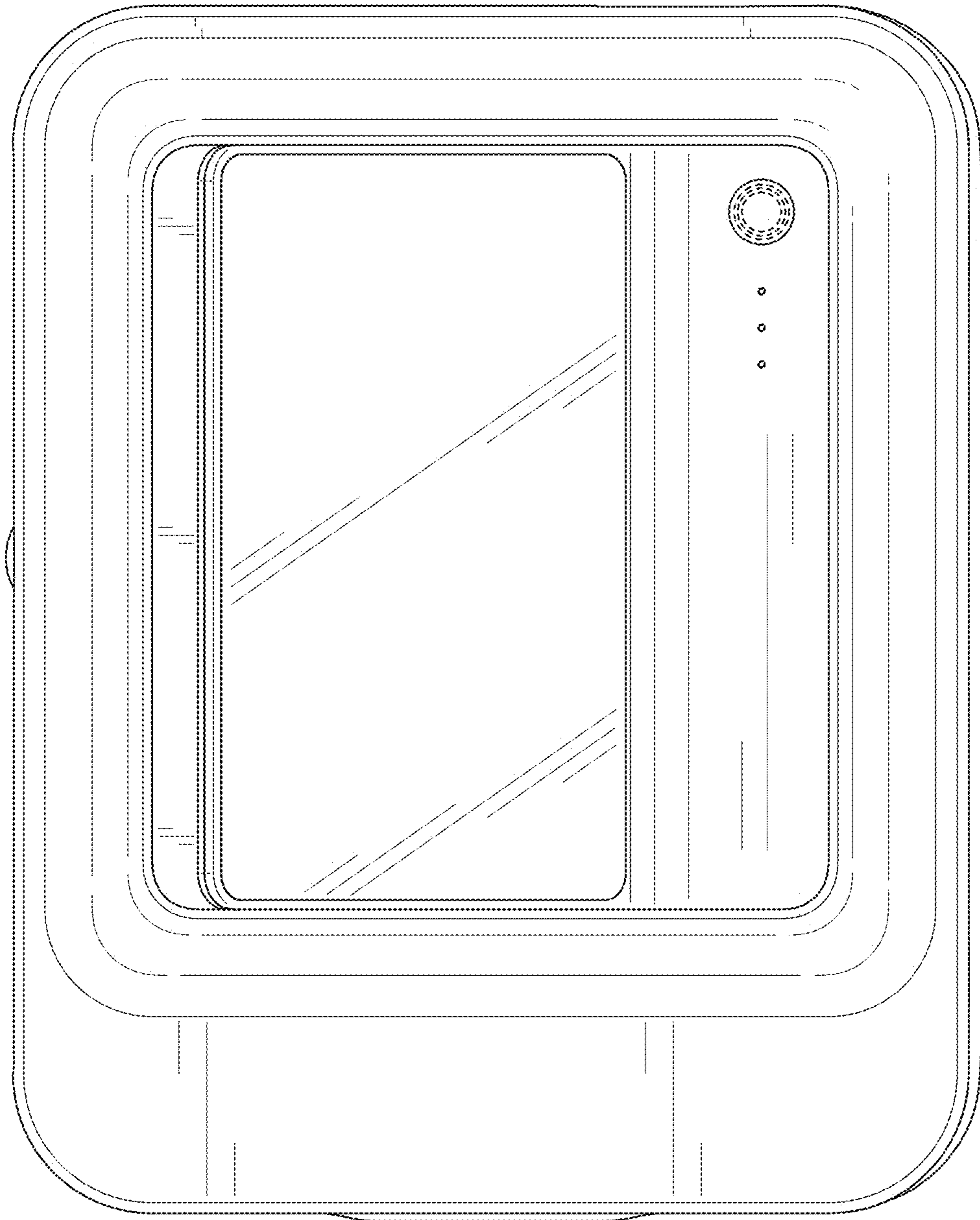


FIG. 7

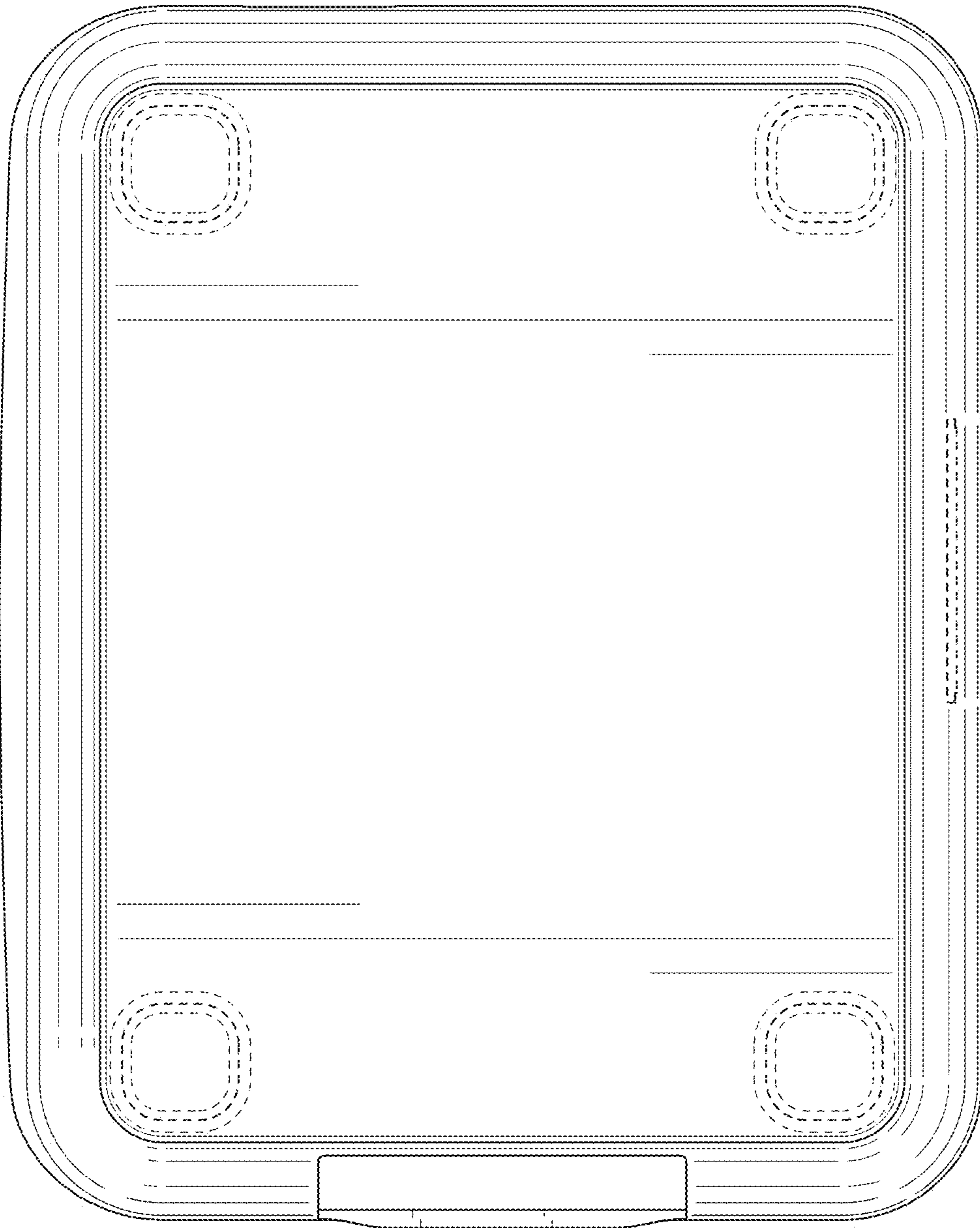


FIG. 8

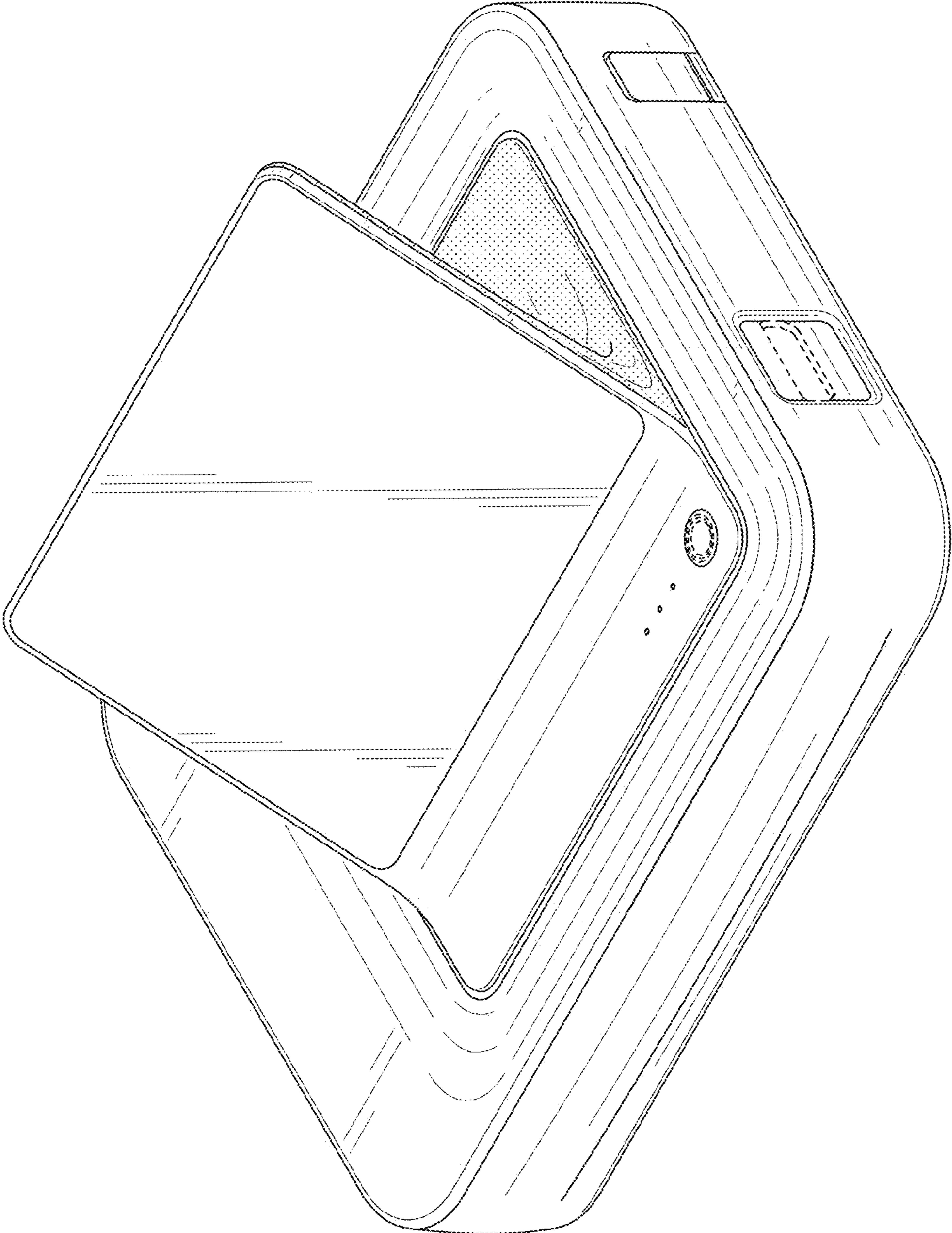


FIG. 9



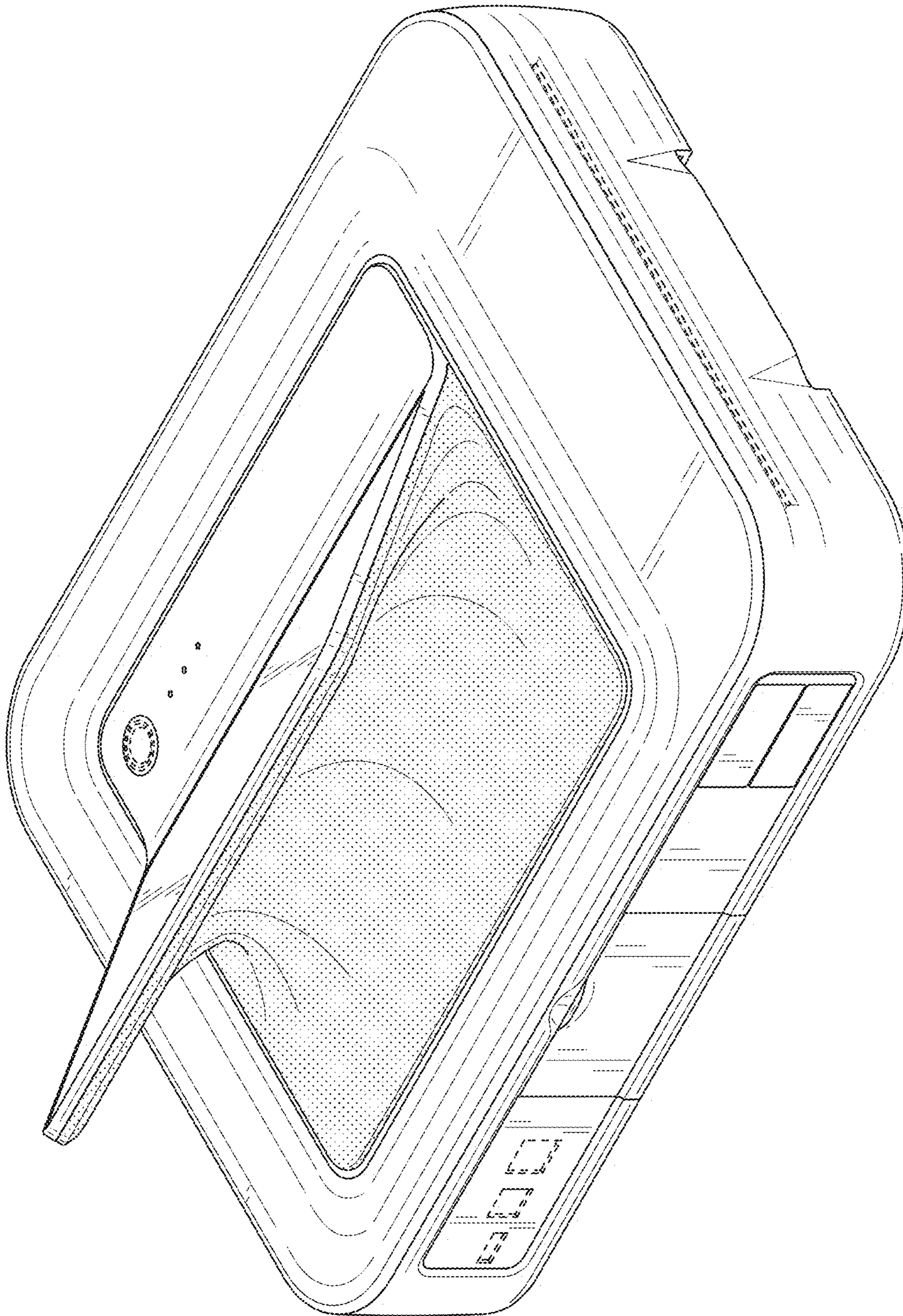


FIG. 10



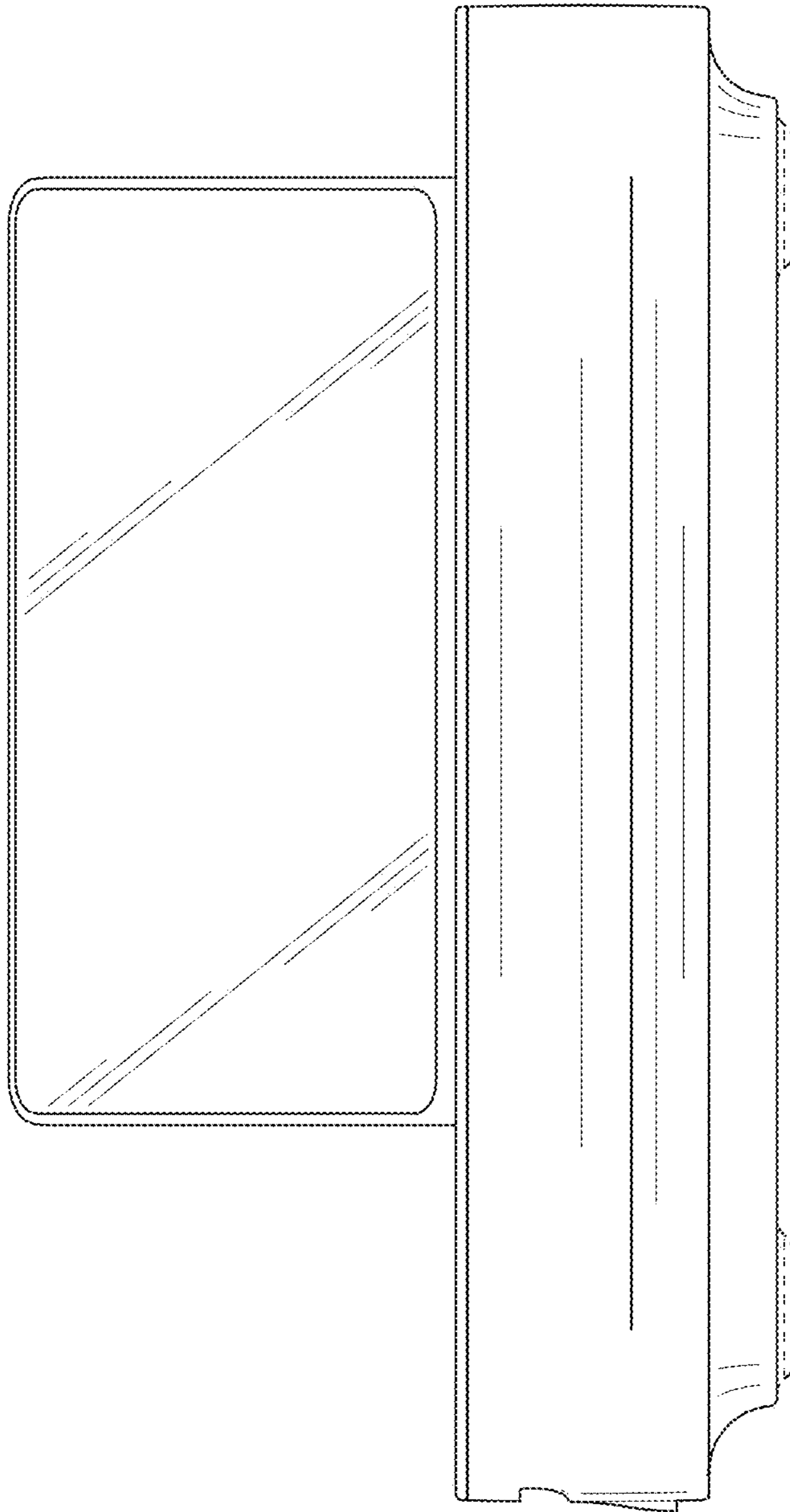


FIG. 11

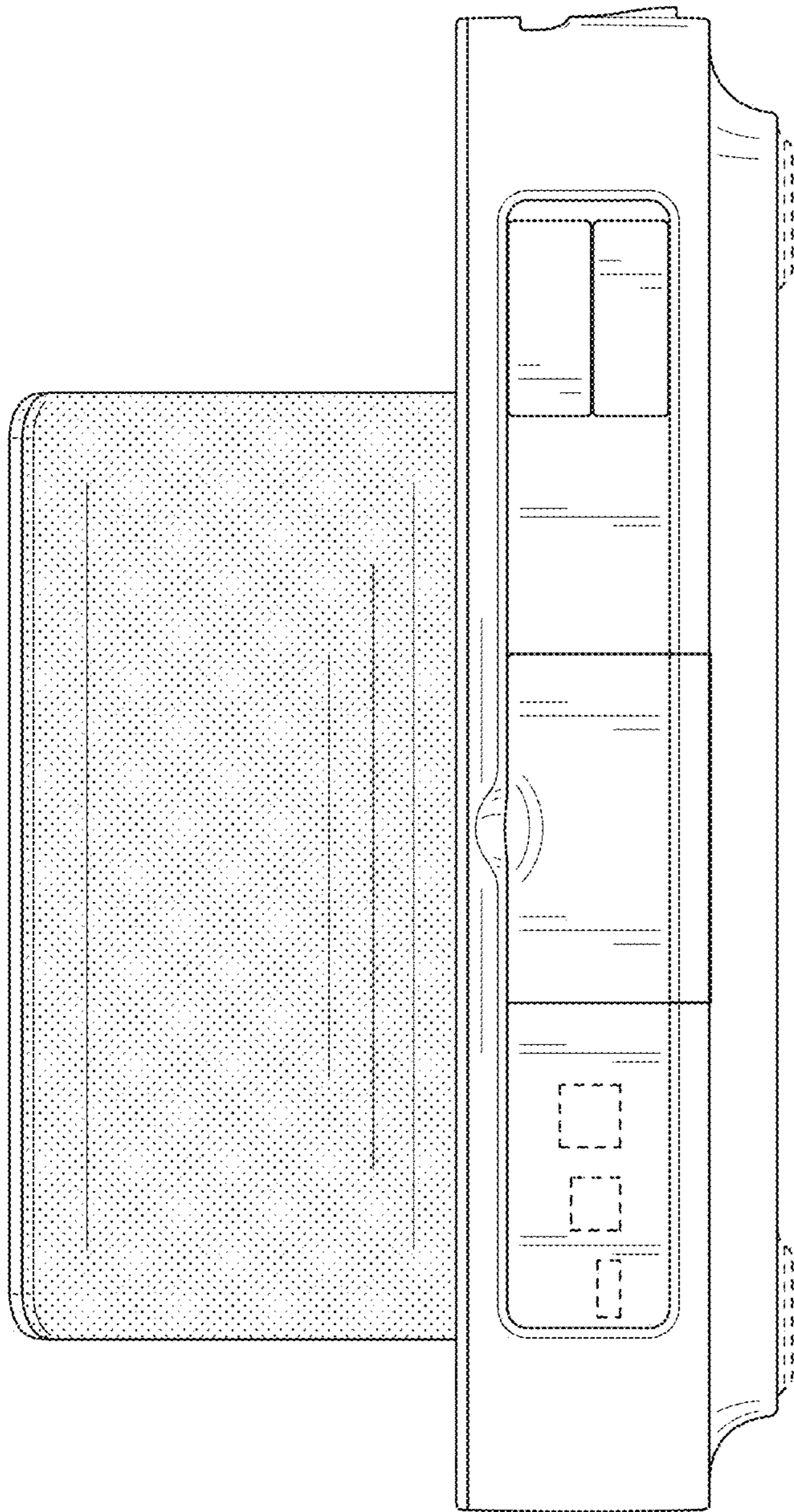


FIG. 12

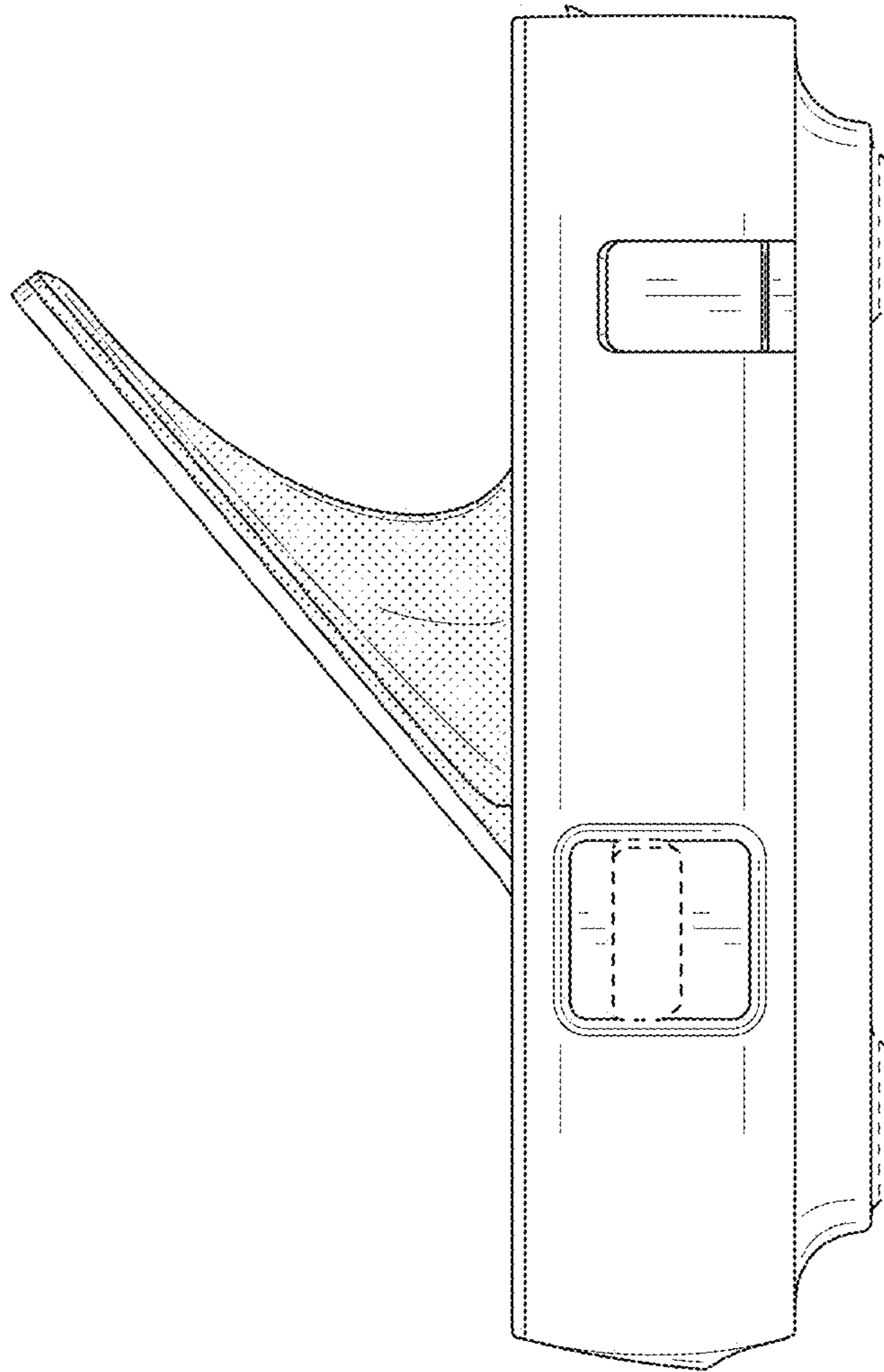


FIG. 13

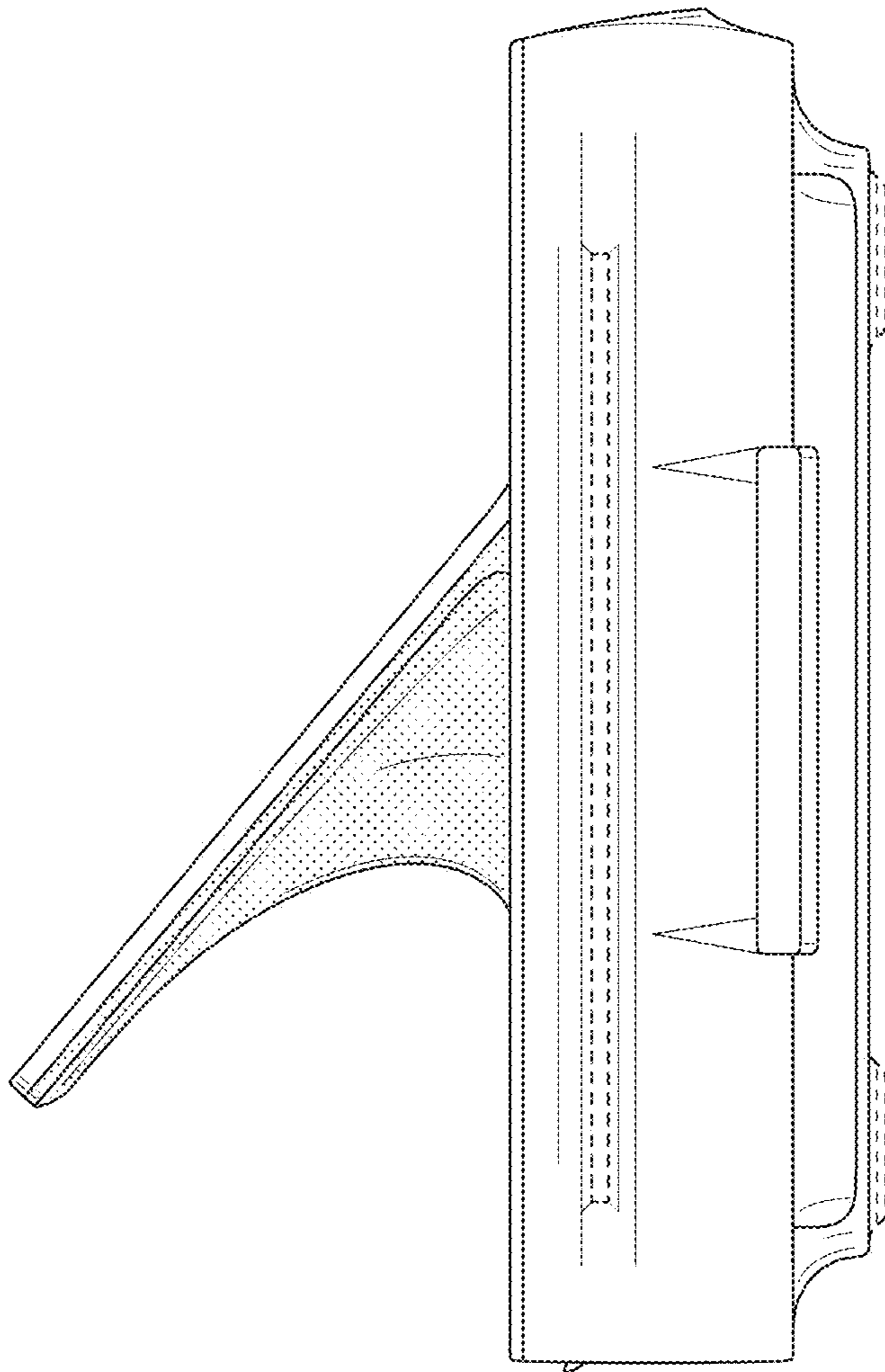


FIG. 14



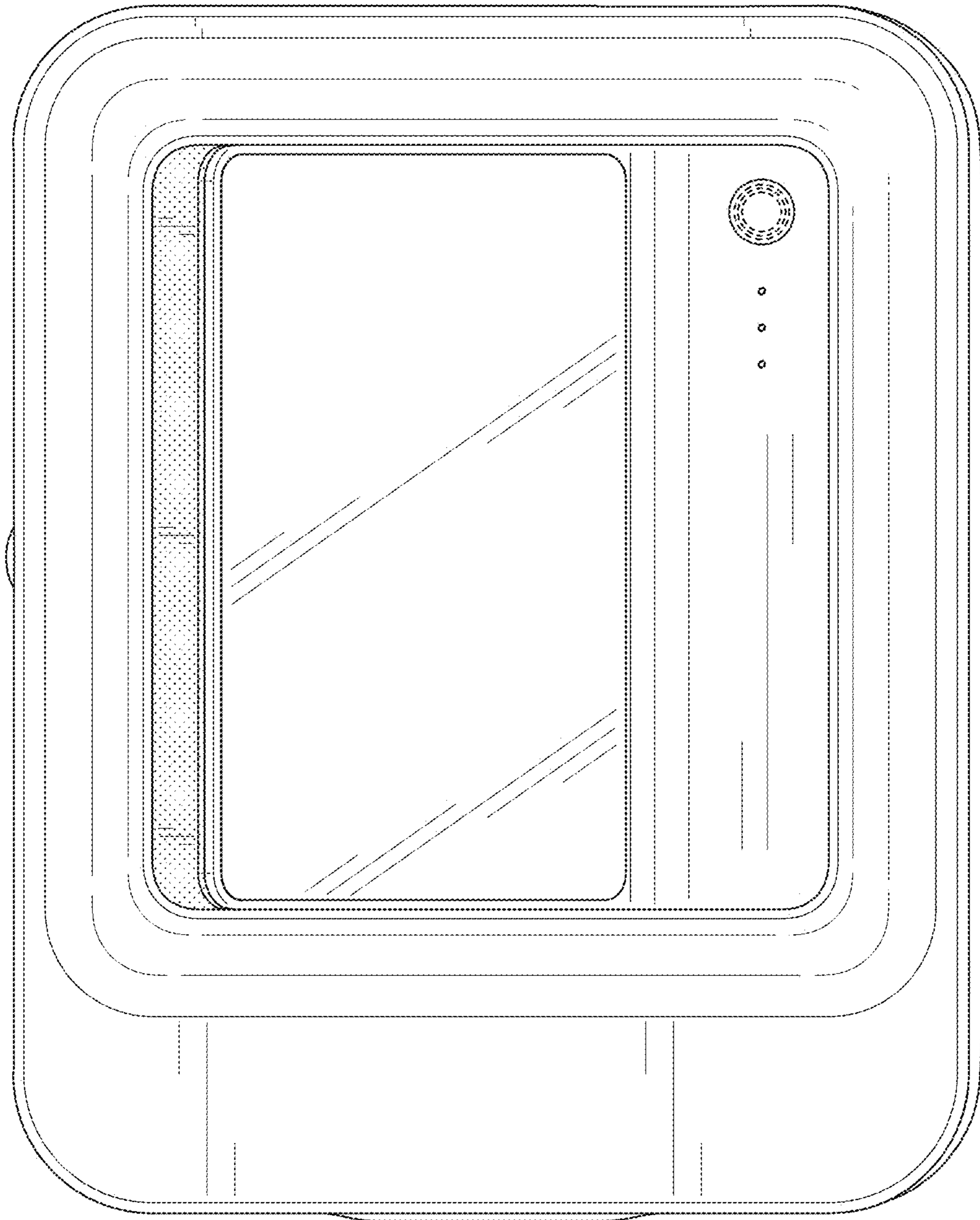


FIG. 15

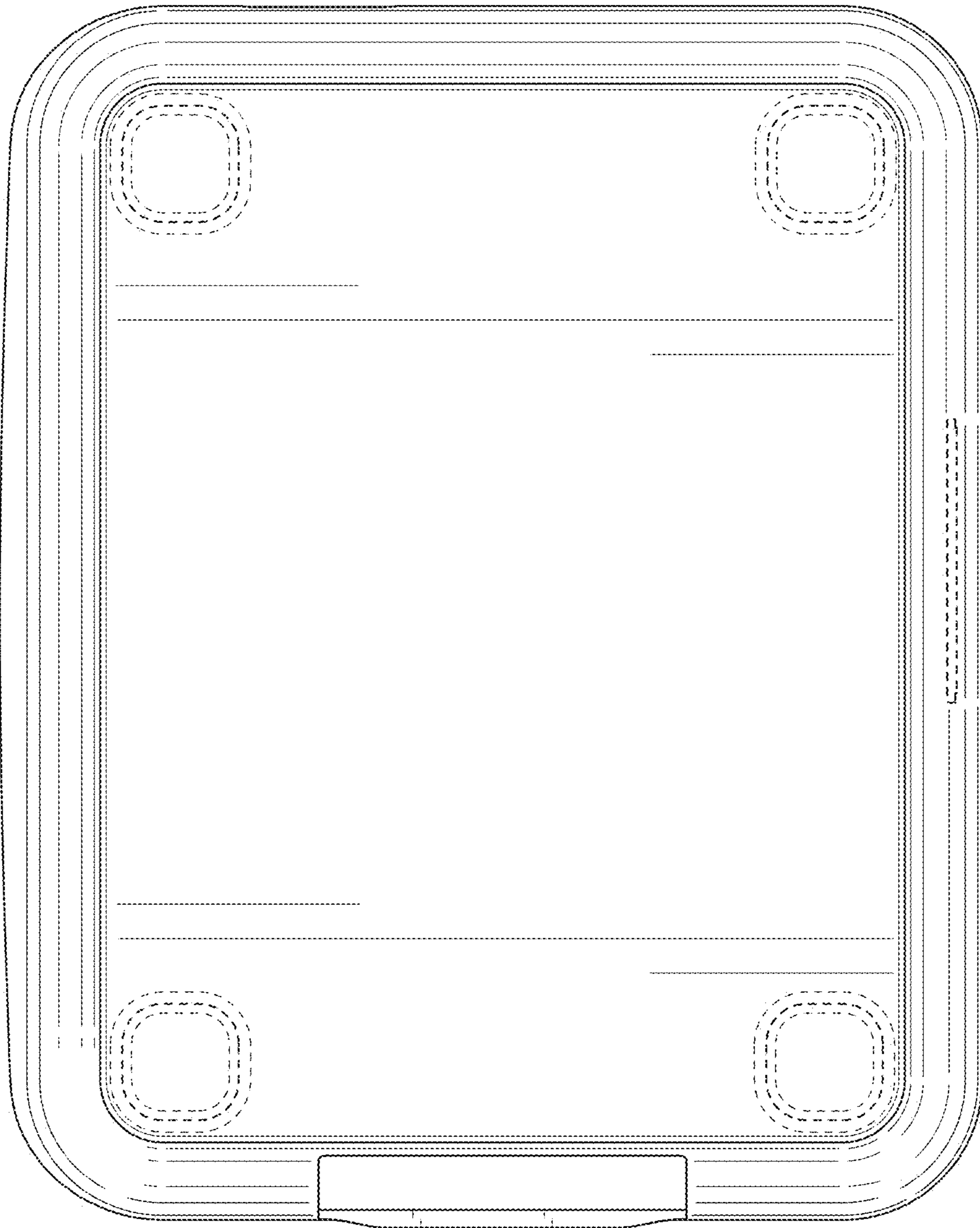


FIG. 16