



US00D908891S

(12) **United States Design Patent**
Zünd et al.

(10) **Patent No.: US D908,891 S**

(45) **Date of Patent: ** Jan. 26, 2021**

(54) **OPHTHALMOLOGIC APPARATUS**

D884,191 S * 5/2020 Koppel D24/185
2018/0008139 A1* 1/2018 Otsuki A61B 3/107

(71) Applicant: **THIS AG**, Heerbrugg (CH)

* cited by examiner

(72) Inventors: **Marco Zünd**, Widnau (CH); **Raimund Erdmann**, Brugg (CH); **Thomas Köppel**, Widnau (CH)

Primary Examiner — Michael A. Pratt

(**) Term: **15 Years**

(57) **CLAIM**

(21) Appl. No.: **35/508,194**

The ornamental design for an ophthalmologic apparatus, as shown and described.

(22) Filed: **Sep. 3, 2019**

(80) **Hague Agreement Data**

DESCRIPTION

Int. Filing Date: **Sep. 3, 2019**

Int. Reg. No.: **DM/204777**

Int. Reg. Date: **Sep. 3, 2019**

Int. Reg. Pub. Date: **Dec. 20, 2019**

(51) **LOC (13) Cl.** **24-02**

(52) **U.S. Cl.**
USPC **D24/185**

(58) **Field of Classification Search**
USPC D24/150, 157, 160, 172
CPC Y10S 514/912; A61M 2210/0612; A61F
9/007

See application file for complete search history.

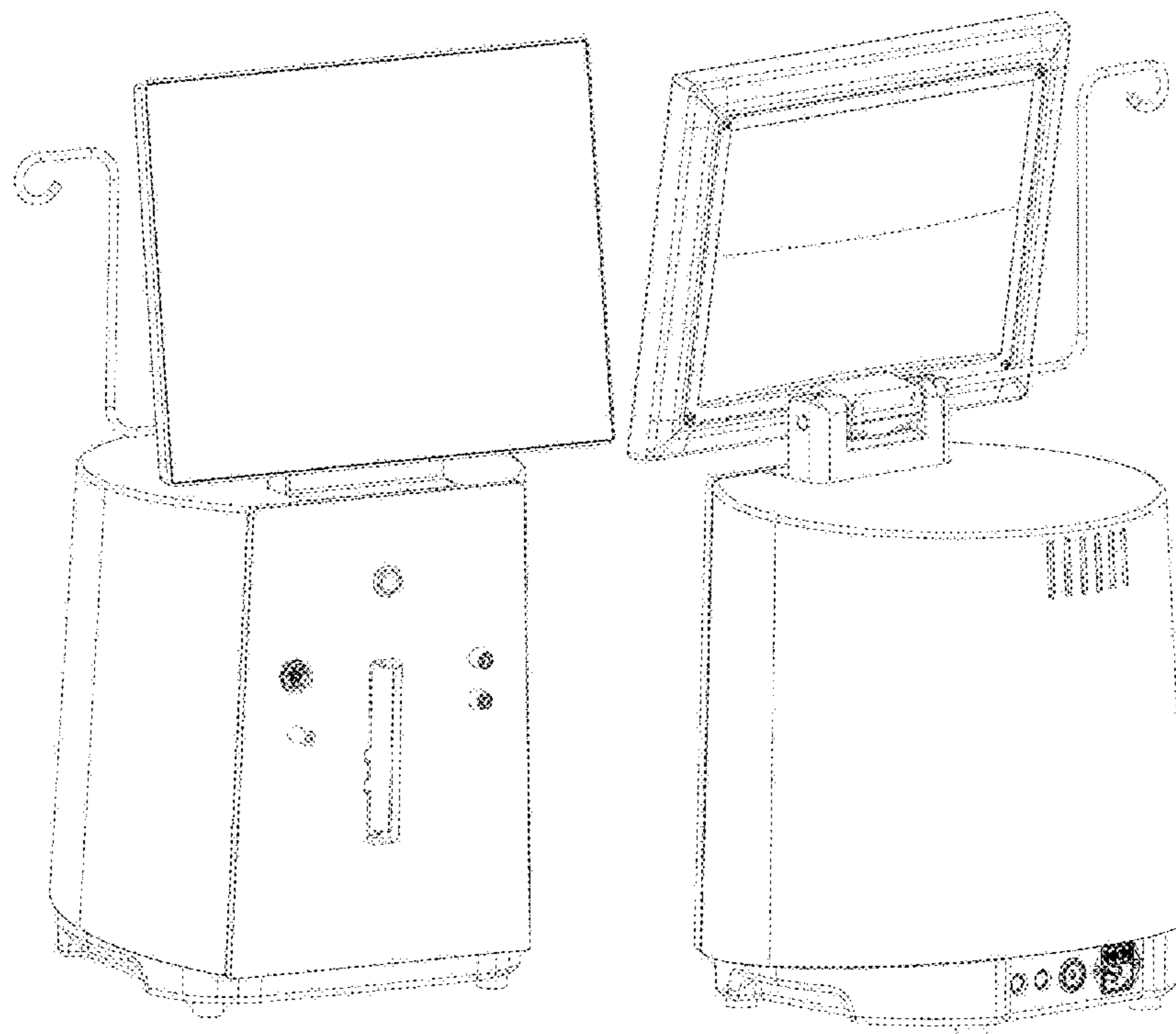
- 1.-2. Ophthalmologic apparatus
- 1.1 : Perspective
- 1.2 : Perspective
- 1.3 : Front
- 1.4 : Back
- 1.5 : Left
- 1.6 : Right
- 1.7 : Top
- 1.8 : Bottom
- 2.1 : Perspective
- 2.2 : Perspective
- 2.3 : Front
- 2.4 : Back
- 2.5 : Left
- 2.6 : Right
- 2.7 : Top
- 2.8 : Bottom

(56) **References Cited**

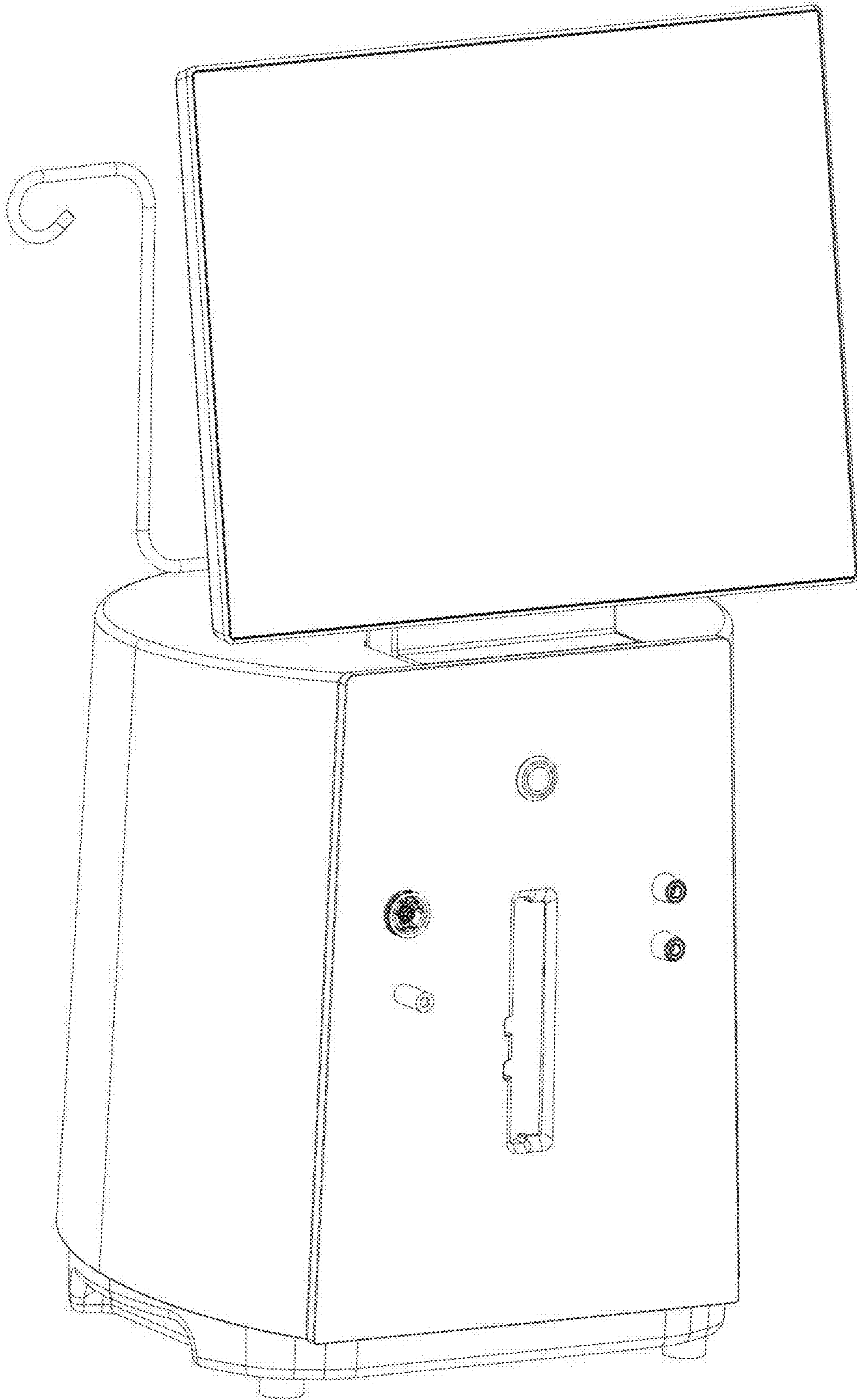
U.S. PATENT DOCUMENTS

D567,381 S * 4/2008 Olivera D24/185
D872,284 S * 1/2020 Koppel D24/185

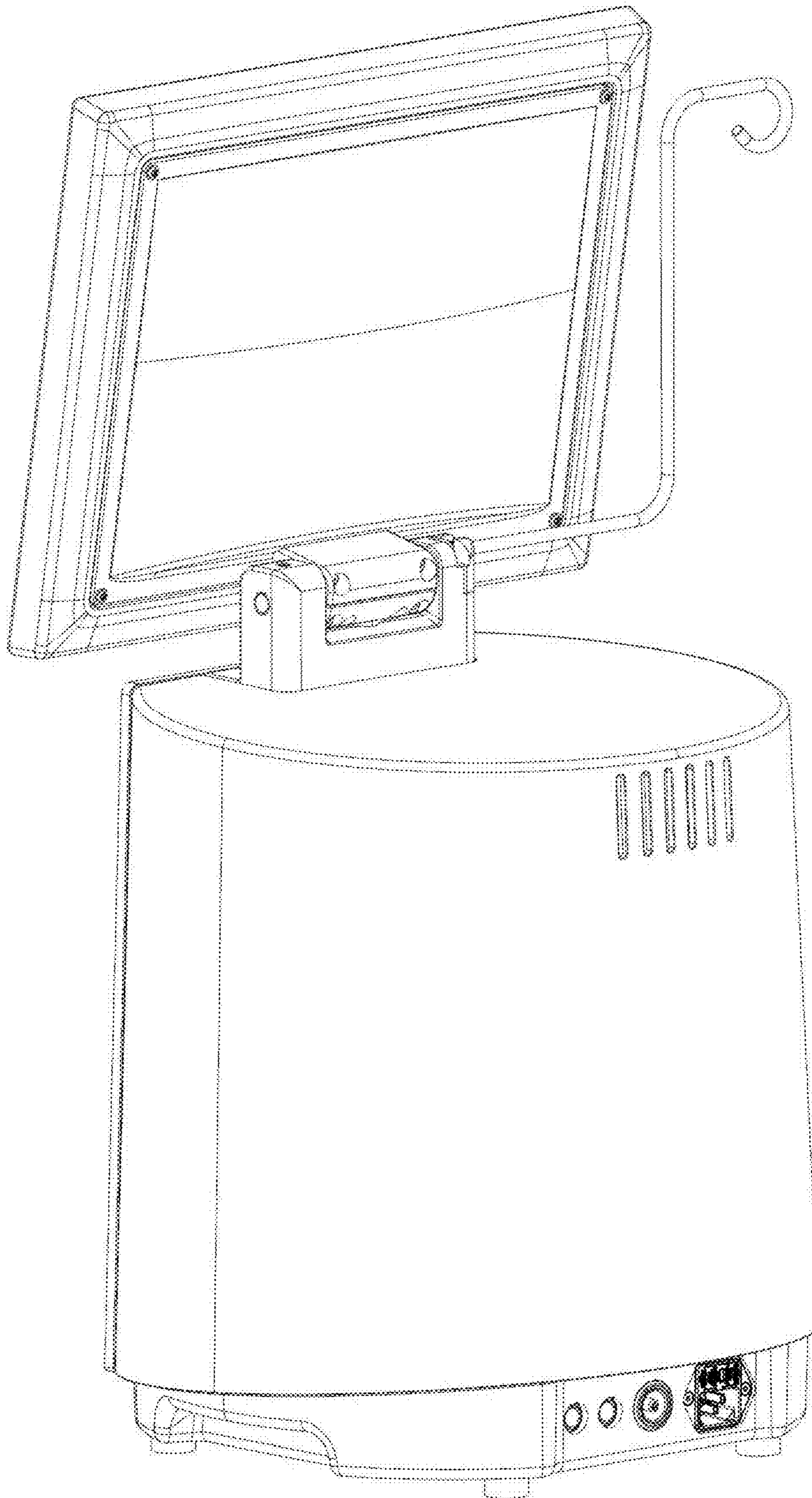
1 Claim, 16 Drawing Sheets



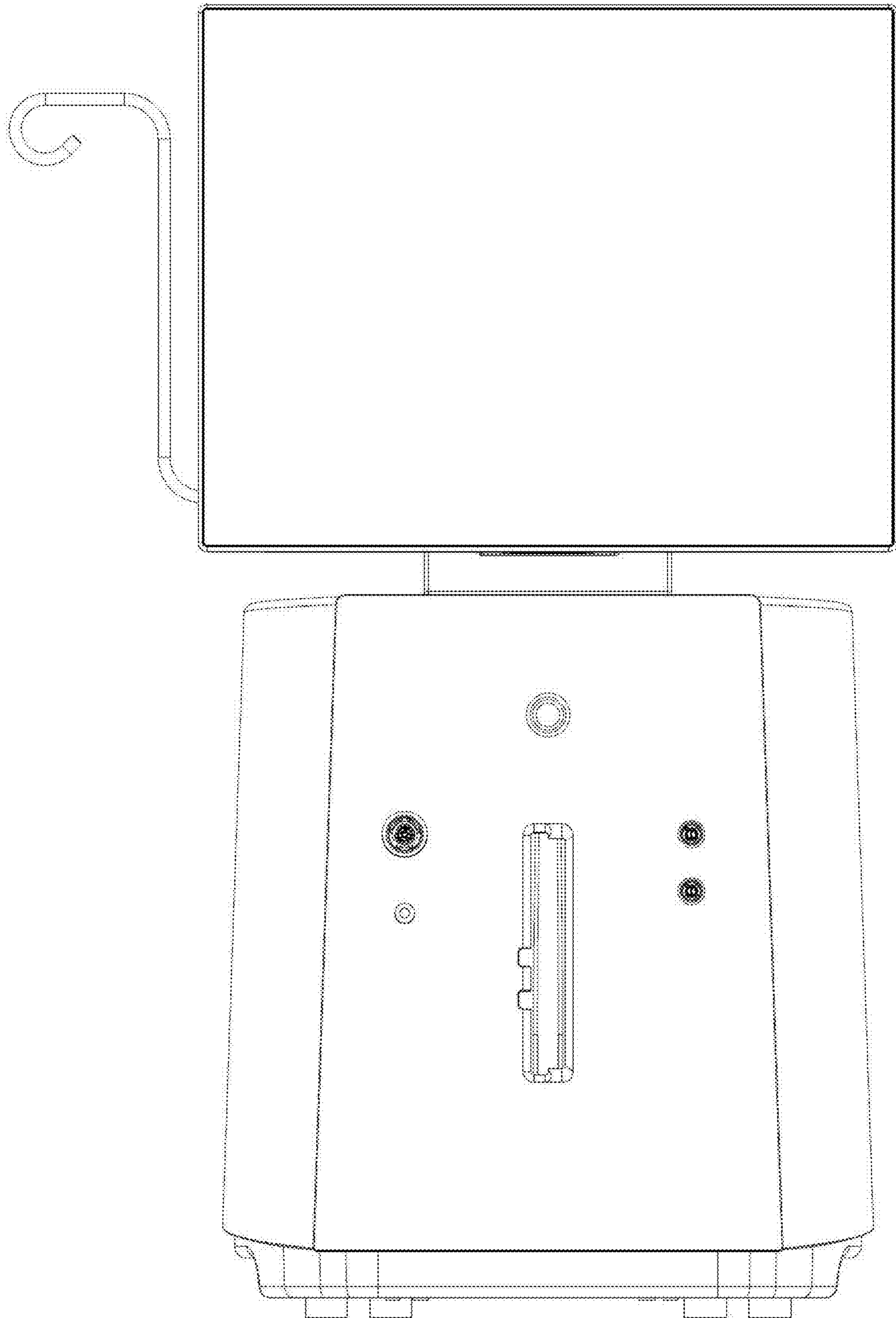
1.1



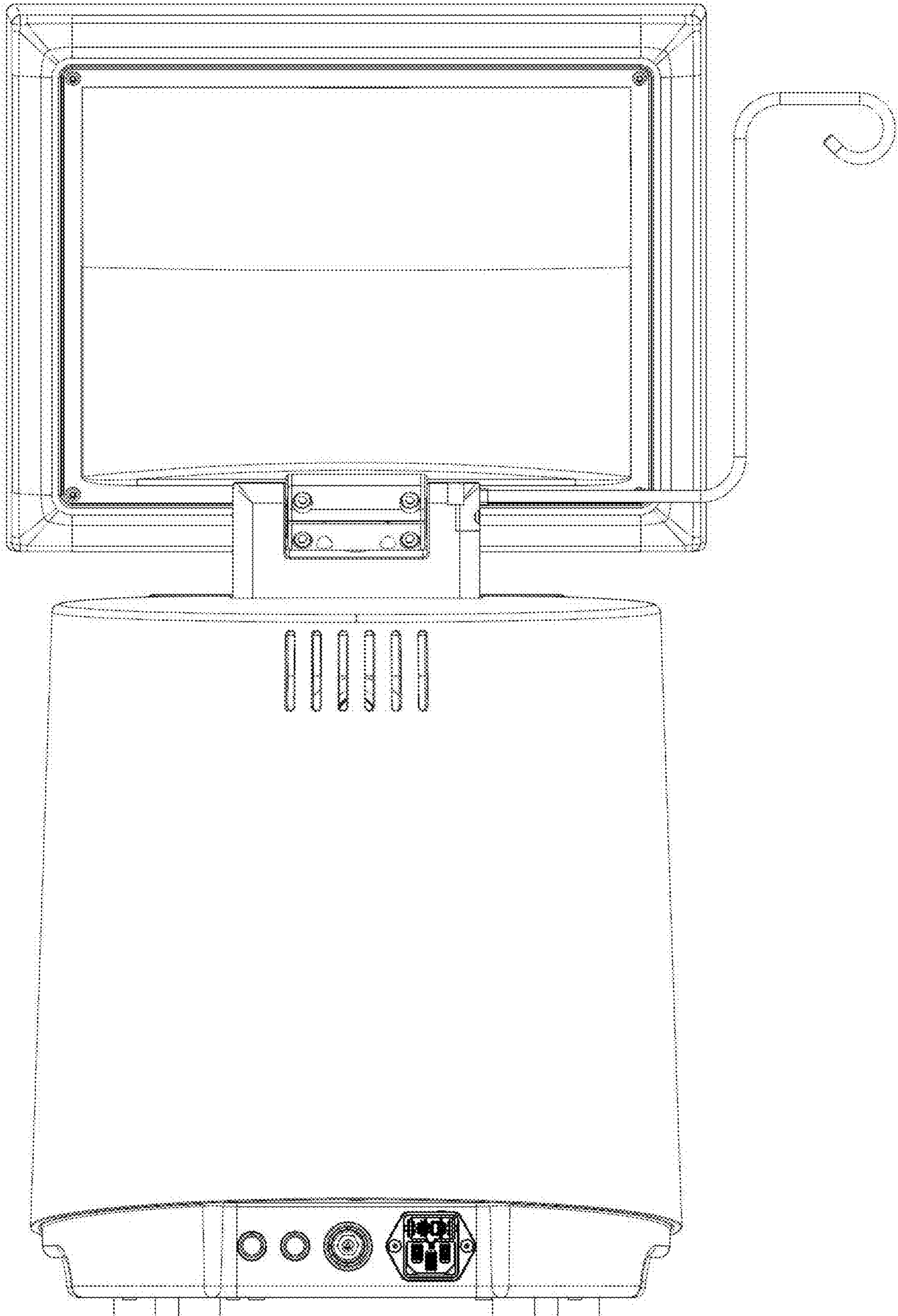
1.2



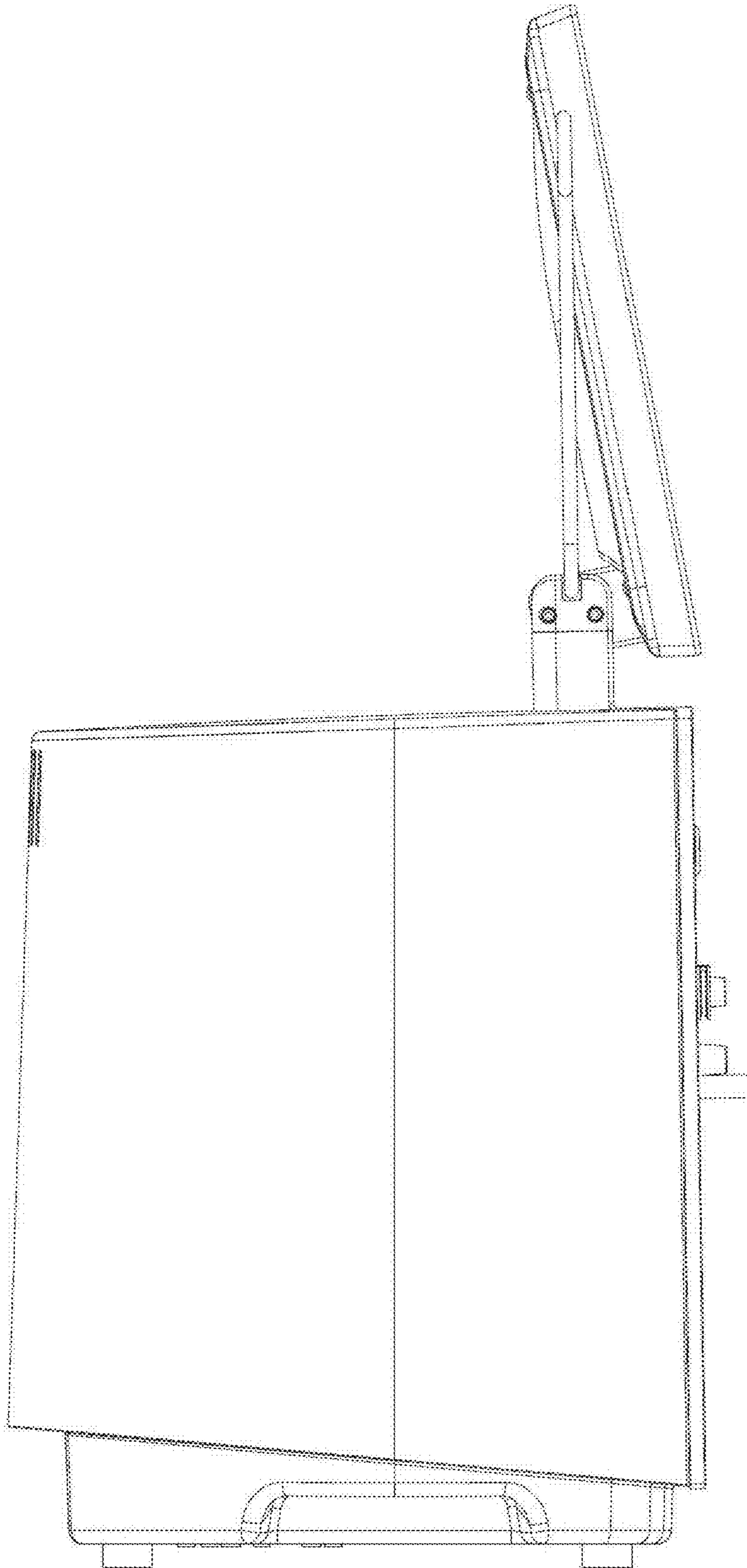
1.3



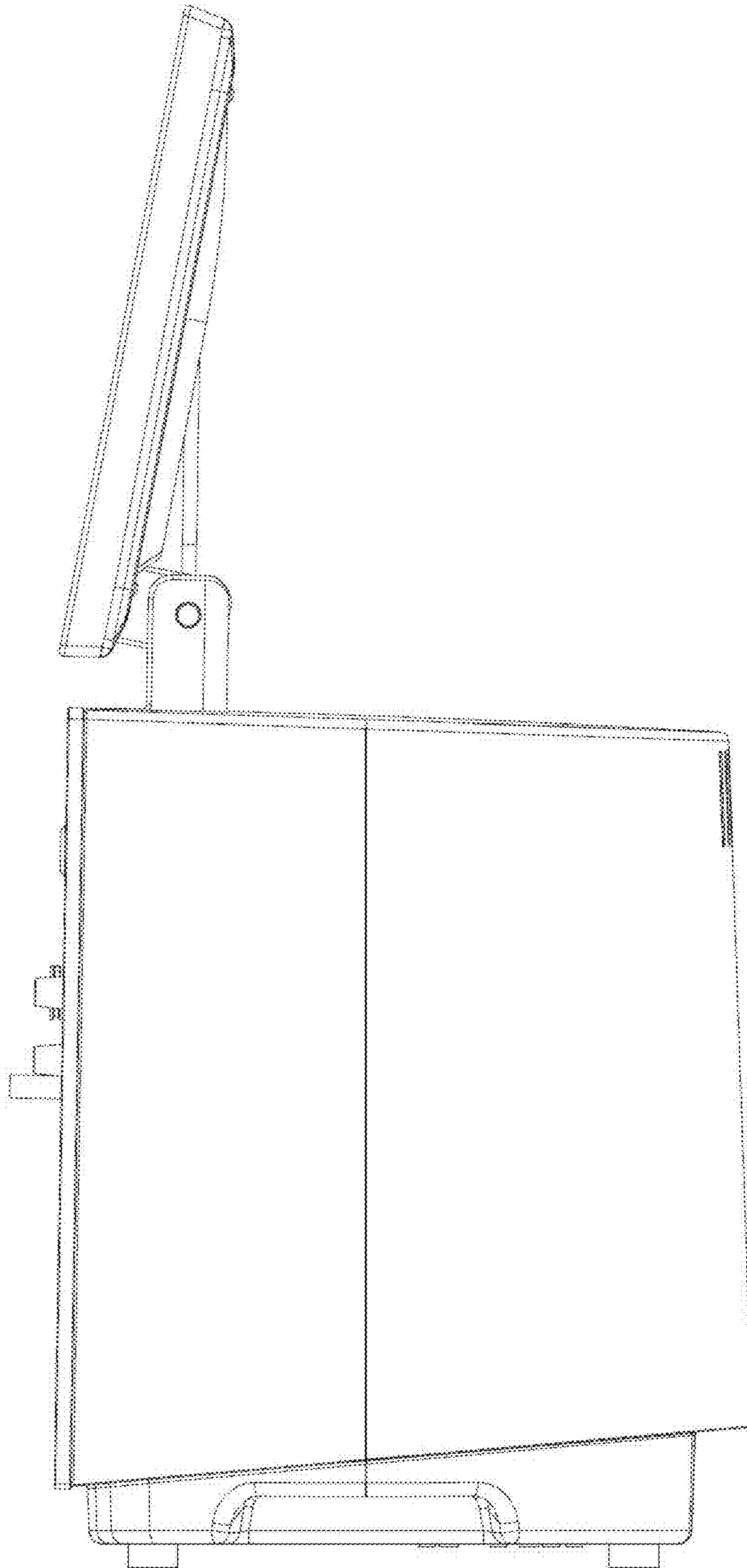
1.4



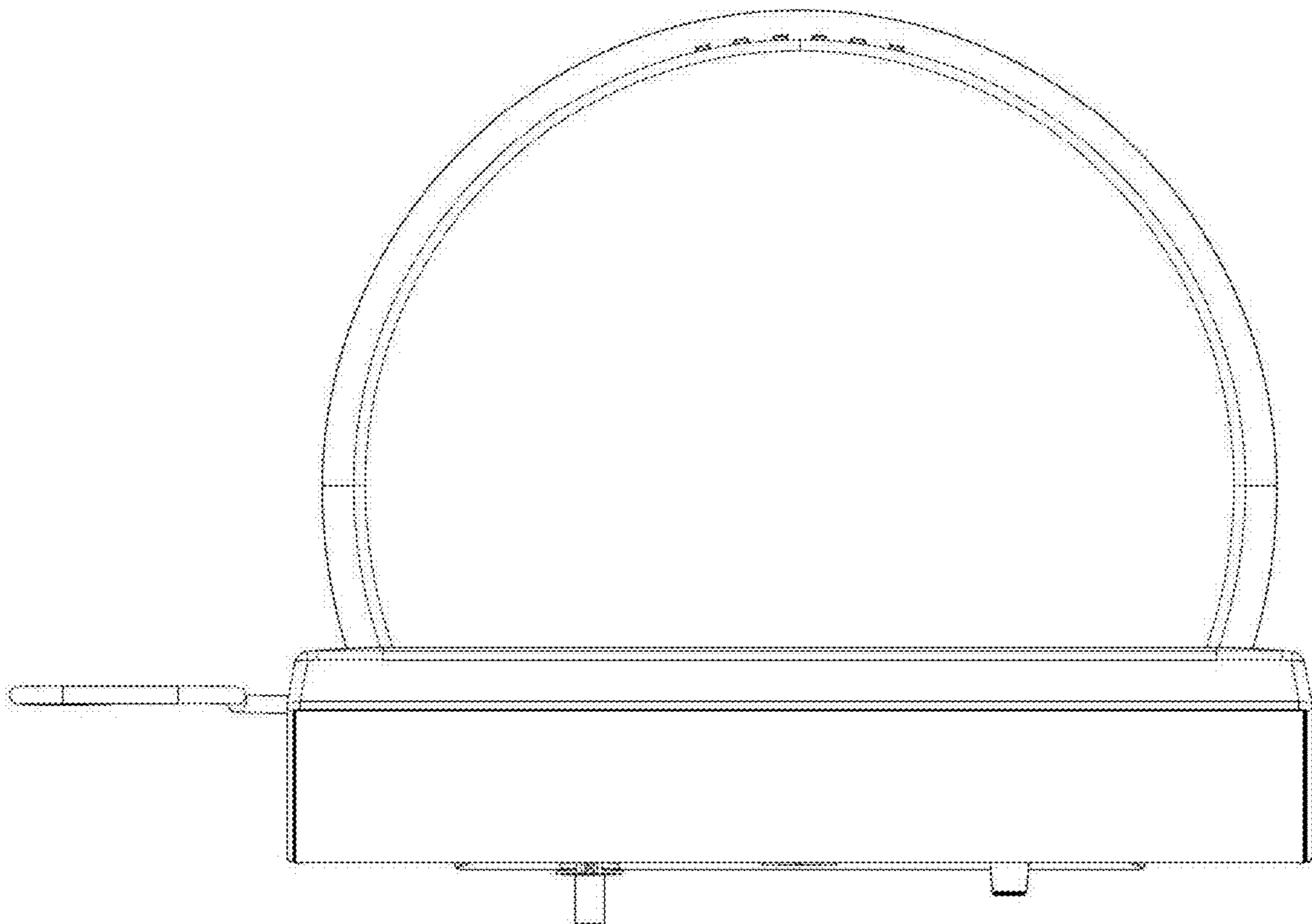
1.5



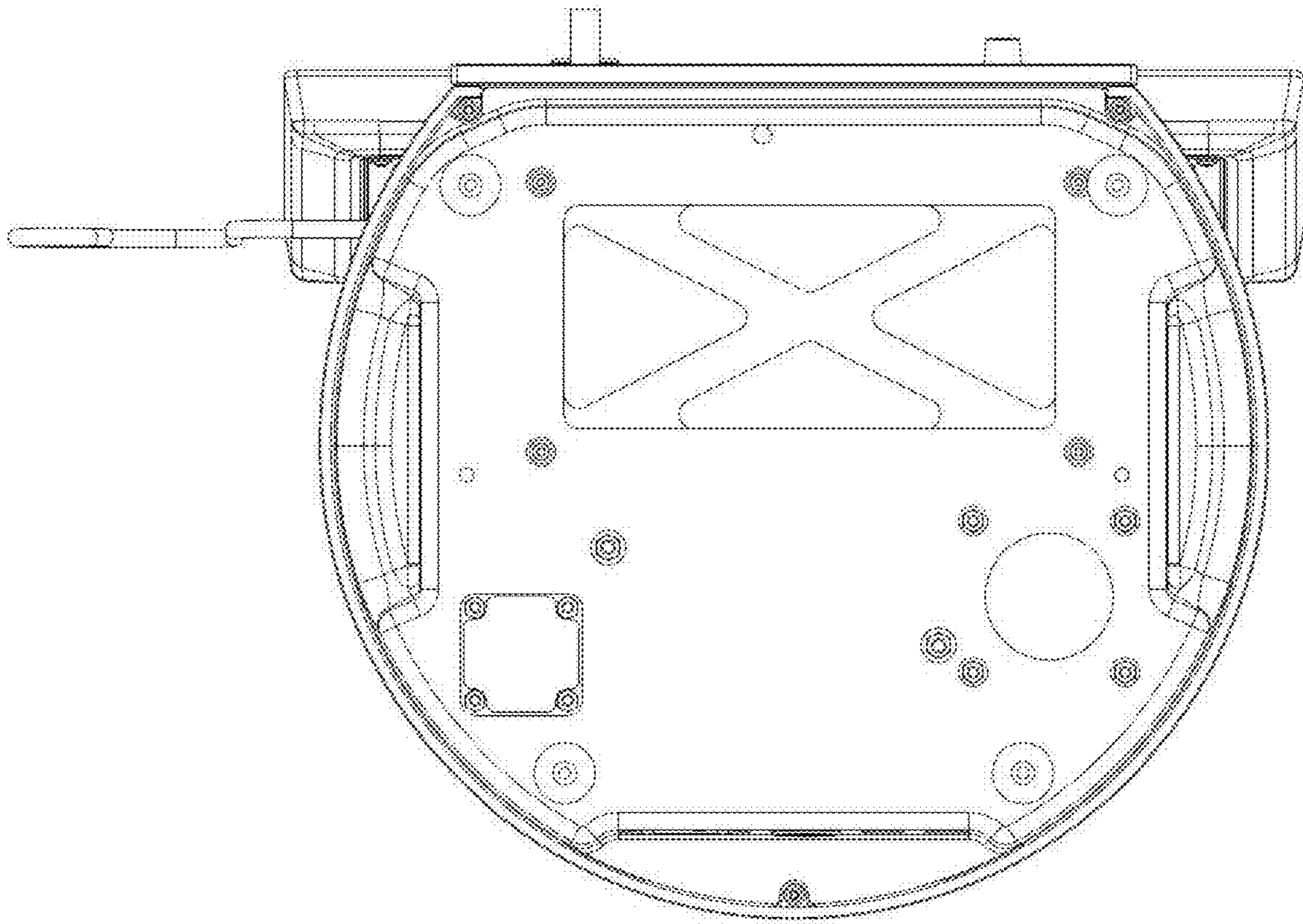
1.6



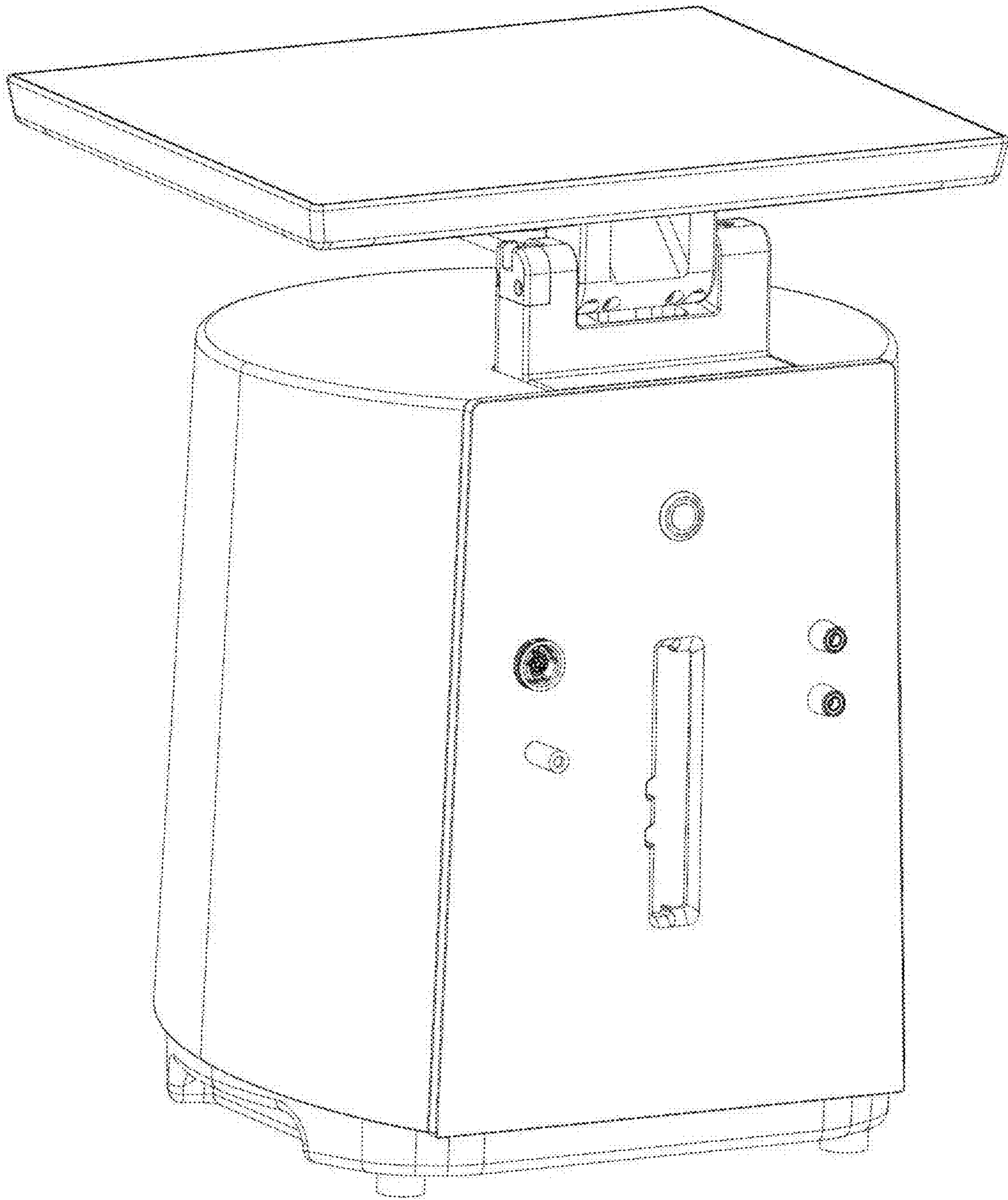
1.7



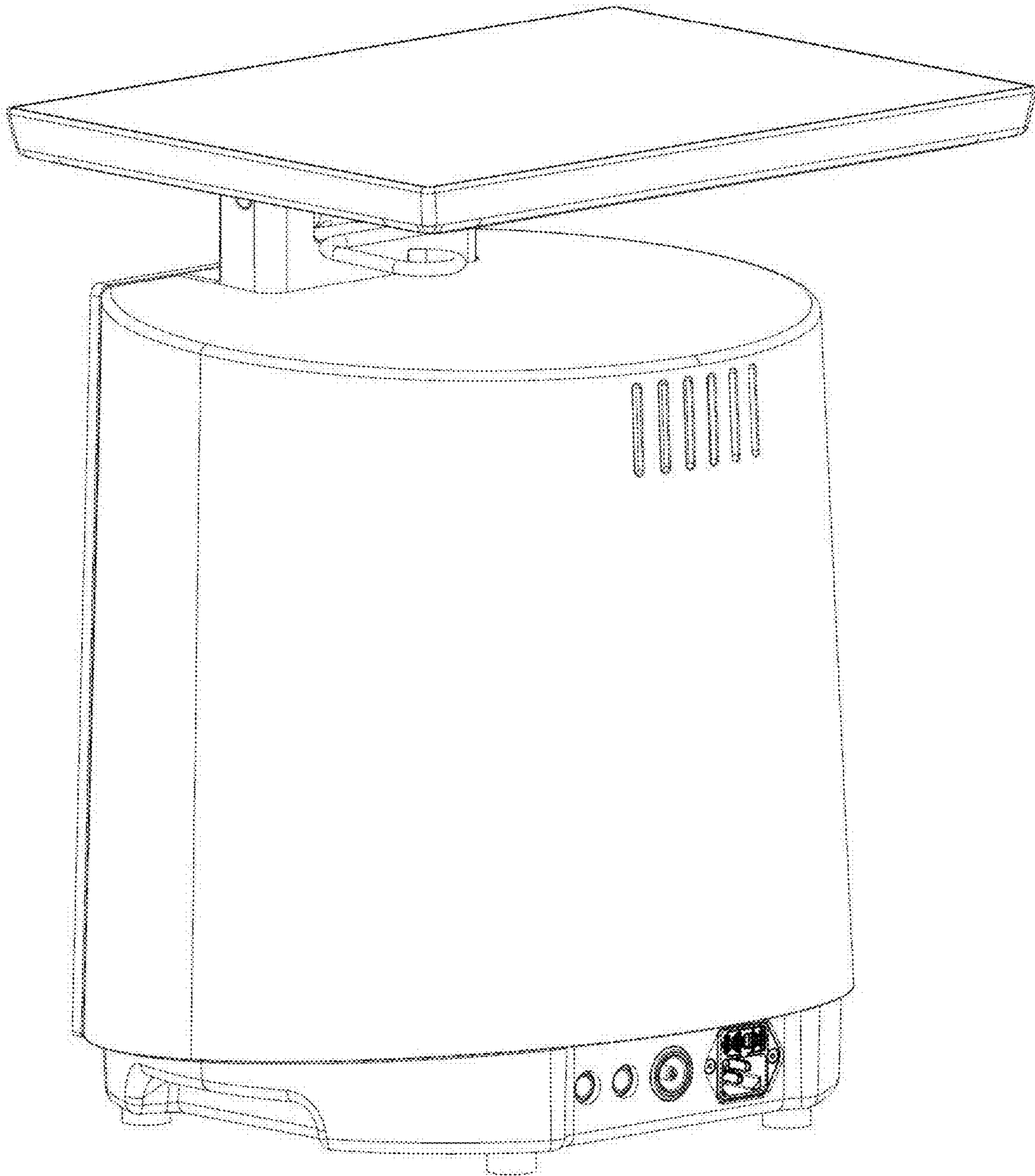
1.8



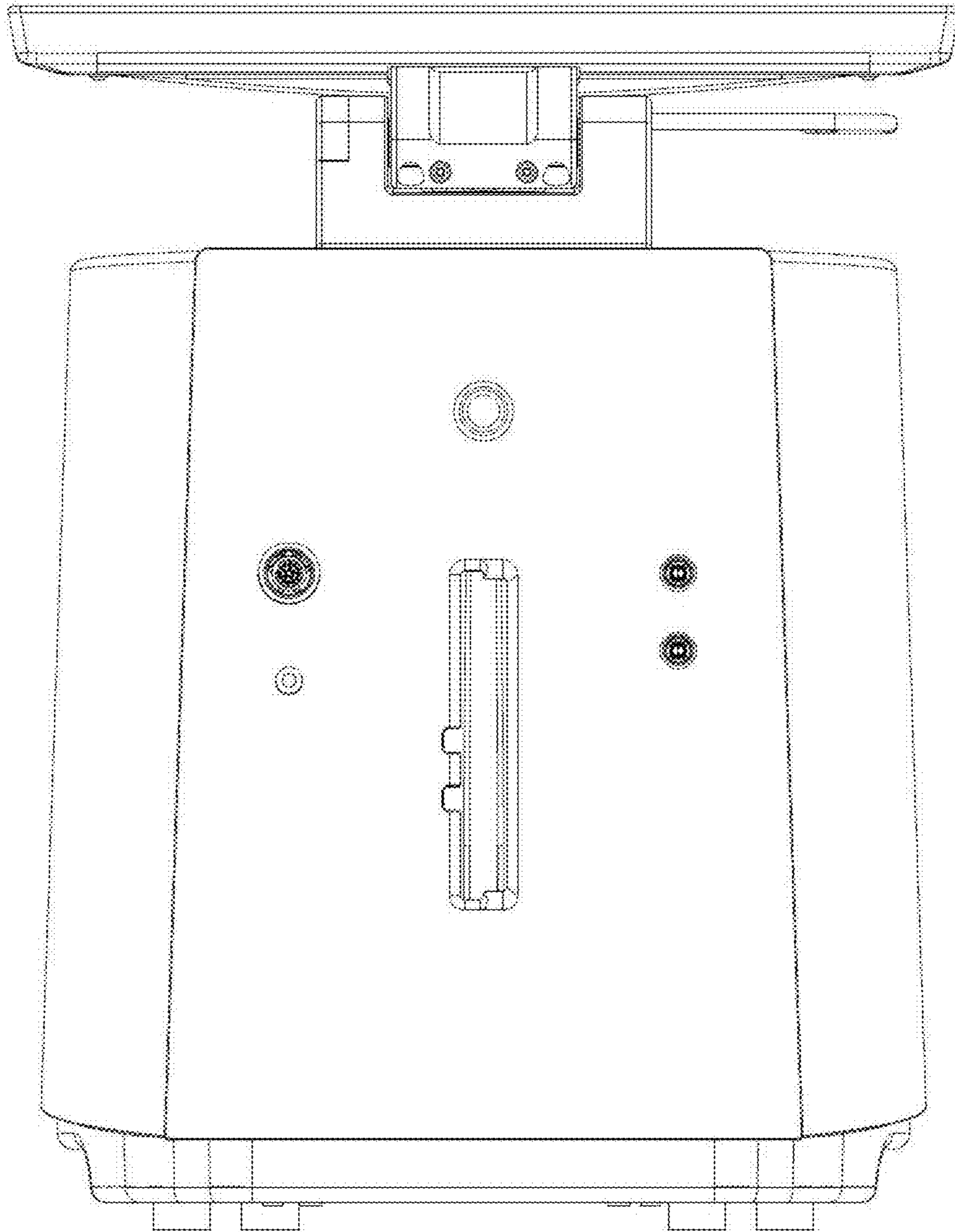
2.1



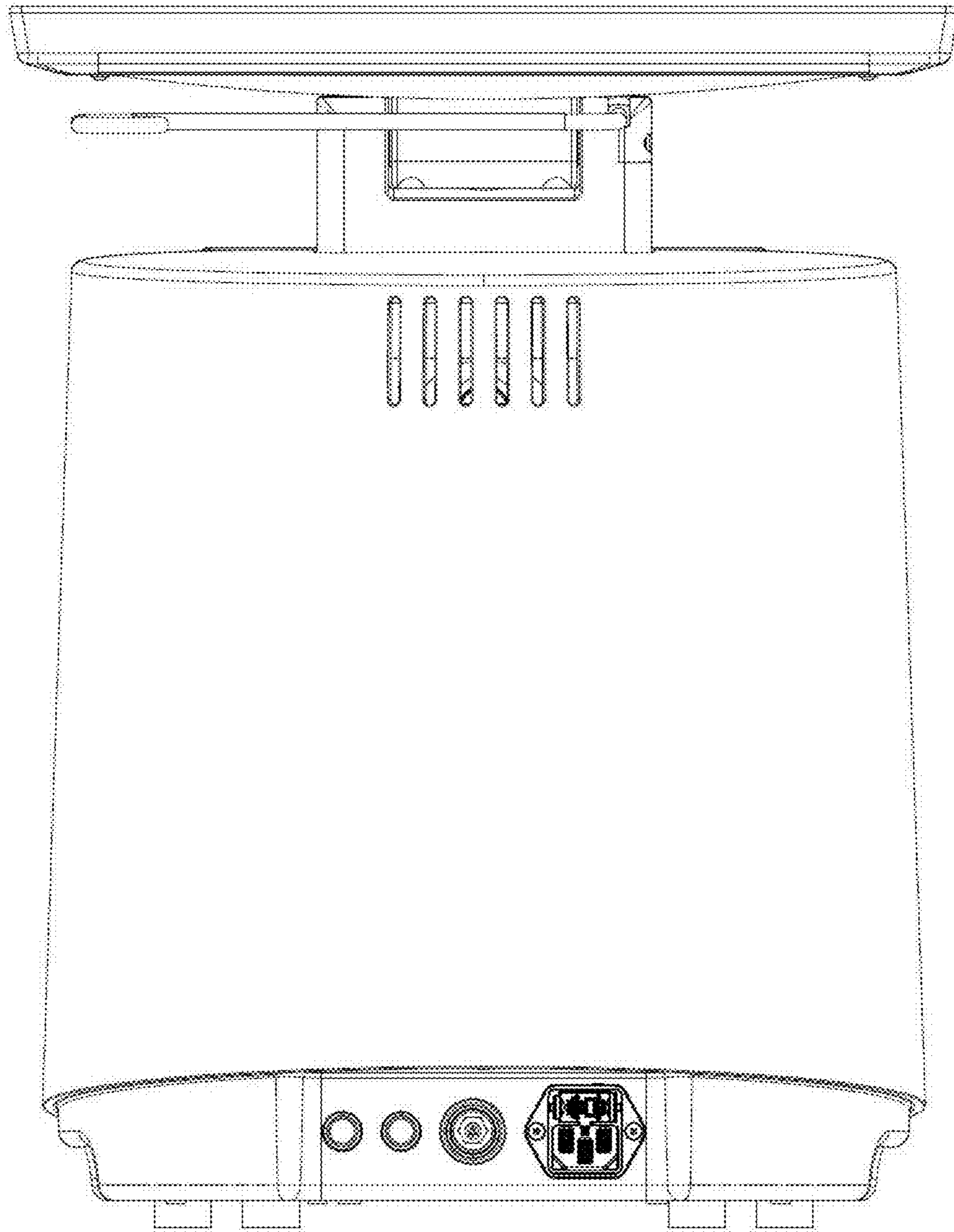
2.2



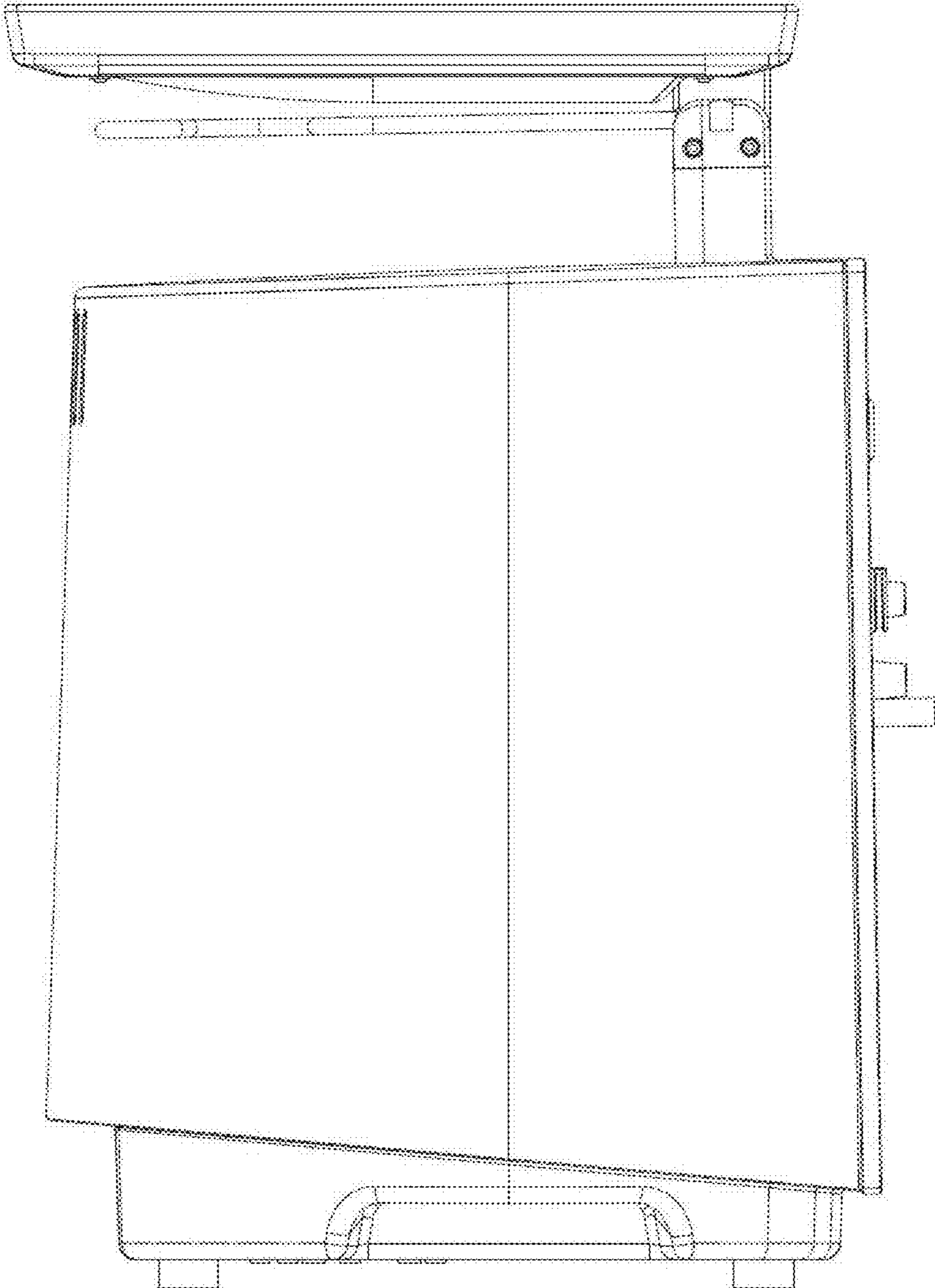
2.3



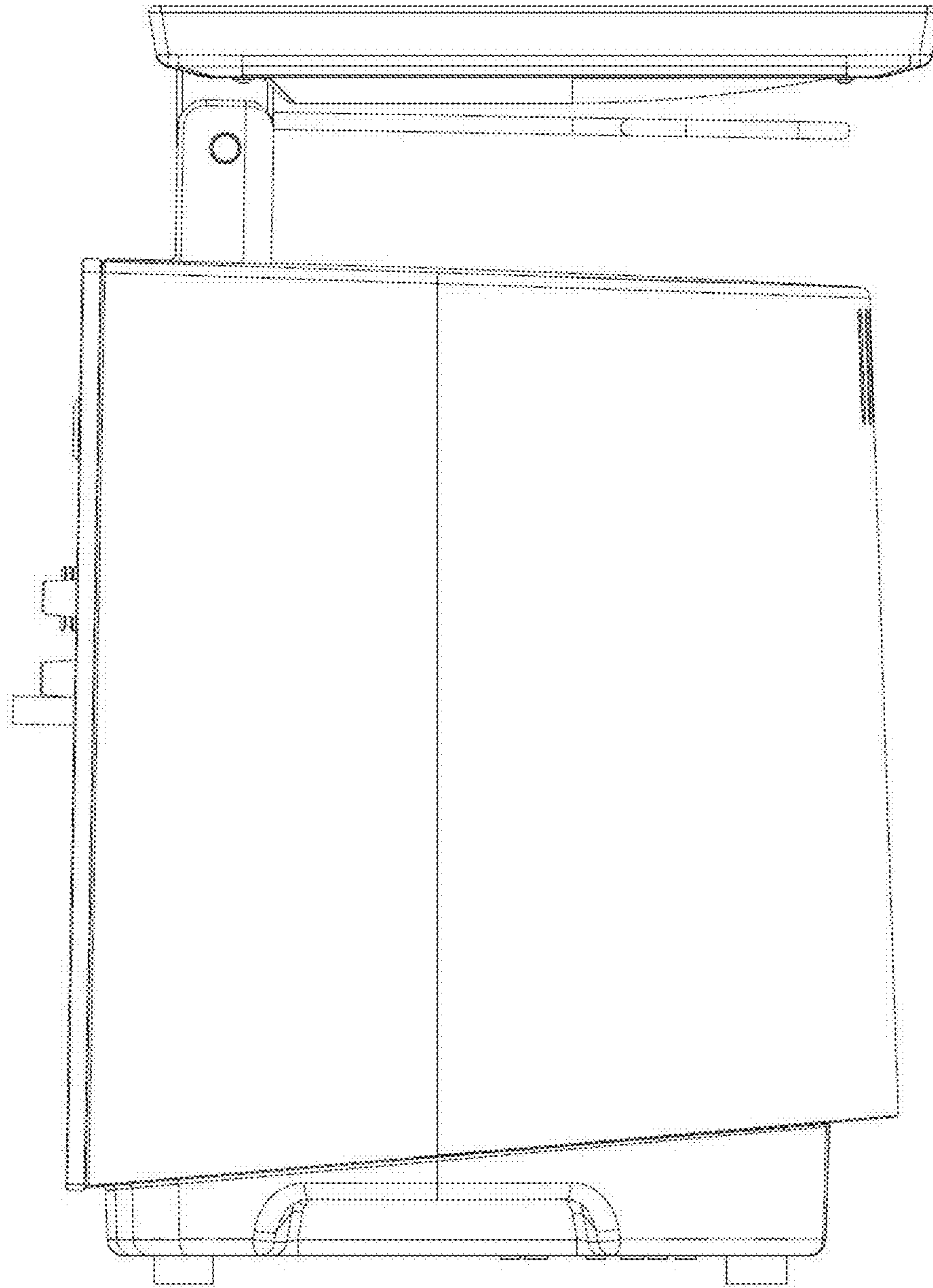
2.4



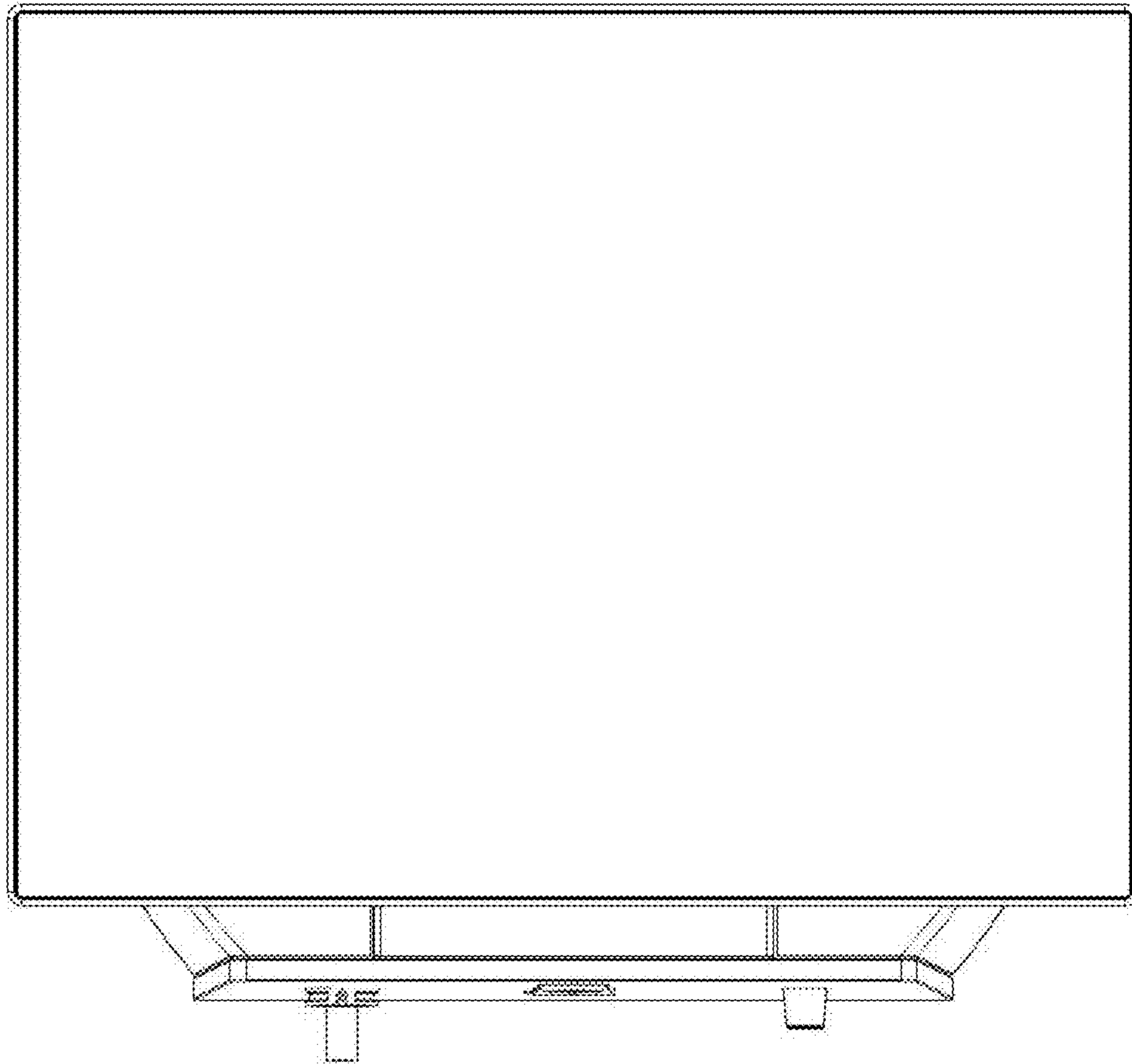
2.5



2.6



2.7



2.8

