



US00D908887S

(12) **United States Design Patent**
Takahashi

(10) **Patent No.:** **US D908,887 S**

(45) **Date of Patent:** **** Jan. 26, 2021**

(54) **CONTROLLER FOR DENTAL EQUIPMENT**

(71) Applicant: **Nakanishi Inc.**, Kanuma (JP)

(72) Inventor: **Wataru Takahashi**, Kanuma (JP)

(73) Assignee: **Nakanishi Inc.**, Kanuma (JP)

(**) Term: **15 Years**

(21) Appl. No.: **29/703,984**

(22) Filed: **Aug. 30, 2019**

(30) **Foreign Application Priority Data**

Mar. 1, 2019 (JP) 2019-004304

(51) **LOC (13) Cl.** **24-02**

(52) **U.S. Cl.**
USPC **D24/177**

(58) **Field of Classification Search**

USPC D24/176-178, 180, 170, 185, 138, 144;
D13/162; 433/29, 82, 125-126

CPC A61C 17/20; A61C 17/221; A61C 1/0015;
A61C 1/0023; A61C 1/0053; A61C
1/003; A61C 1/08

See application file for complete search history.

(56) **References Cited**

U.S. PATENT DOCUMENTS

D539,428 S * 3/2007 Nakanishi D24/177
D618,353 S * 6/2010 Sanga D24/177
D663,423 S * 7/2012 Kagawa D24/177

D670,392 S * 11/2012 Kagawa D24/177
D675,321 S * 1/2013 Sanga D24/177
9,072,565 B2 * 7/2015 Pruckner A61C 1/0015
D767,766 S * 9/2016 Sanga D24/177
2010/0279250 A1 * 11/2010 Pond A61C 1/0015
433/80
2015/0223909 A1 * 8/2015 Brown A61C 1/003
433/118

FOREIGN PATENT DOCUMENTS

CN 305871313 * 11/2019

* cited by examiner

Primary Examiner — Wan Laymon

(74) *Attorney, Agent, or Firm* — Banner & Witcoff, Ltd.

(57) **CLAIM**

The ornamental design for a controller for dental equipment, as shown and described.

DESCRIPTION

FIG. 1 is a front perspective view of a controller for dental equipment;

FIG. 2 is a rear perspective view thereof;

FIG. 3 is a front view thereof;

FIG. 4 is a rear view thereof;

FIG. 5 is a left side view thereof;

FIG. 6 is a right side view thereof;

FIG. 7 is a top view thereof; and,

FIG. 8 is a bottom view thereof.

In the drawings, the broken lines depict environmental subject matter only and form no part of the claimed design.

1 Claim, 8 Drawing Sheets

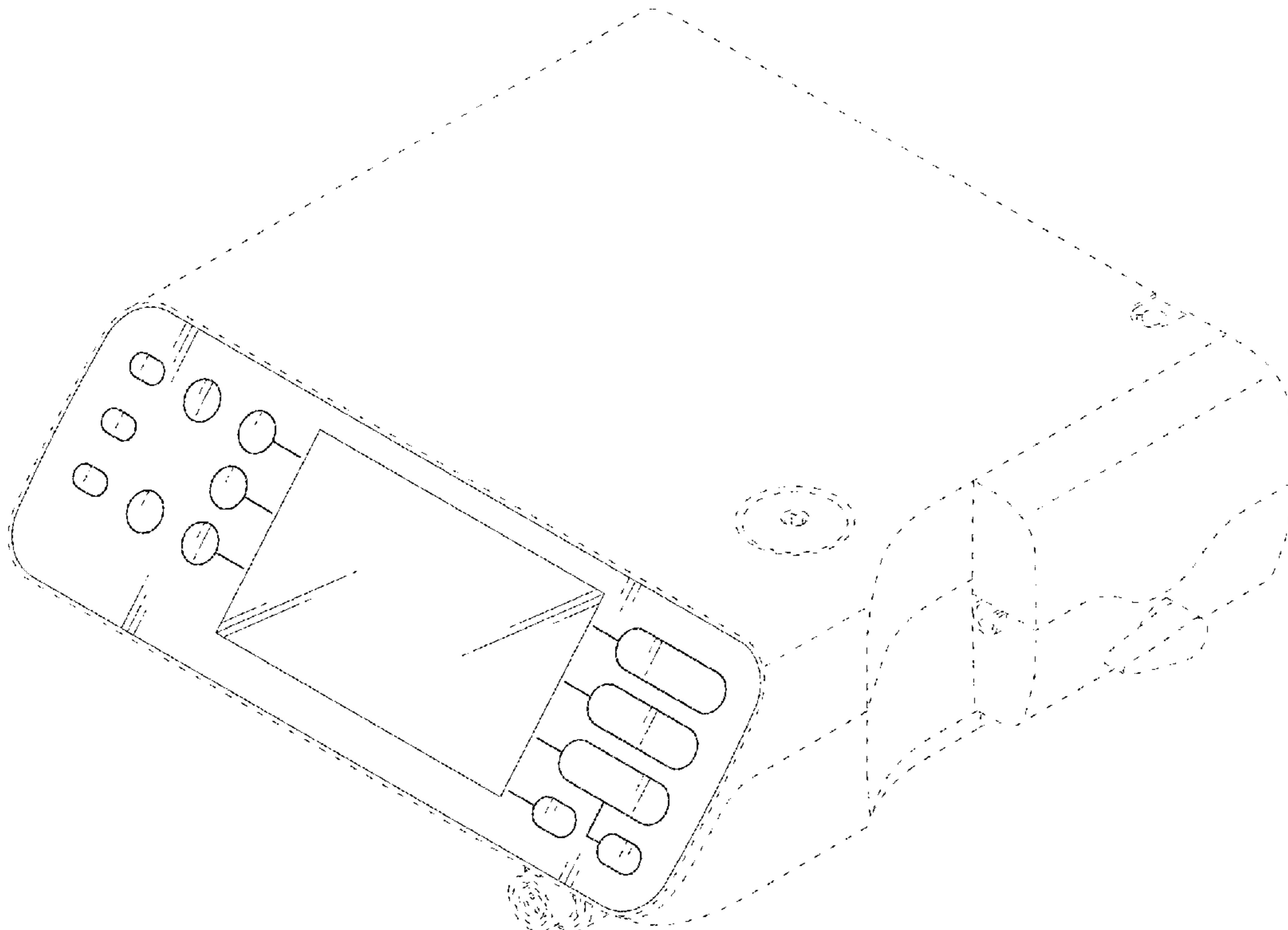


FIG. 1

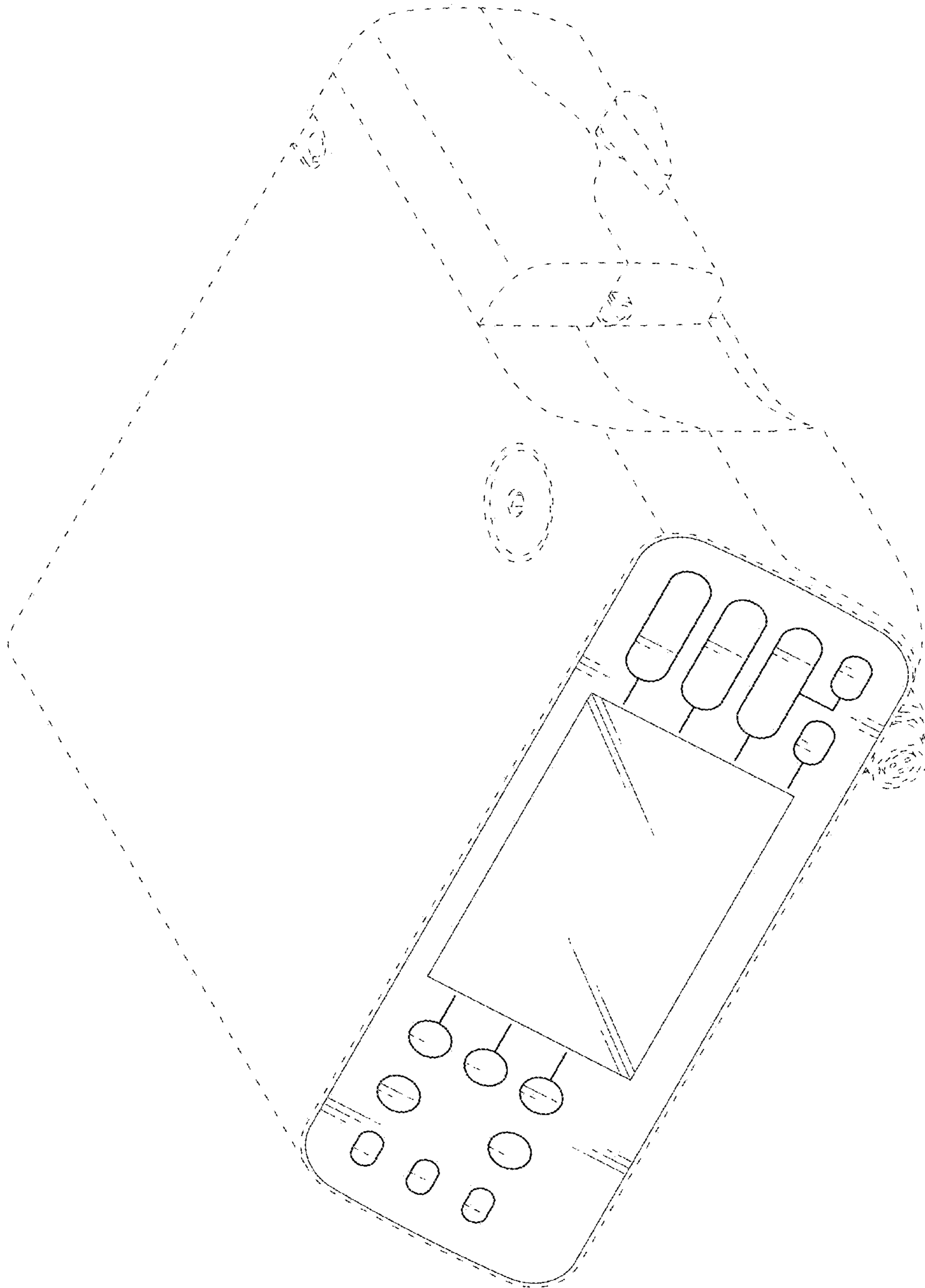


FIG. 2

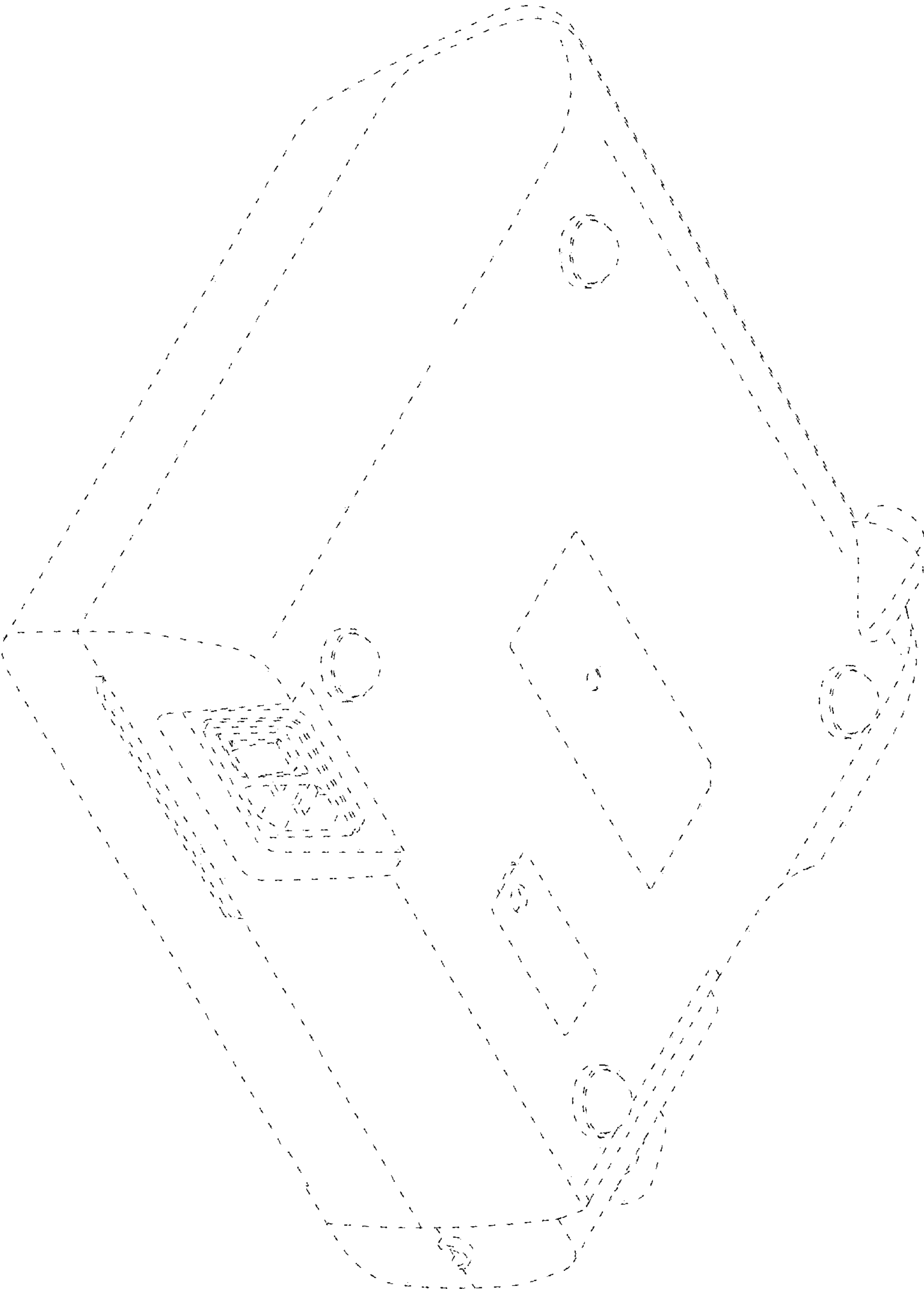


FIG. 3

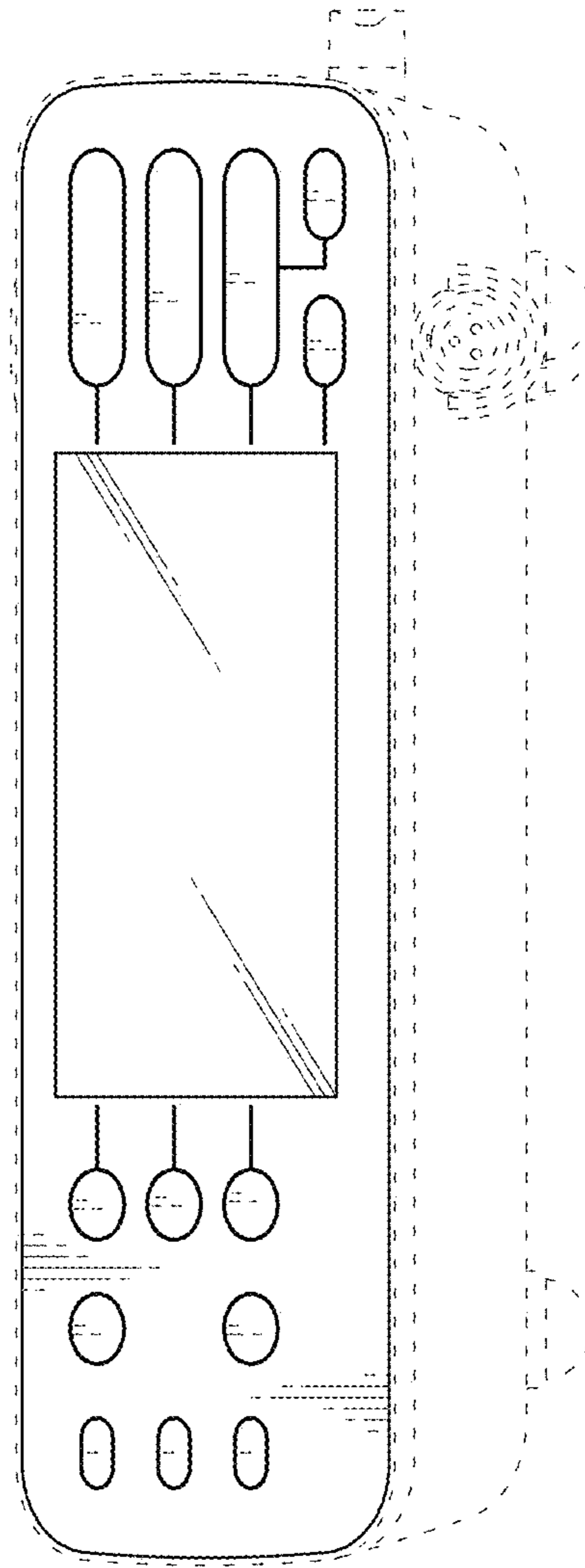


FIG. 4

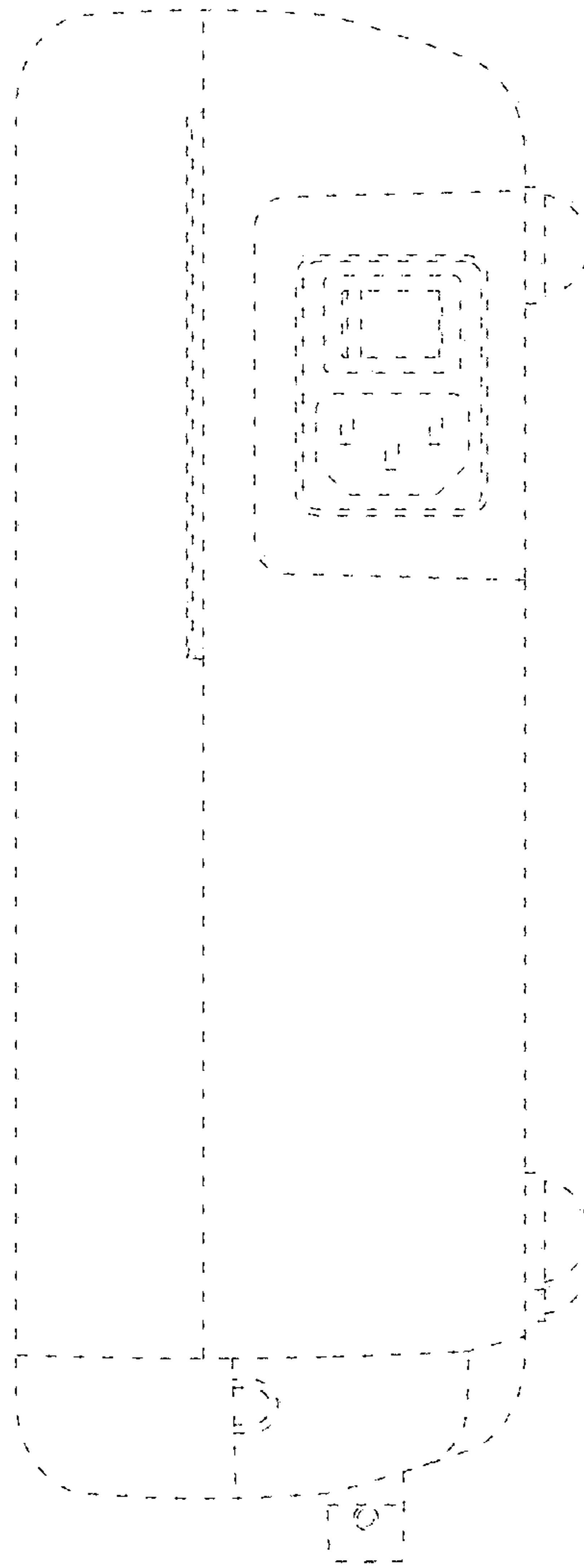


FIG. 5

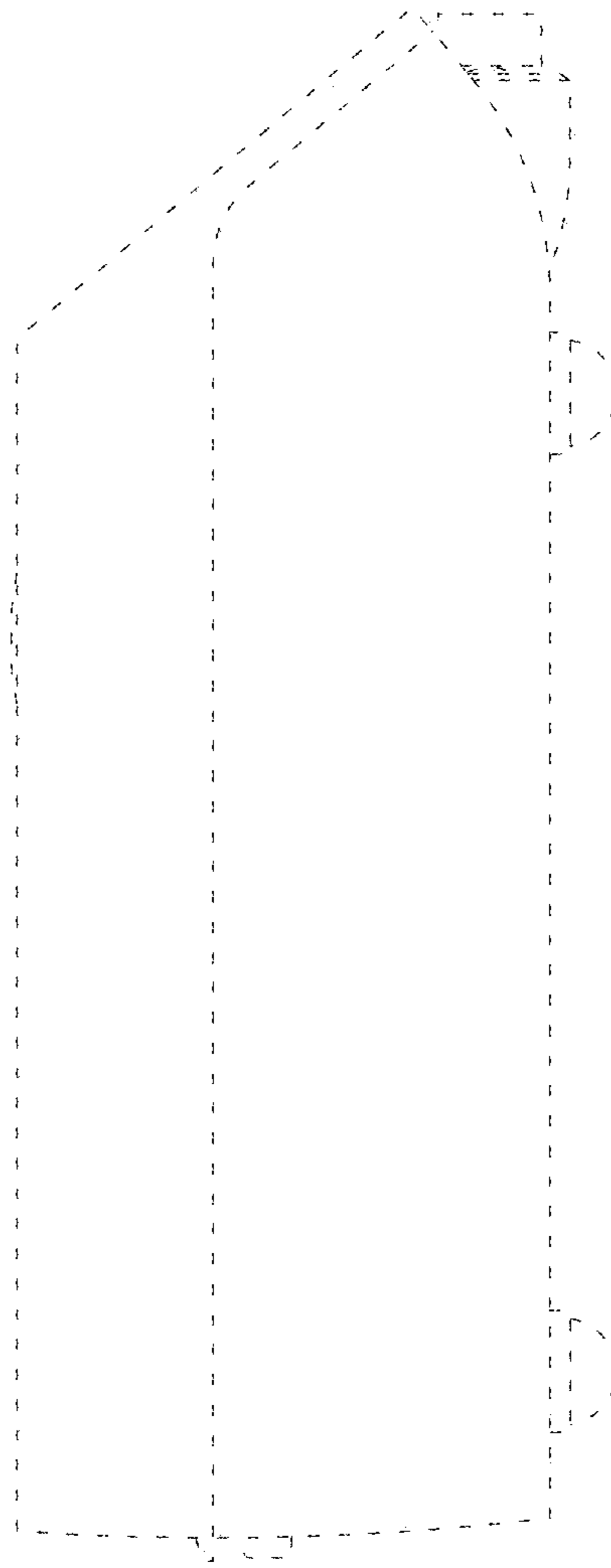


FIG. 6

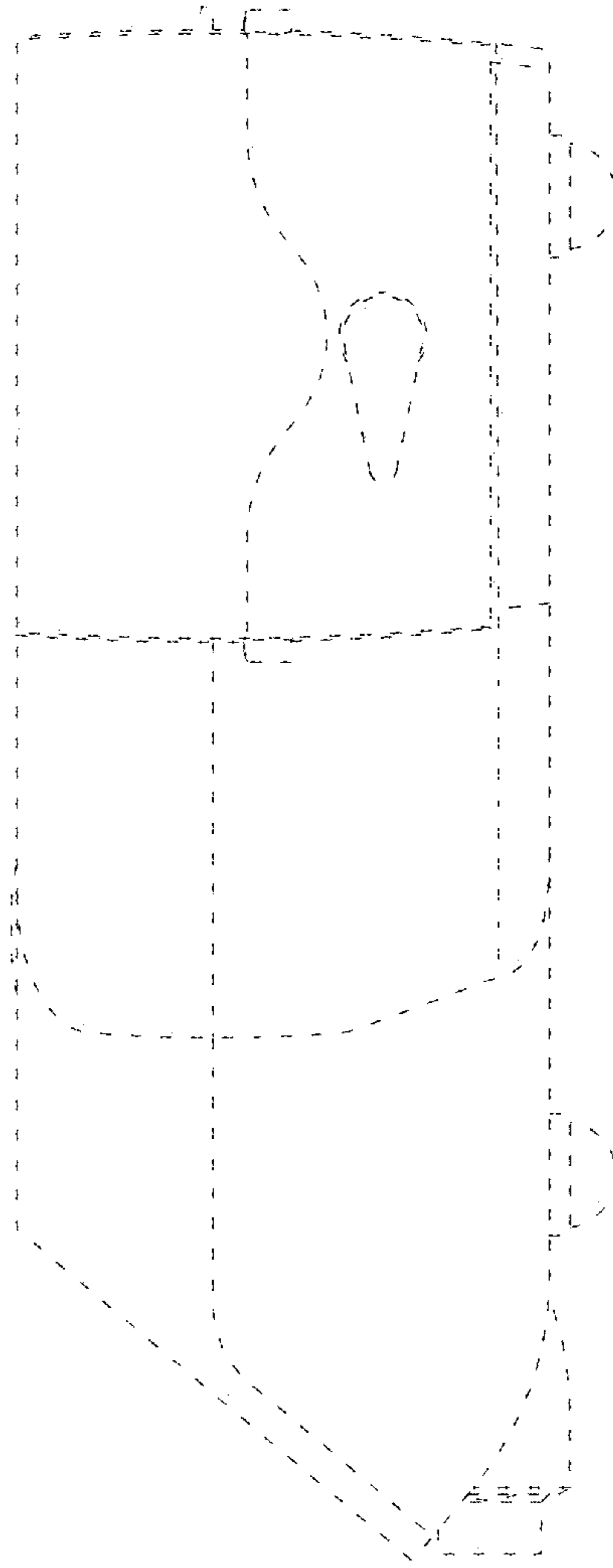


FIG. 7

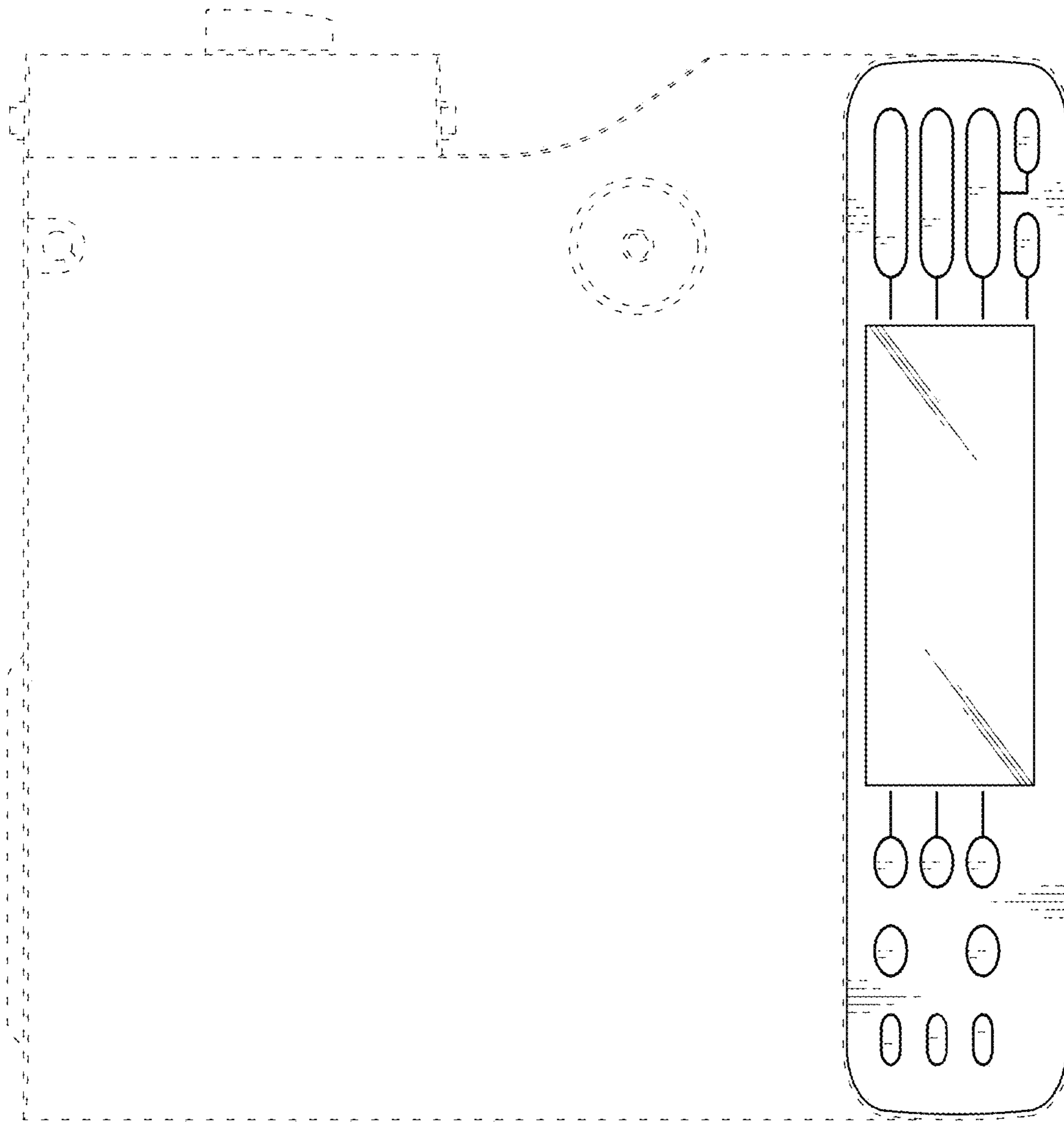


FIG. 8

