



US00D908886S

(12) **United States Design Patent**
Wang

(10) **Patent No.:** **US D908,886 S**

(45) **Date of Patent:** **** Jan. 26, 2021**

(54) **TRAVELING TOOTH CLEANER**

(71) Applicant: **YueE Wang**, Guangdong (CN)

(72) Inventor: **YueE Wang**, Guangdong (CN)

(**) Term: **15 Years**

(21) Appl. No.: **29/688,063**

(22) Filed: **Apr. 18, 2019**

(51) **LOC (13) Cl.** **24-02**

(52) **U.S. Cl.**
USPC **D24/176; D24/111**

(58) **Field of Classification Search**
USPC D24/152, 176, 111; 433/80
CPC . A61C 17/02; A61C 17/0202; A61C 17/0205;
A61C 17/0214; A61C 17/028; A61C
17/16; A61C 17/26; A61C 17/28; A61C
17/36
See application file for complete search history.

(56) **References Cited**

U.S. PATENT DOCUMENTS

| | | | | |
|----------------|---------|-----------|-------|------------------------|
| D373,631 S * | 9/1996 | Maeda | | D24/111 |
| D413,975 S * | 9/1999 | Maeda | | D24/176 |
| D468,422 S * | 1/2003 | McCurrach | | D24/176 |
| D548,334 S * | 8/2007 | Izumi | | D24/152 |
| 7,670,141 B2 * | 3/2010 | Thomas | | A61C 17/0202 433/80 |
| 8,113,832 B2 * | 2/2012 | Snyder | | A61C 17/02 433/80 |
| 9,642,677 B2 * | 5/2017 | Luetngen | | A61C 17/028 |
| D806,228 S * | 12/2017 | Yan | | D24/176 |

OTHER PUBLICATIONS

Panasonic Oral Irrigator Water Flosser Cordless Dental Care EWDJ10.
Earliest reviewed date: Mar. 6, 2017. Retrieved on May 29, 2020.

Retrieved from the Internet: <https://www.mymemory.com/panasonic-oral-irrigator-water-flosser-cordless-dental-care-ewdj10.html>.
Soocas W3 Oral Irrigator Dental Portable Water Flosser Tips USB Rechargeable Water Jet Flosser IPX7 Irrigator for Cleaning Teeth. Retrieved on May 29, 2020. Retrieved from the Internet: <https://www.aliexpress.com/item/32955673350.html>.

* cited by examiner

Primary Examiner — Wan Laymon

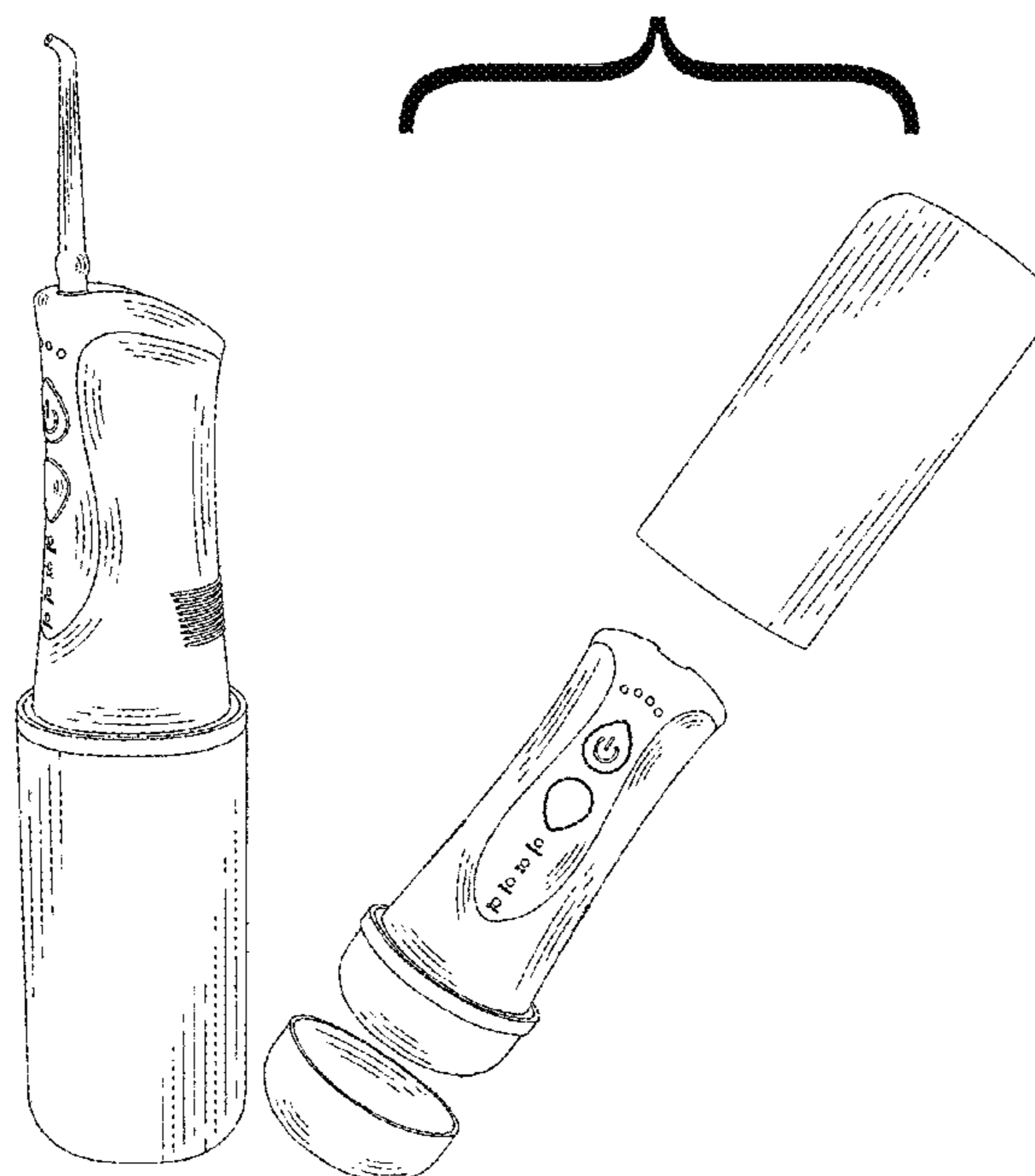
(57) **CLAIM**

The ornamental design for a traveling tooth cleaner, as shown and described.

DESCRIPTION

FIG. 1 is a perspective view of a traveling tooth cleaner showing my new design;
FIG. 2 is a front elevation view thereof;
FIG. 3 is a rear elevation view thereof;
FIG. 4 is a left side elevation view thereof;
FIG. 5 is a right side elevation view thereof;
FIG. 6 is a top plan view thereof, shown enlarged in scale;
FIG. 7 is a bottom plan view thereof, shown enlarged in scale;
FIG. 8 is a perspective view of the first use state, shown at an enlarged scale;
FIG. 9 is a perspective view of the second use state, shown at an enlarged scale;
FIG. 10 is the first exploded view thereof;
FIG. 11 is the second exploded view thereof; and,
FIG. 12 is a combined state of the exploded view shown in FIG. 11, shown at an enlarged scale.
The broken lines shown in FIG. 6 are for the purpose of illustrating portions of the portions of the traveling tooth cleaner and form no part of the claimed design.

1 Claim, 12 Drawing Sheets



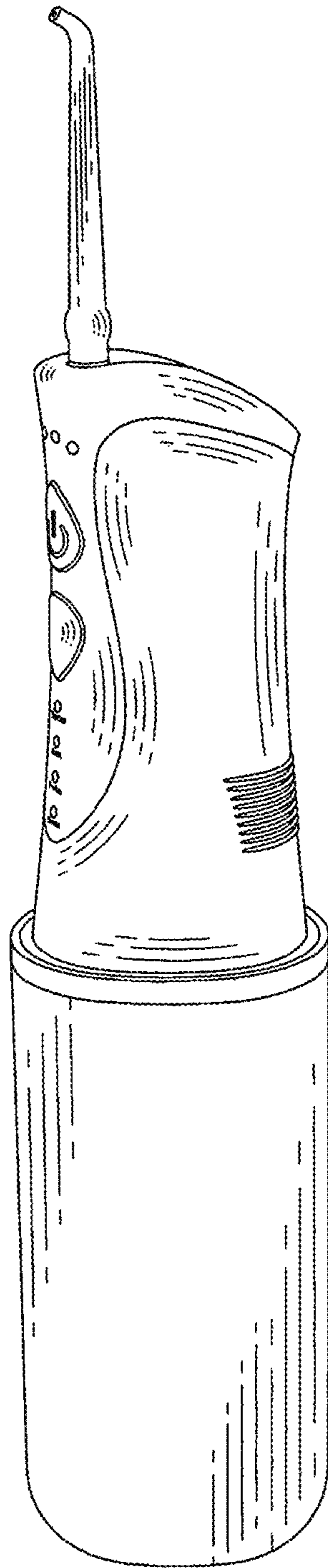


FIG.1

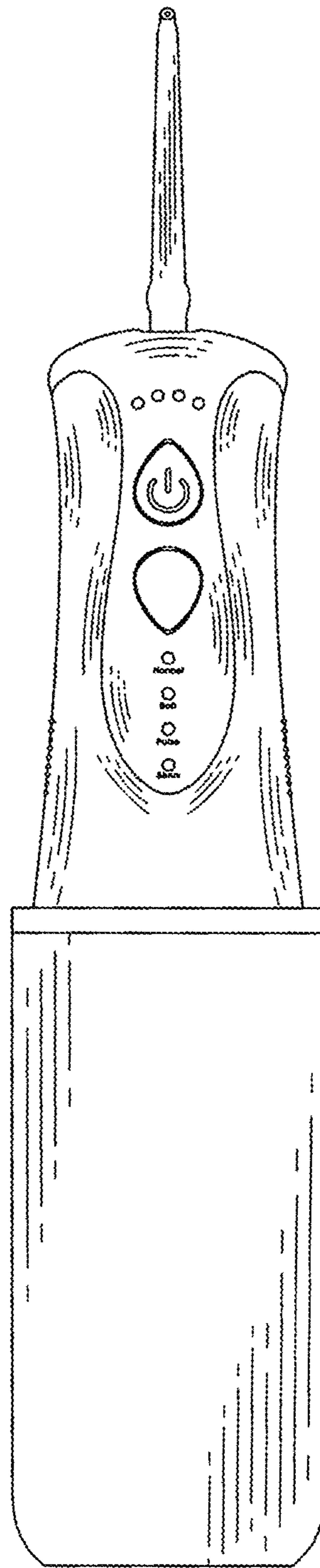


FIG.2

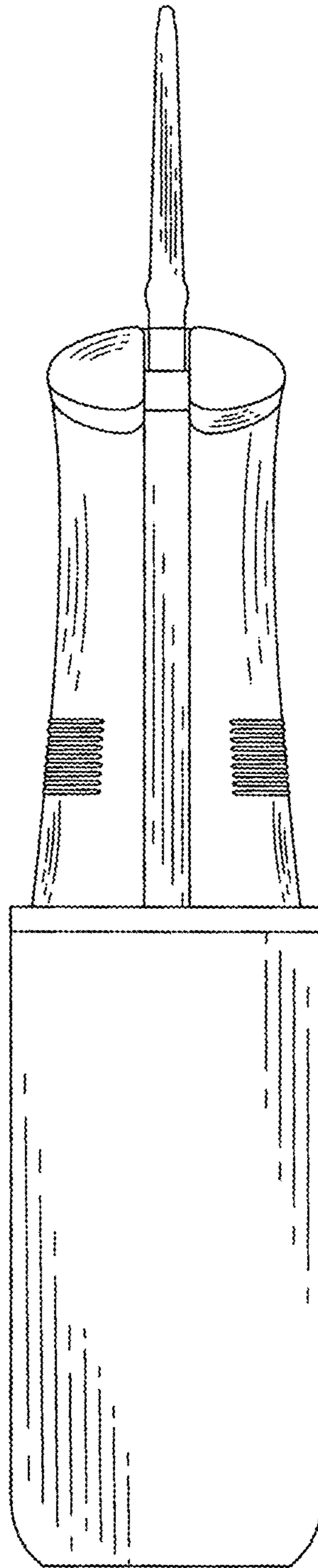


FIG.3

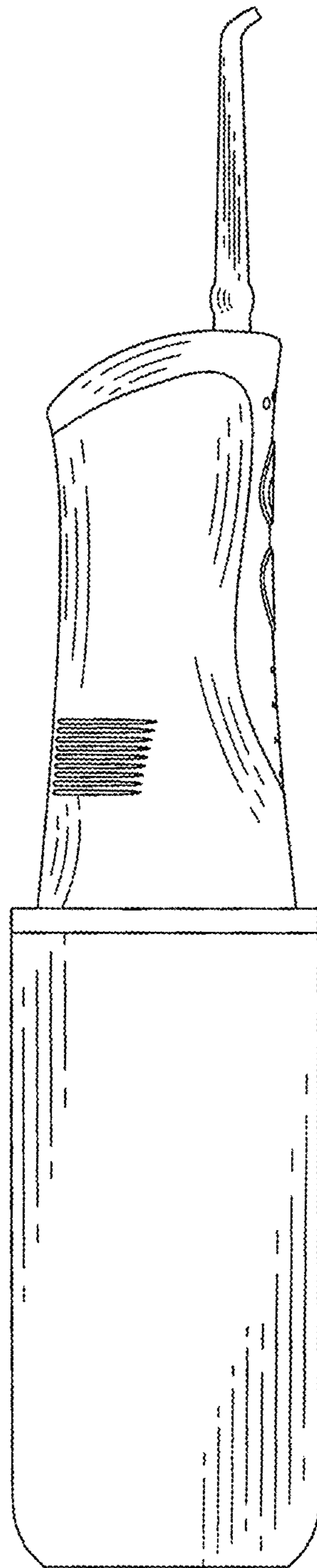


FIG.4

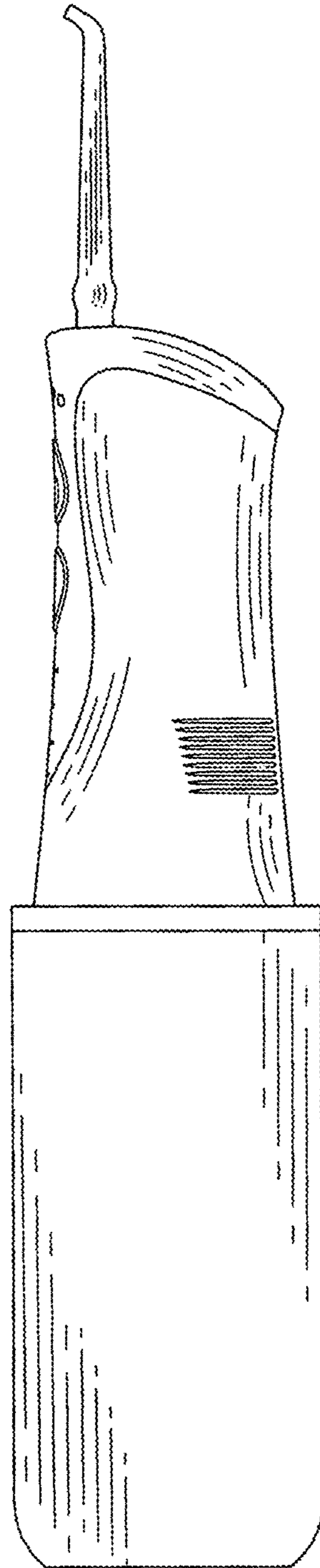


FIG.5

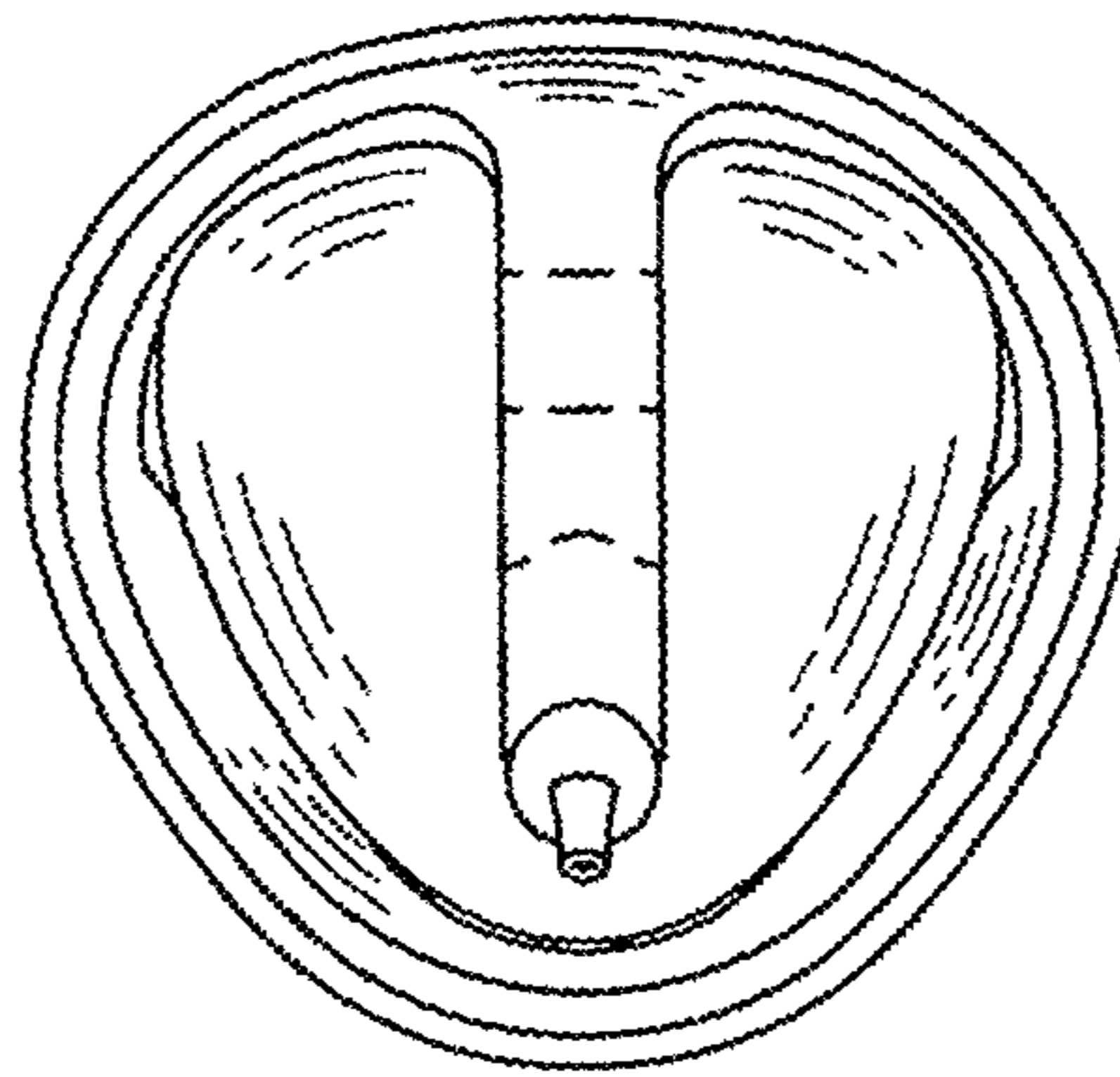


FIG.6

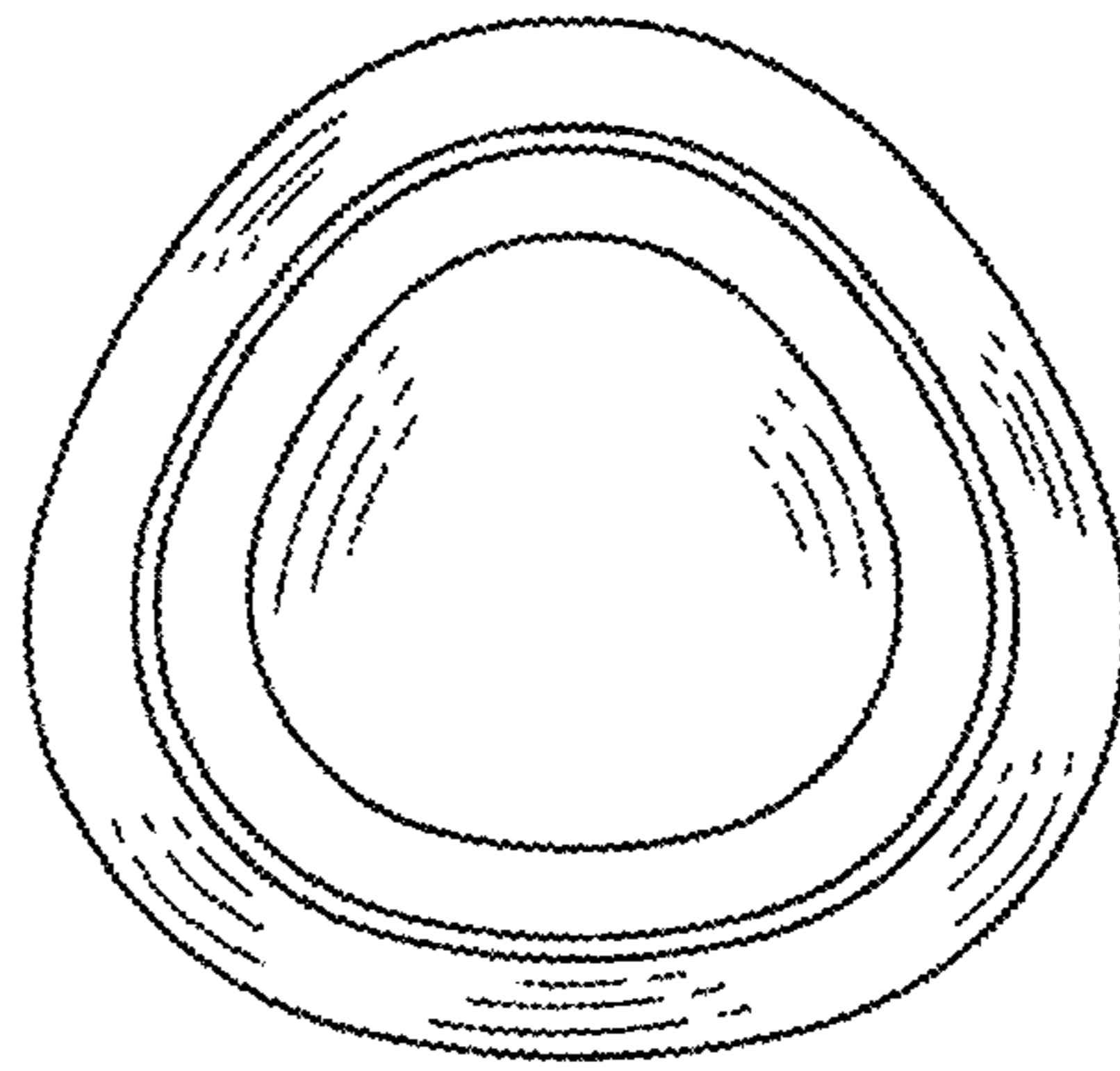


FIG. 7

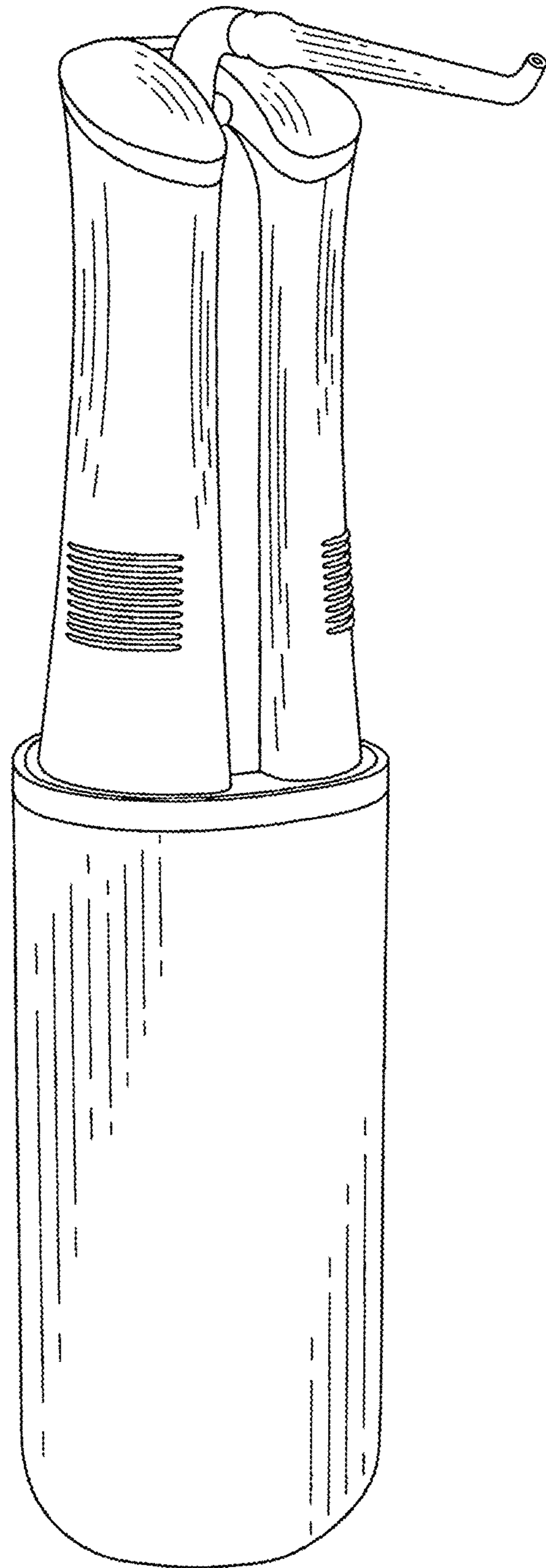


FIG. 8

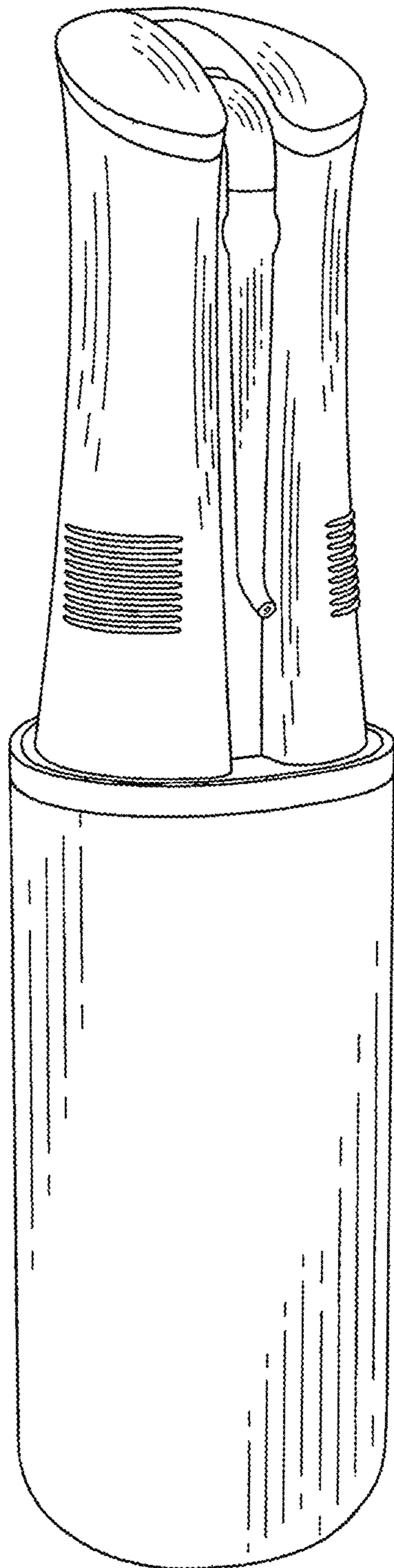


FIG. 9

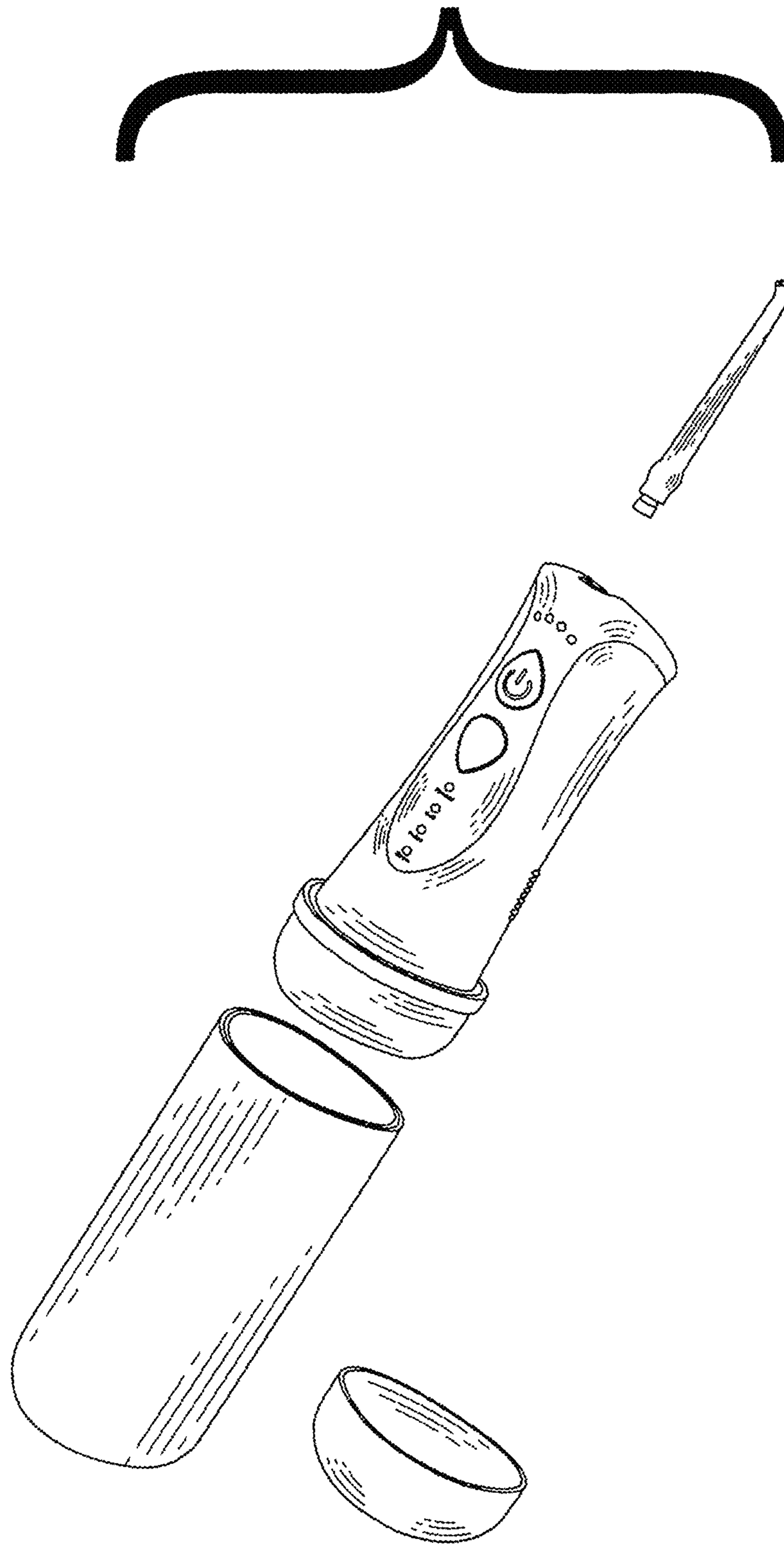


FIG. 10

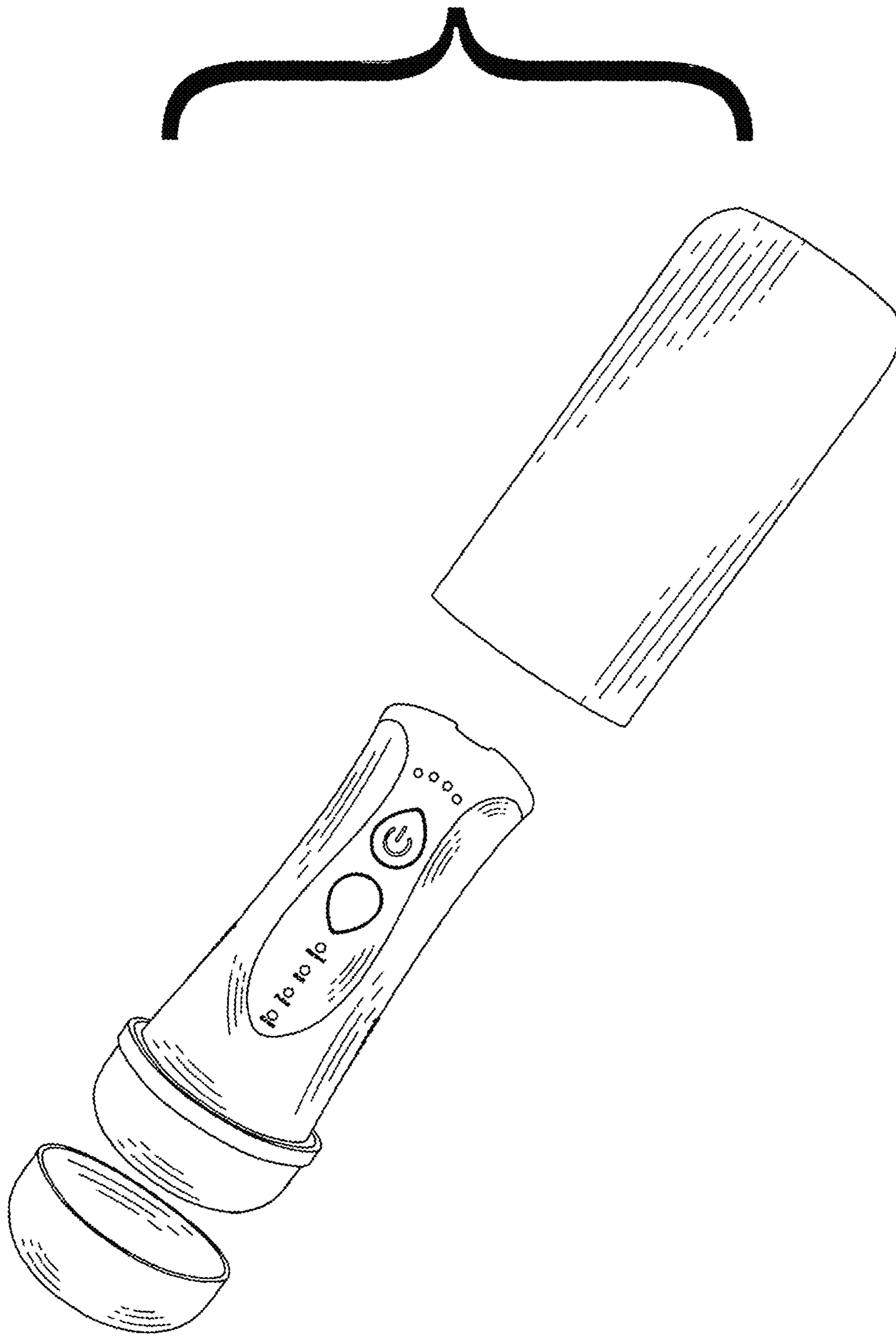


FIG. 11

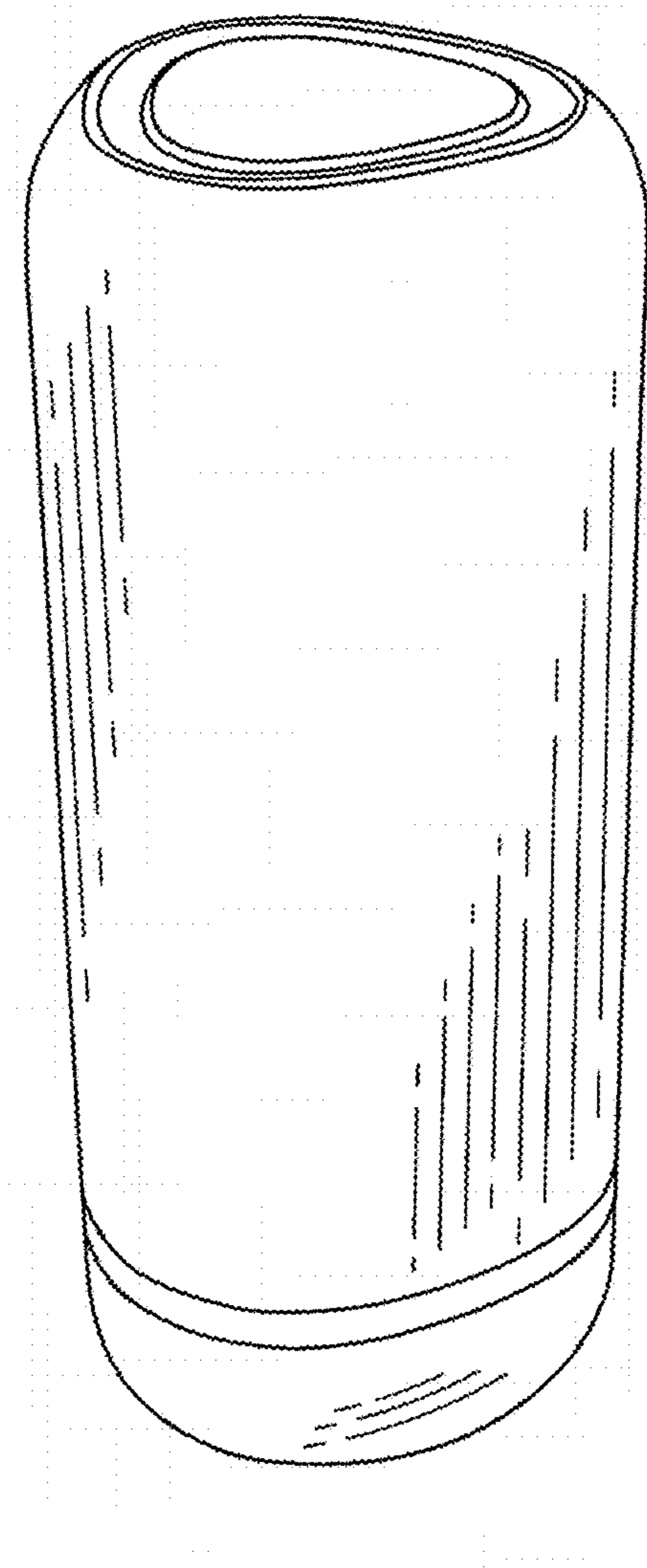


FIG. 12