



US00D908882S

(12) **United States Design Patent** (10) **Patent No.:** **US D908,882 S**  
**De Marco et al.** (45) **Date of Patent:** **\*\* Jan. 26, 2021**

(54) **SENSOR DEVICE**  
(71) Applicant: **Aktiia Ltd.**, Neuchatel (CH)  
(72) Inventors: **Bastien De Marco**, Lausanne (CH); **Nadège Siutryk**, Zurich (CH); **Josep Maria Solà I Carós**, Corcelles-Cormondrèche (CH); **Sibylle Fallet**, Concise (CH); **Olivier Grossenbacher**, Neuchâtel (CH); **Mattia Bertschi**, La Conversion (CH); **Elisa Olivero**, Giez (CH); **Kisae Kim**, Westmount (CA); **Valentin Chapuis**, La Chaux-de-Fonds (CH); **Bong Geun Kim**, La Prairie (CA); **Anna Vybornova**, Geneva (CH)

D754,350 S \* 4/2016 Eshita ..... D24/165  
D803,709 S \* 11/2017 Le Bihan ..... D10/70  
D804,335 S \* 12/2017 Bihan ..... D10/70  
D813,229 S \* 3/2018 Ling ..... D14/344  
D835,533 S \* 12/2018 Zheng ..... D10/70  
D838,194 S \* 1/2019 Mays ..... D10/70  
D840,043 S \* 2/2019 Li ..... D24/186  
D860,006 S \* 9/2019 Cotnoir ..... A61B 5/6831  
D10/32  
D865,546 S \* 11/2019 Kellock ..... A61B 5/02416  
D10/70  
D874,968 S \* 2/2020 Weng ..... D10/128  
2017/0340210 A1 \* 11/2017 Chuang ..... A61B 5/681  
2019/0090761 A1 \* 3/2019 Sawanoi ..... A61B 5/02225  
2020/0129122 A1 \* 4/2020 Mou ..... A61B 5/02416  
2020/0146625 A1 \* 5/2020 Nousiainen ..... A61B 5/6831

\* cited by examiner

(\*\*) Term: **15 Years**

*Primary Examiner* — George D. Kirschbaum

*Assistant Examiner* — Joseph J Kukella

(21) Appl. No.: **35/507,471**

(74) *Attorney, Agent, or Firm* — Pearne & Gordon LLP

(22) Filed: **Mar. 28, 2019**

(80) **Hague Agreement Data**

Int. Filing Date: **Mar. 28, 2019**

Int. Reg. No.: **DM/202530**

Int. Reg. Date: **Mar. 28, 2019**

Int. Reg. Pub. Date: **Oct. 4, 2019**

(51) **LOC (13) Cl.** ..... **10-04**

(52) **U.S. Cl.**  
USPC ..... **D24/165; D10/46**

(58) **Field of Classification Search**  
USPC ..... D10/30, 31, 32, 38; D14/341, 344;  
D24/165

CPC ..... A61B 5/021; A61B 5/02141; A61B  
5/022-02225

See application file for complete search history.

(56) **References Cited**

**U.S. PATENT DOCUMENTS**

D356,151 S \* 3/1995 Ishii ..... D24/165

D754,349 S \* 4/2016 Eshita ..... D24/165

(57) **CLAIM**

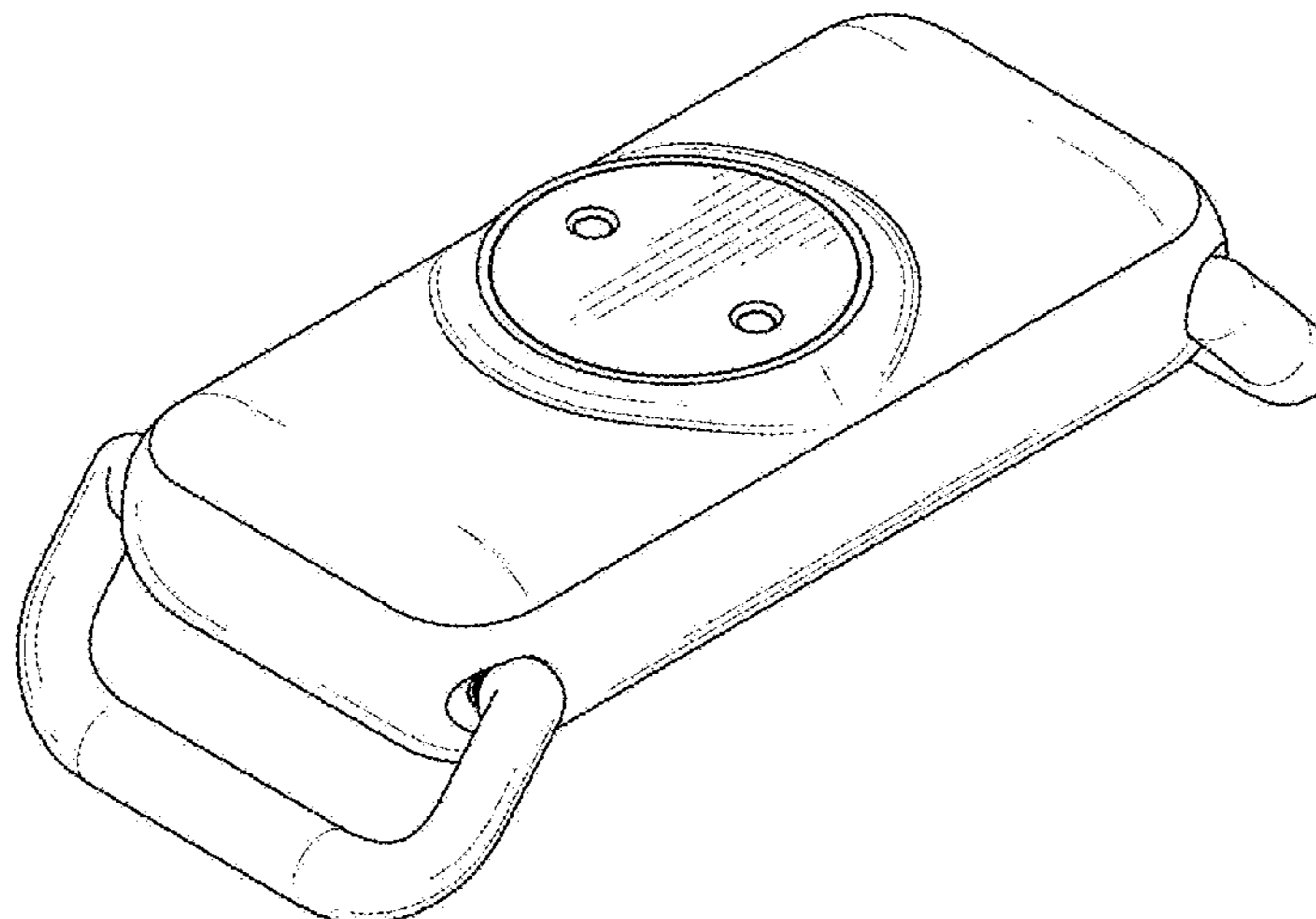
The ornamental design for a sensor device, as shown and described.

**DESCRIPTION**

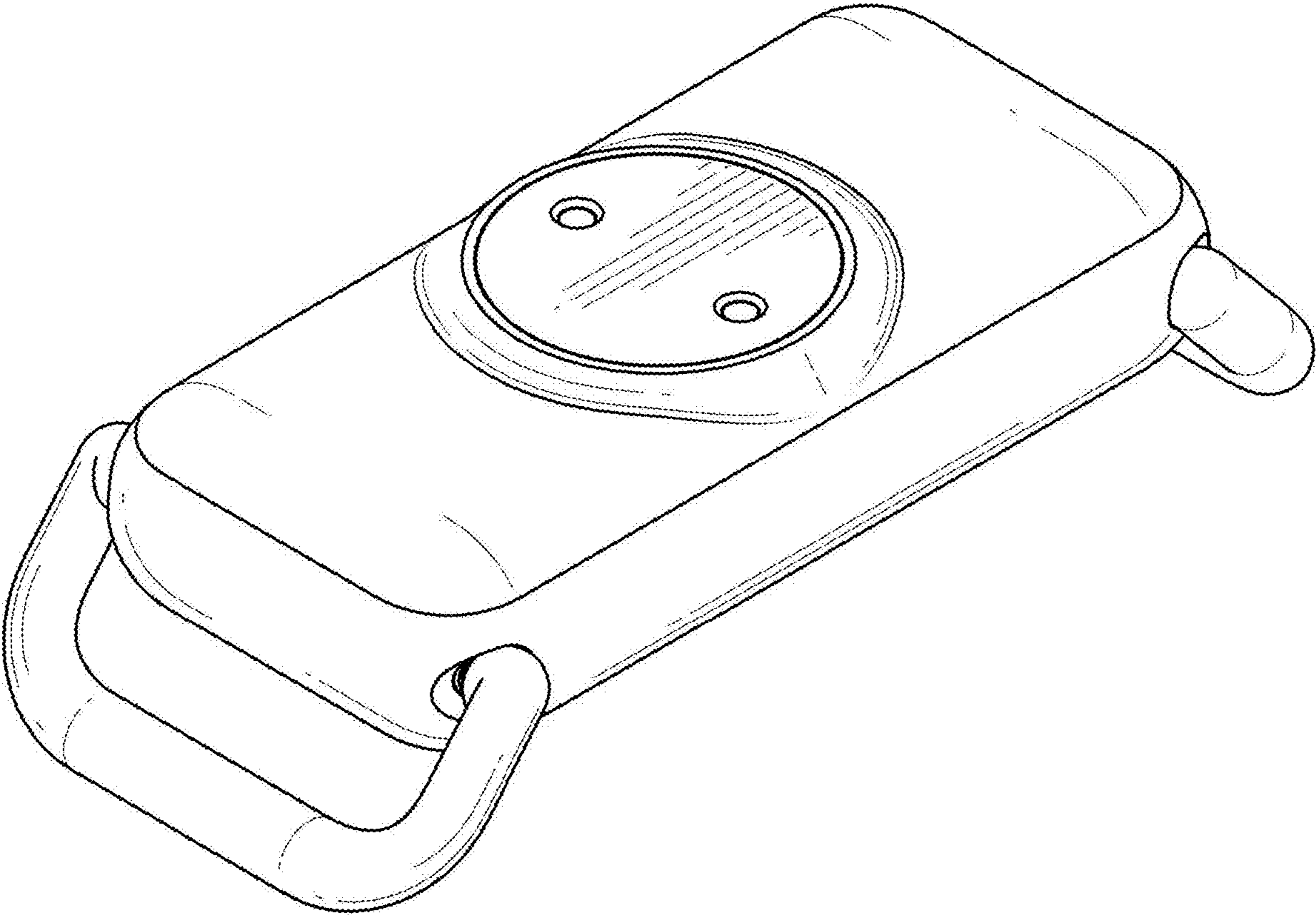
- 1. Sensor device
- 1.1 : Perspective
- 1.2 : Perspective
- 1.3 : Left
- 1.4 : Right
- 1.5 : Top
- 1.6 : Bottom
- 1.7 : Front
- 1.8 : Back
- 1.9 : Perspective view of the sensor device in environmental use.

The broken lines depict environment and form no part of the claimed design.

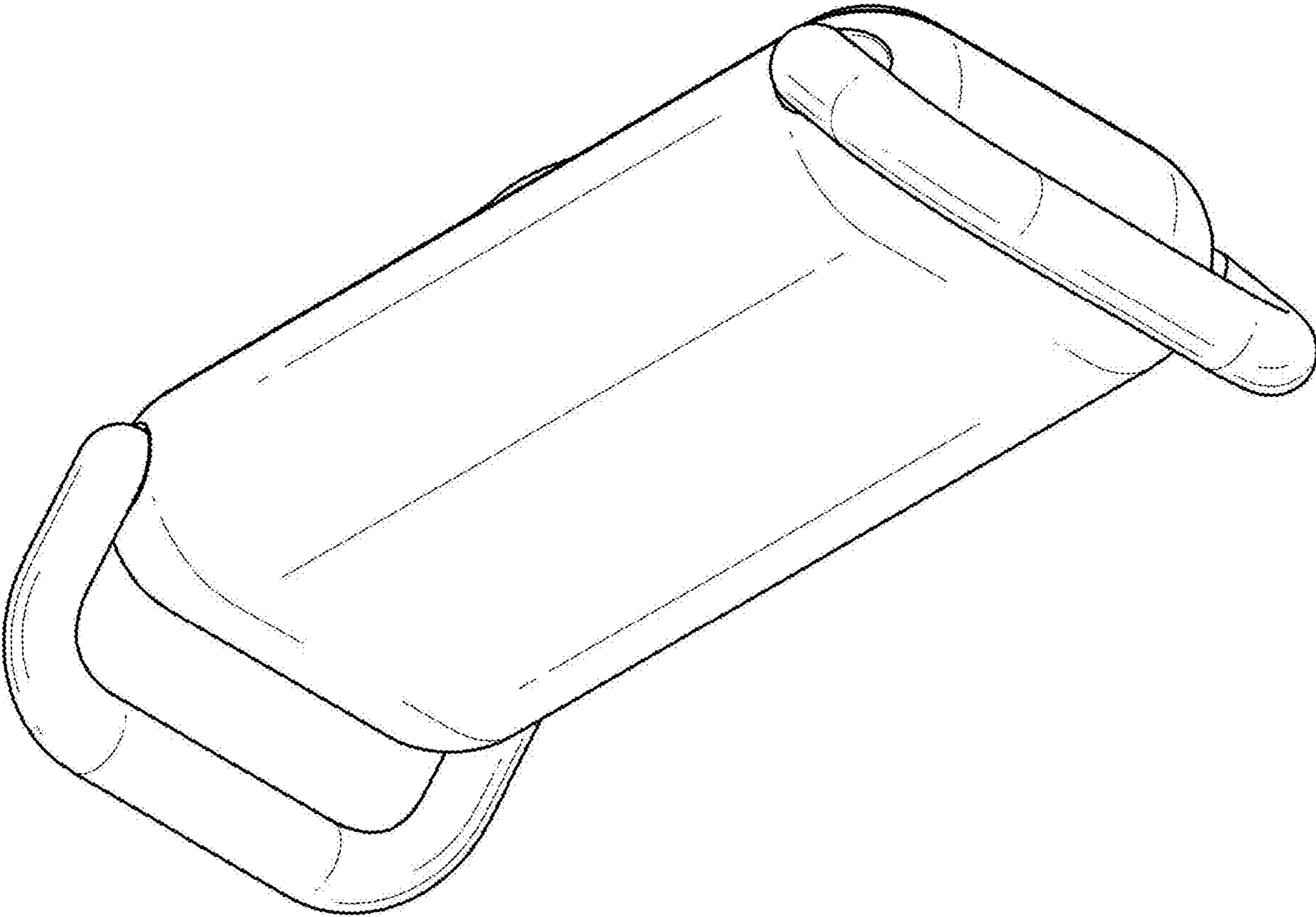
**1 Claim, 9 Drawing Sheets**



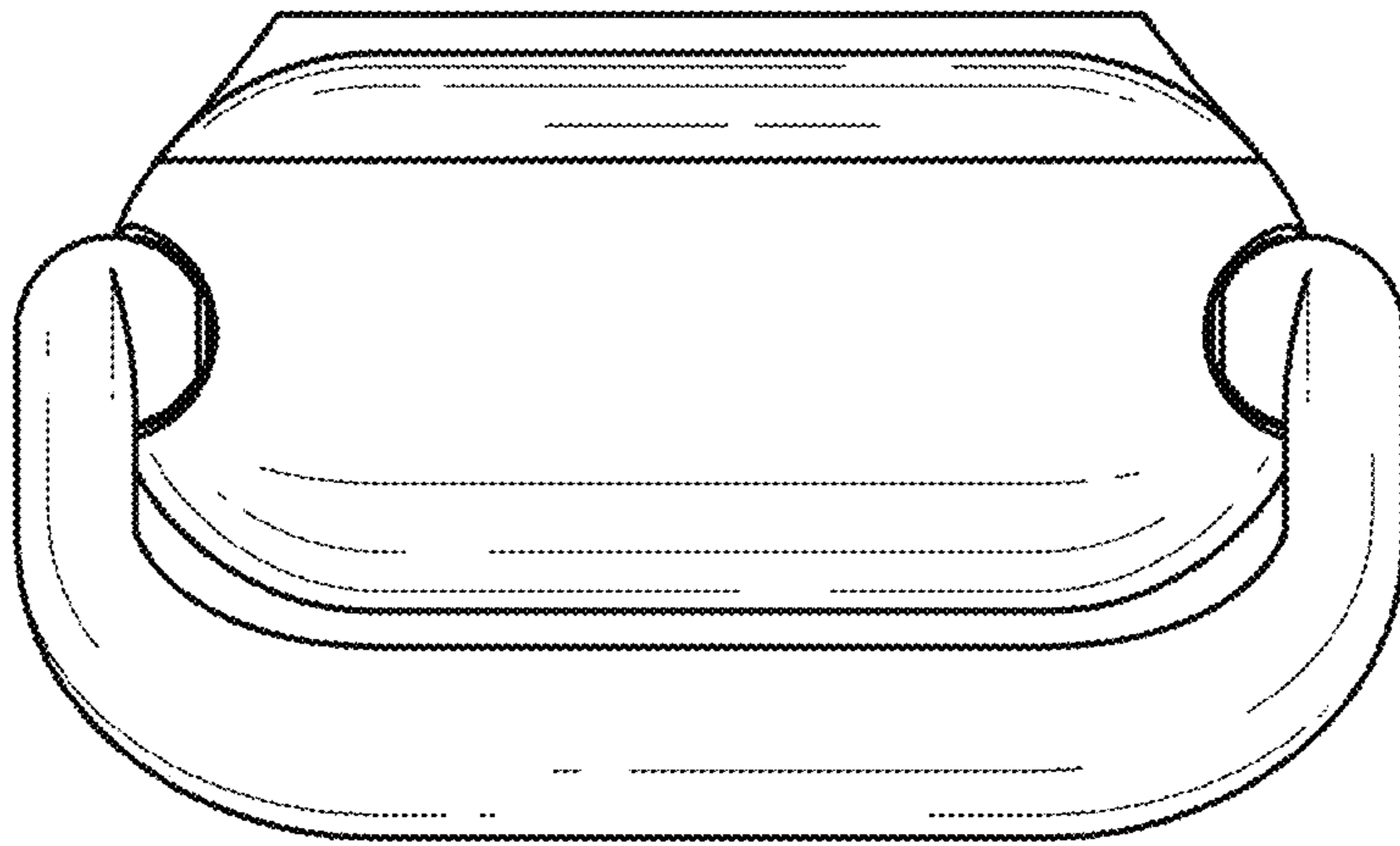
1.1



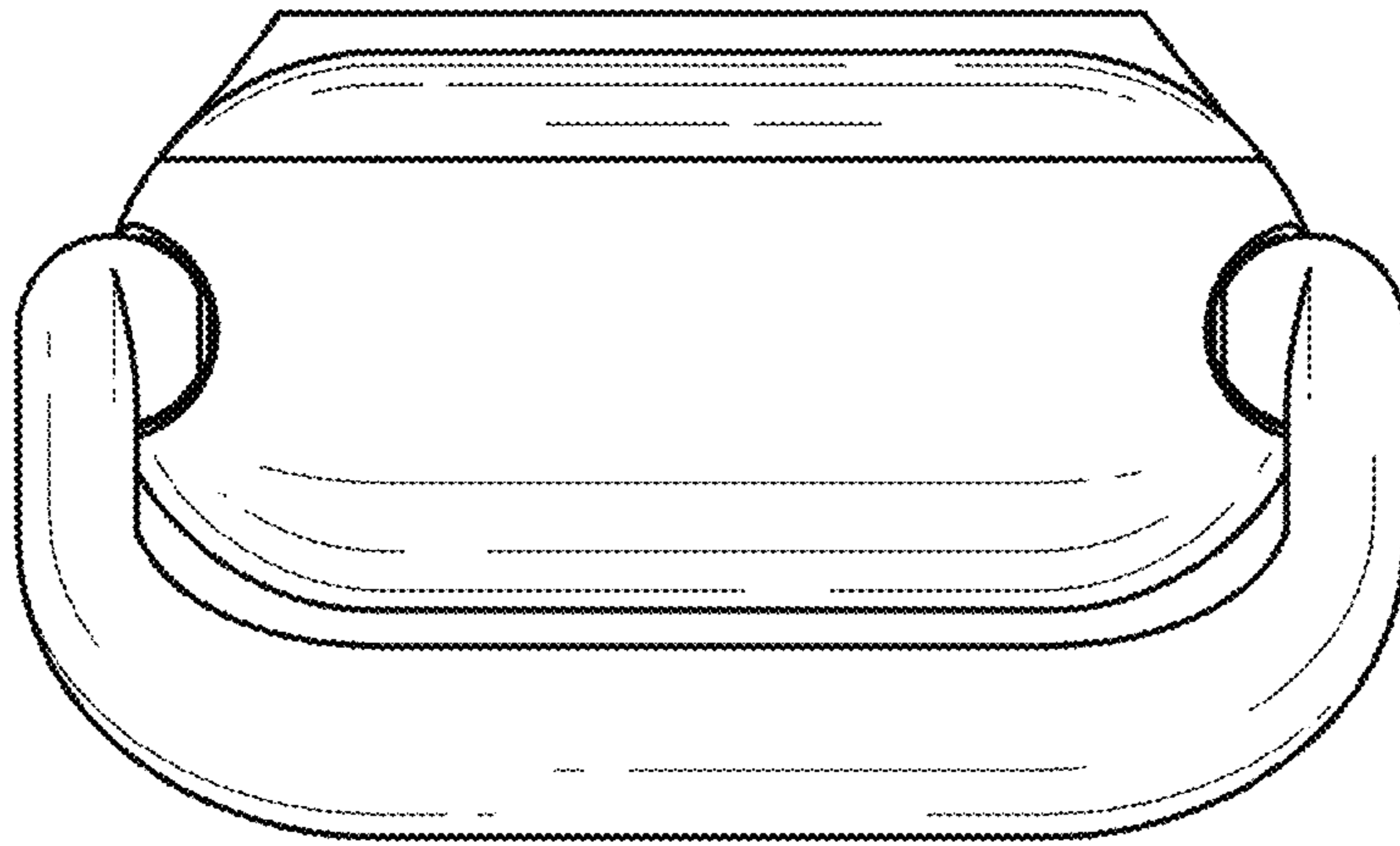
1.2



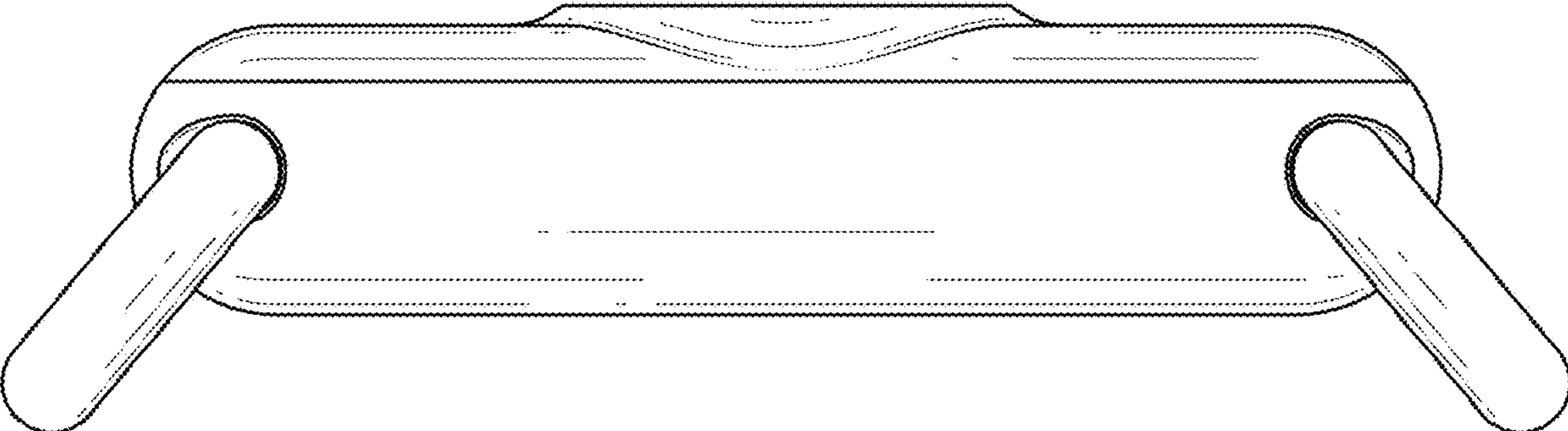
1.3



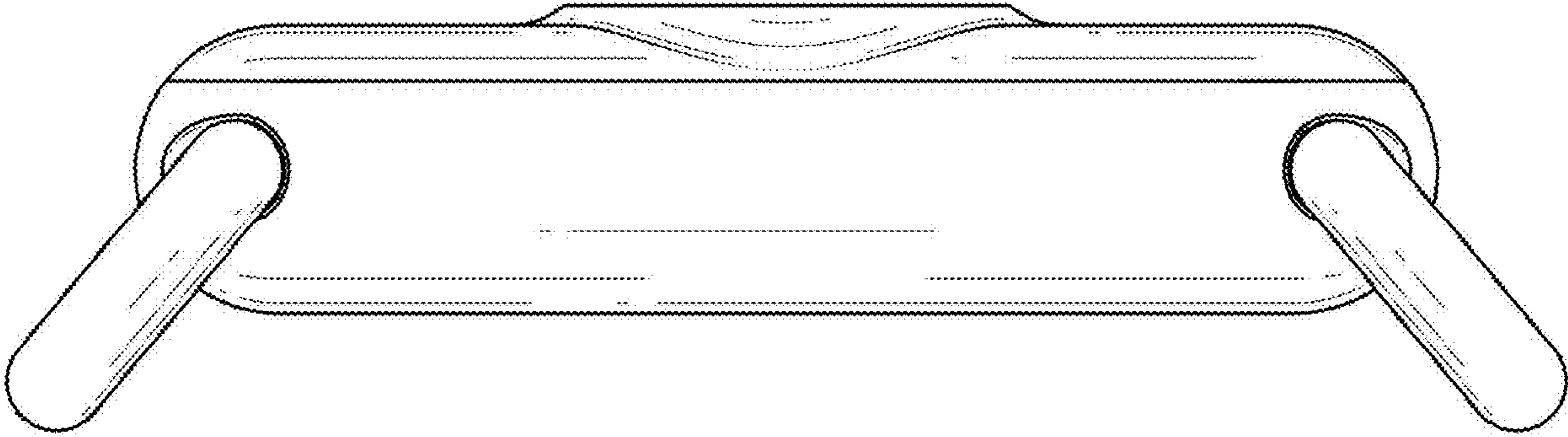
1.4



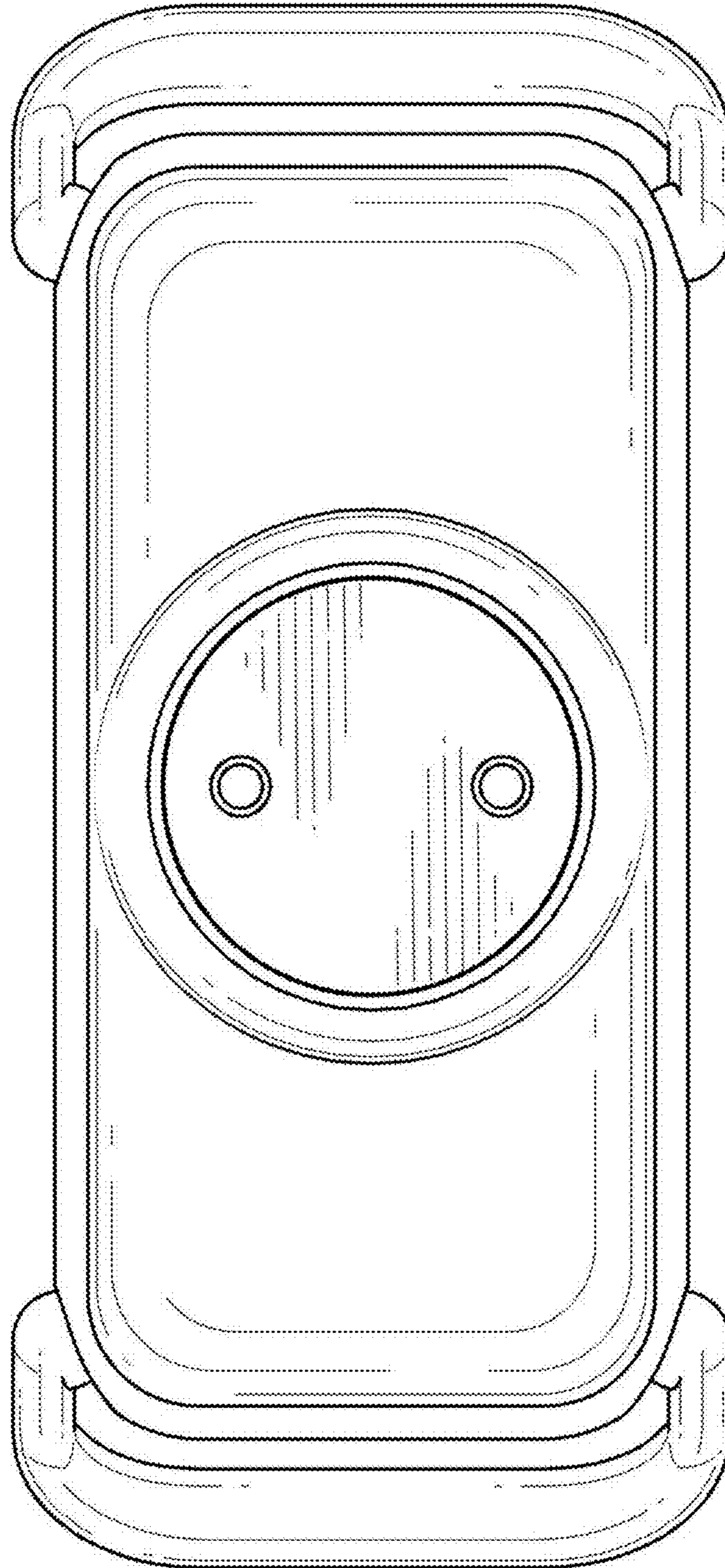
1.5



1.6

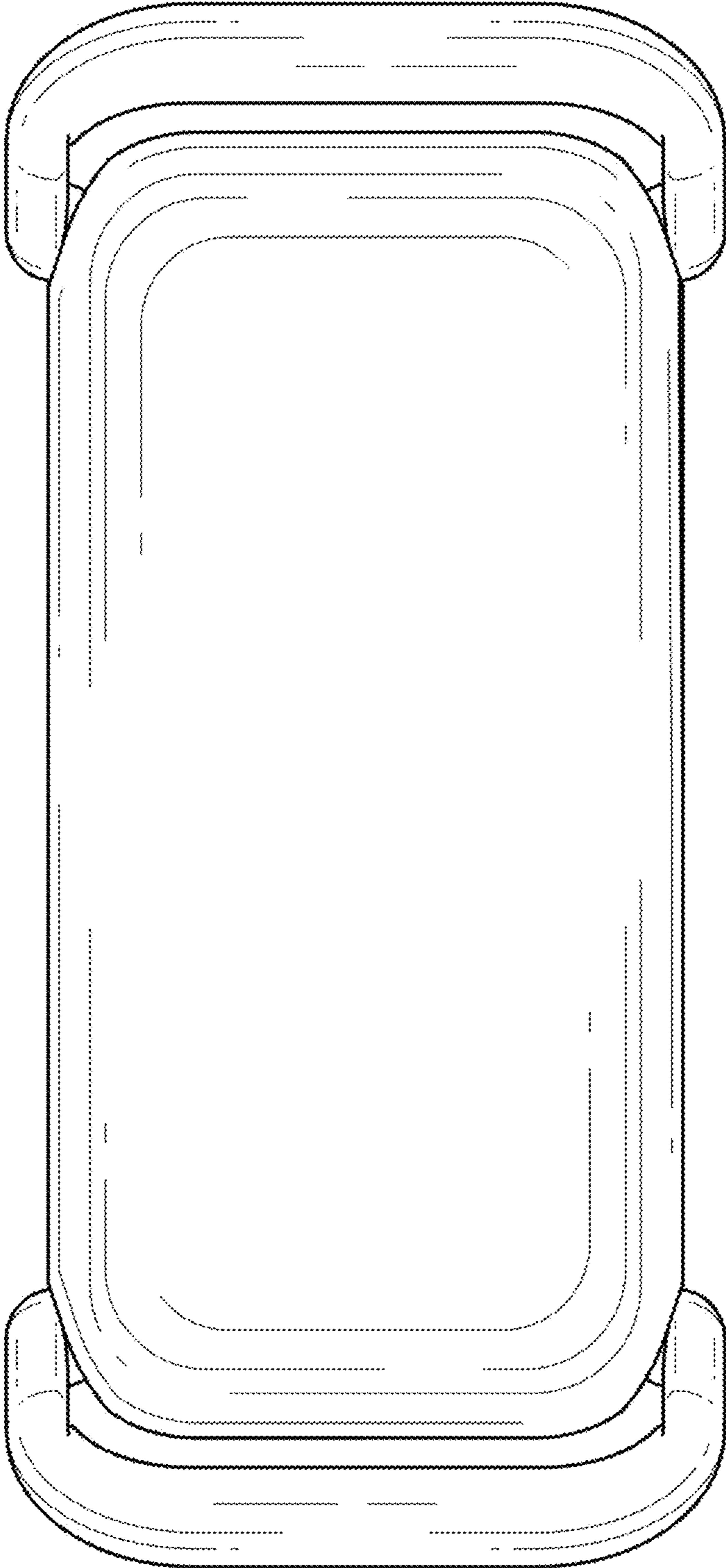


1.7





1.8



1.9

